



FISHER
MODEL 90-C



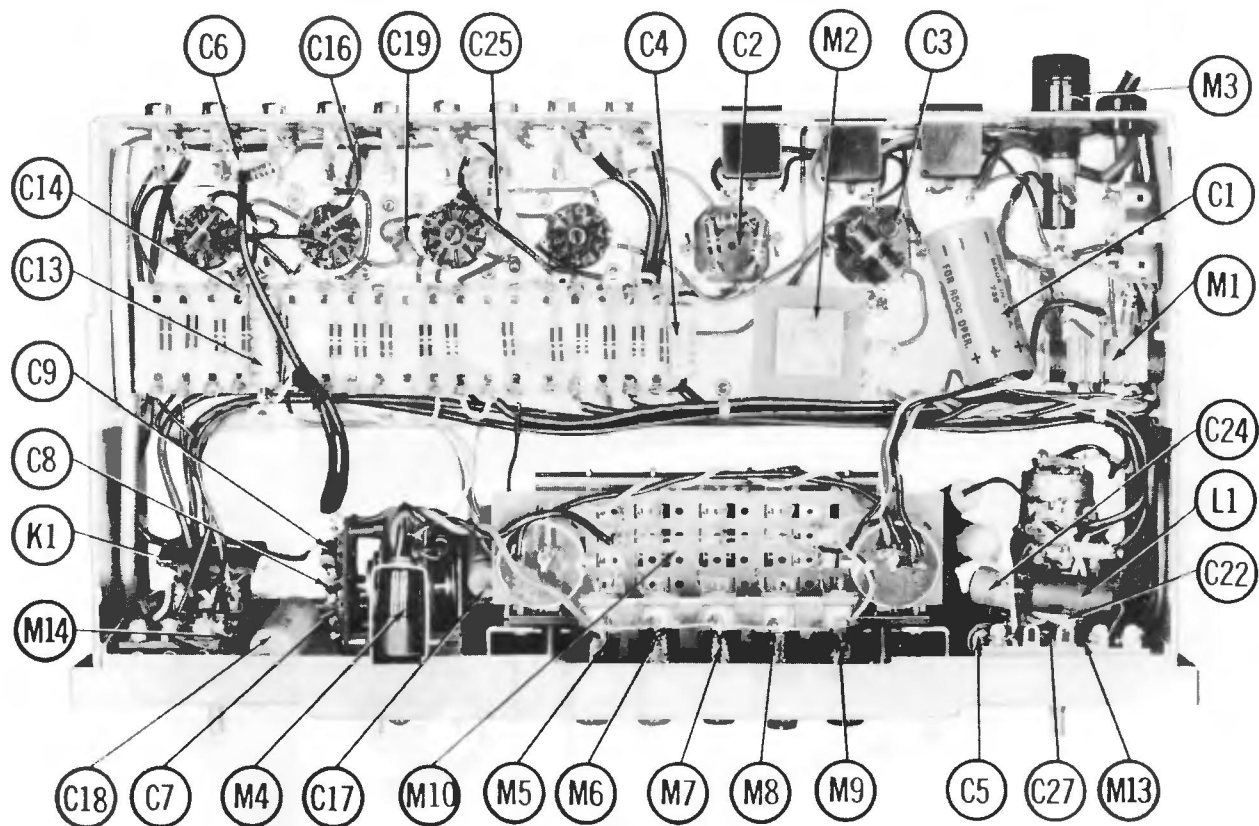
FISHER
MODEL 90-C

TRADE NAME	Fisher Model 90-C (Serial #10001-19999 Inclusive)		
MANUFACTURER	Fisher Radio Corp., 21-21 44th Drive, Long Island City 1, N. Y.		
TYPE SET	AC Operated 7 Channel Audio Preamplifier		
TUBES (Four)	Types 12AX7 Phono Preamplifier, 12AX7 Mic Preamp. -AF Amp., 12AX7 AF Amplifier, 12AU7 Cathode Follower		
POWER SUPPLY	105-125 Volts AC-50/60 Cycles	RATING	.23 Amp. @ 117 Volts AC (24 Watts)

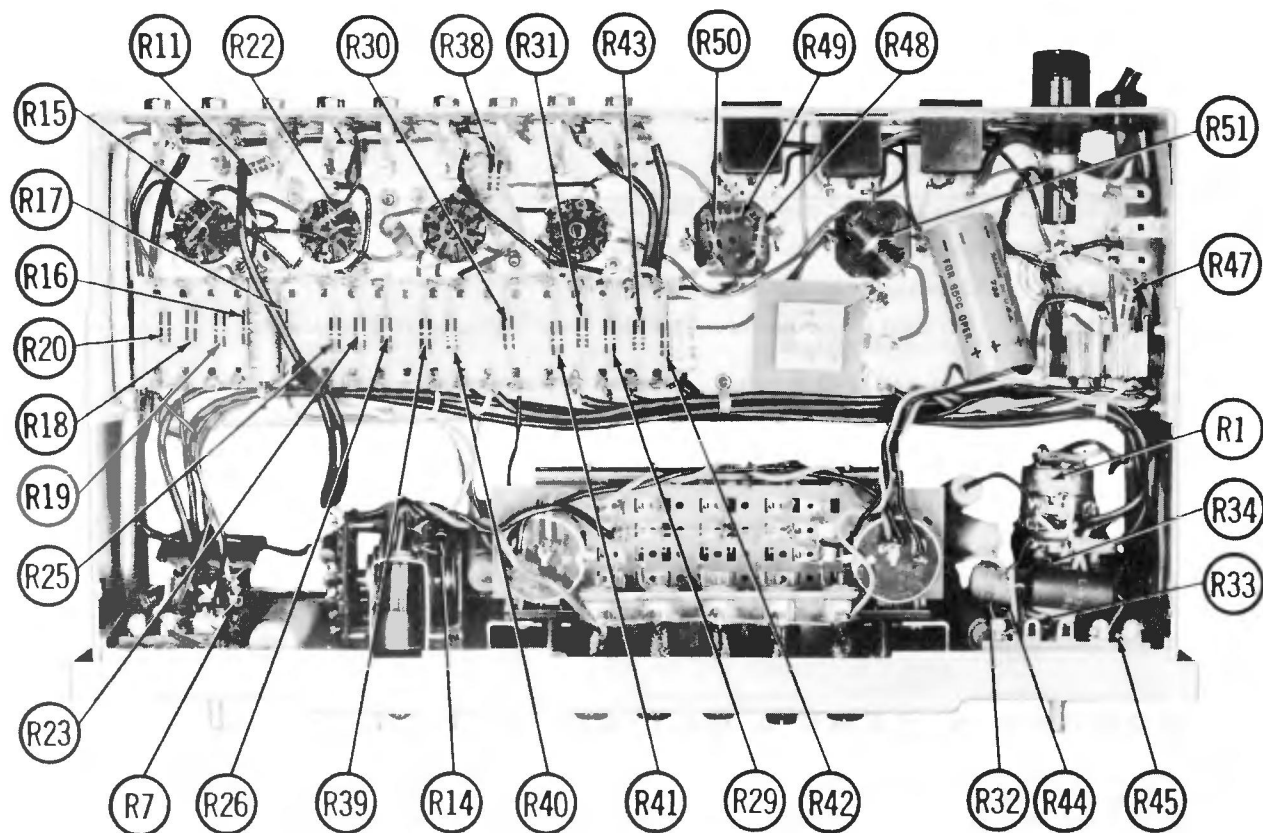
HOWARD W. SAMS & CO., INC. Indianapolis 6, Indiana

The listing of any available replacement part herein does not constitute in any case a recommendation, warranty or guaranty by Howard W. Sams & Co., Inc., as to the quality and suitability of such replacement part. The numbers of these parts have been compiled from information furnished to Howard W. Sams & Co., Inc., by the manufacturers of H705

the particular type of replacement part listed. Reproduction or use, without express permission, of editorial or pictorial content, in any manner, is prohibited. No patent liability is assumed with respect to the use of the information contained herein. © 1958 Howard W. Sams & Co., Inc., Indianapolis 6, Indiana. Printed in U.S. of America

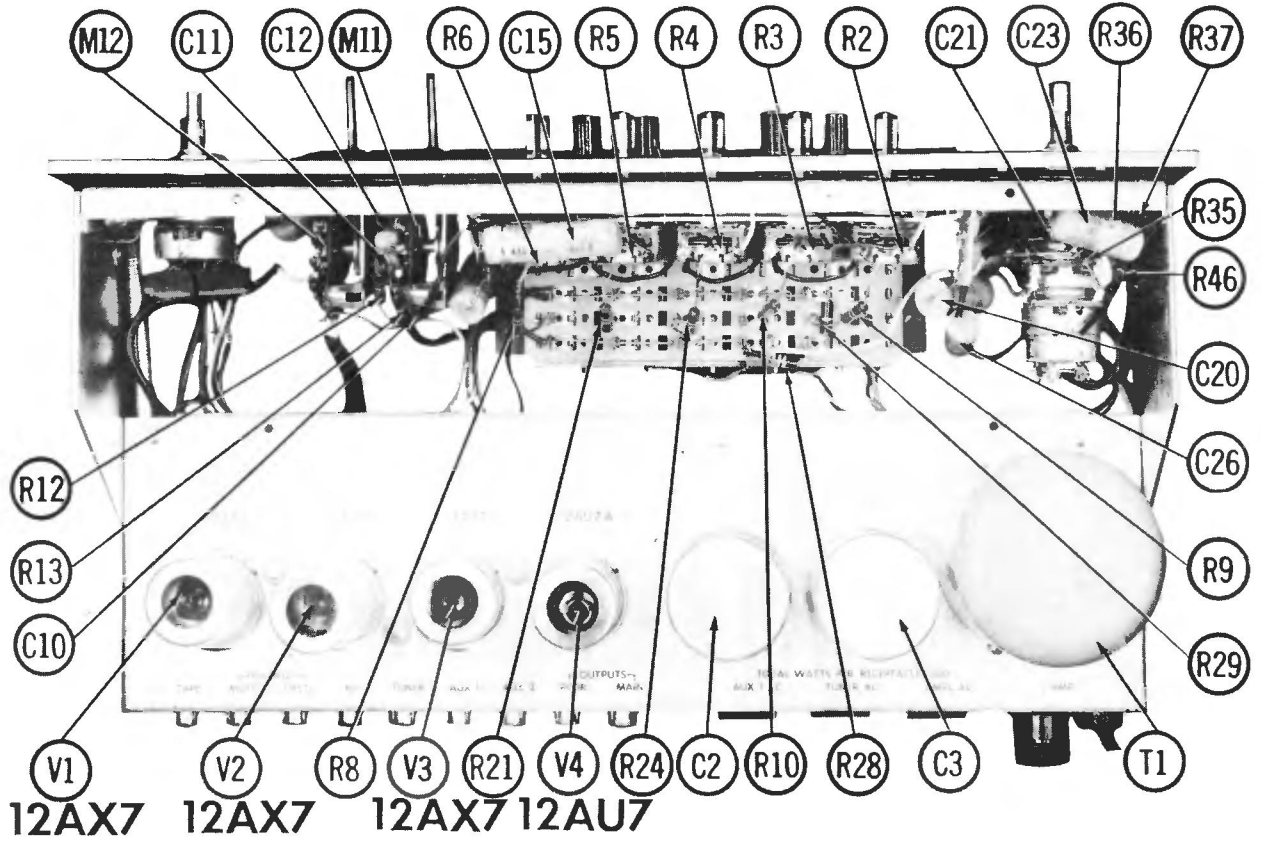


CHASSIS BOTTOM VIEW - CAPACITOR & MISC IDENT.



CHASSIS BOTTOM VIEW - RESISTOR IDENT

CHASSIS—TOP VIEW



PARTS LIST AND DESCRIPTIONS TUBES (GENERAL ELECTRIC, SYLVANIA)

ITEM No.	USE	TYPE	NOTES	ITEM No.	USE	TYPE	NOTES
V1	Phono Pre-amplifier	12AX7		V3	AF Amplifier	12AX7	
V2	Mic Pre-Amp. -AF Amp.	12AX7		V4	Cath. Follower	12AU7	

ELECTROLYTIC CAPACITORS

ITEM No.	RATING CAP.	VOLT.	REPLACEMENT DATA					SPRAGUE PART No.	
			FISHER PART No.	AEROVOX PART No.	CORNELL DUBILIER PART No.	MALLORY PART No.	PYRAMID PART No.		SANGAMO PART No.
C1	10	350	C-546-133	PRS350V10	BR1045	TC62	TD-10-450	MT-4510	TVA-1604
C2A	40	250	C-546-115		D0020				R2946
C3	40	250			BR4025				
C4	40	250	C-546-116						
C5	1000	30		PWE6025	NL25-6	TT6X25	ML30-6	MQ-0225	R2619
C6	1000	30	C-556-137	PRS450V1	BR145	TT250X1		MMT-4501	TE-1091
C7	25	250	C-546-126						R2702

* Not normally in distributors' stock. Available thru distributor on order to manufacturer.

FIXED CAPACITORS

Capacity values given in the rating column are in mfd. for Paper Capacitors, and in mmfd. for Mica and Ceramic Capacitors.

ITEM No.	RATING CAP.	VOLT.	REPLACEMENT DATA					NOTES	
			FISHER PART No.	AEROVOX PART No.	CENTRALAB PART No.	CORNELL DUBILIER PART No.	MALLORY PART No.		SPRAGUE PART No.
C8	100	100	CC21GP101M5	S1100	D6-101	L76T1	UC-531	5GA-T1	10%
C9	440	400	CC21GP44IK5	NPO-S1120	D6-121	L10T2		MS-312	10%
C10	200	200	CC21GP22IK5	NPO-S1220	D6-221	L10T22		MS-322	10%
C11	200	200	C68P203K2	P288N-02	DD-203	CUP252	GEM-16233	4TM-S2	10%
C12	.02	200	C68P203K2	BFD-01	DD-103	BYA51	GEM-16222	5HK-S1	10%
C13	.02	200	C68P203K2	BFD-01	DD-103	BYA51	GEM-412	4TM-S47	10%
C14	10000	400	C68P473M4	P488N-047	DF-503	CUB451	GEM-417	5HK-S1	10%
C15	.047	400	C68P473M4	BFD-01	DF-103	BYA51	GEM-417	4TM-S47	10%
C16	10000	400	C68P473M4	P488N-047	DF-103	CUB451	GEM-401	4TM-S47	10%
C17	.047	400	C68P473M4	BFD-01	DF-103	CUB451	GEM-401	4TM-S47	10%
C18	.1	400	C68P104M4	P488N-1	DF-104	CUB4P1	GEM-201	MS-33	10%
C19	300	200	CC21GP30IK5	P288N-1	DF-301	L10T3	GEM-201	2TM-F1	10%
C20	.1	200	CC21GP30IK5		DF-104	CUB2P1	GEM-1612	MS-347	10%
C21	470	200	CC21GP47IK5		D6-471	IR5D1	GEM-1612	MS-21	10%
C22	1000	200	C26GP102K5				GEM-16222		10%
C23	.02	200	C68P203K2						10%
C24	.02	200	C68P203K2						10%
C25	.0068	200	C68P62K2						10%
C26	.047	200	C68P473K2						10%
C27	.0022	200	C68P222K2						10%

CONTROLS

ITEM No.	RESISTANCE	WATTS	REPLACEMENT DATA				INSTALLATION NOTES		
			FISHER PART No.	CENTRALAB PART No.	CLAROSTAT PART No.	IRC PART No.		MALLORY PART No.	
R1A	Switch	100K	RS-546-152CX						Loudness Contour
C	25K	Switch							Master Volume, Tap @ 37.5K & 62.5K
R2A	500K	500K	R-50000-13	B-59	A47-500K-S	Q11-133	U50	U50	Power On-Off
R3A	500K	500K	R-50000-13	Not Req.	B-59	Q11-133	Not Req.	U50	Aux-1
R4A	500K	500K	R-50000-13	Not Req.	B-59	Q11-133	Not Req.	U50	Aux-2
R5A	500K	500K	R-50000-13	Not Req.	B-59	Q11-133	Not Req.	U50	Mic
R6A	500K	500K	R-50000-13	Not Req.	B-59	Q11-133	Not Req.	U50	Phono
R7A	500K	500K	R-50000-13	Not Req.	B-59	Q11-133	Not Req.	U50	Tuner
R8A	500K	500K	R-50000-13	Not Req.	B-59	Q11-133	Not Req.	U50	Bass
R9A	500K	500K	R-50000-13	Not Req.	B-59	Q11-133	Not Req.	U50	Treble, Tap @ 250K

* "STA-LOC" Equivalent: FA16L, 06587, RU55T254, IS1062.

PARTS LIST AND DESCRIPTIONS (Continued)

RESISTORS

All wattages 1/2 watt, or less, unless otherwise listed.

ITEM No.	RATING		FISHER PART No.	NOTES	FISHER PART No.	NOTES
	OHMS	WATT				
R8	220K		RC20BF224K		RC20BF272K	
R9	220K		RC20BF224K		RC20BF473K	
R10	220K		RC20BF224K		RC20BF103K	
R11	47K		RC20BF473K	Note 1	RC20BF103K	
R12	3.3meg		RC20BF335K		RC20BF103K	
R13	2.2meg		RC20BF225K		RC20BF103K	
R14	150K		RC20BF154K		RC20BF103K	
R15	2.2meg		RC20BF225K		RC20BF474K	
R16	220K		RC20BF224K		RC20BF104K	
R17	2700Q		RC20BF272K		RC20BF394K	
R18	220K		RC20BF224K		RC20BF224K	
R19	220K		RC20BF224K		RC20BF272K	
R20	2200Q		RC20BF224K		RC20BF272K	
R21	220K		RC20BF224K		RC20BF473K	
R22	15meg		RC20BF159K		RC20BF225K	
R23	220K		RC20BF224K		RC20BF103K	
R24	220K		RC20BF224K		RC20BF473K	
R25	100K		RC20BF104K		RC20BF332K	
R26	2700Q		RC20BF272K		RC20BF332K	
R27	1meg		RC20BF105K		RC20BF103K	
R28	390K		RC20BF394K		RC20BF103K	
R29	220K		RC20BF224K		RC40BF105K	

Note 1. Some versions may use 100K in this application (Part #RC20BF104K).

COILS

ITEM No.	USE	REPLACEMENT DATA				NOTES
		FISHER PART No.	Meissner PART No.	Miller PART No.	Rom PART No.	
L1	Tone Choke	L-629-153				1 Henry

TRANSFORMER (POWER)

ITEM No.	RATING	REPLACEMENT DATA				Triod PART No.
		FISHER PART No.	Halderson PART No.	Merit PART No.	Rom PART No.	
T1	390VCT 24V @.22A @.007A @.41A	T-546-114				

COMPONENT COMBINATIONS

ITEM No.	USE	DESCRIPTION	FISHER PART No.	REPLACEMENT DATA
K1	Tone Compensation		PC-552-105	

SELENIUM RECTIFIER

ITEM No.	RATING CURRENT (Measured)	REPLACEMENT DATA		NOTES
		FISHER PART No.	FEDERAL INTERNATIONAL PART No.	
M1	.007A	SR-3283	SARKES TARZIAN PART No.	
M2	.265A	SR-3078	1016	026-18Q1-Q 304B

FUSES

ITEM No.	TYPE	RATING	REPLACEMENT DATA			
			FISHER PART No.	LITTELFUSE PART No.	HOLDER	BUSS PART No.
M3	3AG	1A 250V	F-3297	X-1036	312, 500 (1/2A, 250V)	342001 AGC 1/2 HKP

MISCELLANEOUS

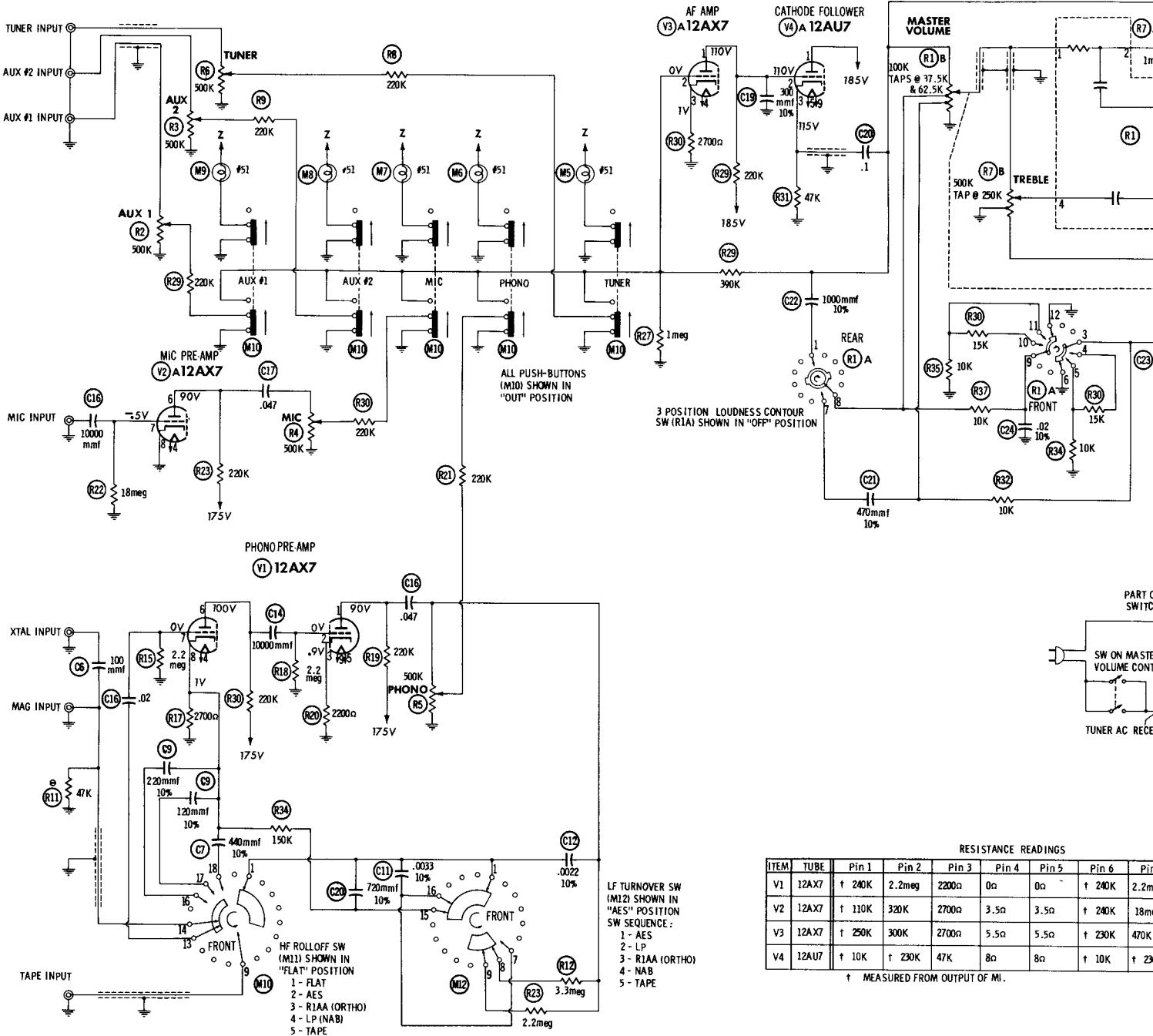
ITEM No.	PART NAME	FISHER PART No.	NOTES
M4	Lamp	1-50009-2	#51
M5	Lamp	1-50009-2	#51
M6	Lamp	1-50009-2	#51
M7	Lamp	1-50009-2	#51
M8	Lamp	1-50009-2	#51
M9	Lamp	1-50009-2	#51
M10	Switch Ass'y.	S-546-133	Five Channel Selector, Slide Type
M11	Switch	S-50022-4	High Frequency Roll-off Equalization, Rotary, Wafer Type
M12	Switch	S-50022-5	Low Frequency Turnover Equalization, Rotary, Wafer Type
M13	Switch	S-628-155	Presence, SPST, Slide Type
M14	Switch	S-628-155	Rumble Filter, SPST, Slide Type

CABINETS & CABINET PARTS

(When Ordering Cabinets & Cabinet Parts, Specify Model, Chassis & Color)

WIRING DATA

General-use Unshielded Hook-up Wire	Use BELDEN No. 8530 (Solid) Available in Ten Colors 8524 (Stranded) Available in Ten Colors
Power Card	Use BELDEN No. 1785-B (6 Ft. Length) 1725-K (7 1/2 Ft. Length)
Low-Loss Shielded Lead (Interconnecting)	Use BELDEN No. 6401
Phono Pick-up Arm Cable	Use BELDEN No. 6430 (Two Conductor - Twisted)



SEE PARTS LIST FOR ALTERNATE VALUE OR APPLICATION

DC COIL RESISTANCE VALUES UNDER ONE OHM NOT SHOWN ON SCHEMATIC DIAGRAM

- DC voltage measurements taken with vacuum tube voltmeter; AC voltages measured at 1000 ohms per volt.
- Socket connections are shown as bottom views.
- Measured values are from socket pin to common negative.
- Line voltage maintained at 117 volts for voltage readings.
- Nominal tolerance of component values makes possible a variation of ±15% in voltage and resistance readings.
- All controls at minimum, proper output load connected.

