

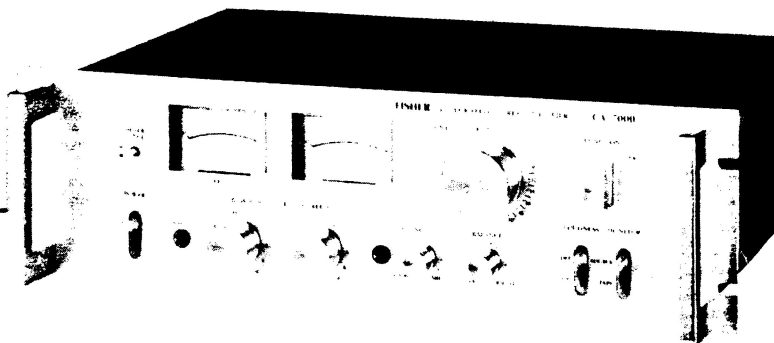
SERVICE MANUAL



FISHER

CA-7000

**Integrated
Stereo Amplifier
(EUROPE)**



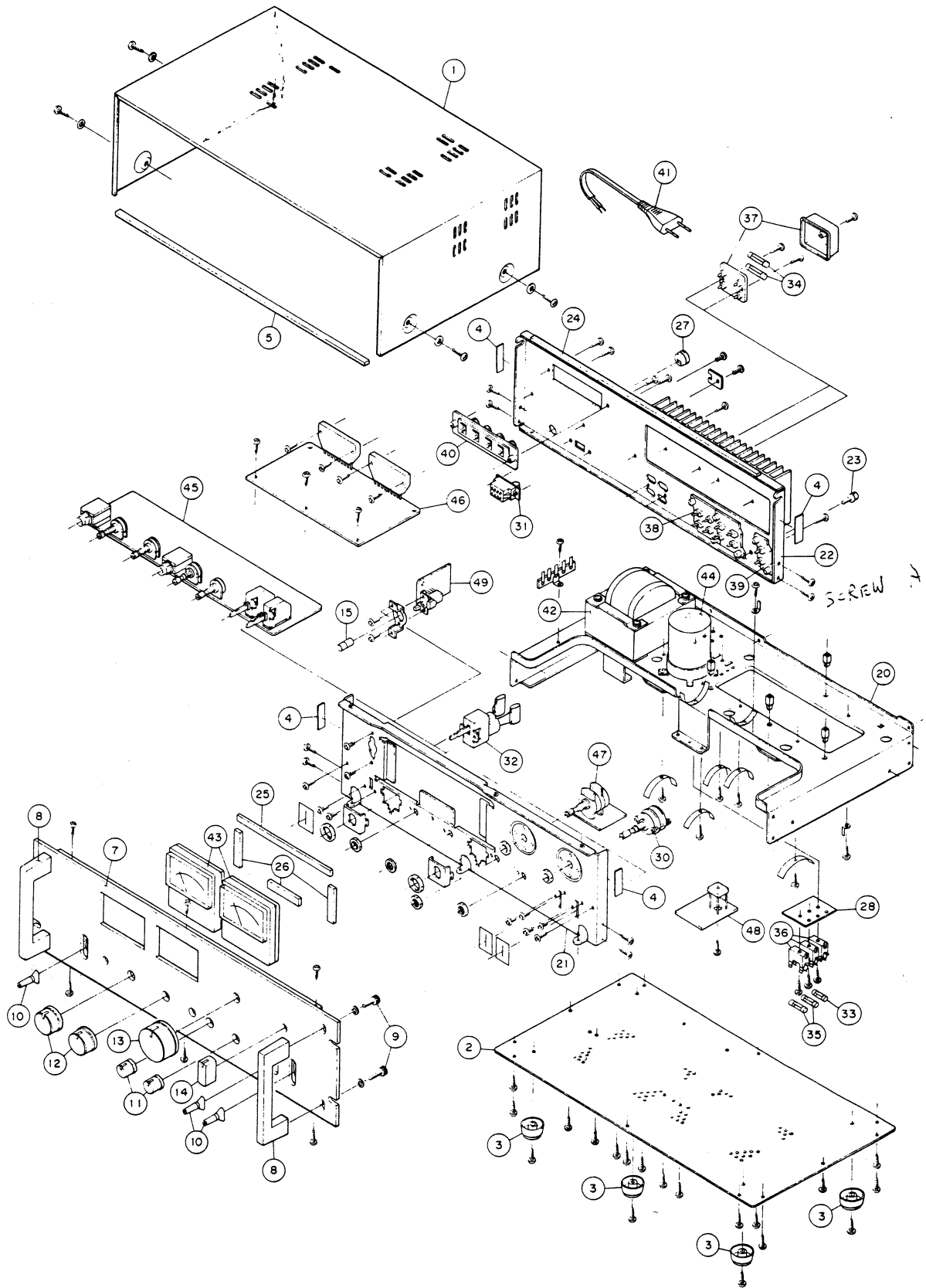
The first name in high fidelity

Nominal Specifications For Information Only.

AMPLIFIER		CA-7000
POWER AMPLIFIER SECTION		
Continuous RMS sine wave power per channel within stated band with at no more than stated distortion and with an 8 ohm loads.		42 W + 42 W
Power Band Width		15 Hz - 40 kHz
Harmonic Distortion	At effective output	0.3 %
	At 10W output	0.03 %
Intermodulation Distortion	At effective output	0.3 %
Speaker Damping 8 ohm		40
PRE AMPLIFIER SECTION		
Frequency Response 120 Hz - 20 kHz		+0 dB, -2 dB
Input Sensitivity and Impedance	Phono	2.5 mV/50 k ohm
	Tape Monitor	150 mV/70k ohm
	Tuner	150 mV/35k ohm
	Auxiliary	150 mV/35k ohm
	Mic (Impedance:600 ohms)	2.5 mV/6k ohm
	Tape PB	150 mV/35k ohm
Output Level	At TAPE REC	150 mV
RIAA Deviation		±0.5 dB
Signal to Noise Ratio	Phono	75 dB (IHF A network)
	Tuner	85 dB (IHF A network)
	Aux	85 dB (IHF A network)
Tone Control	Bass (50 Hz)	±10 dB
	Treble (20 kHz)	±10 dB
Loudness Contour (100 Hz/10 kHz)		+8 dB/+4 dB
GENERAL		
Power Source		AC 110/220 V 50 Hz
Power Consumption		170 W
Dimensions (W x H x D)		450 x 135 x 295 mm
Weight		6.8 kg (approx.)

Because Fisher products are subject to continuous improvement, Fisher reserves the right to modify, change, or alter any design or specifications without notice and without incurring any obligation. Fisher reserves the right to make changes and improvements upon its products without any obligation to install such changes upon any of its products previously manufactured.

EXPLODED VIEW OF CABINET AND CHASSIS



PARTS LIST

PACKING PARTS LIST

Ref. No.	Parts Number	Description
	131 6 1139 66901	Box Corrugate-EXP
	131 6 2119 01441	Bag Polyethylene-EXP (Set)
	131 0 6001 06000	Pad Assy (Bottom, Top)

ACCESSORIES PARTS LIST

Ref. No.	Parts Number	Description
	131 6 4119 68900	Explanatory Booklet (English, French, German)
	131 6 4519 14700	Guarantee Certificate

CABINET PARTS LIST

Ref. No.	Parts Number	Description
1	131 2 1410 16501	Cover
2	131 2 1105 20401	Plate Bottom
3	131 2 1801 14100	Leg
4	131 2 4208 26600	Spacer (Panel Front, Rear)
5	131 2 5205 15300	Cushion

APPEARANCE PARTS LIST

Ref. No.	Parts Number	Description
7	131 0 1016 26401	Panel, Decorative Assy
8	131 2 1701 12200	Handle
9	131 2 4201 18600	Screw (Handle)
10	131 0 1001 37601	Knob (Power, Loudness, Tape Monitor)
11	131 0 1001 42200	Knob (Balance, MIC VR)
12	131 0 1001 42300	Knob (Bass, Treble)
13	131 0 1001 42400	Knob (Main VR)
14	131 0 1001 42500	Knob (Function)
15	131 0 1001 43700	Knob (Meter Range SW)

CHASSIS PARTS LIST

Ref. No.	Parts Number	Description
20	* 131 2 3301 23200	Chassis
21	* 131 2 3305 23100	Panel Front
22	* 131 2 3306 25601	Panel Rear
23	131 2 4201 17800	Screw (GND)
24	* 131 2 5205 15300	Cushion (Panel Rear)
25	* 131 2 5205 18300	Cushion (Meter)
26	* 131 2 5205 18400	Cushion (Meter)
27	131 2 6111 14200	Bushing (AC Cord)
28	* 131 2 7103 30800	Label

ELECTRICAL PARTS LIST

Ref. No.	Parts Number	Description
30	4 2312 00450	Switch Rotary, Function
31	4 2319 21531	Switch Slide, 110 - 220V Select
32	4 2319 24382	Switch Lever, Power Switch
33	4 2349 20400	Fuse 0.63A, Pilot Lamp
34	4 2349 20570	Fuse 2.5AT, Protector
35	* 4 2349 21470	Fuse 5A, Trans Secondary
36	4 2359 21021	Fuse Holder, AC Fuse
37	4 2359 22031	Fuse Holder, Protector
38	4 2359 22710	Socket 4P, RCA
39	4 2359 23070	RCA 2P Jack, Phono Input
40	4 2379 21710	Terminal 4P, Speaker
41	* 4 2439 20521	Power Cord
42	4 2512 02420	Power Transformer 110/220V
43	4 5119 20970	Meter VU, Power Level
C01,02	C2EHRM103A	MP Con. 0.01 μ F 250V \pm 20%
44,C03	4 2239 21300	Electrolytic 6800x2 50WV
C04,05	C1HYDZ473A	Ceramic 0.047 μ F 50V +80,-20%
C06,07	C1EAEN106A	Electrolytic 10 μ F 25V \pm 30%
R01,02	R2HCPK102A	Solid 1k 1/2W \pm 10%
45	* 131 0 4001 88500	EQ, MIC, TONE P.C.B. Assy
46	* 131 0 4001 88600	POWER AMP P.C.B. Assy
47	* 131 0 4001 88700	VOLUME P.C.B. Assy
48	* 131 0 4001 88800	POWER SUPPLY P.C.B. Assy
49	* 131 0 4001 88900	METER P.C.B. Assy

*—Not a service part.

PARTS LIST

EQ, MIC, TONE P.C.B. Assy
1310 4001 88500

Ref. No.	Parts Number	Description	Ref. No.	Parts Number	Description
SW01	4 2312 00710	Switch Lever 6P, Tape Monitor			
SW02	4 2319 24393	Switch Lever 6P, Loudness			
VR01	4 2229 27070	VR 50k-Bx2, MIC Mixing			
VR02	4 2229 27080	VR 500k-W, Balance			
VR03	4 2229 27050	VR 100k-Cx2, Bass			
VR04	4 2229 27050	VR 100k-Cx2, Treble			
	4 2359 23400	Jack Headphone			
	4 2359 23410	Jack MIC			
CAPACITORS			RESISTORS		
C01,02	C1HRE-105AL	Electrolytic 1 μ F 50V	R01,02	R2EDSJ102A	Carbon 1k 1/4W \pm 5%
03,04			R03,04	R2EDSJ224A	Carbon 220k 1/4W \pm 5%
C05,06	C1HCSK221SL	Ceramic 220 pF 50V \pm 10%	R05,06	R2EDSJ683A	Carbon 68k 1/4W \pm 5%
C07,08	C1ERB-476A	Electrolytic 47 μ F 25V	R07,08	R2EDSJ222A	Carbon 2.2k 1/4W \pm 5%
C09,10	C1HFAJ153A	Mylar 0.015 μ F 50V \pm 5%	R09,10	R2EDSJ331A	Carbon 330 1/4W \pm 5%
C11,12	C1HFAJ432A	Mylar 0.0043 μ F	R11,12	R2EDSJ224A	Carbon 220k 1/4W \pm 5%
C13,14	C1ERB-476A	Electrolytic 47 μ F 25V	R13,14	R2EDSJ124A	Carbon 120k 1/4W \pm 5%
C15,16	C1HRB-105A	Electrolytic 1 μ F 50V	R15,16	R2EDSJ224A	Carbon 220k 1/4W \pm 5%
C17	C1EUBM474A	Sint. Alu. 0.47 μ F 25V \pm 20%	R17,18	R2EDSJ183A	Carbon 18k 1/4W \pm 5%
C18	C1HCSK470SL	Ceramic 47 p 50V \pm 10%	R19,20	R2EDSJ123A	Carbon 12k 1/4W \pm 5%
C19	C1HCSK221SL	Ceramic 220 pF 50V \pm 10%	R21,22	R2EDSJ472A	Carbon 4.7k 1/4W \pm 5%
C20	C1EUBM104A	Sint. Alu. 0.1 μ F 25V \pm 20%	R23,24	R2EDSJ102A	Carbon 1k 1/4W \pm 5%
C21	C1HCSK471SL	Ceramic 470 pF 50V \pm 10%	R25,26	R2EDSJ104A	Carbon 100k 1/4W \pm 5%
C22	C1CRB-106A	Electrolytic 10 μ F 16V	R27	R2EDSJ102A	Carbon 1k 1/4W \pm 5%
C23,24	C1EUBM104A	Sint. Alu. 0.1 μ F 25V \pm 20%	R28	R2EDSJ472A	Carbon 4.7k 1/4W \pm 5%
C25,26	C1HCSK820SL	Ceramic 82 pF 50V \pm 10%	R29	R2EDSJ224A	Carbon 220k 1/4W \pm 5%
C27,28	C1HRB-105A	Electrolytic 1 μ F 50V	R30	R2EDSJ184A	Carbon 180k 1/4W \pm 5%
29,30			R31	R2EDSJ154A	Carbon 150k 1/4W \pm 5%
C31,32	C1HCSK271SL	Ceramic 270 pF 50V \pm 10%	R32	R2EDSJ153A	Carbon 15k 1/4W \pm 5%
C33,34	C1HFAK273A	Mylar 0.027 μ F 50V \pm 10%	R33	R2EDSJ223A	Carbon 22k 1/4W \pm 5%
C35,36	C1ERB-106A	Electrolytic 10 μ F 25V	R34	R2EDSJ102A	Carbon 1k 1/4W \pm 5%
37,38			R35,36	R2EDSJ153A	Carbon 15k 1/4W \pm 5%
C39,40	C1HFAK333A	Mylar 0.033 μ F 50V \pm 10%	R37,38	R2EDSJ104A	Carbon 100k 1/4W \pm 5%
C41,42	C1HFAK222A	Mylar 0.0022 μ F 50V \pm 10%	R39,40	R2EDSJ103A	Carbon 10k 1/4W \pm 5%
C43,44	C1HFAK224A	Mylar 0.22 μ F 50V \pm 10%	R41,42	R2EDSJ474A	Carbon 470k 1/4W \pm 5%
C45,46	C1HFAK223A	Mylar 0.022 μ F 50V \pm 10%	R43,44	R2EDSJ223A	Carbon 22k 1/4W \pm 5%
C47	C1VRB-107A	Electrolytic 100 μ F 35V	R45,46	R2EDSJ273A	Carbon 27k 1/4W \pm 5%
C48,49	C1VRB-108A	Electrolytic 1000 μ F 35V	R47,48	R2EDSJ152A	Carbon 1.5k 1/4W \pm 5%
C50	C1HRB-106A	Electrolytic 10 μ F 50V	R49,50	R2EDSJ104A	Carbon 100k 1/4W \pm 5%
C51	C1HRB-476A	Electrolytic 47 μ F 50V	R51,52	R2EDSJ102A	Carbon 1k 1/4W \pm 5%
C52	C1ERB-226A	Electrolytic 22 μ F 25V	R53,54	R2EDSJ682A	Carbon 6.8k 1/4W \pm 5%
			R55,56	R2EDSJ123A	Carbon 12k 1/4W \pm 5%
			R57,58	R2EDSJ823A	Carbon 82k 1/4W \pm 5%
			R59,60	R2EDSJ182A	Carbon 1.8k 1/4W \pm 5%
			61		
			R63,64	R2EDSJ561A	Carbon 560 1/4W \pm 5%
			R65,66	R3AXB331A	Oxide Metal Film 330 1W \pm 5%
			R67	R2HZPK101A	Fuse 100 1/2W \pm 10%
			R68,69	R2HZPK471A	Fuse 470 1/2W \pm 10%
			R70	R2EDSJ223A	Carbon 22k 1/4W \pm 5%
			R71	R2EDSJ182A	Carbon 1.8k 1/4W \pm 5%
			R72	R2EDSJ563A	Carbon 56k 1/4W \pm 5%
			R73,74	R2EDSJ103A	Carbon 10k 1/4W \pm 5%
			75,76		
SEMICONDUCTORS					
D01	DCC-10D1---NA	Diode, 10D1			
D02	205 5 9040 44210	Diode, DS-442			
D03	DJZ-WZ-230	Zener Diode, 23V			
IC01	IYY-BA301	IC BA301, MIC AMP			
Q01,02	TMZ-2SA906--G	TR 2SA906			
Q03,04	203 5 5151 57170	TR 2SC1571 G,H			
05,06					
Q07,08	203 5 5100 53660	TR 2SC536 F,G			

PARTS LIST

POWER AMP P.C.B. Assy 1310 4001 88600

Ref. No.	Parts Number	Description
	131 2 6201 21804	Plate Heat Sink
CAPACITORS		
C01,02	C1ERB-106A	Electrolytic 10 μ F 25V
C03,04	C1HCSK471SL	Ceramic 470 pF 50V \pm 10%
C07,08 09,10	C1HRB-107A	Electrolytic 100 μ F 50V
C11,12	C1HCSK101SL	Ceramic 100 pF 50V \pm 10%
C13,14	C1ARB-107A	Electrolytic 100 μ F 10V
C15,16	C1HFAK104A	Mylar 0.1 μ F 50V \pm 10%

SEMICONDUCTORS

D01,02	DJJ-WZ-210	Diode, WZ-210
D03,04 05,06 07,08	205 5 9040 44210	Diode, DS-442
IC01,02	206 5 6040 04010	IC, STK-0040, Power AMP
Q01,02	203 5 6870 54546	TR 2SD545 D,E,F,G
Q03,04	TMM-2SA798--F	TR 2SA798 F
Q05,06 07,08	203 5 5151 57170	TR 2SC1571 G,H
Q09,10	203 5 6920 43840	TR 2SD438
Q11,12	203 5 6930 56040	TR 2SB560 D,E

RESISTORS

R01,02	R2EDZJ102APA	Carbon	1k	1/4W	\pm 5%
R03,04	R2EDZJ154APA	Carbon	150k	1/4W	\pm 5%
R05,06	R2EDZJ222APA	Carbon	2.2k	1/4W	\pm 5%
R07,08	R2EDZJ223APA	Carbon	22k	1/4W	\pm 5%
R09,10 11,12	R2EDZJ102APA	Carbon	1k	1/4W	\pm 5%
R13,14	R2EDZJ561APA	Carbon	560	1/4W	\pm 5%
R15,16	R2EDZJ103APA	Carbon	10k	1/4W	\pm 5%
R17,18	R2EDZJ151APA	Carbon	150	1/4W	\pm 5%
R19,20	R2EDZJ102APA	Carbon	1k	1/4W	\pm 5%
R21,22	R2EDZJ221APA	Carbon	220	1/4W	\pm 5%
R23,24	R2EDZJ563APA	Carbon	56k	1/4W	\pm 5%
R25,26	R2EDZJ562APA	Carbon	5.6k	1/4W	\pm 5%
R27,28 29,30	R2HZPK100A	Fuse	10	1/2W	\pm 10%
R31,32 33,34	R3WEIKR47A	Cement	0.47	3W	
R35,36	R2EDZJ472APA	Carbon	4.7k	1/4W	\pm 5%
R37,38	R2HCPK100A	Solid	10	1/2W	\pm 10%

VOLUME P.C.B. Assy 1310 4001 88700

Ref. No.	Parts Number	Description
VR01	4 2229 27060	VR 100k-Ax2

POWER SUPPLY P.C.B. Assy 1310 4001 88800

Ref. No.	Parts Number	Description
CAPACITORS		
C01,02	C1HRB-106A	Electrolytic 10 μ F 50V
C03,04 05,06	C2HYSP103A	Ceramic 0.01 μ F 500V +100,-0%

SEMICONDUCTORS

D01,02	DJZ-WZ270	Diode, WZ270
D03	DDD-S4VB20	Bridge Diode, S4VB20

RESISTORS

R01	R2HZPK471A	Fuse	470	1/2W	\pm 10%
R02	R2HZPK561A	Fuse	560	1/2W	\pm 10%

METER P.C.B. Assy 1310 4001 88900

Ref. No.	Parts Number	Description
SW04	4 2312 00480	Push Switch 1 Key

CAPACITORS

C01,02	C1HRB-474A	Electrolytic 0.47 μ F	50V
--------	------------	---------------------------	-----

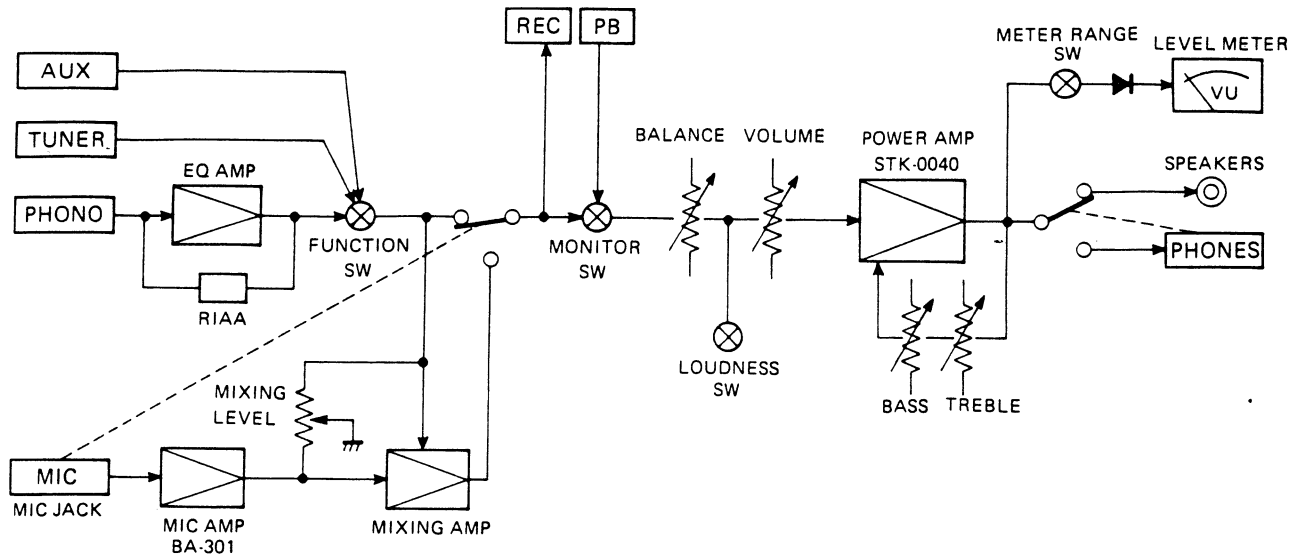
SEMICONDUCTORS

D01,02 03,04	205 5 9040 44210	Diode, DS-442
D05,06	202 5 9110 18820	Diode 1S 188FM1

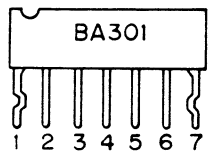
RESISTORS

R01,02	R2EDZJ223APA	Carbon	22k	1/4W	\pm 5%
R03,04	R2EDZJ152APA	Carbon	1.5k	1/4W	\pm 5%
R05,06	R2EDZJ123APA	Carbon	12k	1/4W	\pm 5%

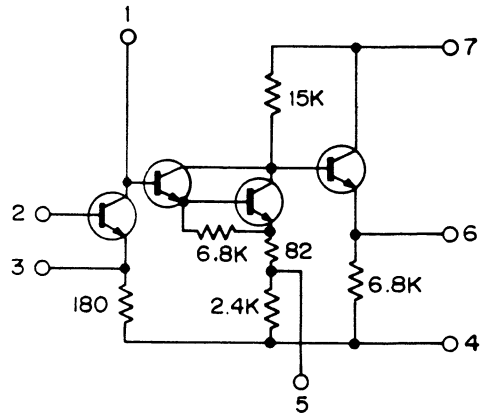
FUNCTIONAL BLOCK DIAGRAM



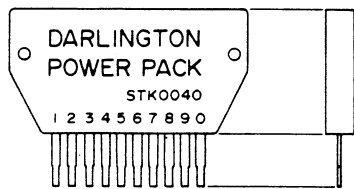
MIC AMP IC BA301 EQUIVALENT CIRCUIT



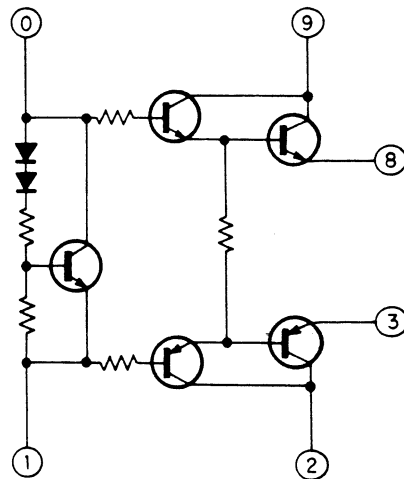
(FRONT VIEW)



POWER AMP IC STK0040 EQUIVALENT CIRCUIT



(FRONT VIEW)



Bezeichnung/Description

SERVICE MANUAL

Teile-Nr./Parts No.

WM2894

Menge/Quantity

1

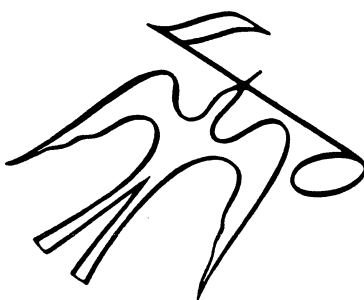
Lagerort

37E06

LS-Nr.

531566 / 9

FISHER HiFi Service GmbH



FISHER

Service und Auslieferungslager:
FISHER HiFi Europa, Vertriebs-GmbH
Schönstraße 80, 8000 München 90
Telefon 089/652011

Wenden Sie sich bitte mit technischen
Fragen an diese Adresse

Verwaltung und Verkauf:
FISHER HiFi Europa, Vertriebs-GmbH
Widenmayerstraße 25, 8000 München 22
Telefon 089/224851, Telex 5-24033 D

PRINTED IN JAPAN
78/Jan. **WM-2894**