

SERVICE MANUAL



FISHER®

INTEGRATED STEREO AMPLIFIER

CA-856

(U.S.A.)



132 311 21

SPECIFICATIONS

POWER AMPLIFIER SECTION

Minimum RMS sine wave power per channel within stated bandwidth at no more than stated distortion and with 8-ohm load		100 Watts
Power Bandwidth	20 Hz – 20 kHz	
Total Harmonic Distortion		0.09 %
I.M. Distortion		0.09 %
Speaker Damping		> 20

PREAMPLIFIER SECTION

Frequency Response		
Phono (RIAA)		±1 dB
Video/Aux (20 Hz – 20 kHz)		±1 dB
Input Sensitivity and Impedance		
Phono	2.5 mV/50 kΩ	
Tape Monitor	150 mV/50 kΩ	
Tuner/Video/Aux/CD	150 mV/50 kΩ	
Phono Max. Input Capability	150 mV	

High Filter (Above 7 kHz)	–6 dB/Oct.
Subsonic Filter (Below 30 Hz)	–12 dB/Oct.
Loudness Contour (100 Hz/10 kHz)	+8 dB/+4 dB
Hum & Noise (IHF Short Circuit, A Network)	
Phono	65 dB
Tape Monitor	85 dB
Tuner/Video/Aux/CD	85 dB

GENERAL

Power Requirements (50/60 Hz)	120 VAC ±10 %
Power Consumption	470 Watts
AC Outlets	1
Dimensions (W x H x D)	17.33" x 4.25" x 12.4"
Weight (approx.)	16.5 lbs.

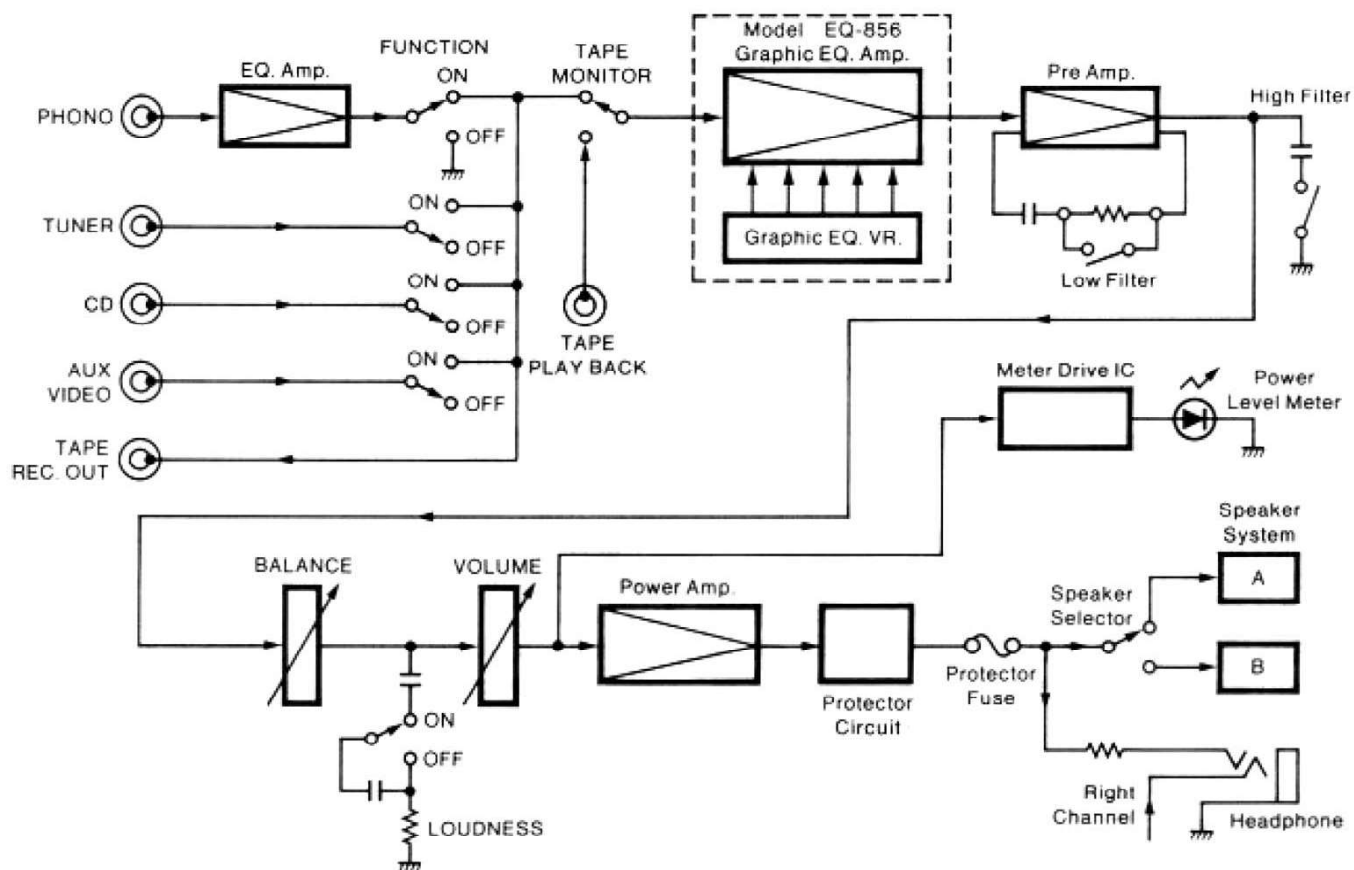
– Specifications subject to change without notice. –

WM-17776

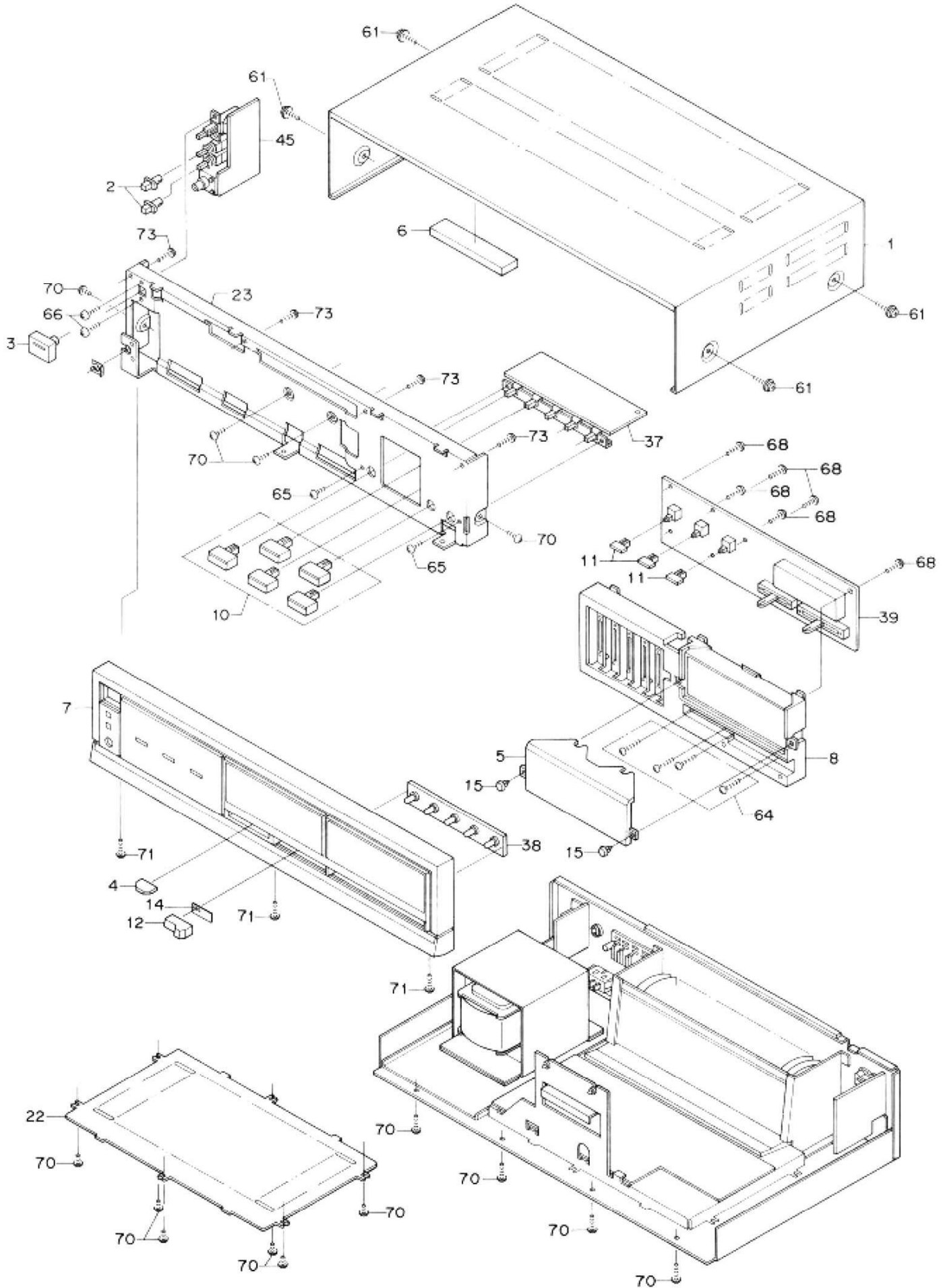
CONTENTS

Functional Block Diagram	2
Cabinet & Chassis Exploded View	3,4
Cabinet & Chassis Parts List	5
Power Amplifier Adjustment	6
Integrated Circuit Block Diagram	6,7
P.C.Board Parts List	8,9,10,11
Printed Circuit Board (Bottom View)	12,13,14
Point to Point Wiring Diagram	15,16
Schematic Diagram	17,18
Semiconductor Lead Identification	19

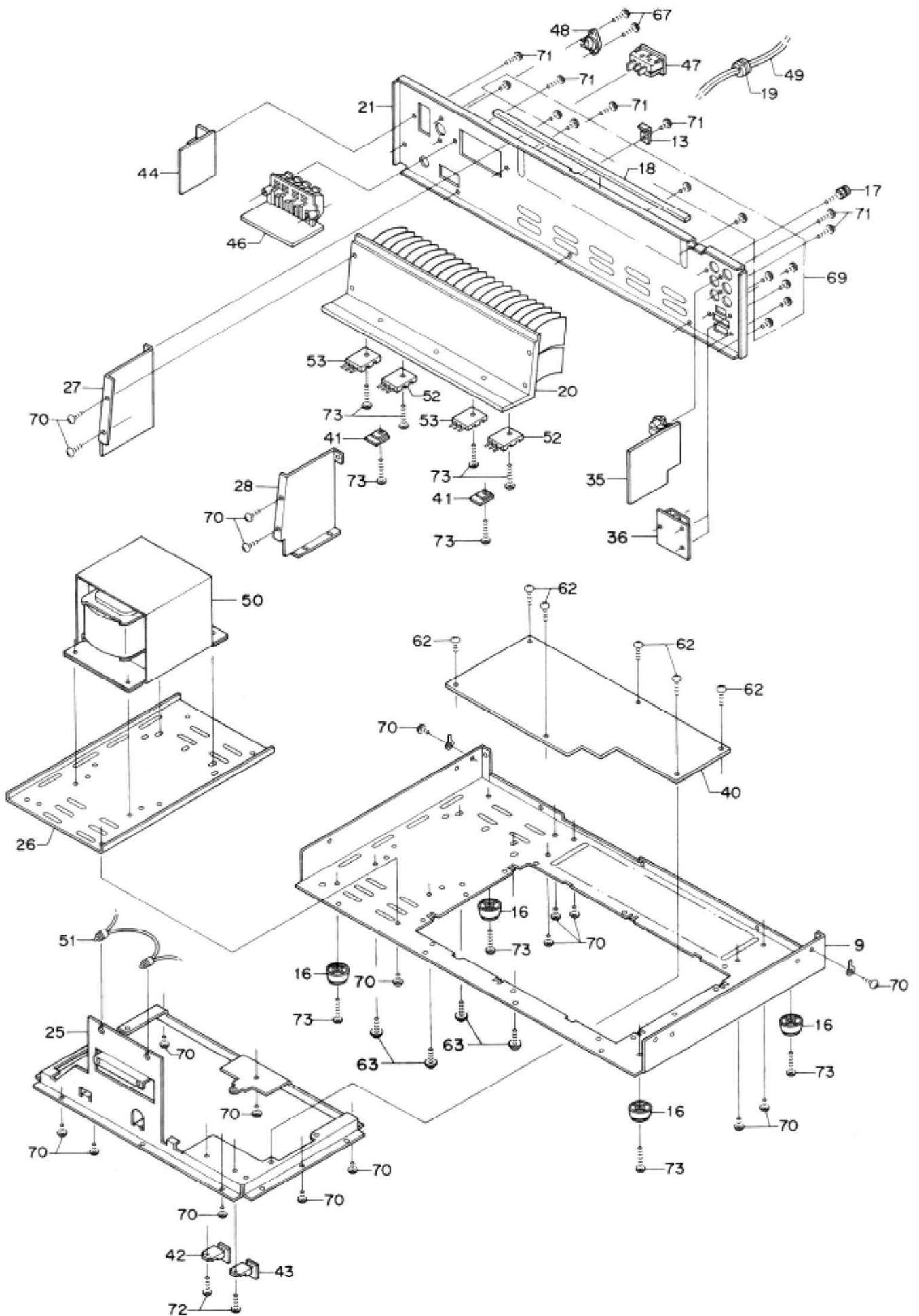
FUNCTIONAL BLOCK DIAGRAM



CABINET & CHASSIS EXPLODED VIEW (1)



CABINET & CHASSIS EXPLODED VIEW (2)



CABINET & CHASSIS PARTS LIST

Ref. No.	Part No.	Description	Q'ty	Ref. No.	Part No.	Description	Q'ty
PACKING PARTS LIST				ELECTRICAL PARTS LIST			
	131-6-3009-36331	Pad (Sleeve)	1	35	141-0-1939-18361	Phono EQ. P.C.B. Assy	1
	131-6-3069-16350	Patching Sheet	1	36	141-0-1939-18371	Input P.C.B. Assy	1
	141-6-1469-04000	Case Styrofoam (Left)	1	37	141-0-1939-18381	Function P.C.B. Assy	1
	141-6-1469-04001	Case Styrofoam (Right)	1	38	141-0-1939-18391	Function LED P.C.B. Assy	1
	141-6-2519-22290	Sheet Polyethylene	1	39	141-0-1939-18351	Pre Amplifier P.C.B. Assy	1
				40	141-0-1939-18403	Main P.C.B. Assy	1
				41	141-0-1939-18410	Bias P.C.B. Assy	2
				42	141-0-1939-18420	Transistor + P.C.B. Assy	1
				43	141-0-1939-18430	Transistor - P.C.B. Assy	1
				44	141-0-1939-18440	Terminal P.C.B. Assy	1
				45	141-0-1939-18450	Power Switch P.C.B. Assy	1
				46	141-0-1939-18460	Speaker Out P.C.B. Assy	1
				47	⚠ 4-2352-01320	AC Socket W/polarity (AC Outlet)	1
				48	⚠ 4-2352-01550	DIN Socket 2P (Power Supply)	1
				49	⚠ 4-2432-00363	Power Cord	1
				50	⚠ 4-2512-24701	Power Trans	1
				51	4-6129-70660	Lamp	1
				52	4-2039-72111	Transistor, 2SC 3280 [Q1, Q2]	2
				or	4-2039-72772	Transistor, 2SD 1717 [Q1, Q2]	2
				53	4-2039-72121	Transistor, 2SA 1301 [Q3, Q4]	2
				or	4-2039-72762	Transistor, 2SB 1162 [Q3, Q4]	2
ACCESSORIES PARTS LIST				SCREW PARTS LIST			
	4-2442-00030	Antenna FM	1	61	141-2-4219-38400	Screw, Bind Hd. Tapping-B, +M4.0x8 Sems	4
	131-2-7103-40808	Label (100W)	1	62	131-2-4201-25201	Screw, Brazier Hd. Tapping-B, +M3.0x8 Sems	6
	131-6-2719-10401	Bag Fan	1	63	141-2-4219-43300	Screw, Bind Hd. Tapping-C, +M4.0x10 Sems	4
	131-6-4159-31000	Note	1	64	101-3-1302-00418	Screw, Pan Hd., +M2.0x4	4
	131-6-4159-34100	Notes	1	65	101-3-1303-00611	Screw, Pan Hd., +M3.0x6	2
	131-6-4159-40600	Catalog (VTR)	1	66	131-3-1303-00611	Screw, Pan Hd. C SW, +M3.0x6	2
	131-6-4319-10802	Service Station List	1	67	143-3-1303-00818	Screw, Pan Hd. Tapping-B, +M3.0x8	2
	131-6-4519-14400	Warranty Card	1	68	143-3-1902-60811	Screw, Brazier Hd. Tapping-B, +M2.6x8	6
	131-6-4939-00200	Customer Card	1	69	143-3-1903-00618	Screw, Brazier Hd. Tapping-B, +M3.0x6	10
	141-2-1729-00500	Holder Antenna	1	70	143-3-1903-00611	Screw, Brazier Hd. Tapping-B, +M3.0x6	33
	141-6-4419-23821	Label Bar Code	1	71	143-3-1903-00818	Screw, Brazier Hd. Tapping-B, +M3.0x8	9
	142-6-4119-33119	Explanatory Booklet	1	72	143-3-1903-00811	Screw, Brazier Hd. Tapping-B, +M3.0x8	2
				73	143-3-1903-01011	Screw, Brazier Hd. Tapping-B, +M3.0x10	14
				R601	402 013 8903	SOLID 3.9M K- 1/2W	1
				R602	402 013 8903	SOLID 3.9M K- 1/2W	1
CABINET & CHASSIS PARTS LIST				NOTES:			
	4-2379-21520	Terminal Lug	2	1. Parts order must contain Model Number, Part Number and Description.			
	4-2379-21522	Terminal Lug	1	2. Ordering quantity of screws and resistors must be multiple of 10 pcs.			
	131-2-7103-26100	Label	1	<p style="text-align: center;">PRODUCT SAFETY NOTICE</p> <p>Each precaution in this manual should be followed during servicing. Components identified with the IEC symbol ⚠ in the parts list and the schematic diagram designate components in which safety can be of special significance. When replacing a component identified with ⚠, use only the replacement parts designated, or parts with the same ratings of resistance, wattage or voltage that are designated in the parts list in this manual. Leakage-current or resistance measurements must be made to determine that exposed parts are acceptably insulated from the supply circuit before returning the product to the customer.</p>			
	131-2-7103-46700	Label (UL Caution)	1				
	141-2-4729-04200	Lug	1				
1	131-2-1410-35400	Cover	1				
2	131-2-1601-69601	Knob (Speaker Selector)	2				
3	131-2-1601-93300	Knob (Power)	1				
4	131-2-1601-93400	Knob (Balance)	1				
5	131-2-3608-16405	Filter	1				
6	131-2-5205-33300	Cushion	1				
7	141-0-1129-25101	Cabinet Front Assy	1				
	141-2-1129-51900	Cabinet Front	1				
	141-2-1319-52300	Window	1				
	141-2-1449-61252	Plate Front	1				
	141-2-1449-65007	Plate Decorate	1				
8	141-0-3519-26400	Mount P.C.B. Assy	1				
	141-2-1449-65108	Screen LED	1				
	141-2-3519-83100	Mount P.C.B.	1				
9	141-2-3119-30100	Chassis	1				
10	141-2-1659-63400	Knob Push (Function)	5				
11	141-2-1659-77800	Knob Push (High, Low, Loudness)	3				
12	141-2-1659-63601	Knob Slide (Volume)	1				
13	141-2-3159-03300	Bracket Cover	1				
14	141-2-4469-55500	Cushion	1				
15	131-2-4221-00600	Rivet	2				
16	131-2-1801-14100	Leg	4				
17	131-2-4201-17800	Screw Ground	1				
18	131-2-5205-15800	Cushion	1				
19	131-2-6111-11300	Bushing (3p-4)	1				
20	131-2-6201-37900	Heat Sink	1				
21	141-2-1219-39404	Panel Rear	1				
22	141-2-1259-10700	Bottom Cover	1				
23	141-2-2149-30200	Panel Front	1				
25	141-2-3129-06500	Sub Chassis	1				
26	141-2-3159-05200	Metal Reinforce	1				
27	141-2-3889-05400	Bracket Mount Heat Sink (Left)	1				
28	141-2-3889-05401	Bracket Mount Heat Sink (Right)	1				

POWER AMPLIFIER ADJUSTMENT

BEFORE ADJUSTMENT

Unplug the AC power cord and set the front panel controls as follows:

- Power switch to OFF position
- Set the SPEAKERS switch to the OFF position.
- Turn the MASTER VOLUME control to the position marked 0 (minimum).
- IDLING CURRENT ADJUSTMENT VR401/VR402 (on the Main P.C.Board) setting to mechanical center position.
- Connect the AC power cord and Power Switch to the ON position.

IDLING CURRENT ADJUSTMENT

This adjustment is very sensitive to changes in ambient temperature. Allow set to operate for 5 minutes before attempting this adjustment.

LEFT AMPLIFIER

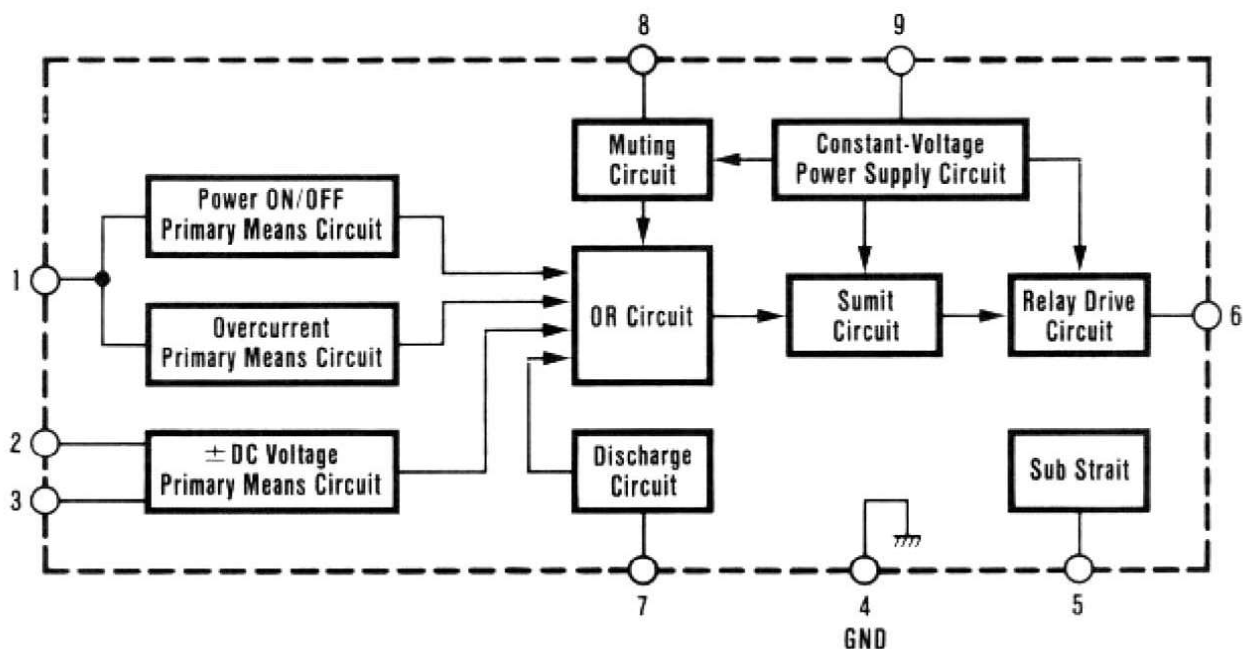
- 1) Connect the DC Voltmeter between Pins T413 and T415 on the Main P.C.Board.
- 2) Adjust the VR401 for an indication of 7mV on the DC Voltmeter.

RIGHT AMPLIFIER

- 1) Connect the DC Voltmeter between Pins T414 and T416 on the Main P.C.Board.
- 2) Adjust the VR402 for an indication of 7mV on the DC Voltmeter.

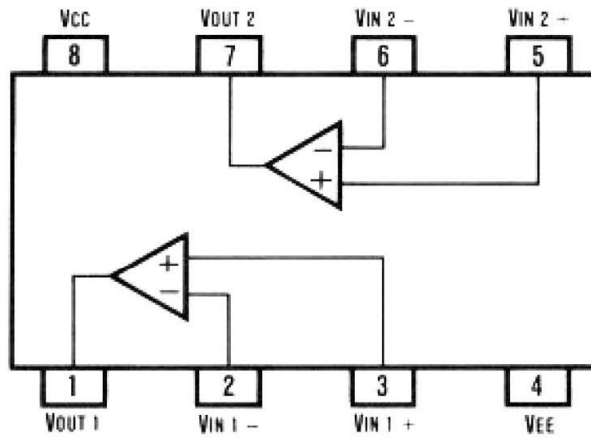
INTEGRATED CIRCUIT BLOCK DIAGRAM

RELAY DRIVING IC TA 7317 P

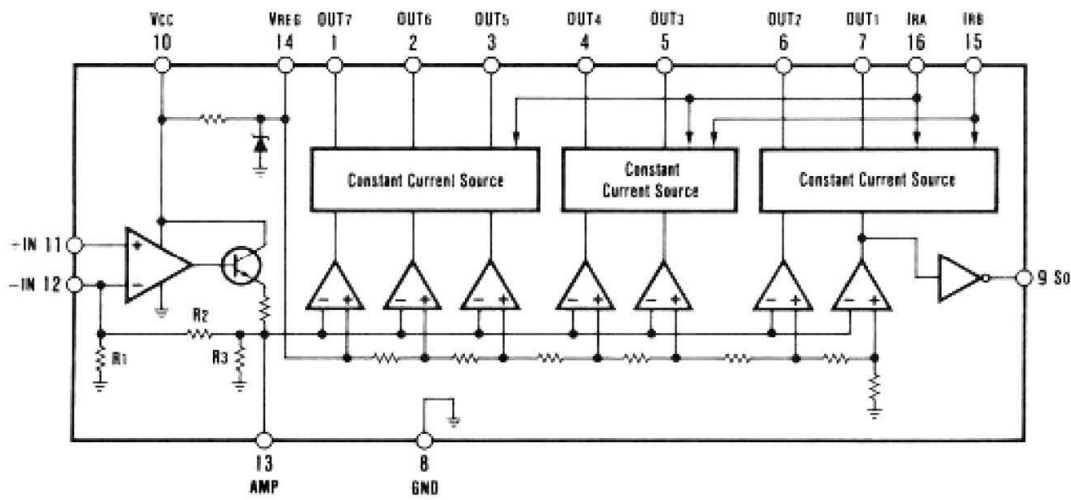


INTEGRATED CIRCUIT BLOCK DIAGRAM (Continued)

PHONO EQUALIZER AMP IC LA 6458 DS



POWER LEVEL METER DRIVE AMP IC IR 2E29



P.C.BOARD PARTS LIST

Ref. No.	Part No.	Description	Q'ty	Ref. No.	Part No.	Description	Q'ty						
PHONO EQ. P.C.B. ASSY				FUNCTION P.C.B. ASSY									
35	141-0-1939-18361	Phono EQ. P.C.B. Assy	1	37	141-0-1939-18381	Function P.C.B. Assy	1						
	4-2262-30430	Phono EQ. P.C.B.	1		4-2262-30450	Function P.C.B.	1						
CN104	4-2369-73970	Plug 3P	1	SW201	4-2319-79660	Push Switch 5Key (Function/Tape Monitor)	1						
	4-2352-01780	Pin Jack 6P (Phono, CD, Video/Aux)	1	CN201	4-2369-74210	Plug 2P	1						
CAPACITORS				CAPACITORS									
C101	CD4-7-5250-0001V	Electrolytic	4.7 μ F	25V	1	C201	CD1-0-5500-0001V	Electrolytic	1 μ F	50V	1		
C102	CD4-7-5250-0001V	Electrolytic	4.7 μ F	25V	1	C202	CD1-0-5500-0001V	Electrolytic	1 μ F	50V	1		
C103	CC2-2-1500-KD00C	Ceramic	220pF	50V	$\pm 10\%$	1	C203	CD1-0-5500-0001V	Electrolytic	1 μ F	50V	1	
C104	CC2-2-1500-KD00C	Ceramic	220pF	50V	$\pm 10\%$	1	C204	CD1-0-5500-0001V	Electrolytic	1 μ F	50V	1	
C105	CC1-0-1500-KD00C	Ceramic	100pF	50V	$\pm 10\%$	1	RESISTORS						
C106	CC1-0-1500-KD00C	Ceramic	100pF	50V	$\pm 10\%$	1	R201	401 024 7707	CARBON 100K JA 1/6W	1			
C107	CD4-7-663A-0001V	Electrolytic	47 μ F	6.3V	1	R202	401 024 7707	CARBON 100K JA 1/6W	1				
C108	CD4-7-663A-0001V	Electrolytic	47 μ F	6.3V	1	R203	401 016 3809	CARBON 2.2K JA 1/4W	1				
C109	CM4-7-2500-K00SV	Mylar	0.0047 μ F	50V	$\pm 10\%$	1	R204	401 025 7805	CARBON 2.2K JA 1/6W	1			
C110	CM4-7-2500-K00SV	Mylar	0.0047 μ F	50V	$\pm 10\%$	1	R205	401 023 1706	CARBON 820 JA 1/4W	1			
C111	CM1-8-3500-K00SV	Mylar	0.018 μ F	50V	$\pm 10\%$	1	R206	401 025 1605	CARBON 1.5K JA 1/6W	1			
C112	CM1-8-3500-K00SV	Mylar	0.018 μ F	50V	$\pm 10\%$	1	R207	401 026 9600	CARBON 470 JA 1/6W	1			
C113	CC2-2-3500-ZG00C	Ceramic	0.022 μ F	50V	+80,-20%	1	R208	401 020 0801	CARBON 470 JA 1/4W	1			
C114	CC2-2-3500-ZG00C	Ceramic	0.022 μ F	50V	+80,-20%	1	FUNCTION LED P.C.B. ASSY						
C115	CD4-7-6160-0001V	Electrolytic	47 μ F	16V	1	38	141-0-1939-18391	Function LED P.C.B. Assy	1				
C116	CD4-7-6160-0001V	Electrolytic	47 μ F	16V	1		4-2262-30460	Function LED P.C.B.	1				
C117	CC2-2-3500-ZG00C	Ceramic	0.022 μ F	50V	+80,-20%	1	SEMICONDUCTORS						
C118	CC2-2-3500-ZG00C	Ceramic	0.022 μ F	50V	+80,-20%	1	D201	DYY--SLR-54VT-	L.E.D., SLR 54 VT (Tape Monitor)	1			
C119	CC2-2-3500-ZG00C	Ceramic	0.022 μ F	50V	+80,-20%	1	D202	DYY--SLR-54PT-	L.E.D., SLR 54 PT (Video/Aux)	1			
SEMICONDUCTOR				SEMICONDUCTORS									
IC101	206-5-2726-45810	IC, LA 6458 DS	1	D203	DYY--SLR-54PT-	L.E.D., SLR 54 PT (CD)	1						
RESISTORS				RESISTORS									
R101	401 024 7004	CARBON 1K JA 1/6W	1	D204	DYY--SLR-54PT-	L.E.D., SLR 54 PT (Tuner)	1						
R102	401 024 7004	CARBON 1K JA 1/6W	1	D205	DYY--SLR-54PT-	L.E.D., SLR 54 PT (Phono)	1						
R103	401 024 7707	CARBON 100K JA 1/6W	1	PRE AMPLIFIER P.C.B. ASSY									
R104	401 024 7707	CARBON 100K JA 1/6W	1	39	141-0-1939-18351	Pre Amplifier P.C.B. Assy	1						
R105	401 024 7707	CARBON 100K JA 1/6W	1		4-2262-30470	Pre Amplifier P.C.B.	1						
R106	401 024 7707	CARBON 100K JA 1/6W	1	VR301	4-2229-75980	Slide Volume (W-200k Ω , Balance)	1						
R107	401 026 0607	CARBON 270 JA 1/6W	1	VR302	4-2229-76220	Slide Volume (A-100k Ω x2, Volume)	1						
R108	401 026 0607	CARBON 270 JA 1/6W	1	SW301	4-2319-77780	Switch Push 1Key (Subsonic Filter)	1						
R109	401 025 1902	CARBON 15K JA 1/6W	1	SW302	4-2319-77780	Switch Push 1Key (High Filter)	1						
R110	401 025 1902	CARBON 15K JA 1/6W	1	SW303	4-2319-77780	Switch Push 1Key (Loudness)	1						
R111	401 025 8703	CARBON 220K JA 1/6W	1	CA301	4-2352-02030	Connector 7P Assy	1						
R112	401 025 8703	CARBON 220K JA 1/6W	1	CA302	4-2359-79328	Connector 2P Assy	1						
R113	401 025 7805	CARBON 2.2K JA 1/6W	1	CA303	4-2359-76594	Connector 3P Assy	1						
R114	401 025 7805	CARBON 2.2K JA 1/6W	1	CA304	4-2359-76638	Connector 2P Assy	1						
R115	401 012 4107	CARBON 100 JA 1/4W	1		141-2-2419-34300	Mount LED	1						
R116	401 012 4107	CARBON 100 JA 1/4W	1		141-2-3769-18600	Spacer LED	1						
INPUT P.C.B. ASSY				CAPACITORS									
36	141-0-1939-18371	Input P.C.B. Assy	1	C301	CC3-3-1500-KD00C	Ceramic	330pF	50V	$\pm 10\%$	1			
	4-2262-30440	Input P.C.B.	1	C302	CC3-3-1500-KD00C	Ceramic	330pF	50V	$\pm 10\%$	1			
CA101	4-2359-76787	Connector 2P Assy	1	C303	CD2-2-4500-0001V	Electrolytic	0.22 μ F	50V		1			
CN101	4-2369-73970	Plug 3P (Tuner Socket)	1	C304	CD2-2-4500-0001V	Electrolytic	0.22 μ F	50V		1			
CN102	4-2369-75580	Plug 5P (Deck Socket)	1	C305	CD2-2-4500-0001V	Electrolytic	0.22 μ F	50V		1			
CN103	4-2369-76000	Plug 7P (Equalizer Socket)	1	C306	CD2-2-4500-0001V	Electrolytic	0.22 μ F	50V		1			
	141-2-3889-05300	Bracket Connect P.C.B.	1	C307	CD1-0-6160-0001V	Electrolytic	10 μ F	16V		1			
CAPACITORS				CAPACITORS									
C120	C11-0-3250-MF00R	Boundary	0.01 μ F	25V	$\pm 20\%$	1	C308	CD1-0-6160-0001V	Electrolytic	10 μ F	16V	1	
C121	C11-0-3250-MF00R	Boundary	0.01 μ F	25V	$\pm 20\%$	1	C309	CC1-0-1500-KD00C	Ceramic	100pF	50V	$\pm 10\%$	1
C122	C11-0-3250-MF00R	Boundary	0.01 μ F	25V	$\pm 20\%$	1	C310	CC1-0-1500-KD00C	Ceramic	100pF	50V	$\pm 10\%$	1
							C311	CM2-2-3500-J00BV	Mylar	0.022 μ F	50V	$\pm 5\%$	1
							C312	CM2-2-3500-J00BV	Mylar	0.022 μ F	50V	$\pm 5\%$	1
							C313	CD1-0-5500-0001V	Electrolytic	1 μ F	50V	1	

P.C.BOARD PARTS LIST (Continued)

Ref. No.	Part No.	Description	Q'ty	Ref. No.	Part No.	Description	Q'ty
C314	CD1-0-5500-0001V	Electrolytic 1μF 50V	1	R327	401 027 8602	CARBON 8.2K JA 1/6W	1
C315	CD1-0-6160-0001V	Electrolytic 10μF 16V	1	R328	401 027 8602	CARBON 8.2K JA 1/6W	1
C316	CD1-0-6160-0001V	Electrolytic 10μF 16V	1	R329	401 026 9907	CARBON 4.7K JA 1/6W	1
C317	CC2-2-1500-KD00C	Ceramic 220pF 50V ±10%	1	R330	401 026 9907	CARBON 4.7K JA 1/6W	1
C318	CC2-2-1500-KD00C	Ceramic 220pF 50V ±10%	1	R331	401 025 5207	CARBON 1.8M JA 1/6W	1
C319	CM3-9-3500-J00TV	Mylar 0.039μF 50V ±5%	1	R332	401 025 5207	CARBON 1.8M JA 1/6W	1
C320	CM3-9-3500-J00TV	Mylar 0.039μF 50V ±5%	1	R333	401 024 7707	CARBON 100K JA 1/6W	1
C321	CD1-0-5500-0002V	Electrolytic 1μF 50V	1	R334	401 024 7707	CARBON 100K JA 1/6W	1
C322	CD1-0-5500-0002V	Electrolytic 1μF 50V	1	R335	401 024 7004	CARBON 1K JA 1/6W	1
C323	CD1-0-6160-0002V	Electrolytic 10μF 16V	1	R336	401 024 7004	CARBON 1K JA 1/6W	1
C324	CD1-0-6160-0002V	Electrolytic 10μF 16V	1				
C325	CD1-0-6160-0002V	Electrolytic 10μF 16V	1				
C326	CD1-0-6160-0002V	Electrolytic 10μF 16V	1				
C327	CD1-0-6160-0002V	Electrolytic 10μF 16V	1				
C328	CD1-0-6160-0002V	Electrolytic 10μF 16V	1				
C329	CC4-7-0500-KD00C	Ceramic 47pF 50V ±10%	1				
C330	CC4-7-0500-KD00C	Ceramic 47pF 50V ±10%	1				
SEMICONDUCTORS							
D301	D00--SLP-273B-	L.E.D., SLP 273 B (Power Level Meter)	1				
D302	D00--SLP-273B-	L.E.D., SLP 273 B (Power Level Meter)	1				
D303	D00--SLP-273B-	L.E.D., SLP 273 B (Power Level Meter)	1				
D304	D00--SLP-273B-	L.E.D., SLP 273 B (Power Level Meter)	1				
D305	D00--SLP-273B-	L.E.D., SLP 273 B (Power Level Meter)	1				
D306	D00--SLP-273B-	L.E.D., SLP 273 B (Power Level Meter)	1				
D307	D00--SLP-273B-	L.E.D., SLP 273 B (Power Level Meter)	1				
D308	D00--SLP-273B-	L.E.D., SLP 273 B (Power Level Meter)	1				
D309	D00--SLP-273B-	L.E.D., SLP 273 B (Power Level Meter)	1				
D310	D00--SLP-273B-	L.E.D., SLP 273 B (Power Level Meter)	1				
D311	D00--SLP-273B-	L.E.D., SLP 273 B (Power Level Meter)	1				
D312	D00--SLP-273B-	L.E.D., SLP 273 B (Power Level Meter)	1				
D313	D00--SLP-273B-	L.E.D., SLP 273 B (Power Level Meter)	1				
D314	D00--SLP-273B-	L.E.D., SLP 273 B (Power Level Meter)	1				
IC301	206-5-2726-45810	IC, LA 6458 DS	1				
IC302	4-2069-73580	IC, IR 2 E 29	1				
IC303	4-2069-73580	IC, IR 2 E 29	1				
RESISTORS							
R301	401 012 5708	CARBON 1K JA 1/4W	1				
R302	401 012 5708	CARBON 1K JA 1/4W	1				
R303	401 016 5803	CARBON 220K JA 1/4W	1				
R304	401 016 5803	CARBON 220K JA 1/4W	1				
R305	401 020 2904	CARBON 47K JA 1/4W	1				
R306	401 020 2904	CARBON 47K JA 1/4W	1				
R307	401 017 2801	CARBON 27K JA 1/4W	1				
R308	401 017 2801	CARBON 27K JA 1/4W	1				
R309	401 022 4104	CARBON 68K JA 1/4W	1				
R310	401 022 4104	CARBON 68K JA 1/4W	1				
R311	401 016 5803	CARBON 220K JA 1/4W	1				
R312	401 016 5803	CARBON 220K JA 1/4W	1				
R313	401 012 5708	CARBON 1K JA 1/4W	1				
R314	401 012 5708	CARBON 1K JA 1/4W	1				
R315	401 012 8105	CARBON 100K JA 1/4W	1				
R316	401 012 8105	CARBON 100K JA 1/4W	1				
R317	401 012 4503	CARBON 100 JA 1/4W	1				
R318	401 012 4503	CARBON 100 JA 1/4W	1				
R319	401 025 7805	CARBON 2.2K JA 1/6W	1				
R320	401 016 3809	CARBON 2.2K JA 1/4W	1				
R321	401 022 3107	CARBON 6.8K JA 1/4W	1				
R322	401 022 3107	CARBON 6.8K JA 1/4W	1				
R323	401 024 7004	CARBON 1K JA 1/6W	1				
R324	401 024 7004	CARBON 1K JA 1/6W	1				
R325	401 026 1000	CARBON 2.7K JA 1/6W	1				
R326	401 026 1000	CARBON 2.7K JA 1/6W	1				
MAIN P.C.B. ASSY							
				40	141-0-1939-18403	Main P.C.B. Assy	1
					4-2262-30040	Main P.C.B.	1
				VR401	4-2222-01280	Potentiometer (B-100Ω)	1
				VR402	4-2222-01280	Potentiometer (B-100Ω)	1
				RE401	4-2329-70440	Relay	1
				L401	4-2552-00650	AF Coil (2μH)	1
				L402	4-2552-00650	AF Coil (2μH)	1
				CN401	4-2369-73410	Plug 7P	1
				CN402	4-2362-00770	Plug 2P	1
				CN403	4-2369-74200	Plug 2P	1
					△ 4-2342-00320	Fuse 5.0A	2
					4-2359-23000	Fuse Holder	4
					111-2-6220-11100	Wire Wrap Terminal	15
					141-2-4359-46300	Plate Sever	1
					141-2-4729-07100	Wire Band	1
CAPACITORS							
				C401	CC4-7-1500-KD00C	Ceramic 470pF 50V ±10%	1
				C402	CC4-7-1500-KD00C	Ceramic 470pF 50V ±10%	1
				C403	CD4-7-5250-0001V	Electrolytic 4.7μF 25V	1
				C404	CD4-7-5250-0001V	Electrolytic 4.7μF 25V	1
				C405	CC1-0-1500-KD00C	Ceramic 100pF 50V ±10%	1
				C406	CC1-0-1500-KD00C	Ceramic 100pF 50V ±10%	1
				C407	CC1-0-1500-KD00C	Ceramic 100pF 50V ±10%	1
				C408	CC1-0-1500-KD00C	Ceramic 100pF 50V ±10%	1
				C409	CD2-2-763A-0001V	Electrolytic 220μF 6.3V	1
				C410	CD2-2-763A-0001V	Electrolytic 220μF 6.3V	1
				C411	CM1-0-4500-J00TV	Mylar 0.1μF 50V ±5%	1
				C412	CM1-0-4500-J00TV	Mylar 0.1μF 50V ±5%	1
				C413	4-2239-71190	Capacitor 27pF 500V ±10%	1
				C414	4-2239-71190	Capacitor 27pF 500V ±10%	1
				C415	4-2239-72020	Ceramic 3pF 500V ±0.5pF	1
				C416	4-2239-72020	Ceramic 3pF 500V ±0.5pF	1
				C417	4-2239-71120	Capacitor 18pF 500V ±10%	1
				C418	4-2239-71120	Capacitor 18pF 500V ±10%	1
				C419	CD1-0-5500-0001V	Electrolytic 1μF 50V	1
				C420	CD1-0-5500-0001V	Electrolytic 1μF 50V	1
				C421	4-2239-72120	Ceramic 220pF 500V ±10%	1
				C422	4-2239-72120	Ceramic 220pF 500V ±10%	1
				C423	4-2239-72120	Ceramic 220pF 500V ±10%	1
				C424	4-2239-72120	Ceramic 220pF 500V ±10%	1
				C425	CD4-7-6101-0001V	Electrolytic 47μF 100V	1
				C426	CD4-7-6101-0001V	Electrolytic 47μF 100V	1
				C427	CD4-7-6101-0001V	Electrolytic 47μF 100V	1
				C428	CD4-7-6101-0001V	Electrolytic 47μF 100V	1
				C429	CD1-0-6250-0001V	Electrolytic 10μF 25V	1
				C431	CM3-9-3500-K00SV	Mylar 0.039μF 50V ±10%	1
				C432	CM3-9-3500-K00SV	Mylar 0.039μF 50V ±10%	1
				C441	CC1-0-3501-YEYOC	Ceramic 0.01μF 500V +100-0%	1
				C442	CC1-0-3501-YEYOC	Ceramic 0.01μF 500V +100-0%	1
				C443	CC1-0-3501-YEYOC	Ceramic 0.01μF 500V +100-0%	1

P.C.BOARD PARTS LIST (Continued)

Ref. No.	Part No.	Description	Q'ty	Ref. No.	Part No.	Description	Q'ty
C444	CC1-0-3501-YEY0C	Ceramic	0.01µF	500V	+100,-0%	1	
C445	4-2239-72420	Electrolytic	6800µF	73V		1	
C446	4-2239-72420	Electrolytic	6800µF	73V		1	
C447	CC1-0-3501-YEY0C	Ceramic	0.01µF	500V	+100,-0%	1	
C448	CC1-0-3501-YEY0C	Ceramic	0.01µF	500V	+100,-0%	1	
C449	CC1-0-3501-YEY0C	Ceramic	0.01µF	500V	+100,-0%	1	
C450	CC1-0-3501-YEY0C	Ceramic	0.01µF	500V	+100,-0%	1	
C451	CD1-0-8350-0001V	Electrolytic	1000µF	35V		1	
C452	CD1-0-8350-0001V	Electrolytic	1000µF	35V		1	
C453	CD1-0-7250-0001V	Electrolytic	100µF	25V		1	
C454	CD1-0-7250-0001V	Electrolytic	100µF	25V		1	
C455	CD1-0-6250-0001V	Electrolytic	10µF	25V		1	
C456	CD1-0-6250-0001V	Electrolytic	10µF	25V		1	
C457	CD1-0-5500-0001V	Electrolytic	1µF	50V		1	
C458	CB1-0-7160-0000V	None-polar	100µF	16V		1	
C460	CD2-2-6160-0001V	Electrolytic	22µF	16V		1	
C461	CD4-7-4500-0001V	Electrolytic	0.47µF	50V		1	
SEMICONDUCTORS							
D401	202-5-9040-44210	Diode, DS 442	1			1	
D402	202-5-9040-44210	Diode, DS 442	1			1	
D403	202-5-9040-44210	Diode, DS 442	1			1	
D404	202-5-9040-44210	Diode, DS 442	1			1	
D405	202-5-9040-44210	Diode, DS 442	1			1	
D406	202-5-9040-44210	Diode, DS 442	1			1	
D407	202-5-1410-00110	Diode, GMA 01	1			1	
D408	202-5-1410-00110	Diode, GMA 01	1			1	
D410	202-5-3210-18011	Zener Diode, GZA 18X	1			1	
D411	4-2029-73840	Diode, 30D 2	1			1	
D412	4-2029-73840	Diode, 30D 2	1			1	
D413	4-2029-73840	Diode, 30D 2	1			1	
D414	4-2029-73840	Diode, 30D 2	1			1	
D415	202-5-0220-01010	Diode, DSF 10 C	1			1	
or	4-2029-73870	Diode, 11E 2	1			1	
D416	202-5-0220-01010	Diode, DSF 10 C	1			1	
or	4-2029-73870	Diode, 11E 2	1			1	
D417	202-5-0220-01010	Diode, DSF 10 C	1			1	
or	4-2029-73870	Diode, 11E 2	1			1	
D418	202-5-0220-01010	Diode, DSF 10 C	1			1	
or	4-2029-73870	Diode, 11E 2	1			1	
D419	202-5-0220-01010	Diode, DSF 10 C	1			1	
or	4-2029-73870	Diode, 11E 2	1			1	
D420	202-5-0220-01010	Diode, DSF 10 C	1			1	
or	4-2029-73870	Diode, 11E 2	1			1	
D421	202-5-3210-16011	Zener Diode, GZA 16X	1			1	
D422	202-5-3210-16011	Zener Diode, GZA 16X	1			1	
IC401	4-2069-73810	IC, TA 7317 P	1			1	
Q401	203-5-7230-60860	Transistor, 2SA 608	1			1	
Q402	203-5-7230-60860	Transistor, 2SA 608	1			1	
Q403	203-5-5251-57060	Transistor, 2SC 1570	1			1	
Q404	203-5-5251-57060	Transistor, 2SC 1570	1			1	
Q405	203-5-5251-57060	Transistor, 2SC 1570	1			1	
Q406	203-5-5251-57060	Transistor, 2SC 1570	1			1	
Q407	TMM--2SC1-583-F	Transistor, 2SC 1583	1			1	
Q408	TMM--2SC1-583-F	Transistor, 2SC 1583	1			1	
Q409	203-5-6931-20980	Transistor, 2SA 1209	1			1	
Q410	203-5-6931-20980	Transistor, 2SA 1209	1			1	
Q411	203-5-5632-91180	Transistor, 2SC 2911	1			1	
Q412	203-5-5632-91180	Transistor, 2SC 2911	1			1	
Q413	203-5-5143-11780	Transistor, 2SC 3117	1			1	
Q414	203-5-5143-11780	Transistor, 2SC 3117	1			1	
Q415	203-5-4711-24980	Transistor, 2SA 1249	1			1	
Q416	203-5-4711-24980	Transistor, 2SA 1249	1			1	
RESISTORS							
R401	401 024 7004	CARBON 1K JA 1/6W	1			1	
R402	401 024 7004	CARBON 1K JA 1/6W	1			1	
R403	401 024 7707	CARBON 100K JA 1/6W	1			1	
R404	401 024 7707	CARBON 100K JA 1/6W	1			1	
R405	401 021 0701	CARBON 56 JA 1/4W	1			1	
R406	401 021 0701	CARBON 56 JA 1/4W	1			1	
R407	401 013 6407	CARBON 12K JA 1/4W	1			1	
R408	401 013 6407	CARBON 12K JA 1/4W	1			1	
R409	401 023 2802	CARBON 8.2K JA 1/4W	1			1	
R410	401 023 2802	CARBON 8.2K JA 1/4W	1			1	
R411	401 021 0701	CARBON 56 JA 1/4W	1			1	
R412	401 021 0701	CARBON 56 JA 1/4W	1			1	
R413	401 023 2802	CARBON 8.2K JA 1/4W	1			1	
R414	401 023 2802	CARBON 8.2K JA 1/4W	1			1	
R415	402 015 5603	FUSIBLE RES 82 J- 1/4W	1			1	
R416	402 015 5603	FUSIBLE RES 82 J- 1/4W	1			1	
R417	402 015 4705	FUSIBLE RES 47 J- 1/4W	1			1	
R418	402 015 4705	FUSIBLE RES 47 J- 1/4W	1			1	
R419	401 019 9600	CARBON 47 JA 1/4W	1			1	
R420	401 019 9600	CARBON 47 JA 1/4W	1			1	
R421	401 022 4104	CARBON 68K JA 1/4W	1			1	
R422	401 022 4104	CARBON 68K JA 1/4W	1			1	
R423	401 018 4903	CARBON 33K JA 1/4W	1			1	
R424	401 018 4903	CARBON 33K JA 1/4W	1			1	
R425	401 023 0709	CARBON 82 JA 1/4W	1			1	
R426	401 023 0709	CARBON 82 JA 1/4W	1			1	
R427	402 016 5107	FUSIBLE RES 330 J- 1/2W	1			1	
R428	402 016 5107	FUSIBLE RES 330 J- 1/2W	1			1	
R429	402 015 3708	FUSIBLE RES 2.2 J- 1/4W	1			1	
R430	402 015 3708	FUSIBLE RES 2.2 J- 1/4W	1			1	
R431	402 015 3708	FUSIBLE RES 2.2 J- 1/4W	1			1	
R432	402 015 3708	FUSIBLE RES 2.2 J- 1/4W	1			1	
R433	4-2219-70370	Cement 0.22X2	1			1	
R434	4-2219-70370	Cement 0.22X2	1			1	
R435	402 015 4705	FUSIBLE RES 47 J- 1/4W	1			1	
R436	402 015 4705	FUSIBLE RES 47 J- 1/4W	1			1	
R437	402 015 3005	FUSIBLE RES 10 J- 1/4W	1			1	
R438	402 015 3005	FUSIBLE RES 10 J- 1/4W	1			1	
R439	401 062 2405	OXIDE-MT 4.7K JB 1W	1			1	
R441	401 019 6203	CARBON 4.7 JA 1/4W	1			1	
R442	401 019 6203	CARBON 4.7 JA 1/4W	1			1	
R443	401 058 1207	OXIDE-MT 10 JB 1W	1			1	
R444	401 058 1207	OXIDE-MT 10 JB 1W	1			1	
R445	401 021 4105	CARBON 56K JA 1/4W	1			1	
R446	401 021 4105	CARBON 56K JA 1/4W	1			1	
R447	401 012 8105	CARBON 100K JA 1/4W	1			1	
R448	401 012 8105	CARBON 100K JA 1/4W	1			1	
R451	401 064 6203	OXIDE-MT 10 JB 2W	1			1	
R452	401 064 6203	OXIDE-MT 10 JB 2W	1			1	
R454	402 022 1001	FUSIBLE RES 10 J- 1W	1			1	
R455	401 064 6203	OXIDE-MT 10 JB 2W	1			1	
R457	401 012 5708	CARBON 1K JA 1/4W	1			1	
R458	401 012 5708	CARBON 1K JA 1/4W	1			1	
R459	401 018 2800	CARBON 330 JA 1/4W	1			1	
R460	401 018 2800	CARBON 330 JA 1/4W	1			1	
R463	402 016 2205	FUSIBLE RES 27 J- 1/2W	1			1	
R465	402 015 4903	FUSIBLE RES 5.6 J- 1/4W	1			1	
R466	402 015 4903	FUSIBLE RES 5.6 J- 1/4W	1			1	
R467	401 019 1901	CARBON 3.9K JA 1/4W	1			1	
R468	401 019 1901	CARBON 3.9K JA 1/4W	1			1	
R469	402 015 3104	FUSIBLE RES 100 J- 1/4W	1			1	
R470	401 014 5201	CARBON 15K JA 1/4W	1			1	
R472	401 025 8703	CARBON 220K JA 1/6W	1			1	

P.C.BOARD PARTS LIST (Continued)

Ref. No.	Part No.	Description	Q'ty	Ref. No.	Part No.	Description	Q'ty
R475	401 020 2904	CARBON 47K JA 1/4W	1	R503	401 016 2604	CARBON 220 JA 1/4W	1
R476	401 012 8105	CARBON 100K JA 1/4W	1	R504	401 016 2604	CARBON 220 JA 1/4W	1
R477	401 018 4903	CARBON 33K JA 1/4W	1	R505	401 017 0807	CARBON 270 JA 1/4W	1
R478	401 021 4105	CARBON 56K JA 1/4W	1	R506	401 017 0807	CARBON 270 JA 1/4W	1
R479	401 014 5201	CARBON 15K JA 1/4W	1				
R481	401 026 2700	CARBON 300 JA 1/6W	1				
R482	401 026 2700	CARBON 300 JA 1/6W	1				
BIAS P.C.B. ASSY							
41	141-0-1939-18410	Bias P.C.B. Assy	2				
	4-2262-30050	Bias P.C.B.	1				
SEMICONDUCTORS							
D409	202-5-9040-44210	Diode, DS 442	1				
Q417	4-2039-72100	Transistor, 2SD 947	1				
TRANSISTOR + P.C.B. ASSY							
41	141-0-1939-18420	Transistor + P.C.B. Assy	1				
	4-2262-30060	Transistor + P.C.B.	1				
SEMICONDUCTOR							
Q418	4-2039-71441	Transistor, 2SD 1406	1				
TRANSISTOR - P.C.B. ASSY							
42	141-0-1939-18430	Transistor - P.C.B. Assy	1				
	4-2262-30070	Transistor - P.C.B.	1				
SEMICONDUCTORS							
Q419	4-2039-72130	Transistor, 2SB 1015	1				
TERMINAL P.C.B. ASSY							
44	141-0-1939-18440	Terminal P.C.B. Assy	1				
	4-2262-30080	Terminal P.C.B.	1				
	△ 4-2342-00010	Fuse 1.0A	2				
	4-2359-23000	Fuse Holder	4				
	△ 4-2359-79090	Socket 2P-2 (Power Supply)	1				
	111-2-6220-11100	Wire Wrap Terminal	4				
	141-2-4359-46300	Plate Sever	1				
POWER SWITCH P.C.B. ASSY							
45	141-0-1939-18450	Power Switch P.C.B. Assy	1				
	4-2262-30090	Power Switch P.C.B.	1				
SW501	△ 4-2319-76340	Switch Push Power (Power)	1				
SW502	4-2319-77341	Switch Push 1Key (Speaker A)	1				
SW503	4-2319-77341	Switch Push 1Key (Speaker B)	1				
J501	4-2439-73061	Wire 2 Parallel	1				
J502	4-2439-72195	Wire 6 Parallel	1				
	△ 4-2349-20912	Fuse 5.0A	1				
	4-2352-00970	Headphone Jack 3P (Headphones)	1				
	4-2359-23000	Fuse Holder	2				
	111-2-6220-11100	Wire Wrap Terminal	3				
	131-2-6114-00200	Cover Safety	1				
CAPACITOR							
C501	△ 4-2239-72340	Capacitor	0.01 μ F 250V	1			
RESISTORS							
R501	401 068 7701	OXIDE-MT 560 JB 2W	1				
R502	401 068 7701	OXIDE-MT 560 JB 2W	1				

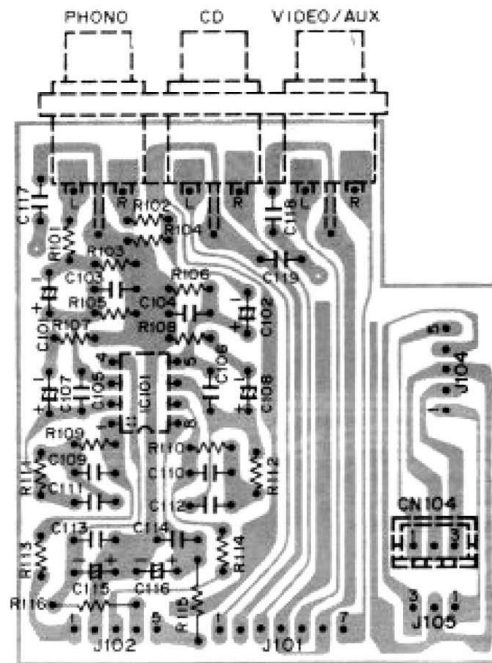
SPEAKER OUT P.C.B. ASSY

46	141-0-1939-18460	Speaker Out P.C.B. Assy	1
	4-2262-30100	Speaker Out P.C.B.	1
J701	4-2439-73062	Wire 2 Parallel	1
	4-2372-01160	Speaker 8P Terminal (Speaker)	1

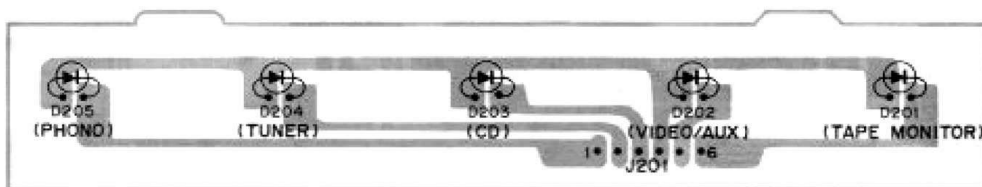
NOTES:

1. Parts order must contain Model Number, Part Number and Description.
2. Ordering quantity of screws and resistors must be multiple of 10 pcs.

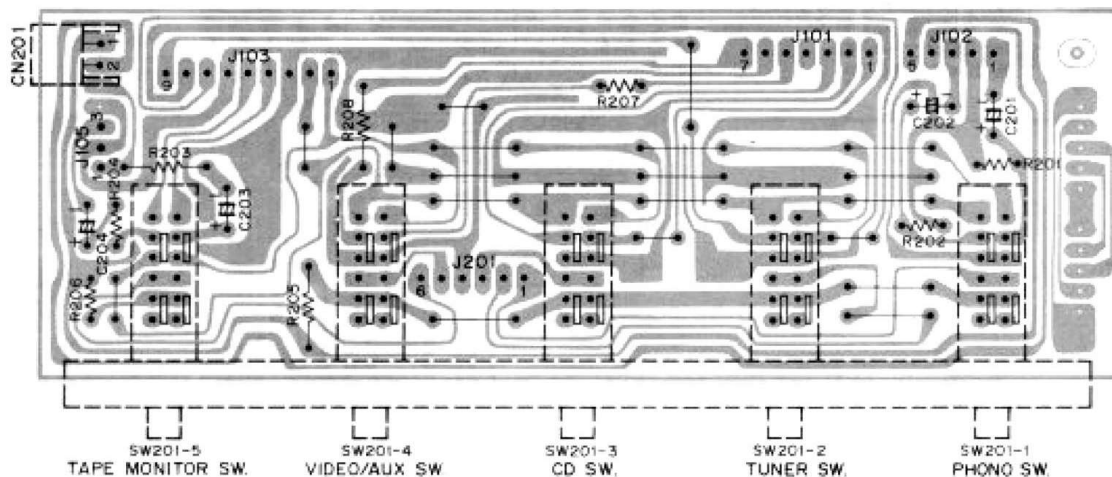
PHONO EQ. P.C. BOARD (BOTTOM VIEW)



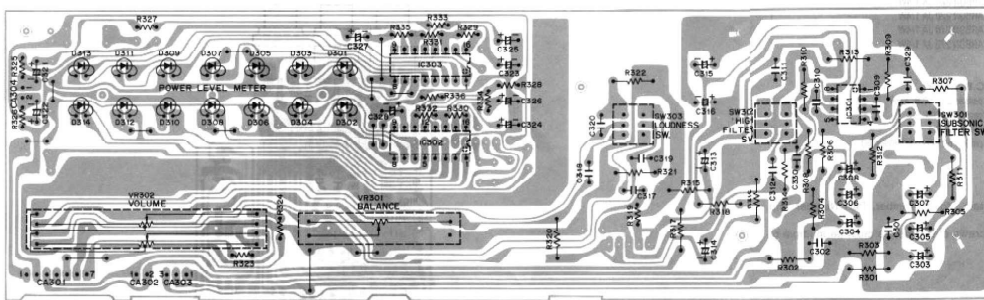
FUNCTION LED P.C. BOARD (BOTTOM VIEW)



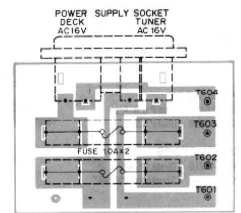
FUNCTION P.C. BOARD (BOTTOM VIEW)



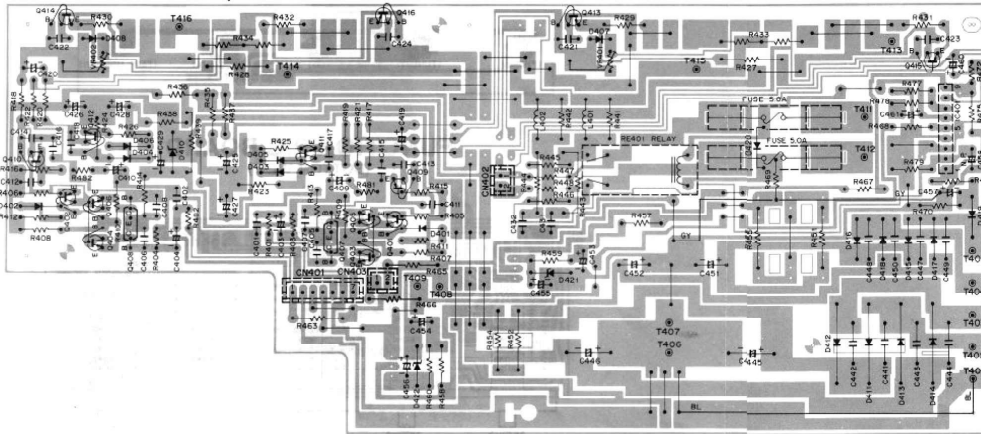
**PRE AMPLIFIER P.C. BOARD
(BOTTOM VIEW)**



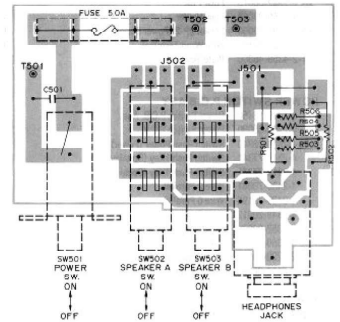
**TERMINAL P.C. BOARD
(BOTTOM VIEW)**



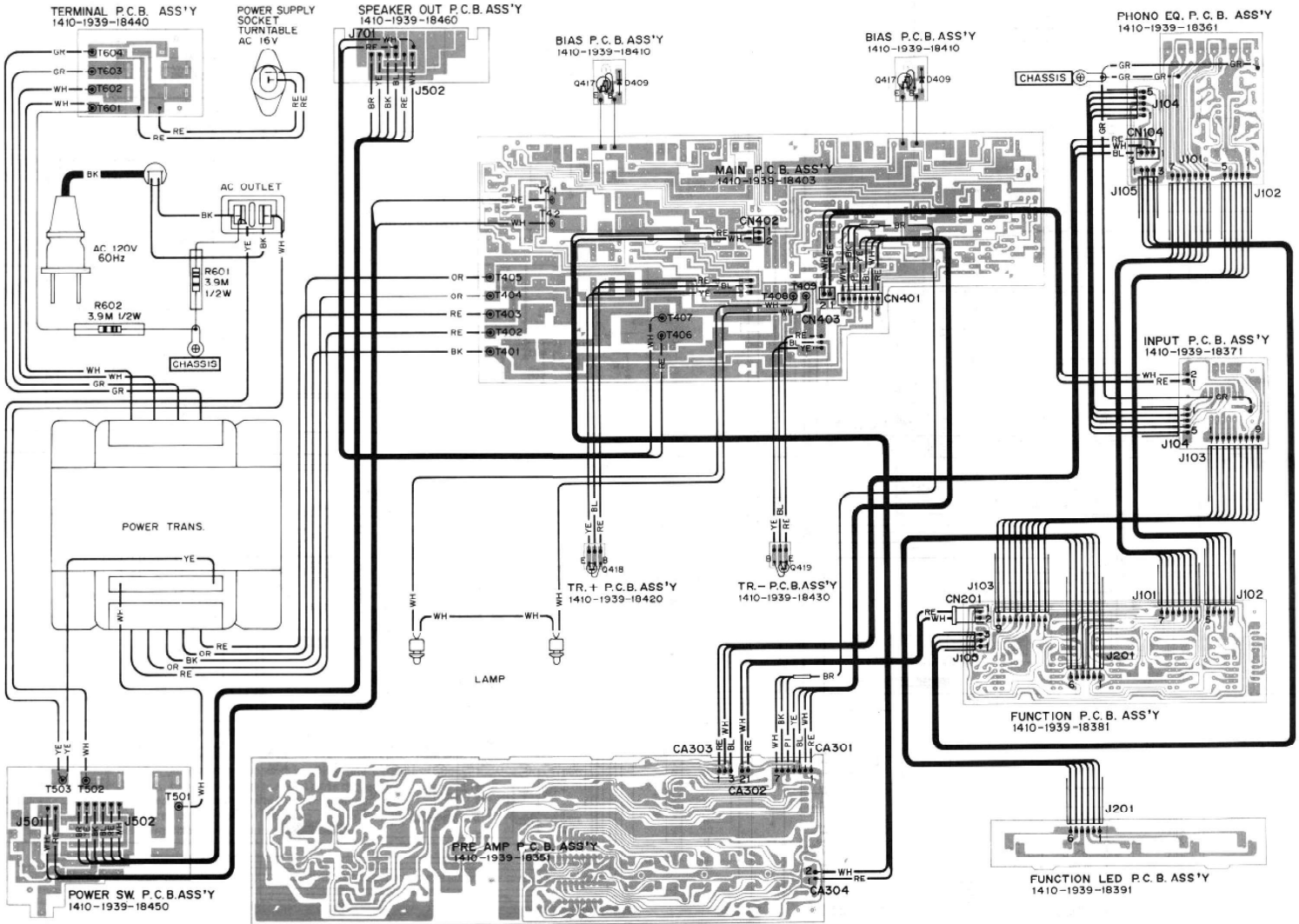
**GRA 11.0-1
MAIN PRINTED CIRCUIT BOARD
(BOTTOM VIEW)**



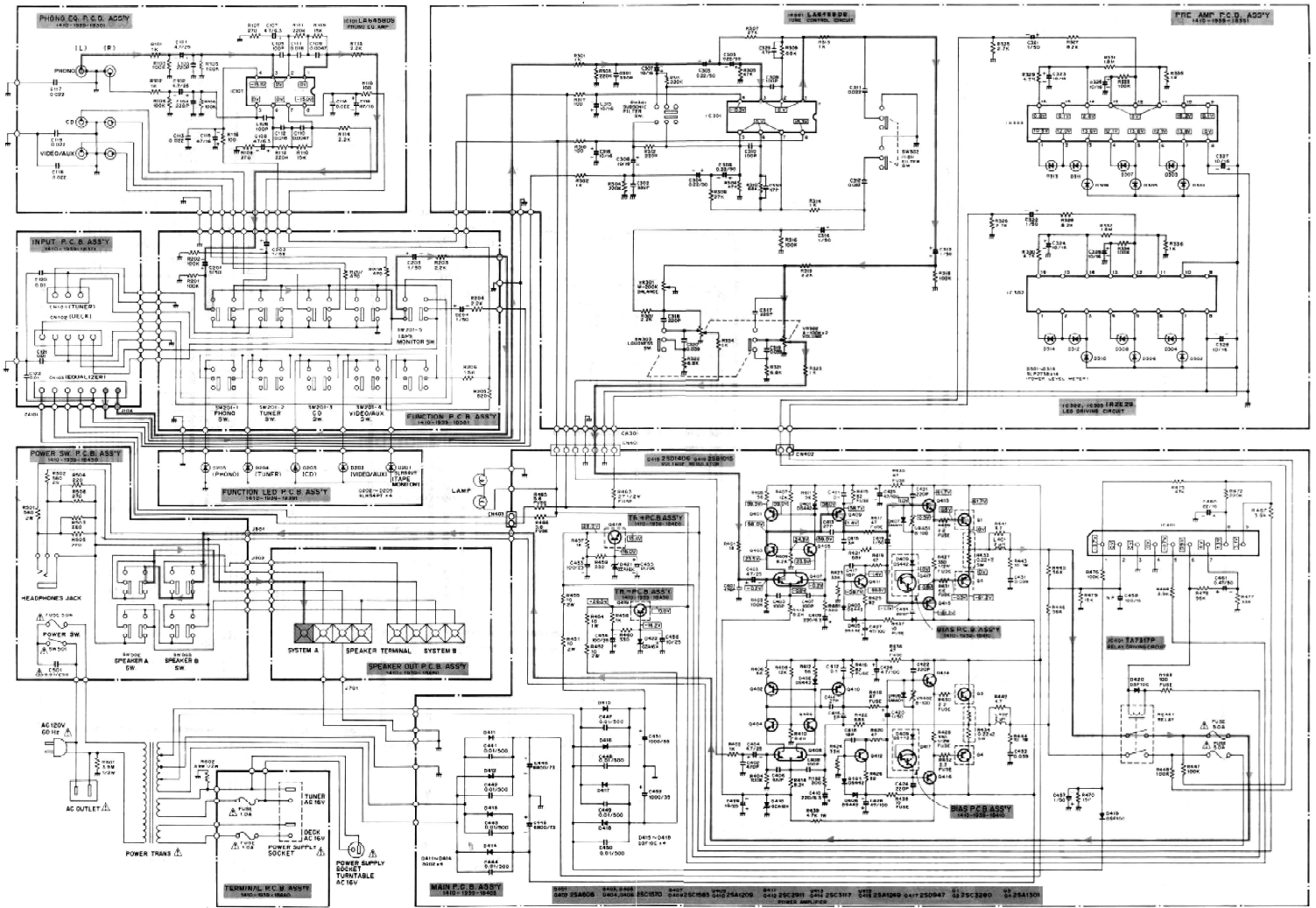
**POWER SWITCH P.C. BOARD
(BOTTOM VIEW)**



POINT TO POINT WIRING DIAGRAM



SCHEMATIC DIAGRAM



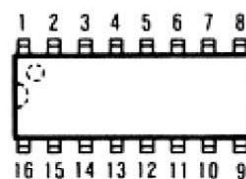
SEMICONDUCTOR LEAD IDENTIFICATION

TRANSISTOR	FRONT VIEW	BOTTOM VIEW
2SA 608 2SC 1570		
2SB 1015 2SD 1406		
2SA 1209 2SA 1249 2SC 2911 2SC 3117 2SD 947		
2SC 1583		
2SA 1301 2SC 3280		
TERMINAL NAME		
B → BASE C → COLLECTOR E → EMITTER		

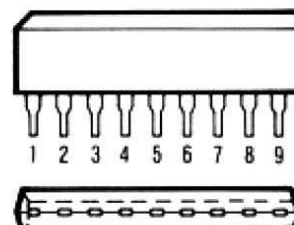
LA 6458 DS BOTTOM VIEW



IR 2E29 BOTTOM VIEW



TA 7317 P FRONT/BOTTOM VIEWS



PRODUCT SAFETY NOTICE

Each precaution in this manual should be followed during servicing. Components identified with the IEC symbol \triangle in the parts list and the schematic diagram designate components in which safety can be of special significance. When replacing a component identified with \triangle , use only the replacement parts designated, or parts with the same ratings of resistance, wattage or voltage that are designated in the parts list in this manual. Leakage-current or resistance measurements must be made to determine that exposed parts are acceptably insulated from the supply circuit before returning the product to the customer.

NOTES:

1. All resistors values are indicated in "ohm" ($K=10^3, M=10^6$)
2. All capacitors values are indicated in " μF " ($P=10^{-12}$)
3. All voltages indicated on the schematics are measured under the following conditions:
 - a. Use a V.T.V.M.

- b. All voltages $\pm 10\%$ with respect to chassis ground.
- c. No signals at input terminals
- d. AC input at 120 volts 60 Hz.
4. This is a basic schematic diagram.

Because Fisher products are subject to continuous improvement, Fisher Corporation reserves the right to make any changes or modifications without notice.



 **FISHER**[®]

Studio-Standard[®]

FISHER CORPORATION, 21314 LASSEN STREET • CHATSWORTH • CALIFORNIA 91311

Printed in Japan May/'86/3,500