

SERVICE MANUAL

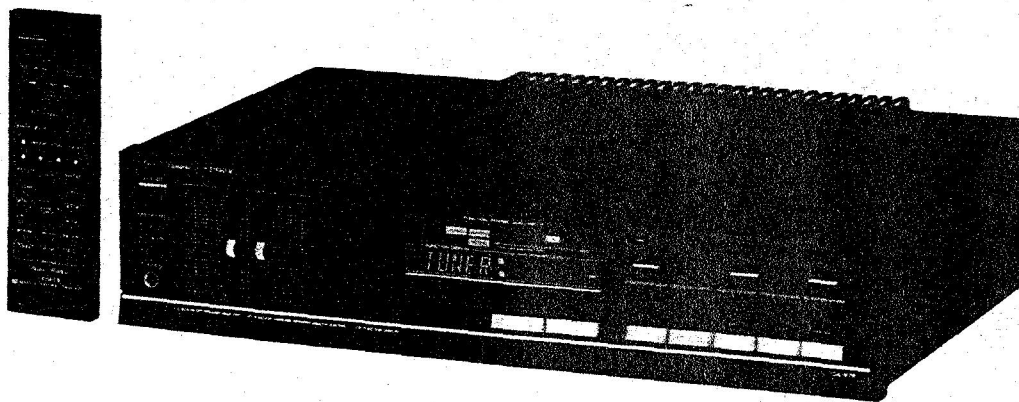


FISHER

INTEGRATED STEREO AMPLIFIER

CA-876

(EUROPE)



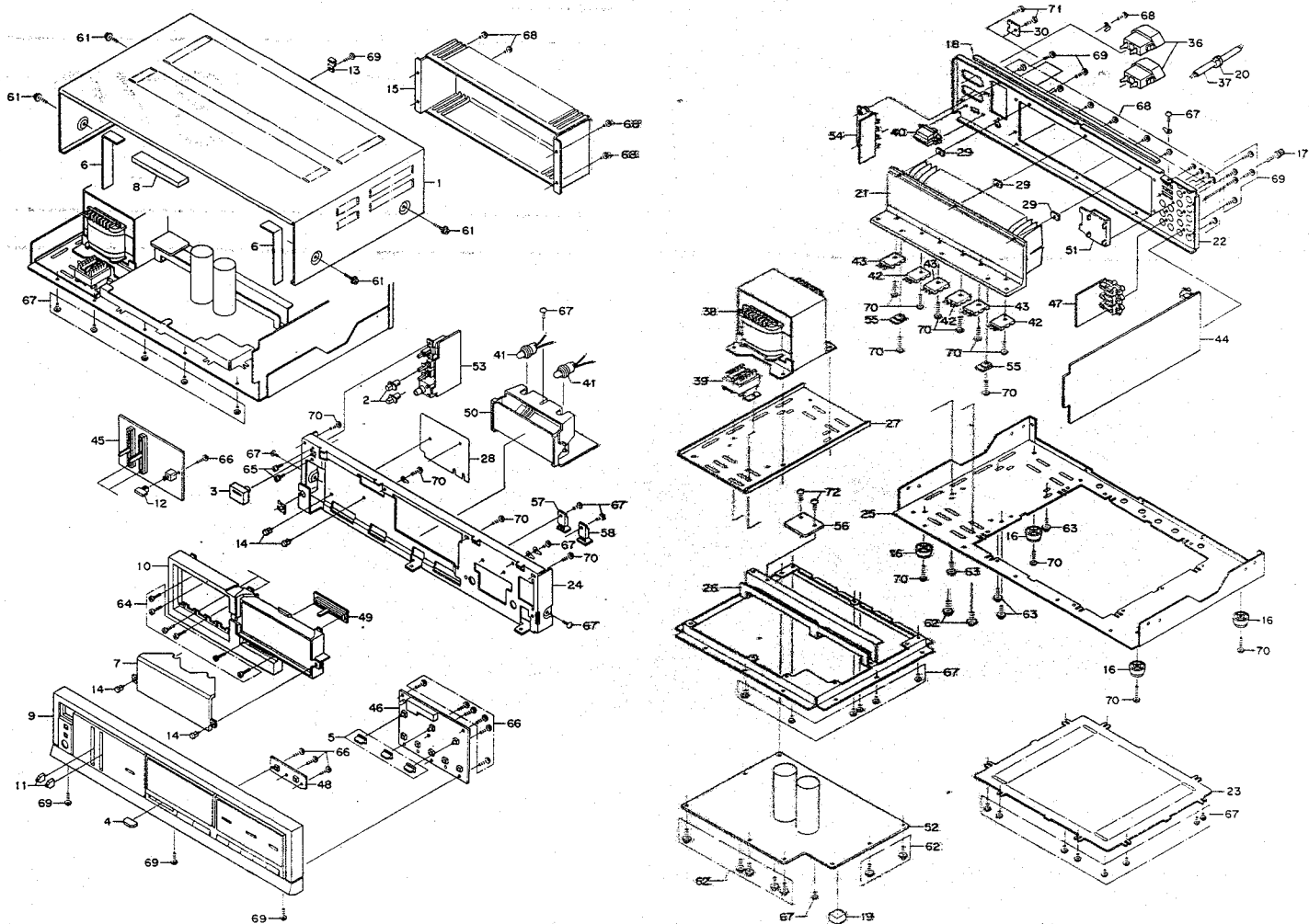
132 299 47

SPECIFICATIONS

Remote Control (REM-876)	37-function, wireless remote control	Phono Max. Input Capability	150 mV
POWER AMPLIFIER SECTION		Tone Controls	
Minimum RMS power (8-ohm load at 1 kHz)		Bass (100 Hz)	±10 dB
Both Channel Driven	160 Watts	Treble (10 kHz)	±10 dB
Per Channel Driven	200 Watts	Loudness Contour (100 Hz/10 kHz)	+8 dB/+4 dB
Music Power	260 Watts	Hum and Noise (IHF Short Circuit, A Network)	
Total Peak Music Power	1040 Watts	Phono	70 dB
Total Harmonic Distortion	0.05 %	Tape Monitor 1, 2	90 dB
I.M. Distortion	0.05 %	Tuner/CD/Video	90 dB
Speaker Damping	>20	GENERAL	
PREAMPLIFIER SECTION		Power Requirements (50Hz)	AC 110/220 V
Frequency Response		Power Consumption	550 Watts
Phono (RIAA)	±1 dB	AC Outlets	2
CD (20 Hz – 20 kHz)	±1 dB	Dimensions (W x H x D)	440 x 107 x 316 mm
Input Sensitivity and Impedance		Weight (approx.)	9.3 kg
Phono	2.5 mV/50 kΩ		
Tape Monitor 1, 2	150 mV/50 kΩ		
Tuner/CD/Video	150 mV/50 kΩ		

- Specifications and design are subject to change without notice.-

CABINET & CHASSIS EXPLODED VIEW



POWER AMPLIFIER ADJUSTMENT

BEFORE ADJUSTMENT

Unplug the AC power cord and set the front panel controls as follows:

- Power switch to OFF position.
- Set the SPEAKERS switch to the OFF position.
- Set the volume level to minimum level by Pressing the VOLUME DOWN button.
- IDLING CURRENT ADJUSTMENT VR501/VR502 (on the Main Amplifier P.C.Board) setting to mechanical center position.
- Connect the AC power cord and Power Switch to the ON position.

IDLING CURRENT ADJUSTMENT

This adjustment is very sensitive to changes in ambient temperature. Allow set to operate for 2 minutes before attempting this alignment.

LEFT AMPLIFIER

- 1) Connect the DC Voltmeter between Pins 19 and 21 on the Main Amplifier P.C.Board.
- 2) Adjust the VR501 for an indication of 9mV (7mV ~ 15mV) on the DC Voltmeter.

RIGHT AMPLIFIER

- 1) Connect the DC Voltmeter between Pins 20 and 22 on the Main Amplifier P.C.Board.
- 2) Adjust the VR502 for an indication of 9mV (7mV ~ 15mV) on the DC Voltmeter.

CABINET & CHASSIS PARTS LIST

PRODUCT SAFETY NOTICE

Each precaution in this manual should be followed during servicing. Components identified with the IEC symbol Δ in the parts list and the schematic diagram designate components in which safety can be of special significance. When replacing a component identified with Δ , use only the replacement parts designated, or parts with the same ratings of resistance, wattage or voltage that are designated in the parts list in this manual.

Leakage-current or resistance measurements must be made to determine that exposed parts are acceptably insulated from the supply circuit before returning the product to the customer.

Ref. No.	Part No.	Description	Q'ty	Ref. No.	Part No.	Description	Q'ty
PACKAGE				22	141-2-1219-40913	Panel Rear	1
	3-9415-10300	Bag Polyethylene	1	23	141-2-1259-11200	Bottom Cover	1
	131-6-3009-36090	Pad	1	24	141-2-2149-31200	Panel Front	1
	131-6-3009-36700	Pad	2	25	141-2-3119-31600	Chassis	1
	131-6-3069-16350	Patching Sheet	1	26	141-2-3129-06600	Sub Chassis	1
	131-6-4559-11200	Serial No. Sheet	2	27	141-2-3159-05800	Metal Reinforce	1
	141-6-1189-28506	Box Corrugate-Exp.	1	28	141-2-3229-62900	Plate Shield	1
	141-6-1469-11700	Pad (Front)	1	29	141-2-4359-41200	Plate Sever	3
	141-6-1469-11800	Pad (Rear)	1	30	131-2-7104-00500	Plate Pad Switch	1
	141-6-2519-22290	Sheet Polyethylene	1				
ACCESSORIES				36	Δ 4-2352-00450	AC Socket (AC OUTLET)	2
	4-1929-70303	REM-876 (Remote Control)	1	37	Δ 4-2432-00400	Power Cord	1
	131-6-2719-10401	Bag Fan	1	38	Δ 4-2512-25020	Power Trans (Main)	1
	142-6-4119-33684	Explanatory Booklet	1	39	Δ 4-2512-23760	Power Trans (Sub)	1
				40	Δ 4-2312-01020	Switch Slide (AC SELECTOR) [S901]	1
				41	4-6129-70724	Lamp	2
				42	405 017 7804	TR 2SC3281-O [Q515, Q516, Q546]	3
				or	405 060 2504	TR 2SD1975-P [Q515, Q516]	2
				43	405 003 4008	TR 2SA1302-O [Q517, Q518, Q545]	3
				or	405 031 9006	TR 2SB1163-P [Q517, Q518]	2
				44	141-0-1939-23333	Input P.C.B. Assy	1
				45	141-0-1939-23340	Tone P.C.B. Assy	1
				46	141-0-1939-23350	Control P.C.B. Assy	1
				47	141-0-1939-23360	Pin Jack P.C.B. Assy	1
				48	141-0-1939-23370	Volume SW. P.C.B. Assy	1
				49	141-0-1939-23380	Balance Volume P.C.B. Assy	1
				50	141-0-1939-23390	LCD P.C.B. Assy	1
				51	141-0-1939-23401	Remote Control Input P.C.B. Assy	1
				52	141-0-1939-23410	Main AMP P.C.B. Assy	1
				53	141-0-1939-23420	Power SW. P.C.B. Assy	1
				54	141-0-1939-23430	Speaker Terminal P.C.B. Assy	1
				55	141-0-1939-23450	Bias P.C.B. Assy	2
				56	141-0-1939-23290	Lamp P.C.B. Assy	1
				57	141-0-1939-23520	Transistor (SUB) P.C.B. Assy	1
				58	141-0-1939-23560	Transistor (+ B) P.C.B. Assy	1
				61	141-2-4219-38400	Screw, Bind Hd. Tapping-B, +M4.0X8 Sems	4
				62	131-2-4201-25201	Screw, Brazier Hd. Tapping-B, +M3.0X8	9
				63	141-2-4219-43300	Screw, Bind Hd. Tapping-C, +M4.0X10	4
				64	411 002 4901	SCR PAN 2X4	6
				65	411 003 8908	SCR PAN+SW 3X6	2
				66	411 020 5706	SCR S-TPG BRZ 2.6X8	10
				67	411 020 7700	SCR S-TPG BRZ 3X6	27
				68	411 099 9704	SCR S-TPG BRZ 3X6	16
				69	411 099 9803	SCR S-TPG BRZ 3X8	11
				70	411 020 5904	SCR S-TPG BRZ 3X10	16
				71	411 002 9104	SCR PAN 3X8	2
				72	411 020 8004	SCR S-TPG BRZ 3X8	2
				C901	403 074 2701	CERAMIC 0.047U Z 50V	1
				C902	403 074 2701	CERAMIC 0.047U Z 50V	1
CABINET & CHASSIS							
	4-2379-21520	Terminal Lug	2				
	131-6-4559-11200	Serial No. Sheet	1				
	141-2-4729-07100	Wire Band	20				
1	131-2-1410-35400	Cover	1				
2	131-2-1601-69601	Knob (Speaker Selector)	2				
3	131-2-1601-93303	Knob (Power Switch)	1				
4	131-2-1601-93400	Knob (Balance)	1				
5	131-2-1601-99800	Knob Tact	3				
6	131-2-3202-13400	Metal Reinforce	2				
7	131-2-3608-16413	Filter	1				
8	131-2-5205-33300	Cushion	1				
9	141-0-1129-29314	Cabinet Front Assy	1				
	141-2-1129-56903	Cabinet Front	1				
	141-2-1449-79920	Plate Front	1				
	141-2-1319-52300	Window	1				
	131-2-3608-16600	Filter	1				
	141-2-1449-65014	Plate Decorate	1				
	131-2-1601-99700	Knob (Volume)	1				
	131-2-1601-91800	Knob (Function)	1				
	4-2359-78079	Connector 1P Assy	1				
	411 020 5508	SCR S-TPG BRZ 2.6X6	1				
	131-2-6113-52400	Shelter	1				
	4-2352-02721	Connector 1P Assy	1				
10	141-0-3519-26700	Mount P.C.B. Assy	1				
	141-2-3519-84700	Mount P.C.B.	1				
	141-2-1449-65110	Screen LCD	1				
	141-2-3229-62500	Plate Shield	1				
	4-2359-79034	Connector 1P Assy	1				
11	141-2-1659-35900	Knob Slide (Tone)	2				
12	141-2-1659-77800	Knob Push (Tape-2 Monitor)	1				
13	141-2-3159-03300	Bracket Cover	1				
14	131-2-4221-00600	Rivet	4				
15	131-2-1410-34856	Cover Heat Sink	1				
16	131-2-1801-14100	Leg	4				
17	131-2-4201-17800	Screw Ground	1				
18	131-2-5205-15800	Cushion	1				
19	131-2-5205-35900	Cushion	1				
20	131-2-6111-14200	Bushing (4N-4)	1				
21	131-2-6201-36101	Heat Sink	1				

NOTES:

- Parts order must contain Model Number, Part Number and Description.
- Ordering quantity of screws and resistors must be multiple of 10 pcs.

P.C. BOARD PARTS LIST

Ref. No.	Part No.	Description	Q'ty	Ref. No.	Part No.	Description	Q'ty
INPUT P.C.B. ASSY				R104	401 024 7707	CARBON 100K JA 1/6W	1
44	141-0-1939-23333	Input P.C.B. Assy	1	R105	401 024 7707	CARBON 100K JA 1/6W	1
	4-2352-01700	Pin Jack 4P (PHONO, TUNER)	1	R106	401 024 7707	CARBON 100K JA 1/6W	1
	4-2352-01700	Pin Jack 4P (CD, VIDEO)	1	R107	401 026 2700	CARBON 300 JA 1/6W	1
	4-2352-01700	Pin Jack 4P (TAPE-1)	1	R108	401 026 2700	CARBON 300 JA 1/6W	1
	4-2259-71080	Crystal 4.194304MHz	1	R109	401 025 8703	CARBON 220K JA 1/6W	1
	4-2359-79429	Connector 1P Assy	1	R110	401 025 8703	CARBON 220K JA 1/6W	1
CN101	4-2362-00900	Plug 8P	1	R111	401 025 1902	CARBON 15K JA 1/6W	1
CN102	4-2352-02650	Socket Jumper 4P	1	R112	401 025 1902	CARBON 15K JA 1/6W	1
CN103	4-2369-73140	Plug 4P	1	R113	401 024 7707	CARBON 100K JA 1/6W	1
CN104	4-2369-73980	Plug 4P	1	R114	401 024 7707	CARBON 100K JA 1/6W	1
CN105	4-2369-76410	Plug 4P	1	R115	401 024 7004	CARBON 1K JA 1/6W	1
CN106	4-2369-73160	Plug 6P	1	R116	401 024 7004	CARBON 1K JA 1/6W	1
CN502	4-2359-79240	Connector 8P Assy	1	R117	401 024 7004	CARBON 1K JA 1/6W	1
D101	407 005 3805	DIODE DS442-BT	1	R118	401 024 7004	CARBON 1K JA 1/6W	1
D102	407 004 9105	DIODE DSF10C-BT	1	R119	401 027 6103	CARBON 680K JA 1/6W	1
or	407 060 9606	DIODE 11E2	1	R120	401 027 6103	CARBON 680K JA 1/6W	1
D103	407 008 7206	DIODE MA700	1	R121	401 024 7004	CARBON 1K JA 1/6W	1
D104	407 005 3805	DIODE DS442-BT	1	R122	401 024 7004	CARBON 1K JA 1/6W	1
D105	407 005 3805	DIODE DS442-BT	1	R123	401 027 6103	CARBON 680K JA 1/6W	1
D106	407 008 7206	DIODE MA700	1	R124	401 027 6103	CARBON 680K JA 1/6W	1
IC101	409 070 4800	IC NJM2068DD	1	R125	401 024 7004	CARBON 1K JA 1/6W	1
IC102	409 072 0909	IC TC9163N	1	R126	401 024 7004	CARBON 1K JA 1/6W	1
IC103	410 014 9904	IC TMP47C460AN-2	1	R127	401 026 4902	CARBON 330K JA 1/6W	1
Q101	405 004 4502	TR 2SA608-F-NP	1	R128	401 026 4902	CARBON 330K JA 1/6W	1
Q102	405 019 2708	TR 2SC536-F-NP	1	R129	401 024 7004	CARBON 1K JA 1/6W	1
Q103	405 004 4502	TR 2SA608-F-NP	1	R130	401 024 7004	CARBON 1K JA 1/6W	1
Q104	405 019 2708	TR 2SC536-F-NP	1	R131	401 025 8703	CARBON 220K JA 1/6W	1
C101	403 023 5807	CERAMIC 330P K 50V	1	R132	401 025 8703	CARBON 220K JA 1/6W	1
C102	403 023 5807	CERAMIC 330P K 50V	1	R133	401 024 7004	CARBON 1K JA 1/6W	1
C103	403 023 5807	CERAMIC 330P K 50V	1	R134	401 024 7004	CARBON 1K JA 1/6W	1
C104	403 023 5807	CERAMIC 330P K 50V	1	R135	401 027 9005	CARBON 82K JA 1/6W	1
C105	403 047 1502	ELECT 4.7U M 25V	1	R136	401 027 9005	CARBON 82K JA 1/6W	1
C106	403 047 1502	ELECT 4.7U M 25V	1	R137	401 016 2604	CARBON 220 JA 1/4W	1
C107	403 018 8509	CERAMIC 220P K 50V	1	R138	401 016 2604	CARBON 220 JA 1/4W	1
C108	403 018 8509	CERAMIC 220P K 50V	1	R141	401 020 0801	CARBON 470 JA 1/4W	1
C109	403 039 2906	ELECT 47U M 6.3V	1	R142	401 026 4308	CARBON 3.3K JA 1/6W	1
C110	403 039 2906	ELECT 47U M 6.3V	1	R143	401 025 7805	CARBON 2.2K JA 1/6W	1
C111	403 059 0401	POLYESTER 0.018U K 50V	1	R144	401 025 0608	CARBON 1.3K JA 1/6W	1
C112	403 059 0401	POLYESTER 0.018U K 50V	1	R145	401 024 7400	CARBON 10K JA 1/6W	1
C113	403 061 8709	POLYESTER 4700P K 50V	1	R146	401 024 6700	CARBON 100 JA 1/6W	1
C114	403 061 8709	POLYESTER 4700P K 50V	1	R147	401 024 7707	CARBON 100K JA 1/6W	1
C115	403 047 1502	ELECT 4.7U M 25V	1	R148	401 024 7400	CARBON 10K JA 1/6W	1
C116	403 047 1502	ELECT 4.7U M 25V	1	R149	401 024 7400	CARBON 10K JA 1/6W	1
C119	403 045 0507	ELECT 100U M 25V	1	R150	401 024 7400	CARBON 10K JA 1/6W	1
C120	403 045 0507	ELECT 100U M 25V	1	R151	401 024 7400	CARBON 10K JA 1/6W	1
C141	403 074 2701	CERAMIC 0.047U Z 50V	1	R152	401 024 7400	CARBON 10K JA 1/6W	1
C143	403 042 0302	ELECT 10U M 16V	1	R153	401 024 7400	CARBON 10K JA 1/6W	1
C144	403 069 8404	CERAMIC 0.01U Z 50V	1	R154	401 024 7400	CARBON 10K JA 1/6W	1
C145	403 043 3104	ELECT 2200U M 16V	1	R155	401 024 7400	CARBON 10K JA 1/6W	1
C146	403 048 7602	ELECT 0.47U M 50V	1	R156	401 024 7400	CARBON 10K JA 1/6W	1
C147	403 049 1609	ELECT 1U M 50V	1	R157	401 024 7400	CARBON 10K JA 1/6W	1
C148	403 018 4204	CERAMIC 22P K 50V	1	R158	401 024 7400	CARBON 10K JA 1/6W	1
C149	403 018 4204	CERAMIC 22P K 50V	1	R159	401 024 7400	CARBON 10K JA 1/6W	1
C150	403 057 0908	POLYESTER 0.01U K 50V	1	R160	401 024 7400	CARBON 10K JA 1/6W	1
C151	403 073 6502	CERAMIC 470P K 50V	1	R161	401 024 7400	CARBON 10K JA 1/6W	1
C152	403 073 6502	CERAMIC 470P K 50V	1	R162	401 024 7400	CARBON 10K JA 1/6W	1
C153	403 073 6502	CERAMIC 470P K 50V	1	R163	401 024 7400	CARBON 10K JA 1/6W	1
C154	403 073 6502	CERAMIC 470P K 50V	1	R164	401 014 4105	CARBON 1.5K JA 1/4W	1
C160	403 074 2701	CERAMIC 0.047U Z 50V	1	R165	401 024 7400	CARBON 10K JA 1/6W	1
C161	403 074 2701	CERAMIC 0.047U Z 50V	1	R166	401 024 7400	CARBON 10K JA 1/6W	1
C162	403 074 2701	CERAMIC 0.047U Z 50V	1	R167	401 024 7400	CARBON 10K JA 1/6W	1
C163	403 018 8509	CERAMIC 220P K 50V	1	R168	401 024 7400	CARBON 10K JA 1/6W	1
R101	401 024 7004	CARBON 1K JA 1/6W	1	R169	401 024 7400	CARBON 10K JA 1/6W	1
R102	401 024 7004	CARBON 1K JA 1/6W	1	R171	401 027 0309	CARBON 47K JA 1/6W	1
R103	401 024 7707	CARBON 100K JA 1/6W	1	R172	401 012 7009	CARBON 10K JA 1/4W	1

P.C. BOARD PARTS LIST (Continued)

Ref. No.	Part No.	Description	Q'ty	Ref. No.	Part No.	Description	Q'ty
R173	401 024 7400	CARBON 10K JA 1/6W	1	R301	401 025 2305	CARBON 150K JA 1/6W	1
R174	401 024 7400	CARBON 10K JA 1/6W	1	R302	401 025 2305	CARBON 150K JA 1/6W	1
R175	401 024 7400	CARBON 10K JA 1/6W	1	R303	401 026 9907	CARBON 4.7K JA 1/6W	1
R176	401 024 7400	CARBON 10K JA 1/6W	1	R304	401 026 9907	CARBON 4.7K JA 1/6W	1
R177	401 024 7400	CARBON 10K JA 1/6W	1	R305	401 024 7707	CARBON 100K JA 1/6W	1
R178	401 027 0507	CARBON 470K JA 1/6W	1	R306	401 024 7707	CARBON 100K JA 1/6W	1
R179	401 024 7400	CARBON 10K JA 1/6W	1	R307	401 024 7004	CARBON 1K JA 1/6W	1
R180	401 024 7400	CARBON 10K JA 1/6W	1	R308	401 024 7004	CARBON 1K JA 1/6W	1
R181	401 024 7400	CARBON 10K JA 1/6W	1	R309	401 027 3003	CARBON 56K JA 1/6W	1
R182	401 024 7400	CARBON 10K JA 1/6W	1	R310	401 027 3003	CARBON 56K JA 1/6W	1
R183	401 024 7400	CARBON 10K JA 1/6W	1	R311	401 025 8703	CARBON 220K JA 1/6W	1
R184	401 024 7400	CARBON 10K JA 1/6W	1	R312	401 025 8703	CARBON 220K JA 1/6W	1
R185	401 024 7707	CARBON 100K JA 1/6W	1	R313	401 025 8703	CARBON 220K JA 1/6W	1
R186	401 024 7707	CARBON 100K JA 1/6W	1	R314	401 025 8703	CARBON 220K JA 1/6W	1
R187	401 024 7707	CARBON 100K JA 1/6W	1	R315	401 025 4903	CARBON 180K JA 1/6W	1
				R316	401 025 4903	CARBON 180K JA 1/6W	1
				R317	401 025 1902	CARBON 15K JA 1/6W	1
				R318	401 014 5201	CARBON 15K JA 1/4W	1
				R319	401 025 7805	CARBON 2.2K JA 1/6W	1
				R320	401 025 7805	CARBON 2.2K JA 1/6W	1
				R321	401 025 1902	CARBON 15K JA 1/6W	1
				R322	401 025 1902	CARBON 15K JA 1/6W	1
				R323	401 026 9600	CARBON 470 JA 1/6W	1
				R324	401 026 9600	CARBON 470 JA 1/6W	1
				R325	401 018 2800	CARBON 330 JA 1/4W	1
				R326	401 018 2800	CARBON 330 JA 1/4W	1
				R331	401 024 7004	CARBON 1K JA 1/6W	1
				R332	401 024 7004	CARBON 1K JA 1/6W	1
TONE P.C.B. ASSY				CONTROL P.C.B. ASSY			
45	141-0-1939-23340	Tone P.C.B. Assy	1	46	141-0-1939-23350	Control P.C.B. Assy	1
PC303	4-2352-02363	Connector 8P Assy	1		4-2359-79637	Connector 1P Assy	1
PC305	131-0-4006-31407	Cord Assy	1		4-2369-70740	Pin RT	3
S301	4-2319-77780	Switch Push 1key (TAPE-2 Monitor)	1		131-2-4208-28000	Spacer	1
VR301	4-2229-77200	Slide Volume (C-100k Ω x2, BASS)	1		131-2-4208-49500	Spacer	1
VR302	4-2229-77200	Slide Volume (C-100k Ω x2, TREBLE)	1		141-2-3229-62000	Cover Shield	1
IC301	409 070 4800	IC NJM2068DD	1	CN203	131-0-4006-31405	Cord Assy	1
or	409 018 4503	IC LA6458DS	1	CN204	4-2352-02958	Connector 4P Assy	1
or	409 057 4601	IC UPC4570HA	1	CN205	4-2352-02959	Connector 4P Assy	1
IC302	409 053 1901	IC TC9177P	1	S201	4-2319-78471	Tact Switch (POWER STANDBY)	1
Q301	405 010 9706	TR 2SC1571-G-NP	1	S202	4-2319-78471	Tact Switch (MUTING)	1
Q302	405 010 9706	TR 2SC1571-G-NP	1	S203	4-2319-78471	Tact Switch (LOUDNESS)	1
C301	403 047 1809	ELECT 4.7U M 25V	1	S204	4-2312-05300	Keyboard Switch 6mm (PHONO)	1
C302	403 047 1809	ELECT 4.7U M 25V	1	S205	4-2312-05300	Keyboard Switch 6mm (TUNER)	1
C303	403 038 5908	ELECT 22U M 6.3V	1	S206	4-2312-05300	Keyboard Switch 6mm (COMPACT DISC)	1
C304	403 038 5908	ELECT 22U M 6.3V	1	S207	4-2312-05300	Keyboard Switch 6mm (VIDEO/AUX)	1
C305	403 047 1809	ELECT 4.7U M 25V	1	S208	4-2312-05300	Keyboard Switch 6mm (TAPE-1 Monitor)	1
C306	403 047 1809	ELECT 4.7U M 25V	1	D201	407 005 3805	DIODE DS442-BT	1
C307	403 047 1809	ELECT 4.7U M 25V	1	D205	407 065 0905	PHOTO DIODE SPS-501C-1	1
C308	403 047 1809	ELECT 4.7U M 25V	1	D206	407 063 2109	LED SLR-54VT3 (POWER STANDBY)	1
C309	403 047 1809	ELECT 4.7U M 25V	1	IC201	409 056 9409	IC UPC1490HA	1
C310	403 047 1809	ELECT 4.7U M 25V	1	Q201	405 019 2708	TR 2SC536-F-NP	1
C311	403 067 7201	MT-COMPO 0.033U J 50V	1	Q202	405 019 2708	TR 2SC536-F-NP	1
C312	403 067 7201	MT-COMPO 0.033U J 50V	1	C201	403 038 2709	ELECT 100U M 6.3V	1
C313	403 071 1806	CERAMIC 180P K 50V	1	C202	403 072 8200	CERAMIC 330P K 50V	1
C314	403 071 1806	CERAMIC 180P K 50V	1	C203	403 046 3101	ELECT 3.3U M 25V	1
C315	403 068 9105	CERAMIC 100P K 50V	1	C204	403 048 3406	ELECT 0.22U M 50V	1
C316	403 068 9105	CERAMIC 100P K 50V	1	C205	403 038 2709	ELECT 100U M 6.3V	1
C317	403 068 9105	CERAMIC 100P K 50V	1	R201	401 012 4503	CARBON 100 JA 1/4W	1
C318	403 068 9105	CERAMIC 100P K 50V	1	R202	401 024 7400	CARBON 10K JA 1/6W	1
C319	403 071 5903	CERAMIC 220P K 50V	1	R203	401 025 3500	CARBON 160K JA 1/6W	1
C320	403 071 5903	CERAMIC 220P K 50V	1	R204	401 026 8108	CARBON 4.7 JA 1/6W	1
C321	403 047 1809	ELECT 4.7U M 25V	1	R205	401 020 0801	CARBON 470 JA 1/4W	1
C322	403 047 1809	ELECT 4.7U M 25V	1	R206	401 013 7305	CARBON 120K JA 1/4W	1
C323	403 042 0807	ELECT 10U M 16V	1	R207	401 027 0309	CARBON 47K JA 1/6W	1
C324	403 042 0807	ELECT 10U M 16V	1				
C325	403 059 5802	POLYESTER 0.022U J 50V	1				
C326	403 059 5802	POLYESTER 0.022U J 50V	1				
C327	403 067 6204	MT-COMPO 0.15U J 50V	1				
C328	403 067 6204	MT-COMPO 0.15U J 50V	1				
C329	403 061 2103	POLYESTER 3900P J 50V	1				
C330	403 061 2103	POLYESTER 3900P J 50V	1				
C331	403 060 2203	POLYESTER 0.027U J 50V	1				
C332	403 060 2203	POLYESTER 0.027U J 50V	1				
C333	403 044 0706	ELECT 47U M 16V	1				
C334	403 044 0706	ELECT 47U M 16V	1				
C340	403 024 8203	CERAMIC 390P K 50V	1				
C341	403 018 8509	CERAMIC 220P K 50V	1				

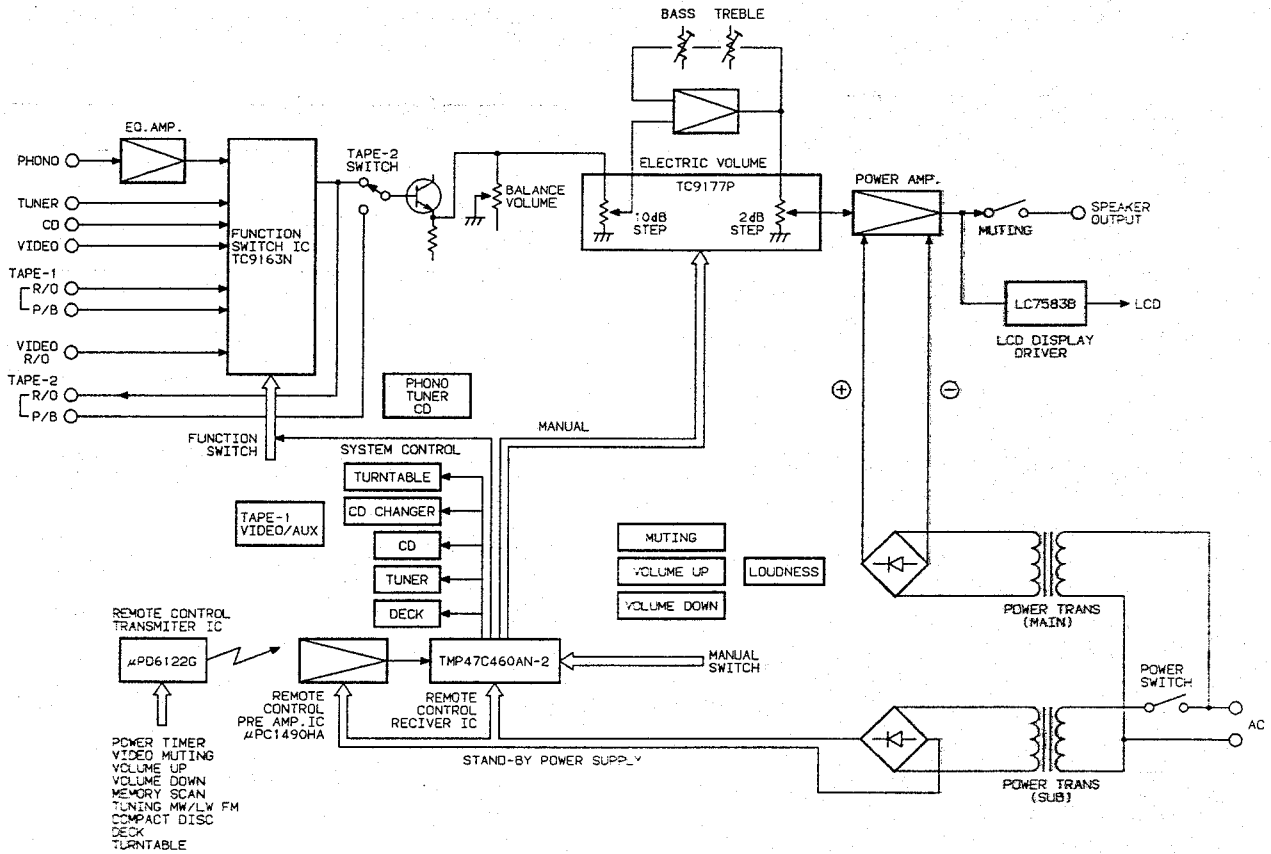
P.C. BOARD PARTS LIST (Continued)

Ref. No.	Part No.	Description	Q'ty	Ref. No.	Part No.	Description	Q'ty
D524	407 049 7708	ZENER DIODE GZA18X-BT	1	C527	4-2239-72120	Ceramic 220PF 500V K	1
D525	407 050 5502	ZENER DIODE GZA5.6Y-BT	1	C528	4-2239-72120	Ceramic 220PF 500V K	1
D526	407 008 0405	DIODE GMB01-BT	1	C529	4-2239-72120	Ceramic 220PF 500V K	1
D527	407 004 9105	DIODE DSF10C-BT	1	C530	4-2239-72120	Ceramic 220PF 500V K	1
or	407 060 9606	DIODE 11E2	1	C531	403 061 4404	POLYESTER 0.039U K 50V	1
D529	407 005 4703	DIODE DS446	1	C532	403 061 4404	POLYESTER 0.039U K 50V	1
D530	407 005 4703	DIODE DS446	1	C533	403 085 3407	NP-ELECT 47U M 10V	1
D531	407 005 4703	DIODE DS446	1	C534	403 044 8207	ELECT 10U M 25V	1
D532	407 005 4703	DIODE DS446	1	C537	403 041 3304	ELECT 47U M 10V	1
D533	407 061 3207	DIODE 30D2	1	C538	403 039 4504	ELECT 470U M 6.3V	1
D534	407 061 3207	DIODE 30D2	1	C539	403 044 8207	ELECT 10U M 25V	1
D535	407 003 5504	DIODE DBA10C	1	C541	403 044 8207	ELECT 10U M 25V	1
D536	407 049 6503	ZENER DIODE GZA13X	1	C542	403 044 8207	ELECT 10U M 25V	1
Q501	405 011 0306	TR 2SC1583-F	1	C543	403 044 8207	ELECT 10U M 25V	1
Q502	405 011 0306	TR 2SC1583-F	1	C544	403 044 8207	ELECT 10U M 25V	1
Q503	405 004 4502	TR 2SA608-F-NP	1	C545	403 045 0507	ELECT 100U M 25V	1
Q504	405 004 4502	TR 2SA608-F-NP	1	C546	403 045 0507	ELECT 100U M 25V	1
Q505	405 013 7600	TR 2SC2291-F	1	C547	404 012 5709	ELECT 4700U M 40V	1
Q506	405 013 7600	TR 2SC2291-F	1	C548	404 012 5709	ELECT 4700U M 40V	1
Q507	405 002 9103	TR 2SA1209-S	1	C549	404 012 6904	CERAMIC 0.047U Z 150V	1
Q508	405 002 9103	TR 2SA1209-S	1	C550	404 012 6904	CERAMIC 0.047U Z 150V	1
Q509	405 016 3906	TR 2SC2911-S	1	C551	404 012 6904	CERAMIC 0.047U Z 150V	1
Q510	405 016 3906	TR 2SC2911-S	1	C552	404 012 6904	CERAMIC 0.047U Z 150V	1
Q511	405 017 2502	TR 2SC3117-R	1	C553	404 012 6904	CERAMIC 0.047U Z 150V	1
Q512	405 017 2502	TR 2SC3117-R	1	C554	404 012 6904	CERAMIC 0.047U Z 150V	1
Q513	405 003 1502	TR 2SA1249-R	1	C555	404 012 6904	CERAMIC 0.047U Z 150V	1
Q514	405 003 1502	TR 2SA1249-R	1	C556	404 012 6904	CERAMIC 0.047U Z 150V	1
Q519	405 019 2708	TR 2SC536-F-NP	1	C557	4-2239-70970	Capacitor 0.01MF400V	1
Q520	405 019 2708	TR 2SC536-F-NP	1	C558	403 043 4903	ELECT 33U M 16V	1
Q521	405 003 7900	TR 2SA1348	1	C559	404 031 7302	ELECT 8200U M 85V	1
or	405 034 6804	TR DTA114-ES	1	C560	404 031 7302	ELECT 8200U M 85V	1
Q522	405 004 4502	TR 2SA608-F-NP	1	C562	403 049 1609	ELECT 1U M 50V	1
Q523	405 019 2708	TR 2SC536-F-NP	1	C563	4-2239-72120	Ceramic 220PF 500V K	1
Q526	405 007 5100	TR 2SB560-E-MP	1	C564	4-2239-72120	Ceramic 220PF 500V K	1
Q527	405 019 2708	TR 2SC536-F-NP	1	C565	403 075 8504	CERAMIC 120P K 500V	1
Q529	405 016 2206	TR 2SC2878-A	1	C566	403 075 8504	CERAMIC 120P K 500V	1
Q530	405 016 2206	TR 2SC2878-A	1	C567	403 067 5603	MT-COMPO 0.1U J 50V	1
Q531	405 019 2708	TR 2SC536-F-NP	1	C568	403 067 5603	MT-COMPO 0.1U J 50V	1
Q541	405 013 6801	TR 2SC2274-E	1	C570	403 049 5409	ELECT 10U M 50V	1
Q542	405 006 6504	TR 2SA984-E	1	C571	403 074 2701	CERAMIC 0.047U Z 50V	1
Q543	405 007 7906	TR 2SB631-E	1	C572	403 074 2701	CERAMIC 0.047U Z 50V	1
Q544	405 024 2809	TR 2SD600-E	1	C573	403 074 2701	CERAMIC 0.047U Z 50V	1
C501	403 071 5903	CERAMIC 220P K 50V	1	C574	403 074 2701	CERAMIC 0.047U Z 50V	1
C502	403 071 5903	CERAMIC 220P K 50V	1	C575	403 050 9908	ELECT 330U M 50V	1
C503	403 047 1502	ELECT 4.7U M 25V	1	R501	401 024 7004	CARBON 1K JA 1/6W	1
C504	403 047 1502	ELECT 4.7U M 25V	1	R502	401 024 7004	CARBON 1K JA 1/6W	1
C505	403 023 5807	CERAMIC 330P K 50V	1	R503	401 024 7707	CARBON 100K JA 1/6W	1
C506	403 023 5807	CERAMIC 330P K 50V	1	R504	401 024 7707	CARBON 100K JA 1/6W	1
C507	403 023 5807	CERAMIC 330P K 50V	1	R505	401 027 2600	CARBON 5.6K JA 1/6W	1
C508	403 023 5807	CERAMIC 330P K 50V	1	R506	401 027 2600	CARBON 5.6K JA 1/6W	1
C509	403 039 2906	ELECT 47U M 6.3V	1	R507	401 027 5908	CARBON 68K JA 1/6W	1
C510	403 039 2906	ELECT 47U M 6.3V	1	R508	401 027 5908	CARBON 68K JA 1/6W	1
C511	4-2239-71190	Capacitor 27PF 500V	1	R509	401 025 6204	CARBON 2K JA 1/6W	1
C512	4-2239-71190	Capacitor 27PF 500V	1	R510	401 025 6204	CARBON 2K JA 1/6W	1
C513	4-2239-72020	Ceramic 3 PF 500V	1	R511	401 027 8602	CARBON 8.2K JA 1/6W	1
C514	4-2239-72020	Ceramic 3 PF 500V	1	R512	401 027 8602	CARBON 8.2K JA 1/6W	1
C515	403 067 5603	MT-COMPO 0.1U J 50V	1	R513	401 027 2105	CARBON 56 JA 1/6W	1
C516	403 067 5603	MT-COMPO 0.1U J 50V	1	R514	401 027 2105	CARBON 56 JA 1/6W	1
C517	4-2239-71120	Capacitor 18PF 500V	1	R515	401 026 7408	CARBON 39K JA 1/6W	1
C518	4-2239-71120	Capacitor 18PF 500V	1	R516	401 026 7408	CARBON 39K JA 1/6W	1
C519	403 054 9706	ELECT 47U M 100V	1	R517	401 027 8602	CARBON 8.2K JA 1/6W	1
C520	403 054 9706	ELECT 47U M 100V	1	R518	401 027 8602	CARBON 8.2K JA 1/6W	1
C521	403 054 9706	ELECT 47U M 100V	1	R519	401 027 2105	CARBON 56 JA 1/6W	1
C522	403 054 9706	ELECT 47U M 100V	1	R520	401 027 2105	CARBON 56 JA 1/6W	1
C523	403 049 1609	ELECT 1U M 50V	1	R521	401 026 4605	CARBON 33K JA 1/6W	1
C524	403 049 1609	ELECT 1U M 50V	1	R522	401 026 4605	CARBON 33K JA 1/6W	1

P.C.BOARD PARTS LIST (Continued)

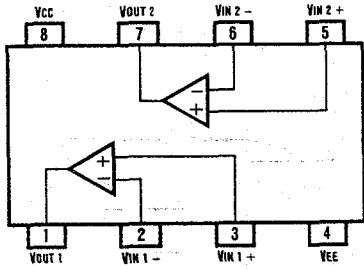
Ref. No.	Part No.	Description	Q'ty	Ref. No.	Part No.	Description	Q'ty
R523	402 015 5603	FUSIBLE RES 82 J- 1/4W	1	S703	4-2319-77341	SW Push 1key (SPEAKER B)	1
R524	402 015 5603	FUSIBLE RES 82 J- 1/4W	1	C701	4-2239-71040	Capacitor 1000P 400V	1
R525	402 015 9700	FUSIBLE RES 82 J- 1/4W	1	R701	401 069 3009	OXIDE-MT 680 JA 2W	1
R526	402 015 5603	FUSIBLE RES 82 J- 1/4W	1	R702	401 069 3009	OXIDE-MT 680 JA 2W	1
R527	402 015 3005	FUSIBLE RES 10 J- 1/4W	1	R703	401 017 0807	CARBON 270 JA 1/4W	1
R528	402 015 3005	FUSIBLE RES 10 J- 1/4W	1	R704	401 017 0807	CARBON 270 JA 1/4W	1
R529	402 015 3005	FUSIBLE RES 10 J- 1/4W	1	R705	401 017 0807	CARBON 270 JA 1/4W	1
R530	402 015 3005	FUSIBLE RES 10 J- 1/4W	1	R706	401 017 0807	CARBON 270 JA 1/4W	1
R531	402 015 9205	FUSIBLE RES 47 J- 1/4W	1				
R532	402 015 9205	FUSIBLE RES 47 J- 1/4W	1				
R533	402 015 4705	FUSIBLE RES 47 J- 1/4W	1				
R534	402 015 9205	FUSIBLE RES 47 J- 1/4W	1				
R535	402 015 8406	FUSIBLE RES 2.2 J- 1/4W	1				
R536	402 015 3708	FUSIBLE RES 2.2 J- 1/4W	1				
R537	402 015 8406	FUSIBLE RES 2.2 J- 1/4W	1				
R538	402 015 8406	FUSIBLE RES 2.2 J- 1/4W	1				
R539	401 027 5908	CARBON 68K JA 1/6W	1				
R540	401 027 5908	CARBON 68K JA 1/6W	1				
R541	402 016 5107	FUSIBLE RES 330 J- 1/2W	1				
R542	402 016 5107	FUSIBLE RES 330 J- 1/2W	1				
R543	4-2219-70370	Cement 0.22X2 5W	1				
R544	4-2219-70370	Cement 0.22X2 5W	1				
R545	401 019 6203	CARBON 4.7 JA 1/4W	1				
R546	401 019 6203	CARBON 4.7 JA 1/4W	1				
R547	401 058 1207	OXIDE-MT 10 JB 1W	1				
R548	401 058 1207	OXIDE-MT 10 JB 1W	1				
R549	401 027 3003	CARBON 56K JA 1/6W	1				
R550	401 027 3003	CARBON 56K JA 1/6W	1				
R551	401 025 4606	CARBON 18K JA 1/6W	1				
R553	401 024 7400	CARBON 10K JA 1/6W	1				
R554	401 020 2904	CARBON 47K JA 1/4W	1				
R557	401 012 5708	CARBON 1K JA 1/4W	1				
R558	401 055 1804	OXIDE-MT 150 JB 1/2W	1				
R559	401 018 2800	CARBON 330 JA 1/4W	1				
R560	401 018 2800	CARBON 330 JA 1/4W	1				
R561	401 012 5708	CARBON 1K JA 1/4W	1				
R562	401 012 5708	CARBON 1K JA 1/4W	1				
R563	402 016 5305	FUSIBLE RES 390 J- 1/2W	1				
R566	401 024 7400	CARBON 10K JA 1/6W	1				
R567	401 062 2405	OXIDE-MT 4.7K JB 1W	1				
R569	401 024 7400	CARBON 10K JA 1/6W	1				
R570	401 024 7400	CARBON 10K JA 1/6W	1				
R571	401 027 0507	CARBON 470K JA 1/6W	1				
R572	401 027 0507	CARBON 470K JA 1/6W	1				
R573	401 021 3009	CARBON 5.6K JA 1/4W	1				
R574	401 021 3009	CARBON 5.6K JA 1/4W	1				
R575	401 022 1905	CARBON 680 JA 1/4W	1				
R576	401 022 1905	CARBON 680 JA 1/4W	1				
R577	401 013 5301	CARBON 1.2K JA 1/4W	1				
R578	401 013 5301	CARBON 1.2K JA 1/4W	1				
R579	401 015 2704	CARBON 1.8K JA 1/4W	1				
R580	401 015 2704	CARBON 1.8K JA 1/4W	1				
R582	401 013 5301	CARBON 1.2K JA 1/4W	1				
R587	401 099 2706	OXIDE-MT 1.8K JB 1W	1				
R588	401 099 2706	OXIDE-MT 1.8K JB 1W	1				
POWER SW. P.C.B. ASSY							
53	141-0-1939-23420	Power SW. P.C.B. Assy	1				
	4-2352-00970	Headphone Jack 3P (HEADPHONES)	1				
	4-2372-00830	EC Terminal 1P	2				
	111-2-6220-11100	Wire Wrap Terminal	3				
	131-2-6114-00200	Cover Safety	1				
W701	4-2439-73063	Wire 6 Parallel	1				
S701	4-2312-05710	SW Push Power (POWER)	1				
S702	4-2319-77341	SW Push 1key (SPEAKER A)	1				
				SPEAKER TERMINAL P.C.B. ASSY			
				54	141-0-1939-23430	Speaker Terminal P.C.B. Assy	1
					4-2372-01160	SP 8P Terminal (SPEAKERS)	1
				W702	4-2439-73065	Wire 2 Parallel	1
				C703	403 069 1504	CERAMIC 1000P K 50V	1
				C704	403 069 1504	CERAMIC 1000P K 50V	1
				C705	403 069 1504	CERAMIC 1000P K 50V	1
				C706	403 069 1504	CERAMIC 1000P K 50V	1
				BIAS P.C.B. ASSY			
				55	141-0-1939-20450	Bias P.C.B. Assy	2
				D601	407 008 0405	DIODE GMB01-BT	1
				G601	405 026 0803	TR 2SD947	1
				LAMP P.C.B. ASSY			
				56	141-0-1939-23290	Lamp P.C.B. Assy	1
					111-2-6220-11100	Wire Wrap Terminal	4
				TRANSISTOR (SUB) P.C.B. ASSY			
				57	141-0-1939-23520	Transistor (SUB) P.C.B. Assy	1
				Q537	405 022 1101	TR 2SD1266-P	1
				TRANSISTOR (+B) P.C.B. ASSY			
				58	141-0-1939-23560	Transistor (+B) P.C.B. Assy	1
				Q525	405 022 1101	TR 2SD1266-P	1
NOTES:							
1. Parts order must contain Model Number, Part Number and Description.							
2. Ordering quantity of screws and resistors must be multiple of 10 pcs.							

FUNCTIONAL BLOCK DIAGRAM

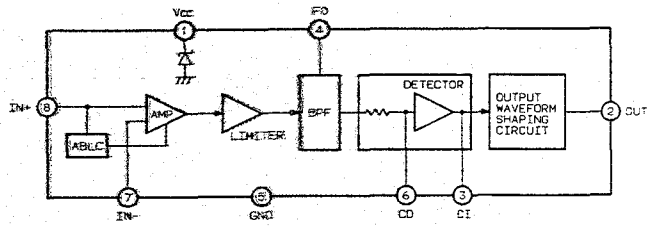


INTEGRATED CIRCUIT BLOCK DIAGRAM

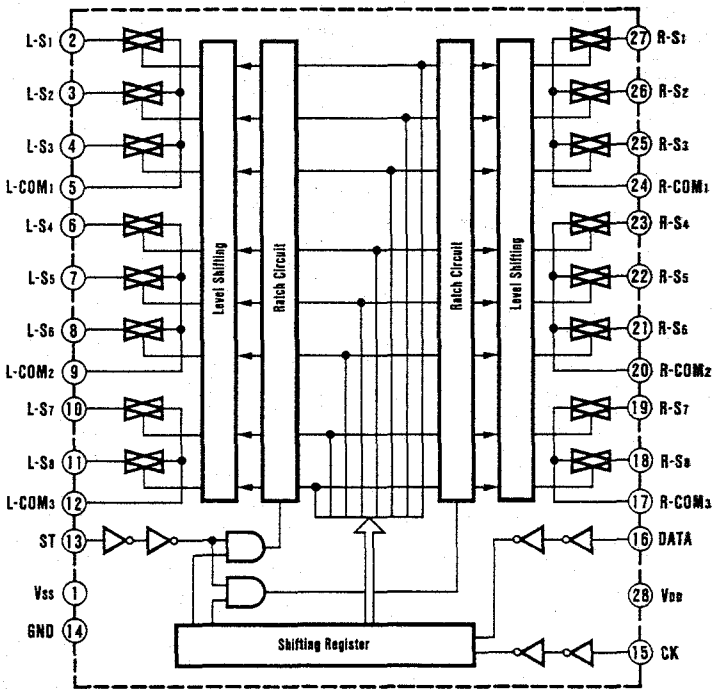
PHONO EQ. / TONE CONTROL AMP IC NJM 2068 DD



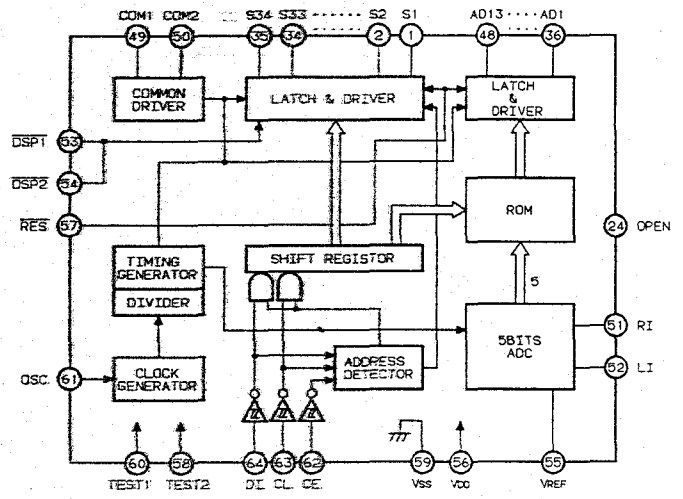
REMOTE CONTROL PRE AMP IC μ PC 1490 HA



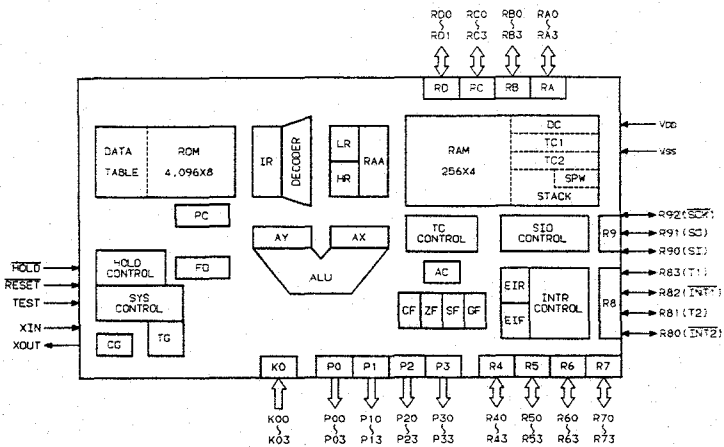
FUNCTION ANALOG SWITCH IC TC 9163 N



LCD DISPLAY DRIVER AMP IC LC 7583 B

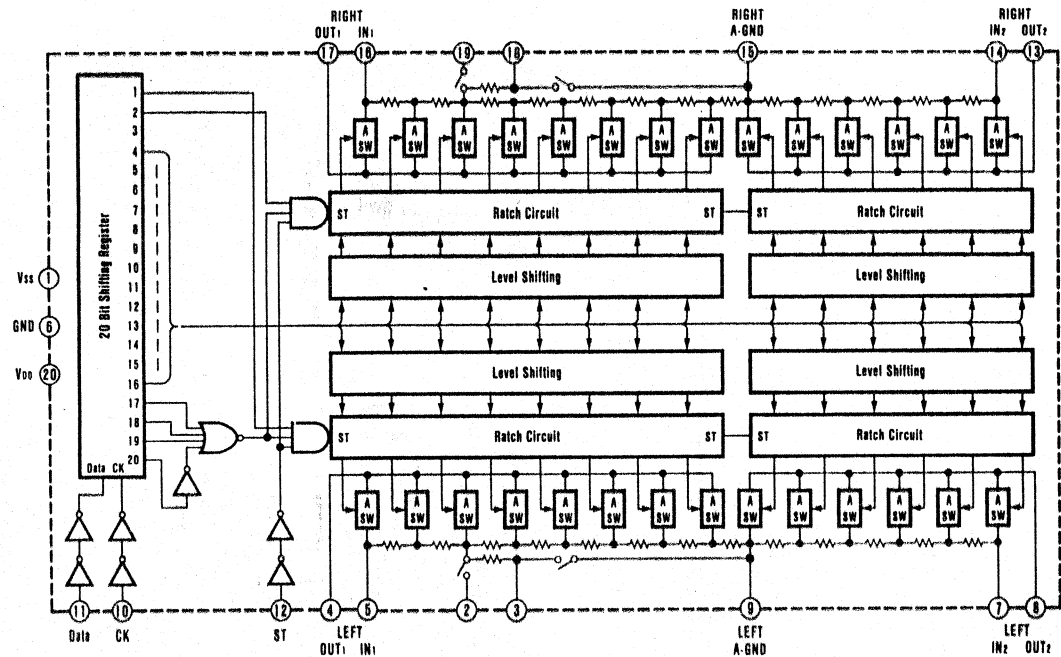


REMOTE CONTROL RECEIVER IC TMP 47C460AN-2

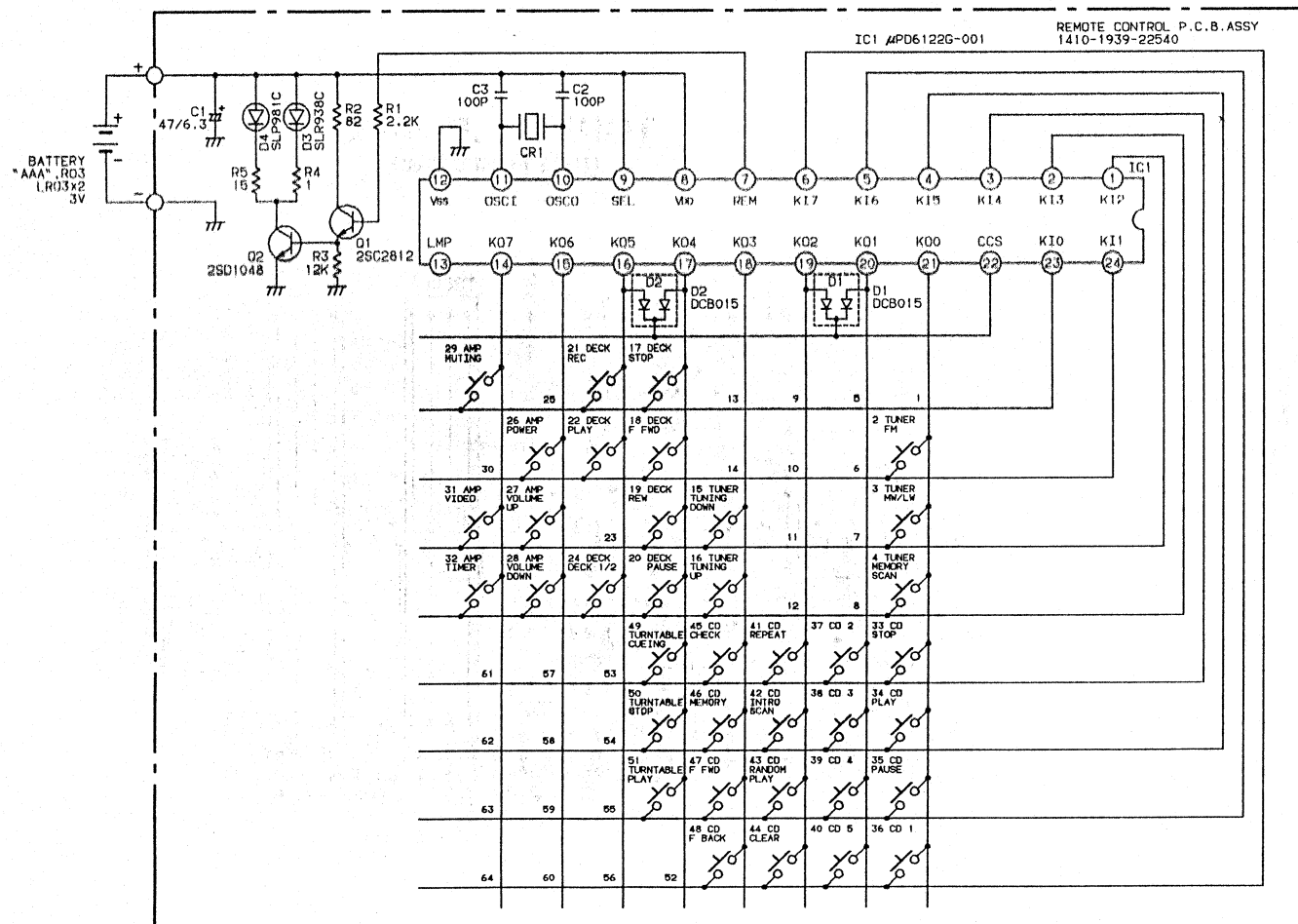


INTEGRATED CIRCUIT BLOCK DIAGRAM (Continued)

ELECTRONIC VOLUME (with Loudness) IC TC 9177P

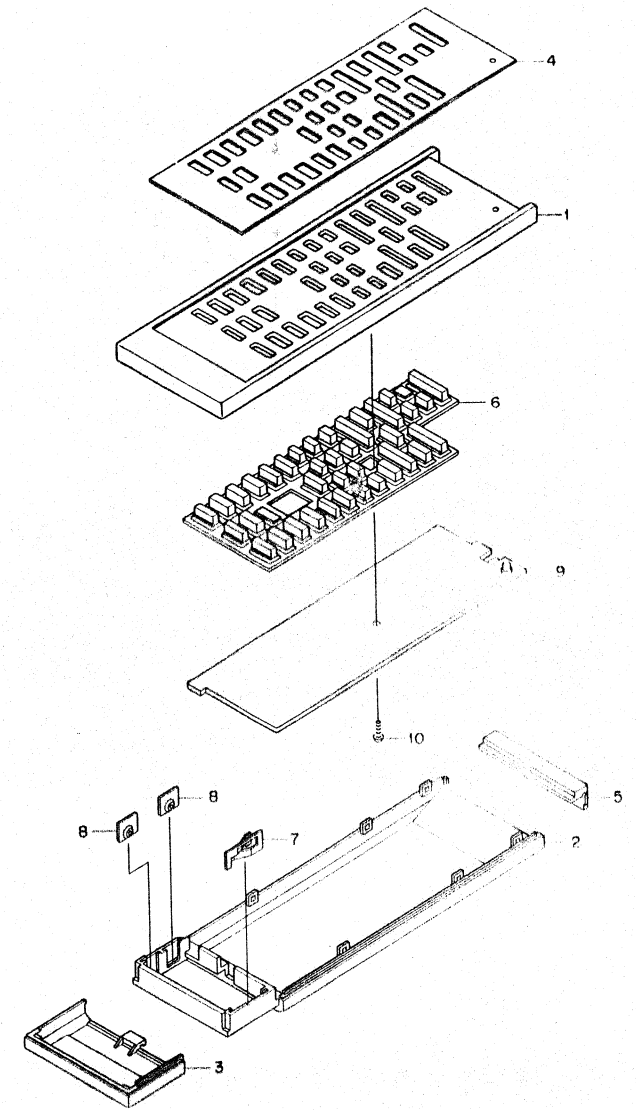


SCHEMATIC DIAGRAM (REMOTE CONTROL)



PARTS LIST & EXPLODED VIEW (REMOTE CONTROL)

Ref. No.	Part No.	Description	Q'ty
REMOTE CONTROL CABINET			
	4-1929-70303	REM-876 (Remote Control)	1
1	131-2-1101-53300	Cabinet Top	1
2	131-2-1101-53400	Cabinet Bottom	1
3	131-2-1107-27800	Lid Battery	1
4	131-2-1110-43009	Plate Decorate	1
5	131-2-6308-26700	Filter	1
6	141-2-1659-94404	Knob Rubber (37 Key)	1
7	141-2-3829-49700	Spring Battery	1
8	141-2-3829-49800	Terminal Anode	2
9	141-0-1939-22540	Remote Control P.C.B. Assy	1
10	411 020 7502	SCR S-TPG BRZ 3X5	1
REMOTE CONTROL P.C.B. ASSY			
9	141-0-1939-22540	Remote Control P.C.B. Assy	1
CR1	4-2279-70101	Ceramic OSC 456KHz	1
D1	407 004 0706	DIODE DCB015-TA	1
D2	407 004 0706	DIODE DCB015-TA	1
D3	407 040 4003	LED SLR-938C	1
D4	407 036 6301	LED SLP-981C-50	1
IC1	409 073 6207	IC UPD6122G-001	1
or	409 060 1604	IC UPD6102G	1
Q1	405 015 8704	TR 2SC2812-L6-TA	1
Q2	405 021 2505	TR 2SD1048-X8-TA	1
C1	403 039 2906	ELECT 47U M 6.3V	1
C2	403 068 9709	CERAMIC 100P K 50V	1
C3	403 068 9709	CERAMIC 100P K 50V	1
R1	402 024 1207	MT-GLAZE 2.2K JA 1/8W	1
R2	402 033 8402	MT-GLAZE 82 JA 1/8W	1
R3	402 033 8501	MT-GLAZE 12K JA 1/8W	1
R4	402 033 8303	MT-GLAZE 1 JA 1/8W	1
R5	402 022 9106	MT-GLAZE 15 JA 1/8W	1

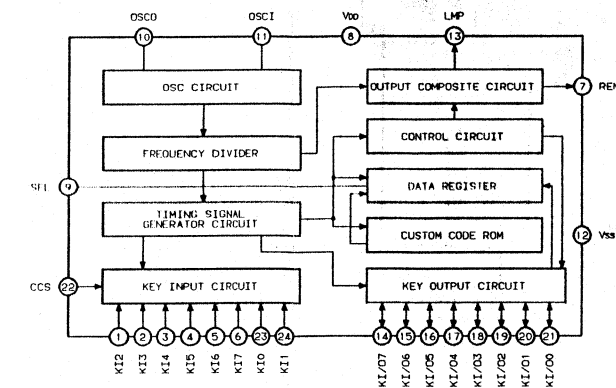


NOTES:

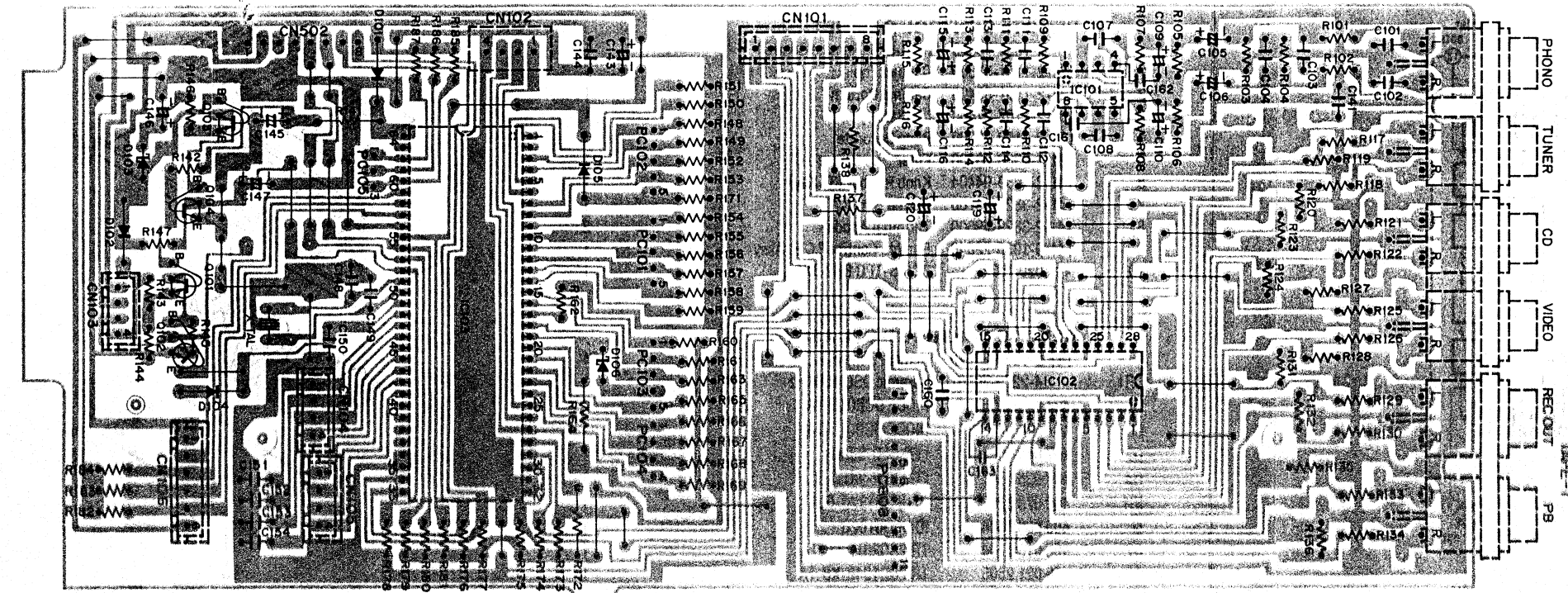
1. Parts order must contain Model Number, Part Number and Description.
2. Ordering quantity of screws and resistors must be multiple of 10 pcs.

INTEGRATED CIRCUIT BLOCK DIAGRAM

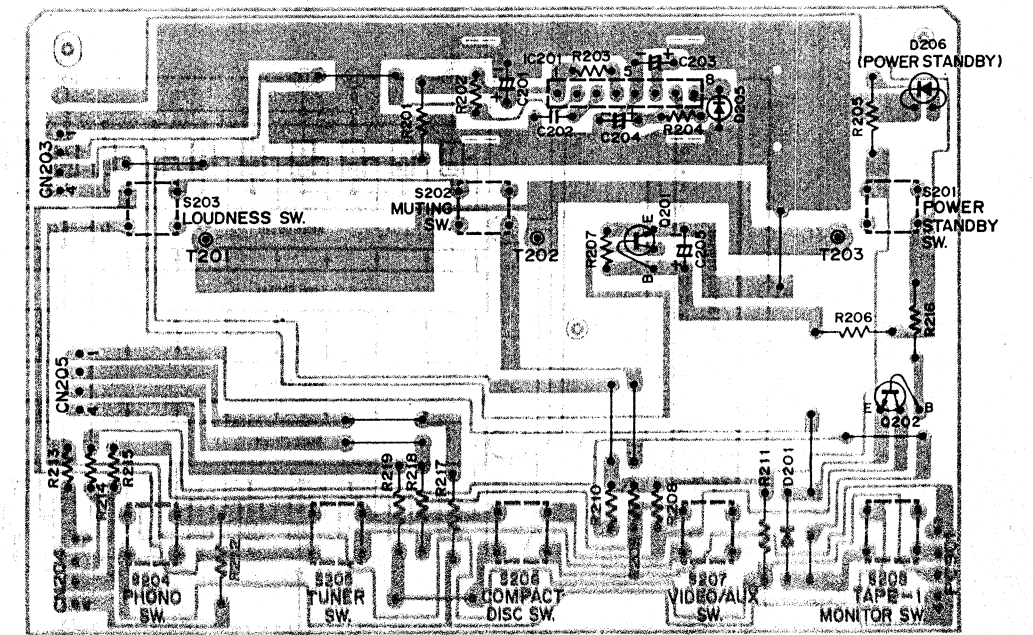
REMOTE CONTROL TRANSMITTER IC μPD 6122 G



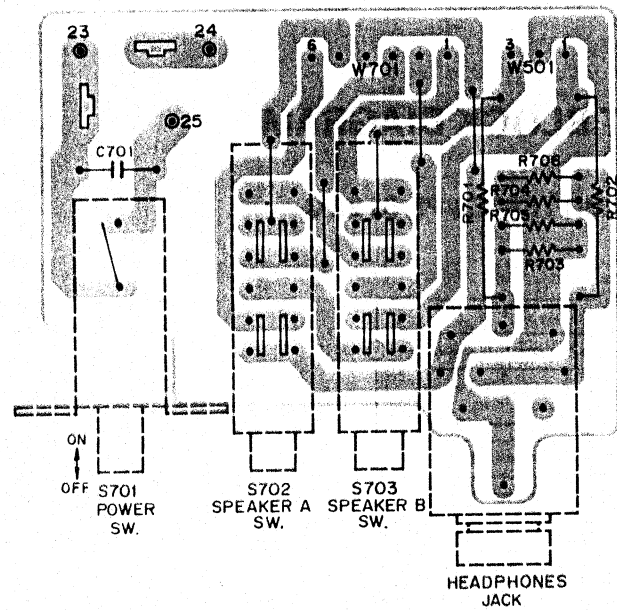
**INPUT PRINTED CIRCUIT BOARD
(BOTTOM VIEW)**



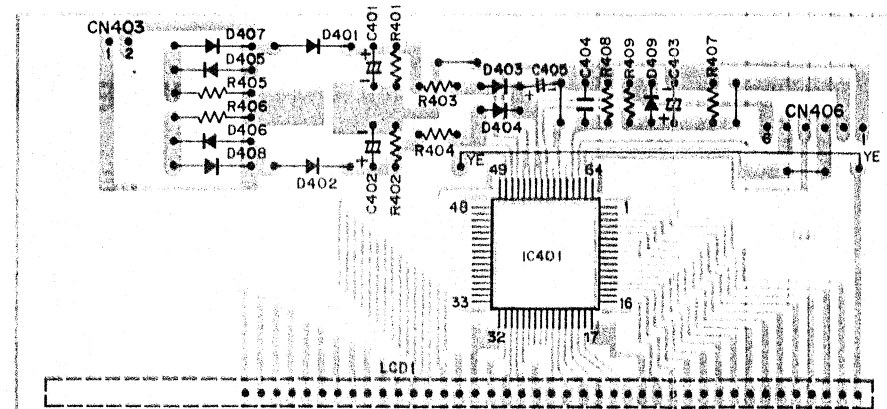
**CONTROL P.C. BOARD
(BOTTOM VIEW)**



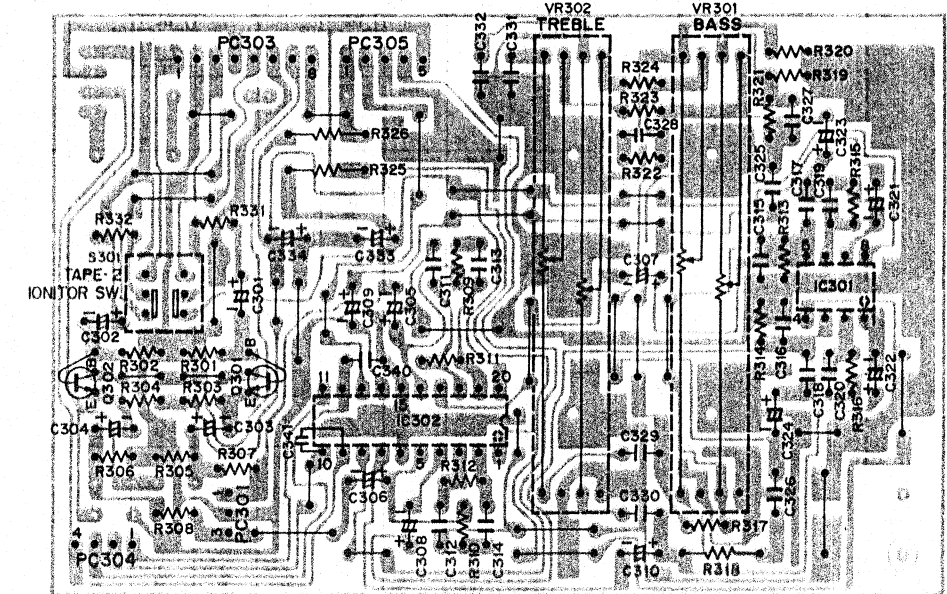
**POWER SWITCH P.C. BOARD
(BOTTOM VIEW)**



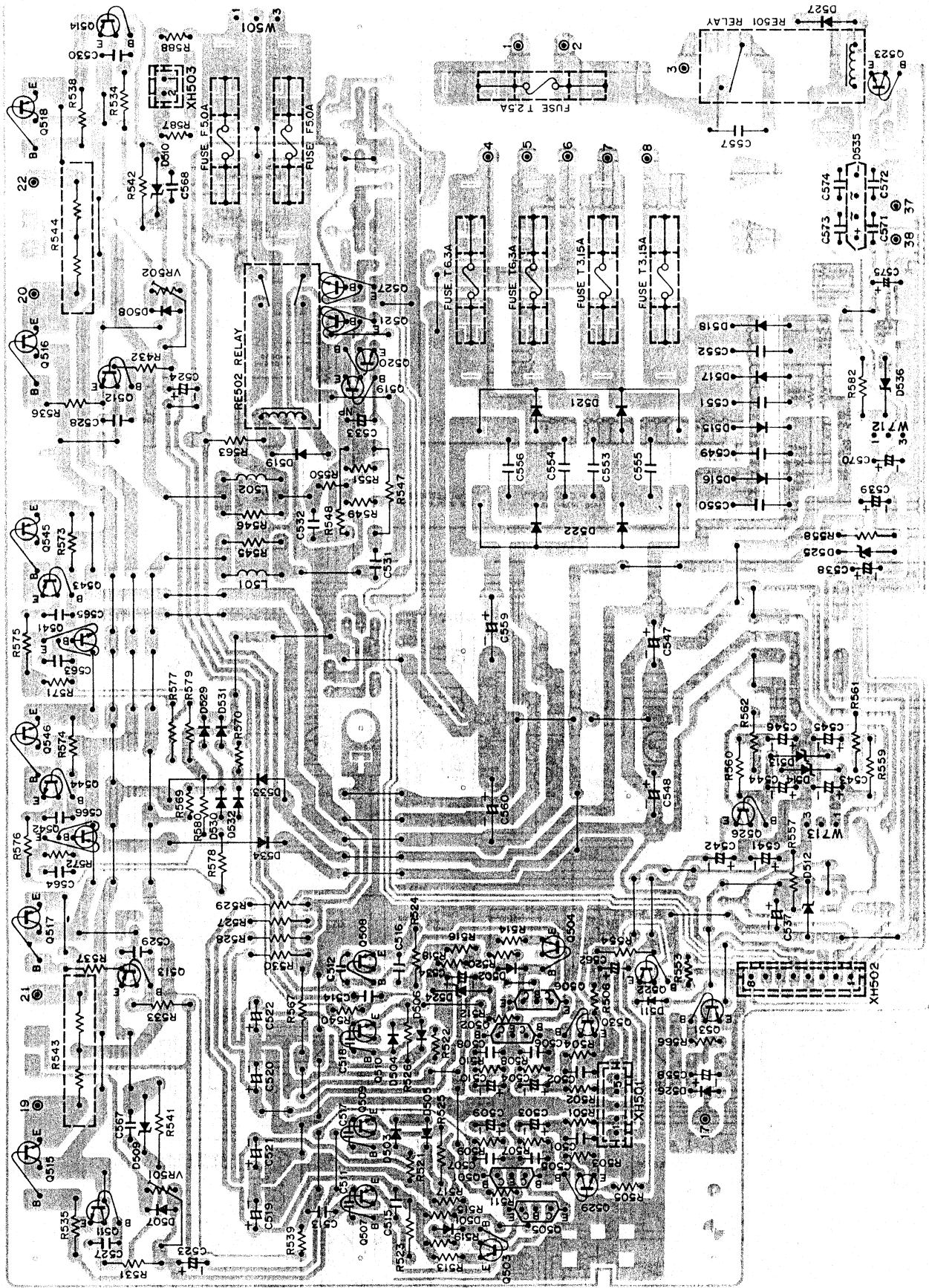
**LCD P.C. BOARD
(BOTTOM VIEW)**



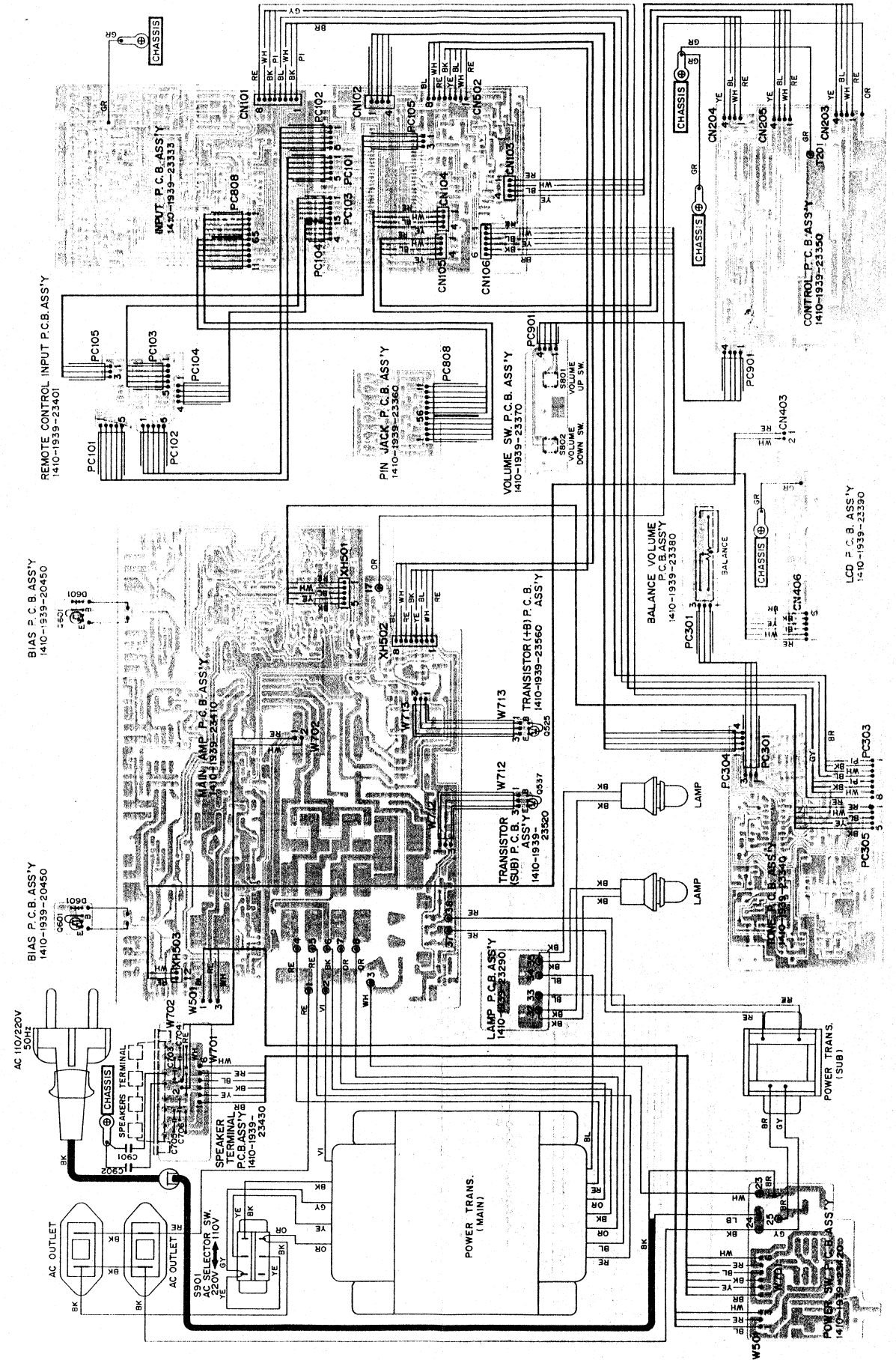
**TONE P.C. BOARD
(BOTTOM VIEW)**



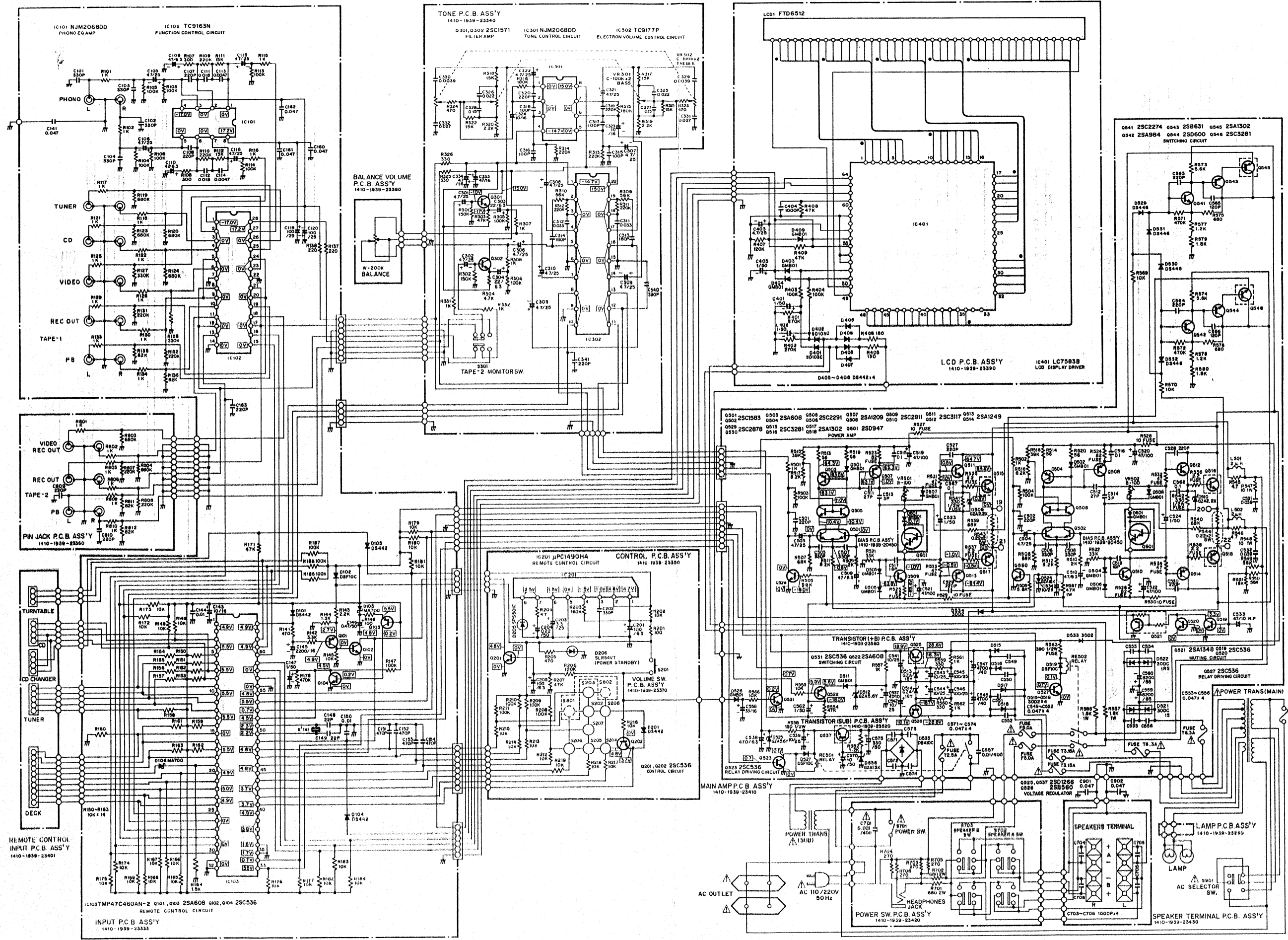
MAIN AMPLIFIER PRINTED CIRCUIT BOARD (BOTTOM VIEW)



POINT TO POINT WIRING DIAGRAM



SCHEMATIC DIAGRAM



SEMICONDUCTOR LEAD IDENTIFICATION

TRANSISTOR	FRONT VIEW	BOTTOM VIEW	TRANSISTOR	FRONT VIEW	BOTTOM VIEW
2SA 608 2SA 984 2SB 560 2SC 536 2SC 1571 2SC 2274 2SC 2878			2SA 1302 2SC 3281		
2SD 1266			2SC 2291		
2SA 1209 2SA 1249 2SB 631 2SC 2911 2SC 3117 2SD 600 2SD 947			2SA 1348		
2SC 1583			TERMINAL NAME B → BASE C → COLLECTOR E → EMITTER		

SWITCH POSITION TABLE

No.	Name	Position	No.	Name	Position
S201	POWER STANDBY Switch	OFF	S301	TAPE-2 MONITOR Switch	OFF
S202	MUTING Switch	OFF	S701	POWER Switch	OFF
S203	LOUDNESS Switch	OFF	S702	SPEAKER A Switch	OFF
S204	PHONO Switch	OFF	S703	SPEAKER B Switch	OFF
S205	TUNER Switch	OFF	S801	VOLUME UP Switch	OFF
S206	COMPACT DISC Switch	OFF	S802	VOLUME DOWN Switch	OFF
S207	VIDEO/AUX Switch	OFF	S901	AC SELECTOR Switch	220V
S208	TAPE-1 MONITOR Switch	OFF			

NOTES:

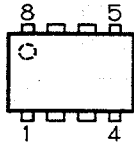
1. All resistors values are indicated in "ohm" ($K=10^3$, $M=10^6$).
2. All capacitors values are indicated in " μF " ($P=10^{-12}$).
3. All voltages indicated on the schematics are measured under the following conditions.
 - a. Use a V.T.V.M.

- b. All voltages $\pm 10\%$ with respect to chassis ground
- c. No signals at input terminals
- d. AC input at 220 volts 50 Hz
4. This is a basic schematic diagram.

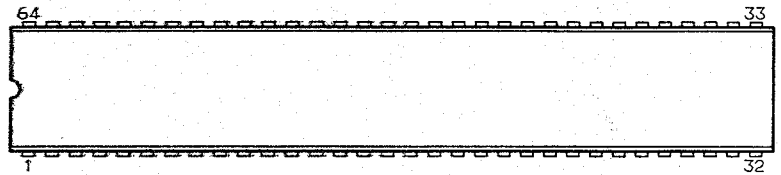
Because Fisher products are subject to continuous improvement, Fisher Corporation reserves the right to make any changes or modifications without notice.

SEMICONDUCTOR LEAD IDENTIFICATION (Continued)

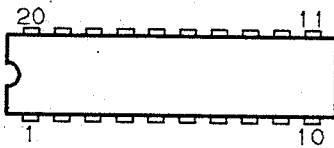
NJM 2068 DD TOP VIEW



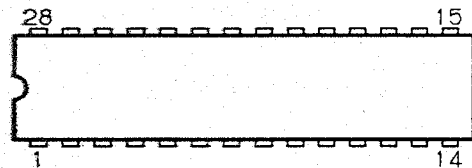
TMP 47C460AN-2 TOP VIEW



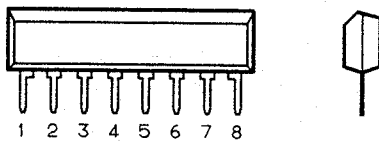
TC 9177 P TOP VIEW



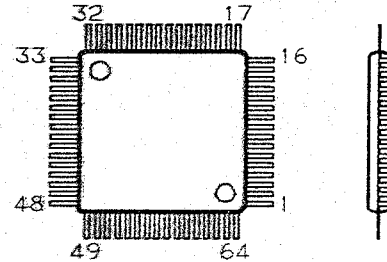
TC 9163 N TOP VIEW



μPC 1490 HA TOP/SIDE VIEWS



LC 7583 B TOP/SIDE VIEWS



FISHER Hi-Fi Europa Vertriebs GmbH

Stahlgruberring 4
8000 München 82

Tel: 089/420 45-0
Tlx: 524033

August/'87/2,000/H Printed in Japan