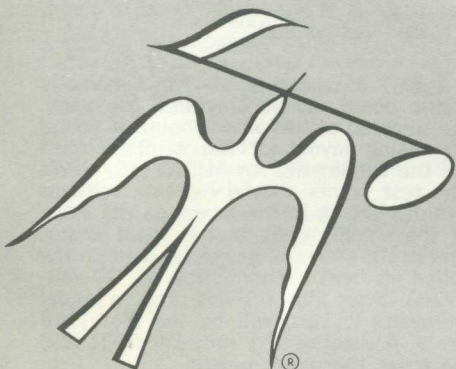


Service Manual

THE FISHER[®]



Custom Electra

MODELS 48 WA AND 49 IPA

CAUTION: This is a FISHER precision high-fidelity instrument. It should be serviced only by qualified personnel — trained in the repair of transistor equipment and printed circuitry.

EQUIPMENT AND TOOLS NEEDED

The following are needed to completely test and align this high-fidelity instrument.

Test Instruments

- Vacuum-Tube Volt-ohmmeter DC VTVM
- Audio (AC) Vacuum-Tube Voltmeter (AC VTVM)
- Oscilloscope (Flat to 100 kc minimum)
- Audio (Sine-wave) Generator
- Intermodulation Analyzer
- Sweep (FM) Generator (88 to 108 mc)
- Marker Generator
- Multiplex Generator (preferably with RF output — FISHER Model 300 or equal).

Miscellaneous

- Adjustable-Line-Voltage Transformer or line-voltage regulator
- Load Resistors (2) — 8-ohm, 50-watt (or higher)
- Stereo source (Turntable with stereo cartridge or Tape Deck)
- Speakers (2) Full-range, for listening tests
- Soldering iron (with small-diameter tip) fully insulated from power line.

PRECAUTIONS

Many of the items below are included just as a reminder—they are normal procedures for experienced technicians. Shortcuts can be taken but often they cause additional damage—to transistors, circuit components or the printed-circuit board.

Soldering—A well-tinned, hot, clean soldering iron tip will make it easier to solder without damage to the printed-circuit board or the many many circuit components mounted on it. It is not the wattage of the iron that counts—it is the heat available at the tip. Low-wattage soldering irons will often take too long to heat a connection—pigtail leads will get too hot and damage the part. Too much heat, applied too long, will damage the printed-circuit board. Some 50-watt irons reach temperatures of 1,000° F—others will hardly melt solder. Small-diameter tips should be used for single solder connections—larger pyramid and chisel tips are needed for larger areas.

- When removing defective resistors, capacitors, etc., the leads should be cut as close to the body of the circuit component as possible. (If the part is not being returned for in-warranty factory replacement it may be cut in half—with diagonal-cutting pliers—to make removal easier.)

- Special de-soldering triplets are made for unsoldering multiple-terminal units like IF transformers and electrolytic capacitors. By unsoldering all terminals at the same time the part can be removed with little chance of breaking the printed-circuit board.

- Always disconnect the chassis from the power line when soldering. Turning the power switch OFF is not enough. Power-line leakage paths, through the heating element, can destroy transistors.

Transistors—Never attempt to do any work on the transistor amplifiers without first disconnecting the AC-power linecord—wait until the power supply filter-capacitors have discharged.

- Guard against shorts—it takes only an instant for a base-to-collector short to destroy that transistor and possibly others direct-coupled to it. [In the time it takes for a dropped machine screw, washer or even the screwdriver, to glance off a pair of socket terminals (or between a terminal and the chassis) a transistor can be ruined.]

- DO NOT bias the base of any transistor to, or near, the same voltage applied to its collector.

- DO NOT use an ohmmeter for testing transistors. The voltage applied through the test probes may be higher than the base-emitter breakdown voltage of the transistor.

Output Stage and Driver—Replacements for output and driver transistors, if necessary, must be made from the same beta group as the original type. The beta group is indicated by a colored dot on the mounting flange of the transistor. Be sure to include this information, when ordering replacement transistors.

- If one output transistor burns out (open or shorts), always remove all output transistors in that channel and check the bias adjustment, the control and other parts in the network with an ohmmeter before inserting a new transistor. All output transistors in one channel will be destroyed if the base-biasing circuit is open on the emitter end.

- When mounting a replacement power transistor be sure the bottom of the flange, the mica insulator and the surface of the heat sink are free of foreign matter. Dust and grit can prevent perfect contact. This reduces heat transfer to the heat sink. Metallic particles can puncture the insulator and cause shorts—ruining the transistor.

- Silicone grease must be used between the transistor and the mica insulator and between the mica and the heat sink for best heat conduction. Heat is the greatest enemy of electronic equipment. It can shorten the life of transistors, capacitors and resistors. (Use Dow-Corning DC-3 or C20194 or equivalent compounds made for power transistor heat conduction.)

- Use care when making connections to speakers and output terminals. Any frayed wire ends can cause shorts that may burn out the output transistors—they are direct-coupled to the speakers. There is no output transformer—nothing to limit current through the transistors except the fuses. To reduce the possibility of shorts at the speakers, lugs should be used on the exposed ends—at least the ends of the stranded wires should be tinned to prevent frayed wire ends. The current in the speakers and output circuitry is quite high. Any poor contact or small-size wire, can cause power losses in the speaker system. Use 14 or 16 AWG for long runs of speaker-connecting wiring.

DC-Voltage Measurements—These basic tests of the transistor circuitry are made without the signal generator. Without any signal input measure the circuit voltages—as indicated on the schematic. The voltage difference between the base and the emitter should be in the millivolt range—a sensitive DC meter is needed for these readings. A low-voltage range of 1 volt, full scale—or lower—is needed.

Audio-Voltage (gain) Measurements—The schematic and printed-circuit board layout diagrams are used. Input signals are injected at the proper points—found most quickly by using layout of the printed-circuit board instead of the schematic. An AUDIO (AC) VTVM connected to the test points should indicate voltages close to those values shown in the boxes on the schematic. Many of the signal levels in the input stages are only a few millivolts—they can not be read on the AC ranges supplied on most Vacuum-Tube AC/DC Volt-ohmmeters (VTVMs). Even with a 1-volt range a signal level of 100 millivolts (.1 volt) will be the first 1/10 of the meter scale. A reading of 1 millivolt (.001 volt) will hardly even move the meter needle.

PARTS DESCRIPTION LIST

CAPACITORS

10% Tolerance for all fixed capacitors, unless otherwise noted or marked GMV (guaranteed minimum value).
All capacitors not marked uF are pF (uuF).

Symbol	Description	Part No.
C1	Ceramic, 33, N750, 1000V	C50070-15
C2, 3	Ceramic, 100, GMV, N1500, 1000V	C50070-5
C4	Ceramic, 21, 5%, N750, 1000V	C50070-32
C5	Ceramic, 3, NPO, 1000V	C50070-28
C6	Ceramic, 100, GMV, N1500, 1000V	C50070-5
C7A-H	Variable, Tuning FM/AM	C953-115
C8	Ceramic, 1000, GMV, 500V	C50089-2
C9, 10	Ceramic, .01uF, 20%, 500V	C50089-3
C11	Ceramic, .02uF +80-20%, 500V	C50089-4
C12, 13	Ceramic, .02uF, 20%, 500V	C50089-5
C14	Ceramic, Feedthru 1000, GMV	C592-187
C15	Ceramic, .02uF, +80-20%, 500V	C50089-4
C16	Ceramic, 5, ±.5pF NPO 500V	CC20CJ050D5
C17	Ceramic, Feedthru, 1000, GMV	C592-187
C18	Mylar, .047, 250V	C50197-52
C19	Ceramic, 1000, GMV, 500V	C50089-2
C20	Ceramic, Trimmer	C662-123
C21	Ceramic, 560, 1000V	C50072-14
C22	Ceramic, 33, 5%, N750, 1000V	C50070-25
C23	Ceramic, 100, GMV, N1500, 1000V	C50070-5
C24	Ceramic, 24, 5%, N150, 1000V	C50070-8
C25	Ceramic, Trimmer	C662-123
C26	Ceramic, 68, 5%, N750, 1000V	C50070-35
C27	Ceramic, Feedthru, 1000, GMV	C592-187
C28	Ceramic, .02uF, +89-20%, 500V	C50089-4
C29	Ceramic, 82, 5%, N1500, 1000V	C50070-33
C30	Ceramic, 5, ±.5pF, N150, 500V	CC20PJ050D5
C31	Ceramic, 10, ±.5pF, NPO, 500V	CC20CJ100D5
C32, 33		
34, 35	Ceramic, Feedthru, 1000, GMV	C592-187
C36	Ceramic, 1, 20%, P100, 1000V	C50070-1
C37	- Deleted -	
C38	Ceramic, 5000, +80-20%, 500V	C50089-6
C39	Ceramic, 2700, 1000V	C50072-17
C40	Ceramic, 5000, +80-20%, 500V	C50089-6
C41, 42	Ceramic, 68, N2200, 1000V	C50070-12
C43	Ceramic, 5000, +80-20%, 500V	C50089-6
C44, 45	Ceramic, 5000, 20%, 500V	C50089-1
C46	Ceramic, 100, N1500, 1000V	C50070-6
C47, 48	Ceramic, 5000, 20%, 500V	C50089-1
C49	Ceramic, 5000, +80-20%, 500V	C50089-6
C50	- Deleted -	
C51	Ceramic, 2700, 1000V	C50072-17
C52	Ceramic, 5000, +80-20%, 500V	C50089-6
C53	Ceramic, .02uF, GMV, 1000V	C50071-6
C54	- Deleted -	
C55, 56	Ceramic, 1000, 1000V	C50072-3
C57, 58, 59, 60	- Deleted -	
C61	Ceramic, 5000, +80-20%, 500V	C50089-6
C62	Ceramic, 2700, 1000V	C50072-17
C63	Ceramic, 5000, +80-20%, 500V	C50089-6
C64	Ceramic, .02uF, GMV, 1000V	C50071-6
C65	Ceramic, 5000, +80-20%, 500V	C50089-6
C66	Ceramic, 330, 1000V	C50072-1
C67, 68, 69	- Deleted -	
C70, 71	Ceramic, 330, 1000V	C50072-1
C72	Ceramic, 5000, +80-20%, 500V	C50089-6
C73	- Deleted -	
C74	Electrolytic, 4 Section A-60uF, 200V B-60uF, 200V C-20uF, 300V D-40uF, 350V	C50180-65
C75	Ceramic, 5000, +80-20%, 500V	C50089-6
C76	- Deleted -	
C77	Electrolytic 8uF, 50V	C629-138
C78	Ceramic, 5000, +80-20%, 500V	C50089-6
C79	Ceramic, 100, GMV, N1500, 1000V	C50070-5

RESISTORS AND POTENTIOMETERS

Deposited Carbon in ohms, 5% Tolerance, 1/8 watt unless otherwise noted K=Kilohm, M=Megohm.

Symbol	Description	Part No.
R1	Composition 100K, 10%, 1/2W	RC20BF104K
R2	Composition, 270, 10%, 1/2W	FC20BF271K
R3	470K, 5%, 1/3W	R33DC474J
R4	47K	R12DC473J
R5	10	R12DC100J
R6	47K	R12DC473J
R7	10	R12DC100J
R8, 9	10K	R12DC103J
R10	Composition, 470K, 10%, 1/2W	RC20BF474K
R11	4.7M, 5%, 1/3W	R33DC475J
R12, 13	Glass, 330K, 5%, 1W	R30G334J
R14	2.2M, 5%, 1/3W	R33DC225J
R15	4.7M, 5%, 1/3W	R33DC475J
R16, 17	220K, 5%, 1/3W	R33DC224J
R18	Composition, 470, 10%, 1/2W	RC20BF471K
R19, 20	4.7M, 5%, 1/3W	R33DC475J
R21	- Deleted -	
R22	Composition, 47K, 10%, 1/2W	RC20BF473J
R23, 24	100K	R12DC104J
R25	180K, 5%, 1/3W	R33DC184J
R26, 27	150K	R12DC154J
R28	Composition, 1.5K, 10%, 1/2W	RC20BF152K
R29	Composition, 150K, 10%, 1/2W	RC20BF154K
R30	Composition, 22K, 10%, 1/2W	RC20BF223K
R31	Composition, 100, 10%, 1/2W	RC20BF101K
R32	Composition, 18K, 10%, 1W	RC30BF183K
R33, 34	Composition, 1K, 10%, 1/2W	RC20BF102K
R35, 36	1M	R12DC105J
R37	180	RC20BF181K
R38	27K	RC20BF273K
R39, 40	390K	R12DC394K
R41	Composition, 1000, 10%, 1/2W	RC20BF102K
R42	2.2M, 5%, 1/3W	R33DC225J
R43	Composition, 15M, 10%, 1/2W	RC20BF156K
R44	2.7M, 5%, 1/3W	R33DC275J
R45	Composition, 15M, 10%, 1/2W	RC20BF156K
R46	2.7M, 5%, 1/3W	R33DC275J
R47	150K	R12DC154J
R48	47K, 5%, 1/3W	R33DC473J
R49	Composition, 22M, 10%, 1/2W	RC20BF226K
R50	100K, 5%, 1/3W	R33DC104J
R51	1K, 5%, 1/3W	R33DC102J
R52	100K, 5%, 1/3W	R33DC104J
R53	1K, 5%, 1/3W	R33DC102J
R54, 55	Potentiometer, Dual 500K Bass	R5016B163
R56	Composition, 100, 10%, 1/2W	RC20BF101K
R57, 58	Potentiometer, Dual 500K Treble	R50160B163
R59	Composition, 47K, 10%, 1/2W	RC20BF473K
R60	Composition, 1K, 10%, 1/2W	RC20BF102K
R61	47K	R12DC473K
R62	Potentiometer, 500K, Balance	R50160B164
R63	47K	R12DC473K
R64	3.3M, 5%, 1/3W	R33DC335J
R65	- Deleted -	
R66	47K	R12DC473J
R67, 68	Glass, 2.7K, 5%, 1/2W	R20G272J
R69, 70	22K	R12DC223J
R71, 72	Potentiometer, Dual, 500K, Volume	R50160B162
R73	Composition, 68K, 10%, 1/2W	RC20BF683K
R74	Composition, 1K, 10%, 1/2W	RC20BF102K
R75	Composition, 270, 5%, 1/2W	RC20BF271J
R76	Composition, 22M, 10%, 1/2W	RC20BF226K
R77	- Deleted -	
R78	Composition, 39, 10%, 1/2W	RC20BF390K
R79	Composition, 1500, 5%, 1/2W	RC20BF152J
R80	Composition, 1000, 5%, 1/2W	RC20BF102J
R81, 82	Glass, 150, 10%, 3W	RP3W151K
R83	Composition, 22K, 10%, 1/2W	RC20BF223K
R84	Composition, 15K, 10%, 1/2W	RC20BF153K
R85	470K	R12DC474J

PARTS DESCRIPTION LIST

R86 Composition, 10M, 10%, 1/2W
 R87 470K
 R88 - Deleted -
 R89 150K
 R90 Composition, 3.3, 10%, 1/2W

RC20BF106K
 R12DC474J
 R12DC154J
 RC20BF3R3K

C17, 18 Ceramic, 330pF, 10%, 1000V
 C19 Electrolytic, 4uF, 350V
 C20 Electrolytic, 4 section
 A-40uF, 400V
 B-40uF, 400V
 C-40uF, 400V
 D-60uF, 200V
 C21, 22 Electrolytic, 200uF, 35V
 C23 Electrolytic, 3000uF, 35V
 C24 Mylar, .01uF, 250V
 C25 Electrolytic, 100uF, 200V
 C26, 27 Molded .01uF, 600V
 C28 Electrolytic, 3000uF, 35V
 C29 Electrolytic, 100uF, 200V
 C30, 31 Ceramic, 16pF, 10%, N75, 1000V
 C32, 33 Mylar, 0.33uF, 20%, 250V

C50072-1
 C50475-4
 C50180-63
 C50483-7
 C50180-61DX
 C50197-48
 C50475-2
 C2747
 C50180-61DX
 C50475-2
 C50070-21
 C50B575-6

MISCELLANEOUS

CR1	Diode	V1112
I1	Lamp, Stereo Beacon	I50461-3
I2, 3	Lamps, Dial	I50441-3
L1	Loopstick (AM Antenna)	L50210-36
L2	Coil, FM Antenna	L818-113
L3	Choke, R. F.	L629-180
L4	Choke, 1.5 Microhenry	L50066-4
L5	Coil, AM R. F.	L50210-35
L6	Coil, FM R. F.	L953-119
L7	Choke, .68 Microhenry	L50066-1
L8, 9	Coil, FM Oscillator	AS953-116
L10	Coil, AM Oscillator	L50210-28
L11	Choke, .2 Microhenry	L50066-21
L12	Choke, 3.3 Microhenry	L50066-8
PC1, 2	Printed Circuit Phono Equalization	PC50187-12
PC3, 4	Printed Circuit Tone Control	PC50187-9
S1	Switch, Selector	S1197-112
S2	Switch, Power	PART OF R71, 72
S3	Switch, Automatic Shut-Off	S1197-115
S4	Switch, Speakers	S1197-112
Z1	Transformer, FM IF	ZZ662-117
Z2	Transformer, AM IF	ZZ2984
Z3	Transformer, FM IF	ZZ2987
Z4	Transformer, AM IF	ZZ2984
Z5	Coil, FM Limiter	ZZ50210-6
Z6	Transformer, FM Ratio Detector	ZZ50210-9
-	Dial Glass Screened	N1197-107
-	Dress Panel Assembly	AS1163-108
-	Cartridge, Pickering	G50663
-	Replacement Stylus	G3505
-	Lamp No. 1847	I50009-7
-	Knob, Automatic Shut-off	E50561
-	Knob, Selector, Bass, Treble, Balance, Volume, Speakers	E50565-1
-	Knob, Tuning	E50565-2
-	Stereo Beacon Lampholder	E946-175-1

RESISTORS AND POTENTIOMETERS

Deposited Carbon in ohms, 5% Tolerance, 1/8 watt unless otherwise noted. K=Kilohms, M=Megohms.

Symbol	Description	Part No.
R1, 2	1M	R12DC105J
R3	220K, 5%, 1/3W	R33DC224J
R4	1.8K	R12DC182J
R5	82	R12DC820J
R6	220K, 5%, 1/3W	R33DC224J
R7	1.8K	R12DC182J
R8	82	R12DC820J
R9, 10	22K	R12DC223J
R11, 12	1K	R12DC102J
R13A, B	Wirewound, 6.8K, 10%, 7W	RPG7W682K
R14	- Deleted -	
R15, 16	1.8K	R12DC182J
R17, 18	10K	R12DC103J
R19	Composition, 330, 10%, 2W	RC40BF331K
R20, 21	- Deleted -	
R22	Composition, 330, 10%, 2W	RC40BF331K
R23, 24	- Deleted -	
R25, 26	Composition, 330, 10%, 2W	RC40BF331K
R27, 28	- Deleted -	
R29, 30	Composition, 10, 10%, 1/2W	RC20BF100K
R31, 32	- Deleted -	
R33, 34	Wirewound, .51 ohm, 5%, 2W	RW200WR51J
R35, 36	3.9K	R12DC392J
R37A, B	Wirewound, Dual, 15 + 10, 10%, 10W	R50500-2BX
R38	- Deleted -	
R39A, B	Wirewound Dual, 15 + 10, 10%, 10W	R50500-2BX
R40	- Deleted -	
R41	Composition 820, 10%, 1/2W	RC20BF821K
R42	Composition, 1K, 10%, 1/2W	RC20BF102K
R43	100K	R12DC104J
R44	Wirewound, 390, 10%, 3W	RPG3W391K
R45, 46	Wirewound 22, 5%, 2W	RW200W220J
R47	100K	R12DC104J
R48, 49	Wirewound, 390, 10%, 3W	RPG3W391K
R50	Wirewound, 150, 10%, 3W	RPG3W151K
R51	Wirewound, 1 ohm, 5%, 3W	RL300W010J
R52	Composition, 820K, 10%, 1/2W	RC20BF824K
R53, 54	47K	R12DC473J
P1, 2, 3, 4	Potentiometer, W. W. 10 ohm 20%, 2W	R50160-141-1

1135 POWER AMPLIFIER CAPACITORS

Symbol	Description	Part No.
C1, 2	Mylar, .022uF, 250V	C50197-49
C3, 4	Electrolytic, 100uF, 15V	C50483-5
C5, 6	Ceramic, 24pF, 5%, N150, 1000V	C50070-8
C7, 8	Electrolytic, 20uF, 250V	C50475-3
C9, 10	Electrolytic, 16uF, 10V	C50483-10
C11, 12, 13, 14	- Deleted -	
C15, 16	Ceramic, 560pF, 10%, 1000V	C50072-14

If replacement parts are out of stock, locally, they may be obtained directly from the Parts Department of FISHER Radio Corporation. They will be shipped "best way", either prepaid or C.O.D. unless otherwise specified.

For instrument-operation information and technical assistance write Richard Hamilton, Customer Service Department, FISHER Radio Corporation, Long Island City, New York 11101.

PREFERRED ALIGNMENT PROCEDURE

READ THESE INSTRUCTIONS VERY CAREFULLY BEFORE ATTEMPTING ALIGNMENT

CONTROL POSITIONS:

- Rotate tuning knob to set dial pointer to the zero index mark on logging scale (if the pointer will not go to zero without forcing reset the pointer.)
- Set volume control to minimum (full counterclockwise).
- Disconnect the external antennas and the AM-antenna link.
- Disable the AGC for AM RF alignment – just short across C18 or C80.

FM SIGNAL GENERATOR: Modulated 30% (± 22.5 deviation at 400 cps).

ALIGNMENT PRECAUTIONS:

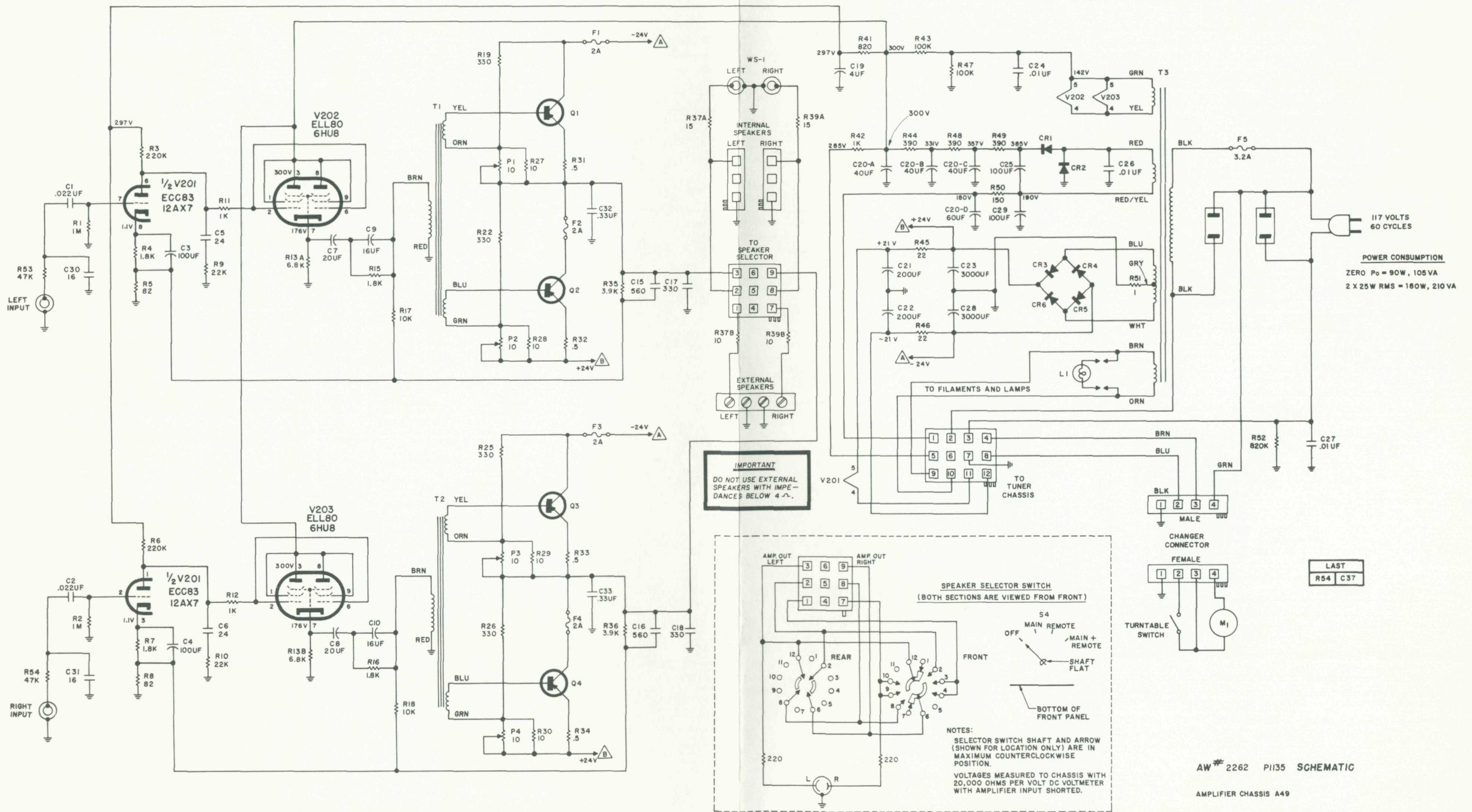
- The chassis and the test instruments must be warmed up for at least 15 minutes to reduce any possible drift.
- Adjust the AC powerline input for 117 VAC to the chassis (50 to 60 cycle).
- Use only the proper, fully insulated, alignment tools.

AM ALIGNMENT

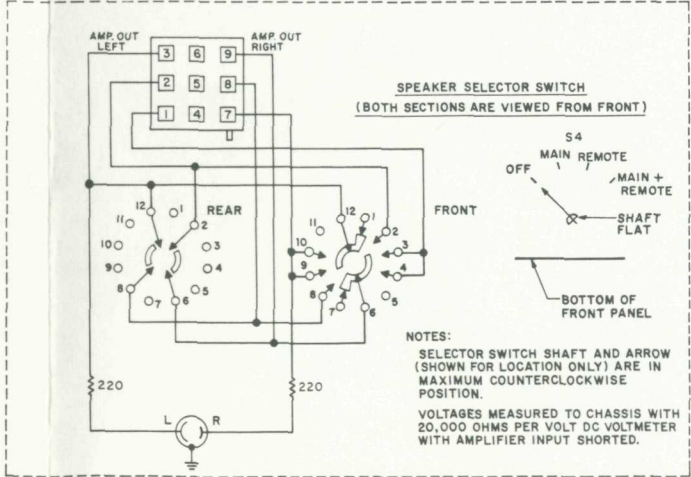
STEPS	CHASSIS		SIGNAL GENERATOR			INDICATOR		ALIGNMENT	
	SELECTOR	STATION SELECTOR	COUPLING	FREQ.	MOD.	TYPE	CONNECTION	ADJUST	INDICATION
1	AM	Point of no signal and no interference	AM Gen. connected thru .01-uf cap to V2, Pin 1	455 KC	30% AM at 400 cps	AC VTVM to Left	RCRDR Output	Z2, Z4 top and bottom	Maximum voltage
2	AM	600 KC	AM Gen. connected thru 220-uuf cap. to the AM antenna terminal Disconnect link.	600 KC	30% AM at 400 cps	AC VTVM to Left	RCRDR Output	L10, L5 L1	Maximum voltage
3	AM	1400 KC	AM Gen. connected thru 220-uuf cap. to the AM antenna terminal Disconnect link.	1400 KC	30% AM at 400 cps	AC VTVM to Left	RCRDR Output	C7H, C7E C7C	Maximum voltage
4	Repeat steps 2 and 3 for proper dial calibration and maximum output.								
5	FM	Point of no signal and no interference	FM Gen. connected to ungrounded tube shield over V1	10.7 MC	None	DC VTVM to test point 3		Z1, Z3, Z5 and Z6, top & bottom	Maximum negative voltage
6	FM	Point of no signal and no interference	FM Gen. connected to ungrounded tube shield over V1	10.7 MC	None	Connect two 47K ohm resistors in series across C77. Connect a VTVM between the junction of the two 47K ohm resistors and the junction of L12 and C66		Z6 top	Zero reading on zero center scale
7	FM	90 MC	FM Gen. connected thru two 120-ohm carbon resistors (Figure 1) to the FM Normal Antenna terminals	90 MC	30% FM (22.5 KC Dev.) at 400 cps	DC VTVM to test point 2 and scope to Left	RCRDR Output	L9, L6, L2	Check for sinusoidal waveform (Figure 2) and adjust for maximum negative voltage
8	FM	106 MC	FM Gen. connected thru two 120-ohm carbon resistors (Figure 1) to the FM Normal Antenna terminals	106 MC	30% FM (22.5 KC Dev.) at 400 cps	DC VTVM to test point 2 and scope to Left	RCRDR Output	C25 and C20	Check for sinusoidal waveform (Figure 2) and adjust for maximum negative voltage
9	Repeat steps 7 and 8 at least once for proper dial calibration and maximum output.								
NOTE: For calibrating both the AM and FM, use as low an output voltage as possible from your signal generator.									

FM ALIGNMENT

SCHEMATIC DIAGRAM • AMPLIFIER

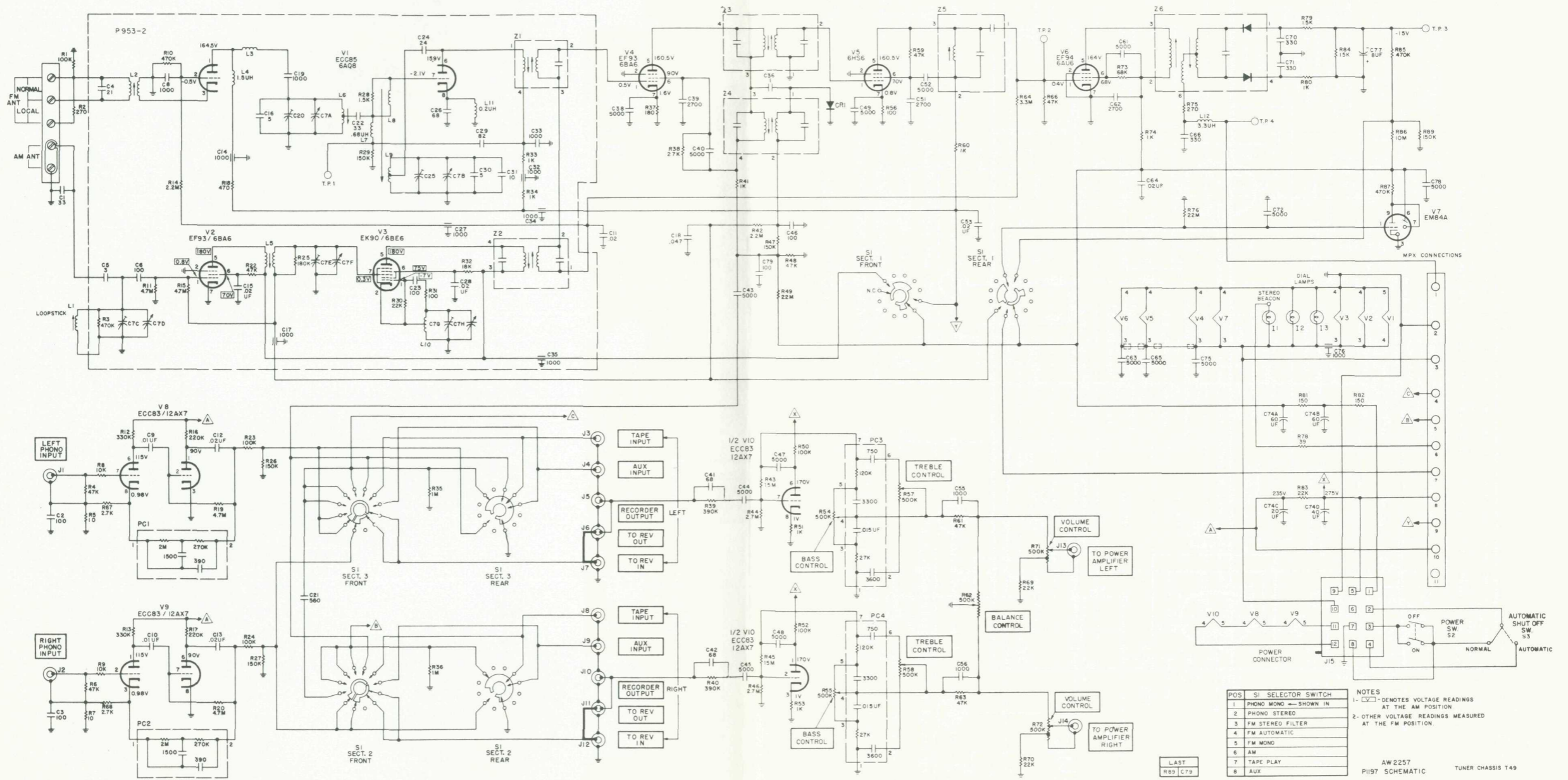


IMPORTANT
DO NOT USE EXTERNAL SPEAKERS WITH IMPEDANCES BELOW 4 Ω.



LAST
R54 C37

SCHEMATIC DIAGRAM • TUNER



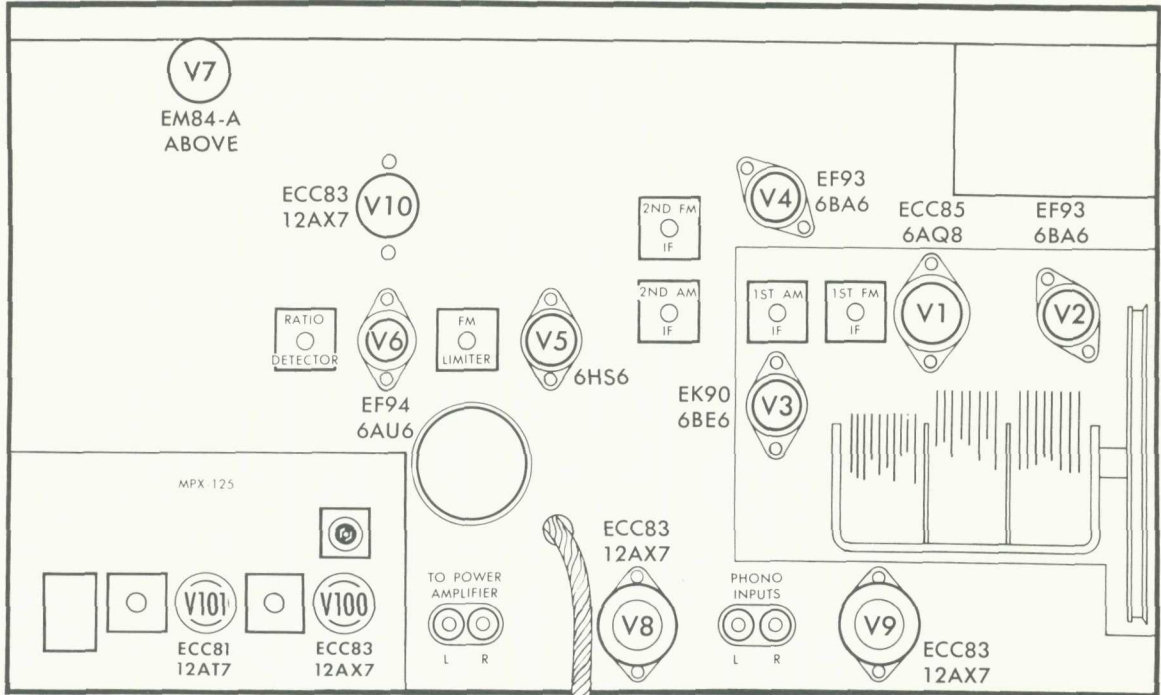
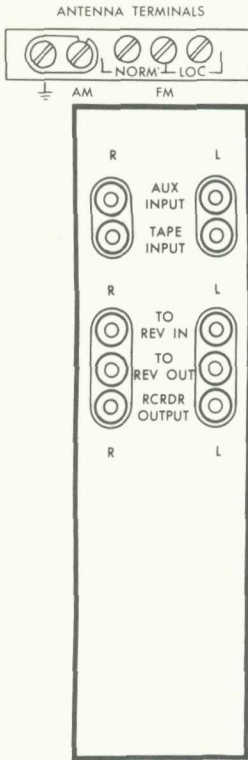
POS	S1 SELECTOR SWITCH
1	PHONO MONO — SHOWN IN
2	PHONO STEREO
3	FM STEREO FILTER
4	FM AUTOMATIC
5	2M MONO
6	AM
7	TAPE PLAY
8	AUX

NOTES
 1. [Symbol] - DENOTES VOLTAGE READINGS AT THE AM POSITION
 2. OTHER VOLTAGE READINGS MEASURED AT THE FM POSITION.

AW 2257
 PI97 SCHEMATIC
 TUNER CHASSIS T49

BECAUSE ITS PRODUCTS ARE SUBJECT TO CONTINUOUS IMPROVEMENT, FISHER RADIO CORPORATION RESERVES THE RIGHT TO MODIFY ANY DESIGN OR SPECIFICATION WITHOUT NOTICE AND WITHOUT INCURRING ANY OBLIGATION.

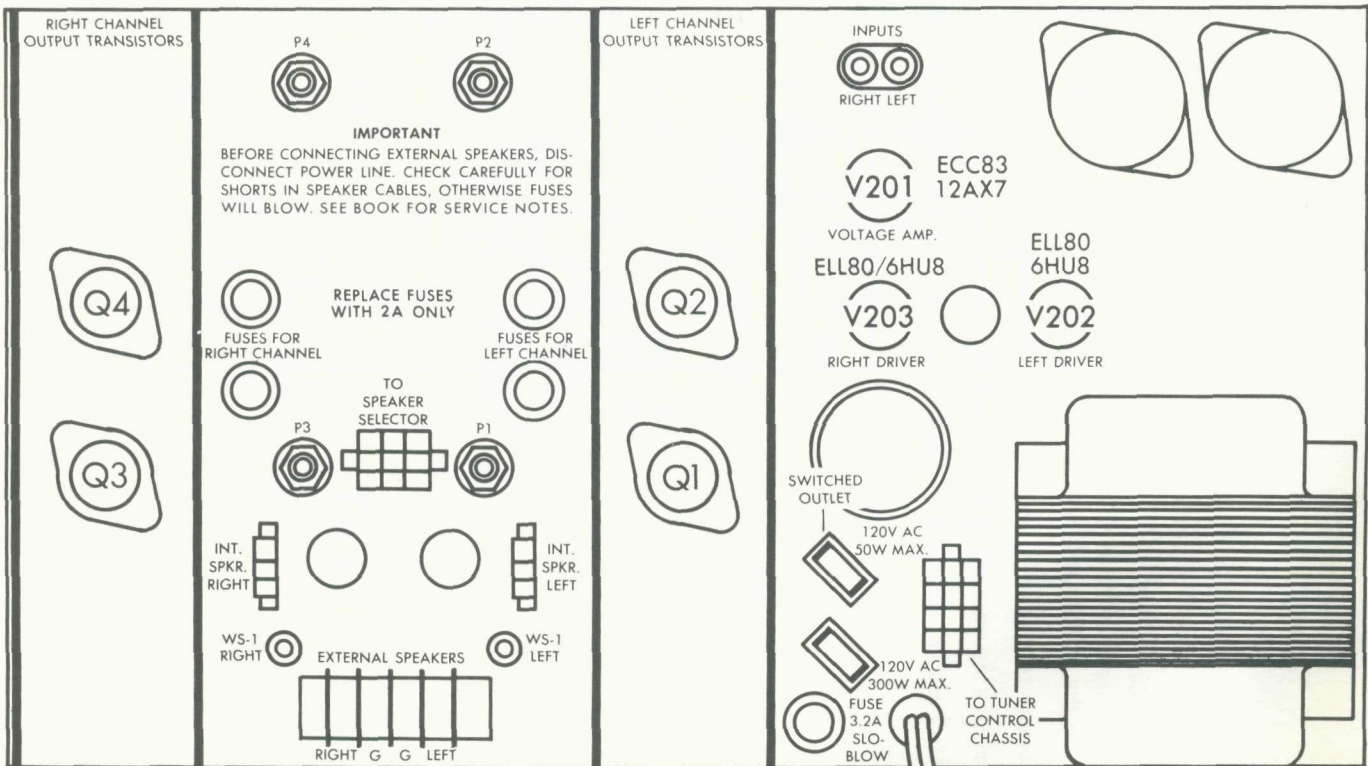
TUBE LAYOUT • TUNER



INS 236



TUBE LAYOUT • POWER AMPLIFIER



INS 235

CAUTION: EXTERNAL SPEAKERS MUST HAVE IMPEDANCE EQUAL TO OR GREATER THAN FOUR OHMS, OR FUSES WILL BLOW TO PROTECT CIRCUIT.

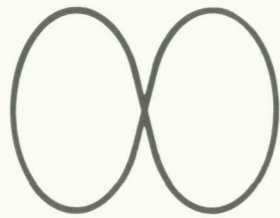


FIGURE 1. Lissajous pattern for MPX Oscillator alignment.

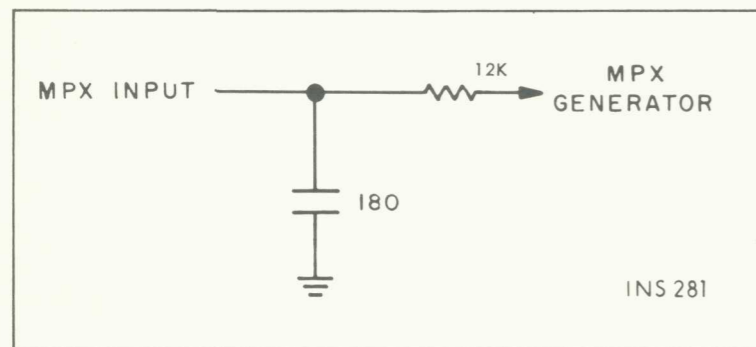
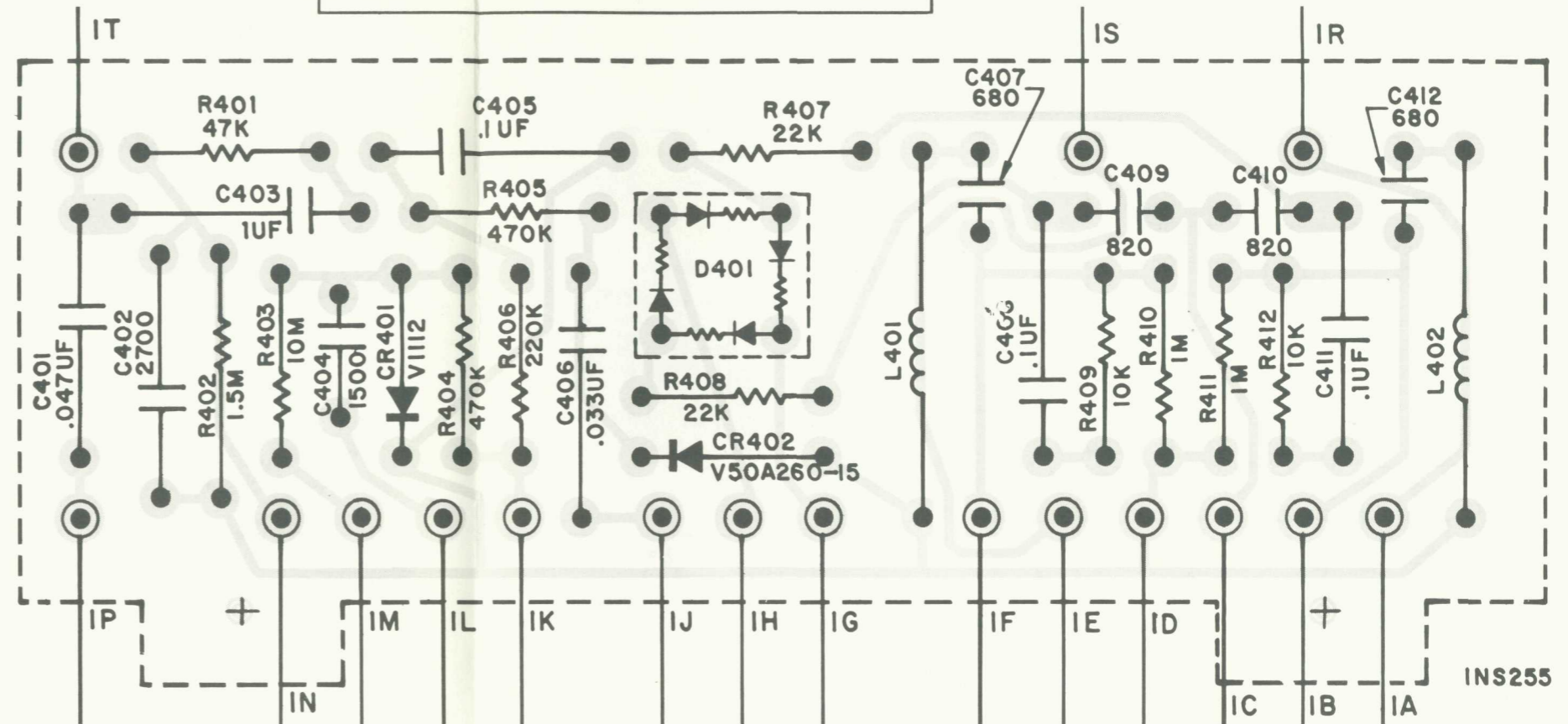


FIGURE 2. Multiplex-alignment hi-pass filter circuit.

P1131-1 MULTIPLEX DECODER



ALIGNMENT INSTRUCTIONS • MULTIPLEX SECTION

GENERAL

The preferred alignment procedure, in table 1 below, uses a multiplex generator with an RF output, like the FISHER Model 300. Optimum performance will be obtained only when the multiplex decoder is connected to the FM detector with which it will be used. Check IF alignment first—poor alignment can prevent proper multiplex decoder operation.

TEST EQUIPMENT REQUIRED: MULTIPLEX GENERATOR, AUDIO (AC) VTVM, 100 KC OSCILLOSCOPE WITH EXTERNAL SWEEP JACKS, ALIGNMENT TOOL.

TABLE 1

STEPS	GENERATOR		R F DEVIATION	INDICATOR	ALIGNMENT	
	CONNECTION	MODULATION		TYPE AND CONNECTION	ADJUST	INDICATION
1	Multiplex generator RF output to antenna terminals	19 kc pilot only	± 7.5 kc	VTVM to TP 1	Z1 top and bottom	Maximum reading on VTVM
2	19 kc output of generator to oscilloscope horizontal input; generator not connected to MPX section	—	—	Vertical input of oscilloscope to TP 2; set oscilloscope for external sweep	Z2	Set frequency of free-running oscillator as close as possible to 38 kc. Lissajous pattern (see figure 1) should be as slow-moving as possible.
3	Same as Step 1	Composite MPX; 1000 cps on left channel only	± 75 kc	VTVM and oscilloscope vertical input to right channel output lug (terminal 1R)	Z1 top	Maximum reading on VTVM; clean 1000 cps sine wave on oscilloscope
4	Same as Step 1	Composite MPX; 1000 cps on right channel only	± 75 kc	Same as Step 3	MPX separation control (R4)*	Minimum reading on VTVM should be at least 33 db below reading obtained in Step 3
5	Same as Step 1	Same as Step 4	± 75 kc	VTVM and oscilloscope vertical input to right channel output lug (terminal 1S)	—	Same VTVM reading as obtained in Step 3 ± 2 db; clean 1000 cps sine wave on oscilloscope
6	Same as Step 1	Composite MPX; 1000 cps on left channel only	± 75 kc	Same as Step 5	MPX separation control (R4), if necessary*	Minimum reading on VTVM should be at least 33 db below reading obtained in Step 5.

* If adjustment is required, adjust for best compromise readings in Steps 4 and 6.

ALTERNATE ALIGNMENT PROCEDURE For multiplex generators without an RF output

When using this alignment procedure, it is necessary to disconnect the ratio detector from the multiplex decoder at the point where the generator is connected. Unsolder point IT carefully. The generator input must be through a simple low-pass filter—a 12 K resistor between the multiplex generator and the MPX input with a 180 pF capacitor from the MPX input end of the resistor to ground (Figure 2, on schematic).

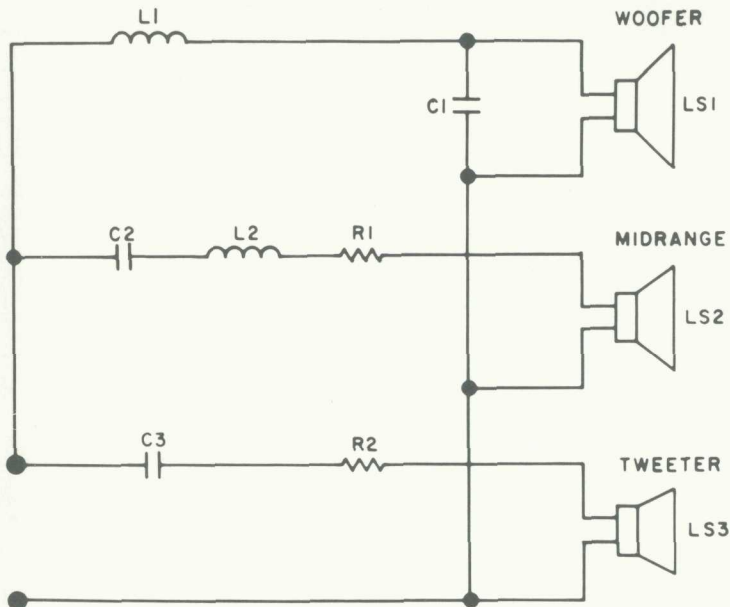
TEST EQUIPMENT REQUIRED: MULTIPLEX GENERATOR, AUDIO (AC) VTVM, 100 KC OSCILLOSCOPE WITH EXTERNAL SWEEP JACKS, ALIGNMENT TOOL.

TABLE 2

STEPS	GENERATOR			INDICATOR TYPE AND CONNECTION	ALIGNMENT ADJUST	ALIGNMENT INDICATION
	CONNECTION	AUDIO	LEVEL			
1	Composite output of MPX generator to input of MPX demodulator (Point 1)	19 kc pilot only	100 mV RMS (280 MV P-P)	AC VTVM to TP 1	Z1 top and bottom	Maximum reading on VTVM
2	19 kc output of generator to oscilloscope horizontal input; generator not connected to MPX section	—	—	Oscilloscope vertical input to TP 2	Z2	Set frequency of free-running oscillator as close as possible to 38 kc. Lissajous pattern (see figure 1) should be as slow-moving as possible.
3	Same as Step 1	1000 cps on left channel only	0.7 V RMS (3.92 V P-P)	AC VTVM and oscilloscope vertical input to left channel output lug (terminal 1R)	Z1 top	Maximum reading on VTVM; clean 1000 cps sine wave on oscilloscope
4	Same as Step 1	1000 cps on right channel only	0.7 V RMS (3.92 V P-P)	Same as Step 3	MPX separation control (R4)*	Minimum reading on VTVM should be at least 33 db below reading obtained in Step 3
5	Same as Step 1	Same as Step 4	0.7 V RMS (3.92 V P-P)	VTVM and oscilloscope vertical input to right channel output lug (terminal 1S)	—	Same VTVM reading as obtained in Step 3 ± 2 db; clean 1000 cps sine wave on oscilloscope
6	Same as Step 1	1000 cps on left channel only	0.7 V RMS (3.92 V P-P)	Same as Step 5	MPX separation control (R4), if necessary*	Minimum reading on VTVM should be at least 33 db below reading obtained in Step 5.

* If adjustment is required, adjust for best compromise readings in Steps 4 and 6.

107 SCHEMATIC DIAGRAM • SPEAKER SYSTEMS



Symbol	Description	Part No.
C1	Capacitor, 50 μ F, nonpolarized	C350
C2	Capacitor, 25 μ F, nonpolarized	C325
C3	Capacitor, 3 μ F, nonpolarized	C303
L1	Inductor	L215
L2	Inductor	L212.5
LS1	Woofer, 10-inch	W134
LS2	Mid-Range, 5-inch	M135
LS3	Tweeter, 2½-inch	T129A
R1, R2	Resistor, 4.7-ohm	R404.7

INS 296

POWER OUTPUT MEASUREMENT

The power-output stage of this unit is designed to deliver its full-rated power with program material (voice or music) into 4-to-16-ohm loads for indefinite periods.

When a constant audio tone is used as a signal to measure the *continuous RMS power output* certain precautions must be taken.

- Measure the power output of one channel at a time.
- Limit the measurement period to 10 minutes (with a load resistance between 4 and 16 ohms).

Should it ever be necessary to measure the power output of *both channels simultaneously*, use a load of 4 or 8 ohms (per channel), limit measurement to a period *not longer than 1 minute* for a 4-ohm load or to *5 minutes* for an 8-ohm load.

Control Positions for Tests

- 1—Unplug unit from AC-power line.
- 2—Set Balance, Bass and Treble controls to their center positions.
Press Monitor pushbutton in. Set Speaker selector to position 1. Hi-Filter and Low-Filter switches out. Selector switch to AUX. Mono switch in the out position. The impedance selector (on the rear apron of chassis) is to be set to the 8-16 ohms position.

Output Stage Balancing and IM Distortion Measurements

- 1—Connect an 8-ohm, 50-watt resistor across the left output terminals. In parallel to the load resistor connect the input leads of an IM (Inter-Modulation) distortion analyzer and the leads of a DC VTVM capable of reading 0.1 volt with accuracy.
- 2—Connect IM-analyzer generator output to the left Monitor input.
- 3—Apply AC power and rotate Volume control to its maximum clockwise position—full volume.
- 4—Increase signal input to amplifier for 40-watts output. (14.7 VAC across 8-ohm load resistor). After one full minute of warm-up time proceed to next step. *The warm-up time is very important (to get proper*

balance) — the characteristics of the transistors change slightly as their internal temperature rises. A longer warm-up time will not damage the transistors. Once they are warm the tests and adjustments should be completed without delay — before they can cool off.

5—Reduce IM-analyzer generator output for 5 watts output from amplifier (5.16 VAC across load).

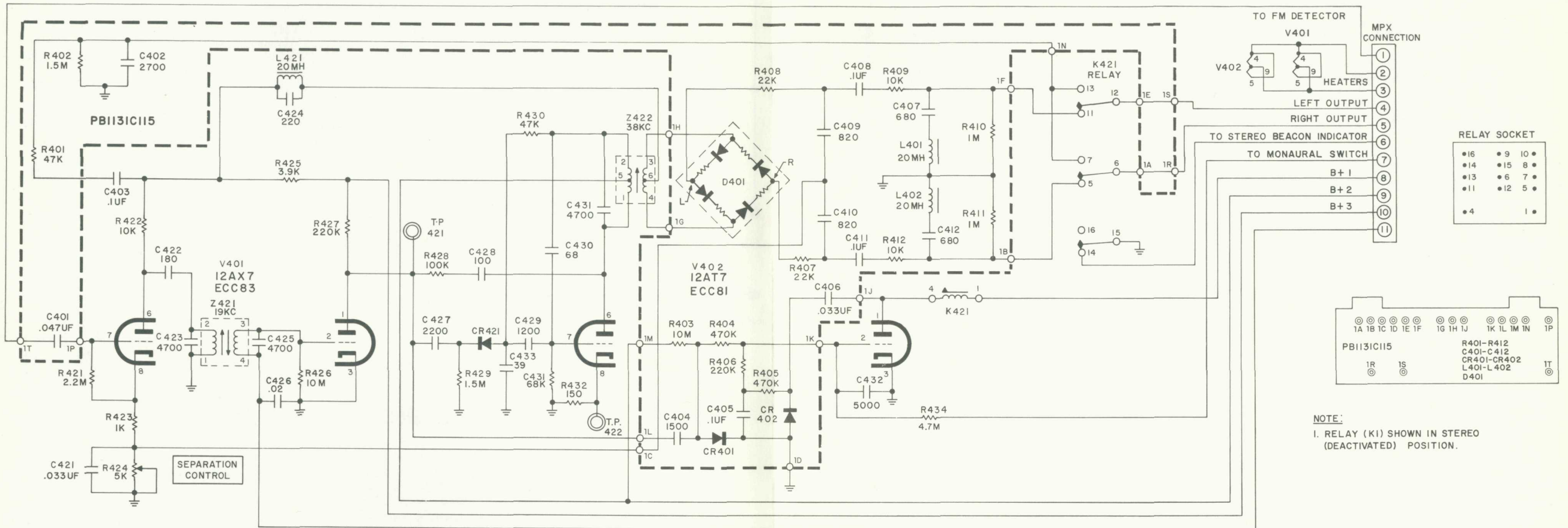
6—Adjust P1 and P2 (P3 and P4 for right channel) for minimum IM distortion and zero DC voltage across the load. (IM distortion should be less than 0.8% and DC voltage lower than ± 0.1 volts across the 8-ohm load. Use two screwdrivers to adjust the controls—it's faster than shifting from one control to the other.)

7—Increase signal input for 40 watts output from amplifier. IM reading should be less than 1% — DC across load should be less than ± 0.3 volt.

REPEAT steps 1 through 7 (above) for right-channel tests.

NOTE—If any of the above instructions are different from those supplied with the IM analyzer instruction manual, it is best to follow those in the manual. If a load resistor of 50-watts rating is built into the IM analyzer, a separate load resistor is not required for the channel under test—one should be wired across the other channel as a precaution. For best results the IM range switch should be set to give a reading in the center to full-scale portion of the meter scale—this gives greater accuracy.

SCHEMATIC DIAGRAM • MULTIPLEX SECTION



NOTE:
1. RELAY (KI) SHOWN IN STEREO (DEACTIVATED) POSITION.

AW2256C MPX-125 P1131-I SCHEMATIC

PARTS DESCRIPTION LIST • MULTIPLEX SECTION

MULTIPLEX SECTION

All circuit components with symbols beginning with 401 are located on the printed-circuit board; those beginning with 421 are mounted on the metal subchassis.

CAPACITORS

20% tolerance for all fixed capacitors, unless otherwise noted or marked GMV (guaranteed minimum value). All capacitors not marked uF are pF (uuf).

Symbol	Description	Part No.
C401	Capacitor, Mylar, .047uF 10% 100V	C50B574-5
C402	Capacitor, Polystyrene, 2700 5% 125V	C50B634-20
C403	Capacitor, Plastic Film, .1uF 20% 250V	C50B633-1
C404	Capacitor, Cer. Disc., 1500, 10%	C50B576-4
C405	Capacitor, Plastic Film, 1uF 20% 250V	C50B633-1
C406	Capacitor, Plastic Film, .033uF 20% 400V	C50B633-20
C407	Capacitor, Cer. Disc, 470 pF 10%	C50B576-1
C408	Capacitor, Plastic Film, .1uF 20% 250V	C50B633-1
C409	Capacitor, Cer. Disc, 820 10%	C50B576-3
C410	Capacitor, Cer. Disc, 820 10%	C50B576-3
C411	Capacitor, Plastic Film, .1uF 20% 250V	C50B633-1

Symbol	Description	Part No.
C412	Capacitor, Cer. Disc, 470 pF, 10%	C50B576-1
C421	Mylar, .033 uF, 10%, 100V	C50574-11
C422	Polystyrene 180, 5%, 500V	C50634-1
C423	Polystyrene 4700, 5%, 125V	C50634-21
C424	Polystyrene 220, 5%, 500V	C50634-2
C425	Polystyrene 4700, 5%, 125V	C50634-21
C426	Ceramic, .02uF, 20%, 500V	C50089-5
C427	Ceramic, 2200, 20%, 1000V	C50183-10
C428	Ceramic, 100, 20%, 1000V	C50183-9
C429	Ceramic, 1200, 10%, 1000V	C50183-8
C430	Ceramic, 68, 10%, NPO, 1000V	C50070-46
C431	Mica, 4700, 5%, 300V	C50332-7
C432	Ceramic, 5000, 20%, 500V	C50089-1
C433	Ceramic, 39, 10%, N1500, 1000V	C50070-17

RESISTORS

Symbol	Description	Part No.
R401	Resistor, Dep. Carbon, 47K, 5% 1/8W	R12DC473J
R402	Resistor, Dep. Carbon, 1.5M, 5% 1/3W	R33DC155J
R403	Resistor, Composition, 22M, 10%, 1/2W	RC20BF226K
R404	Resistor, Dep. Carbon, 470K, 5% 1/8W	R12DC474J

R405	Resistor, Dep. Carbon, 470K, 5% 1/8W	R12DC474J
R406	Resistor, Dep. Carbon, 470K, 5% 1/8W	R12DC224J
R407	Resistor, Dep. Carbon, 22K, 5% 1/8W	R12DC223J
R408	Resistor, Dep. Carbon, 22K, 5% 1/8W	R12DC223J
R409	Resistor, Dep. Carbon, 10K, 5% 1/8W	R12DC103J
R410	Resistor, Dep. Carbon, 1K, 5% 1/8W	R12DC105J
R411	Resistor, Dep. Carbon, 1M, 5% 1/8W	R12DC105J
R412	Resistor, Dep. Carbon, 10K, 5% 1/8W	R12DC103J

RESISTORS

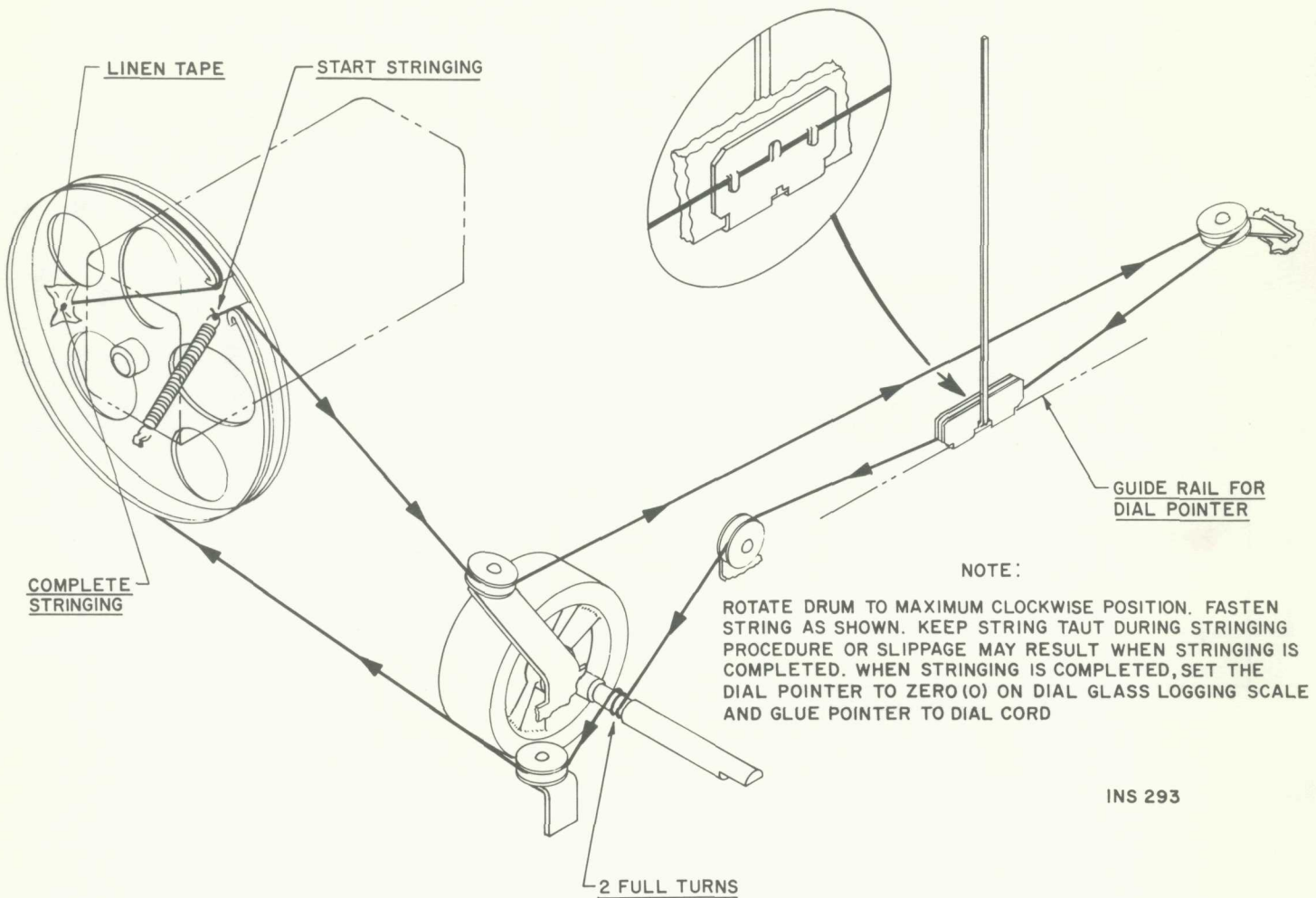
Symbol	Description	Part No.
R421	Dep. Carbon, 2.2M, 5%, 1/3W	R33DC225J
R422	Dep. Carbon, 10K, 5%, 1/3W	R33DC103J
R423	Dep. Carbon, 1K, 5%, 1/3W	R33DC102J
R424	Potentiometer, 5K, MPX Separation	R50150-11
R425	Dep. Carbon, 3.9K, 5%, 1/3W	R33DC392J
R426	Composition, 10M, 10%, 1/2W	RC20BF106K
R427	Dep. Carbon, 220K, 5%, 1/3W	R33DC224J

R428	Dep. Carbon, 100K, 5%, 1/8W	R12DC104J
R429	Dep. Carbon, 1.5M, 5%, 1/3W	R33DC155J
R430	Dep. Carbon, 47K, 5%, 1/3W	R33DC473J
R431	Dep. Carbon, 68K, 5%, 1/8W	R12DC683J
R432	Dep. Carbon, 150, 5%, 1/3W	R33DC151J
R433	-Deleted-	
R434	Composition, 4.7M, 10%, 1/2W	RC20BF475K

MISCELLANEOUS

Symbol	Description	Part No.
CR401	Diode	V1112
CR402	Diode	V50A260-15
CR421	Diode, Type 1112	V1112
D401	Ring Demodulator	V50A260-18
K421	Relay	K50603
L401	Coil	L50334-2
L402	Coil	L50334-2
L421	Coil, 20 uH	L50334-2
Z421	Transformer, 19Kc	ZZ50210-34
Z422	Transformer, 38Kc	ZZ50210-54
	Relay Socket	X50602-2
	Printed Circuit Bd.	PB1131B111
	Mini, Pin Term.	A50A577
	Sleeving 23-32" Lg.	E50A684-4

DIAL STRINGING PROCEDURE



INS 293

Replacing Dial Lamps

Before replacing the dial lamps, disconnect the power plug from the wall outlet. Proceed as follows:

- 1 - Remove all control knobs from their shafts, by pulling them gently away from the control panel.
- 2 - Remove the two screws located on the upper right side of the partition which separates the Turntable compartment from the control section.
- 3 - Slide the entire control panel (the plate and wood panel to which it is fastened) to the right and upward. The panel can then be lifted off to expose the chassis.
- 4 - The lamps, tubular in shape, are held in spring clips at either end of the dial glass, and can be removed by lifting gently.
- 5 - Install the new lamp, making sure that the white, painted side faces away from the dial glass. Press the lamp down until it snaps into place.
- 6 - Replace the panel by reversing steps 1 and 3 above.

Replacement dial lamps can be ordered from Fisher Radio Corporation, Long Island City 1, New York. Please send all requests for parts to the attention of the Parts Department. The part No. is 150441-3.

Replacing Stereo Beacon Lamp

Before replacing the STEREO BEACON lamp, disconnect the power plug from the wall outlet. The lamp assembly is accessible from the rear of the cabinet. It is housed in a white cylinder on the chassis, directly below the dial, and located near the front of the set. Replace the lamp as follows:

- 1 - Locate the white cylinder described above. Follow the two leads which protrude from the rear of the cylinder to the chassis.
- 2 - Slide the clips, located on the other ends of the leads, off the terminal strip contacts by moving them gently away from the chassis.
- 3 - Remove the white flexible band which secures the bulb leads to the cylinder. Remove the bulb from the cylinder by pulling gently on the leads.
- 4 - Place the new bulb in the cylinder, and secure it with the flexible band removed in the previous step.
- 5 - Slide the clips on the bulb leads over the terminal strip contacts.

Replacement STEREO BEACON lamps can be ordered from Fisher Radio Corporation, Long Island City 1, New York. Please send all requests for parts to the attention of the Parts Department. The part number is 150461-3.



FISHER RADIO CORPORATION • NEW YORK