

1031999  
425304

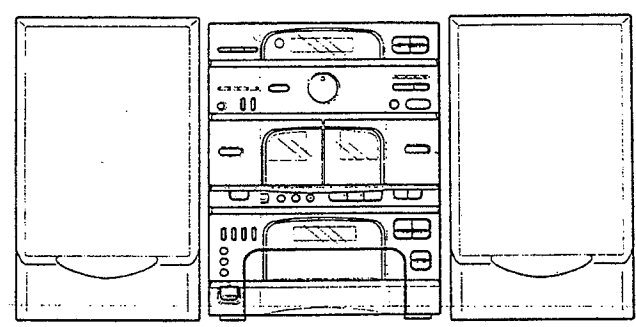
FILE NO.  
SERVICE MANUAL



# DCS-G50

(DE) = TADG50

## Mini Component System

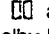


### Contents

Specification .....	1
Operating the Reset Switch .....	1
Laser Beam Safety Precaution .....	2
Handling the Pickup .....	2
Before Repairing the CD Player .....	2
Disassembly .....	3
Parts List(Speaker Unit) .....	3
Parts List(Remote Controller Unit) .....	3
CD Mechanism Replacement .....	4
CD Operation Explanations for Each Mode .....	6
CD Auto Changer Mechanism Operation Explanation .....	7
CD Service Mode .....	10
Service Mode(Amplifier & Tuner) .....	12
CD Adjustments .....	13
Tape Deck Adjustments .....	15
Tuner Adjustments .....	17
Exploded View(Cabinet & Chassis) .....	18
Parts List .....	20
Exploded View(CD Loading Mechanism) .....	29
Parts List(CD Loading Mechanism) .....	30
Exploded View & Parts List(CD Pickup Mechanism) .....	31

PRODUCT CODE No.  
129 428 06

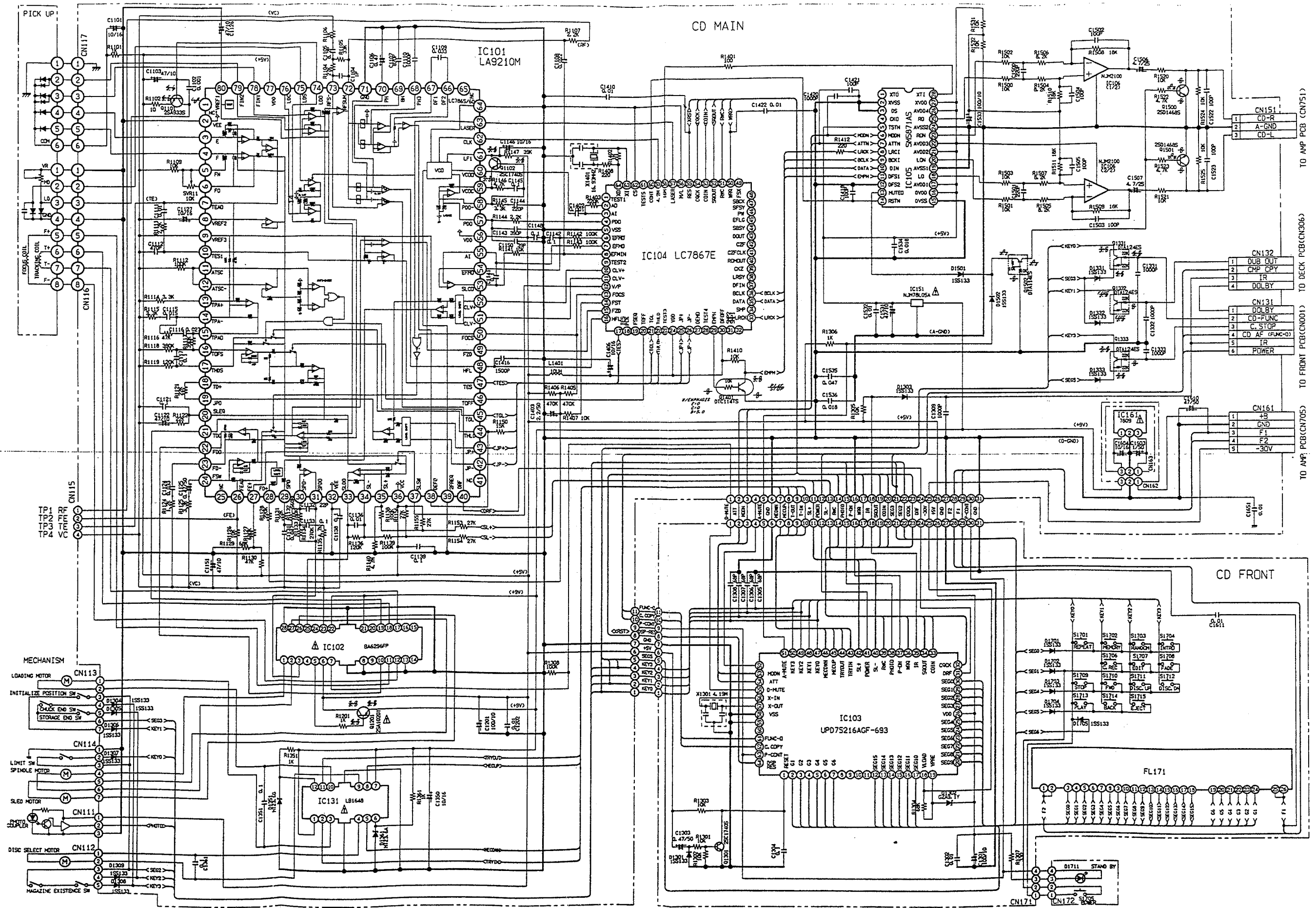
Exploded View(Tape Deck Mechanism) .....	32
Parts List(Tape Deck Mechanism) .....	33
Schematic Diagram(CD) .....	34
Wiring Diagram(CD) .....	36
Schematic Diagram(Tape Deck Amplifier) .....	38
Wiring Diagram(Tape Deck Amplifier) .....	40
Schematic Diagram(Front) .....	42
Schematic Diagram(Tape Mechanism) .....	43
Wiring Diagram(Front) .....	44
Schematic Diagram(Tuner) .....	46
Schematic Diagram(Amplifier) .....	48
Wiring Diagram(Amplifier & Tuner) .....	50
Wiring Connection .....	52
IC Block Diagram .....	54
Repairing Tool .....	62
IC Voltage Table of CD .....	63
FL Block diagram .....	64

"Dolby" and the double-D symbol  are trademark of Dolby Laboratories Licensing Corporation. Dolby Noise Reduction system is manufactured under license from Dolby Laboratories Licensing Corporation.

This Service manual is consist of "TAD-G50", "REM-M20", "STE-G50".

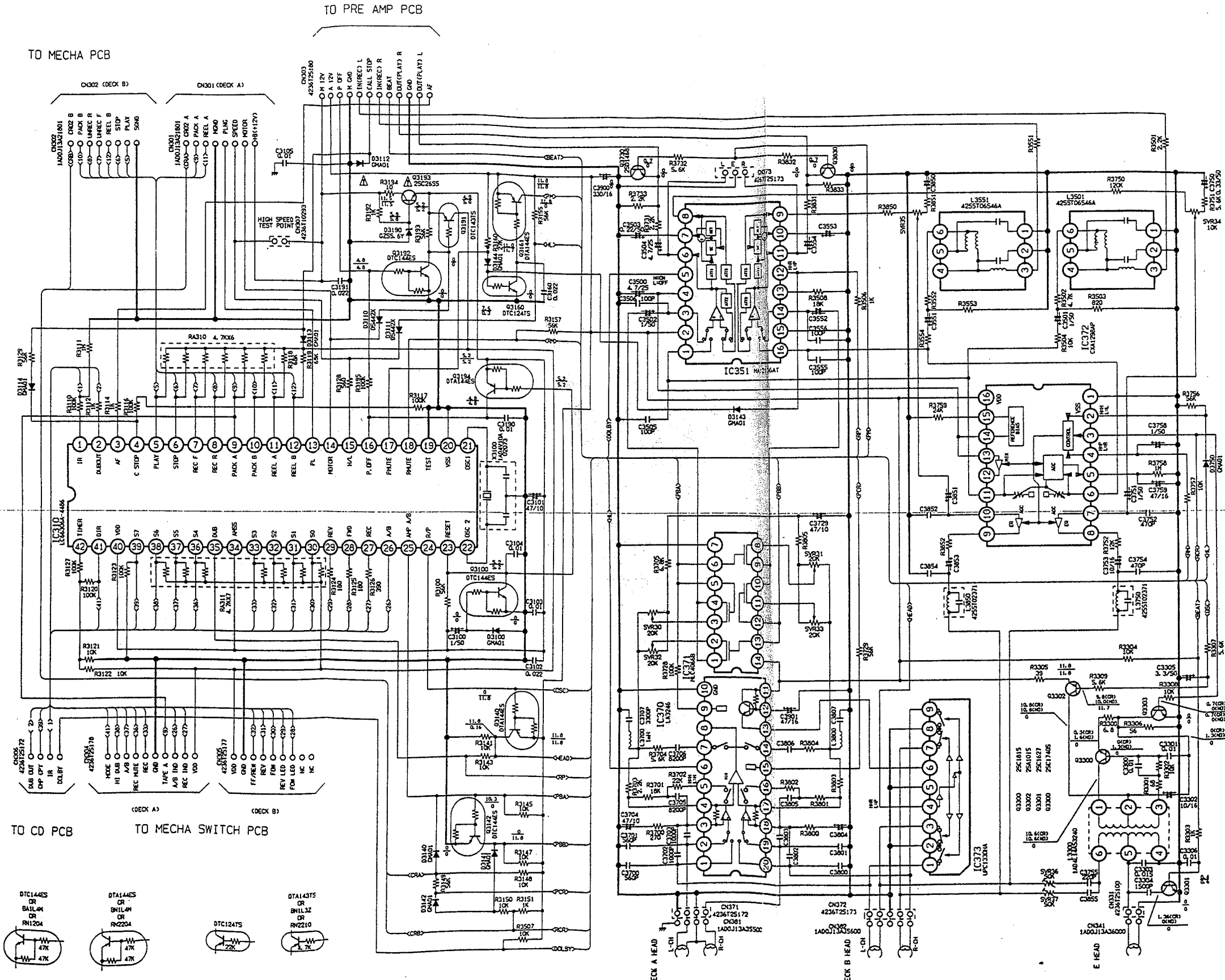
REFERENCE No. SM580243

SCHEMATIC DIAGRAM (CD)



This is a basic schematic diagram

SCHEMATIC DIAGRAM (TAPE DECK AMPLIFIER)



IC370				IC310			
NL	PLAY	REC	OTHER	NL	PLAY	REC	OTHER
1	0	0		1	4.8	4.8	
2	0	0		2	0	0	
3	0.56	0.56		3	0	0	
4	4.8	4.8		4	0	0	
5	4.8	4.8		5	0	0	
6	0.82	0.82	6.1(CH10UB)	6	5.0	5.0	
7	0	0		7	0	0	
8	4.8	4.8		8	0	0	
9	0	6.6		9	0	0	
10	0	0		10	0	0	
11	11.9	11.9		11	4.3	4.3	
12	11.8	11.8		12	-	-	
13	10.8	10.8		13	11.8	11.8	
14	0	0		14	0	0	
15	0.68	0		15	0	0	
16	4.7	4.7	6.8(CR02)	16	4.8	4.8	
17	4.7	4.7		17	0	0	
18	0.56	0.56		18	11.8	0	
19	0	0		19	0	0	
20	0	0		20	0	0	

IC371			
NL	PLAY	REC	OTHER
1	4.8	4.9	
2	4.8	4.9	
3	4.8	4.9	
4	4.8	4.9	
5	0	9.7	9.7 (DECK A PLAY)
6	0	0	
7	0	0	
8	4.8	4.9	
9	4.8	4.9	
10	4.8	4.9	
11	4.8	4.9	
12	11.8	0	0 (DECK A PLAY)
13	11.8	0	
14	11.8	11.8	

IC350			
NL	PLAY	REC	OTHER
1	6.0	6.0	
2	11.8	11.8	
3	6.0	6.0	
4	6.0	6.0	
5	6.0	6.0	
6	6.0	6.0	
7	6.0	6.0	
8	6.0	6.0	
9	6.0	6.0	
10	1.2	1.2	11.6(COOLBY ON)
11	6.0	6.0	
12	6.0	6.0	
13	6.0	6.0	
14	6.0	6.0	
15	6.0	6.0	
16	6.0	6.0	

IC373		
NL	PLAY	REC
1	0	0
2	0	0
3	0	0
4	0.2	11.8
5	0	0
6	10.9	10.9
7	0	0
8	0	0
9	0	0

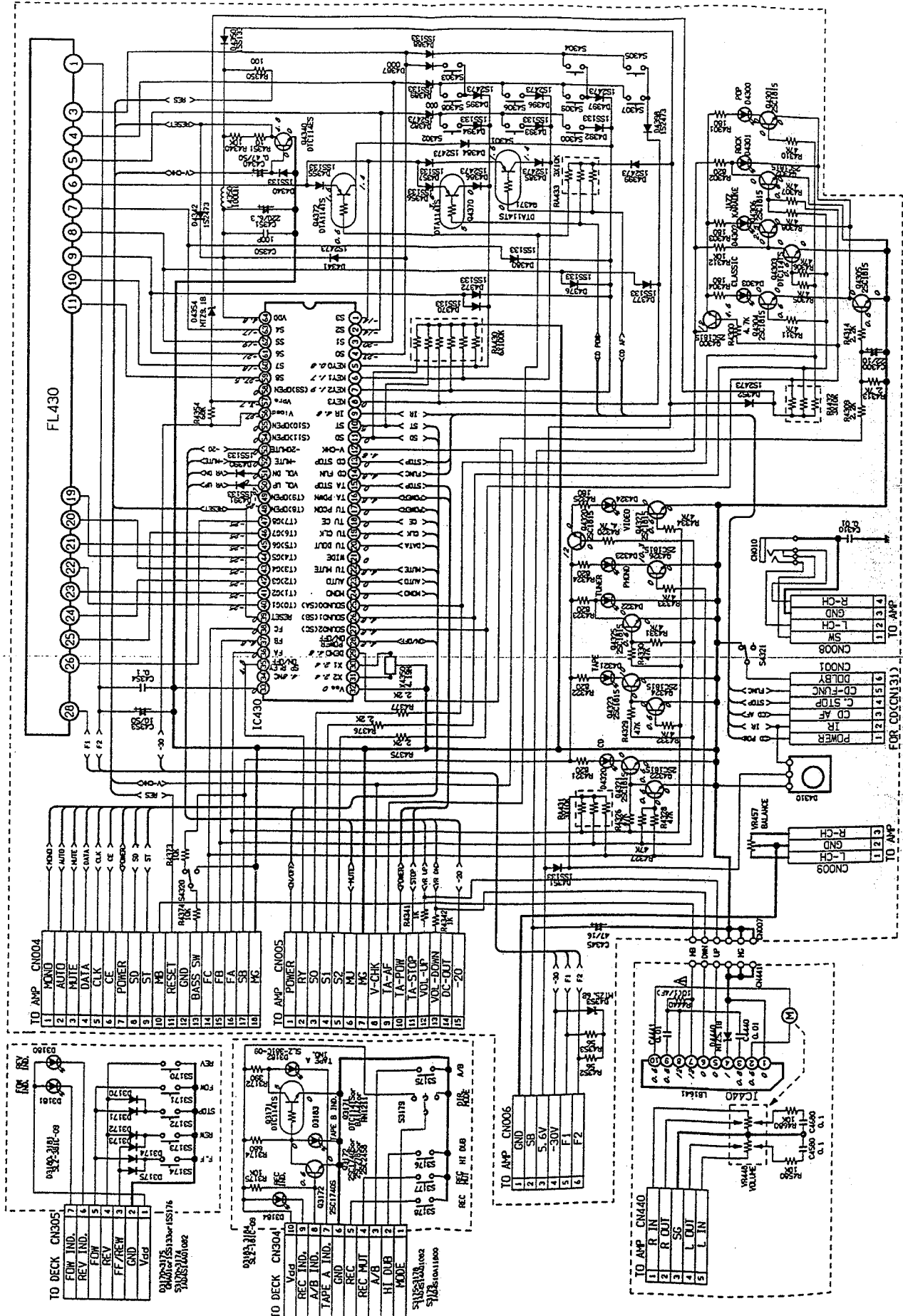
IC374			
NL	PLAY	REC	OTHER
1	0	0	
2	0.44	0.44	
3	0	0	
4	11.8	0	
5	0	0	
6	6.0	6.0	
7	6.0	6.0	
8	6.0	6.0	
9	6.0	6.0	
10	6.0	6.0	
11	6.0	6.0	
12	6.0	6.0	
13	6.0	6.0	
14	6.0	6.0	
15	1.2	1.2	
16	11.8	11.8	

VOLTAGE(V)  
DECK B REC  
DECK B PLAY

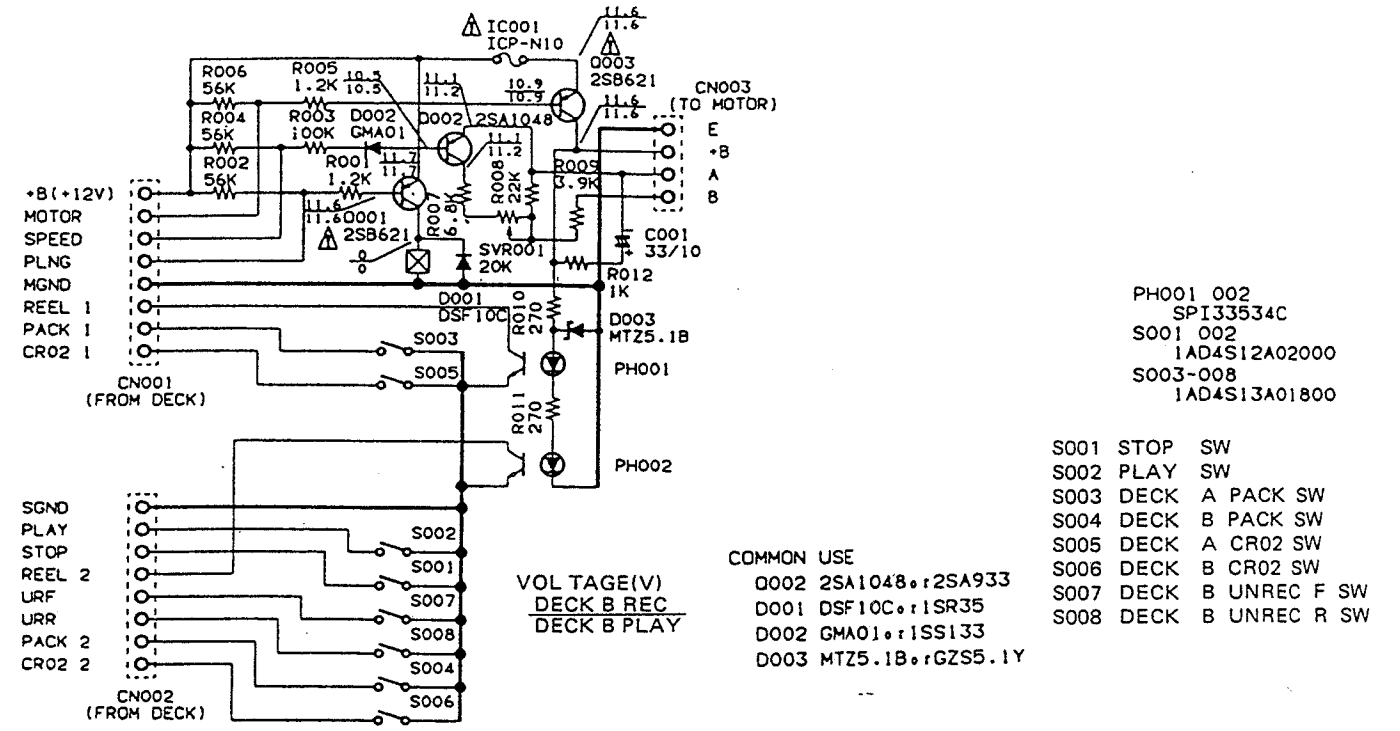
- COMMON USE  
 Q3100, 3142, 3192  
 DTC144ES OR BAIL4K OR RN1204  
 Q3140, 3161, 3194  
 DTA144ES OR BNL4K OR RN2204  
 Q3191  
 DTA143TS OR BNL3Z OR RN2210  
 Q3300  
 25C345 OR 25C1815  
 Q3302  
 25A733 OR 25A1015  
 Q3303  
 25C1740 OR 25C2795 OR 25C2458  
 Q3100, 3112, 3113, 3114, 3142, 3141  
 Q3142, 3143, 3144, 3170  
 Q3401 OR 15S133 OR 15S176  
 Q3110, 3111  
 DS442X OR 152473 OR 151588  
 Q3190  
 FT25, 6C OR Q25, 6Y  
 IC351  
 HA12136AT OR HA12136A  
 IC371  
 MLC4066B OR BL4066B OR  
 TC4066BP OR LPD4066BC

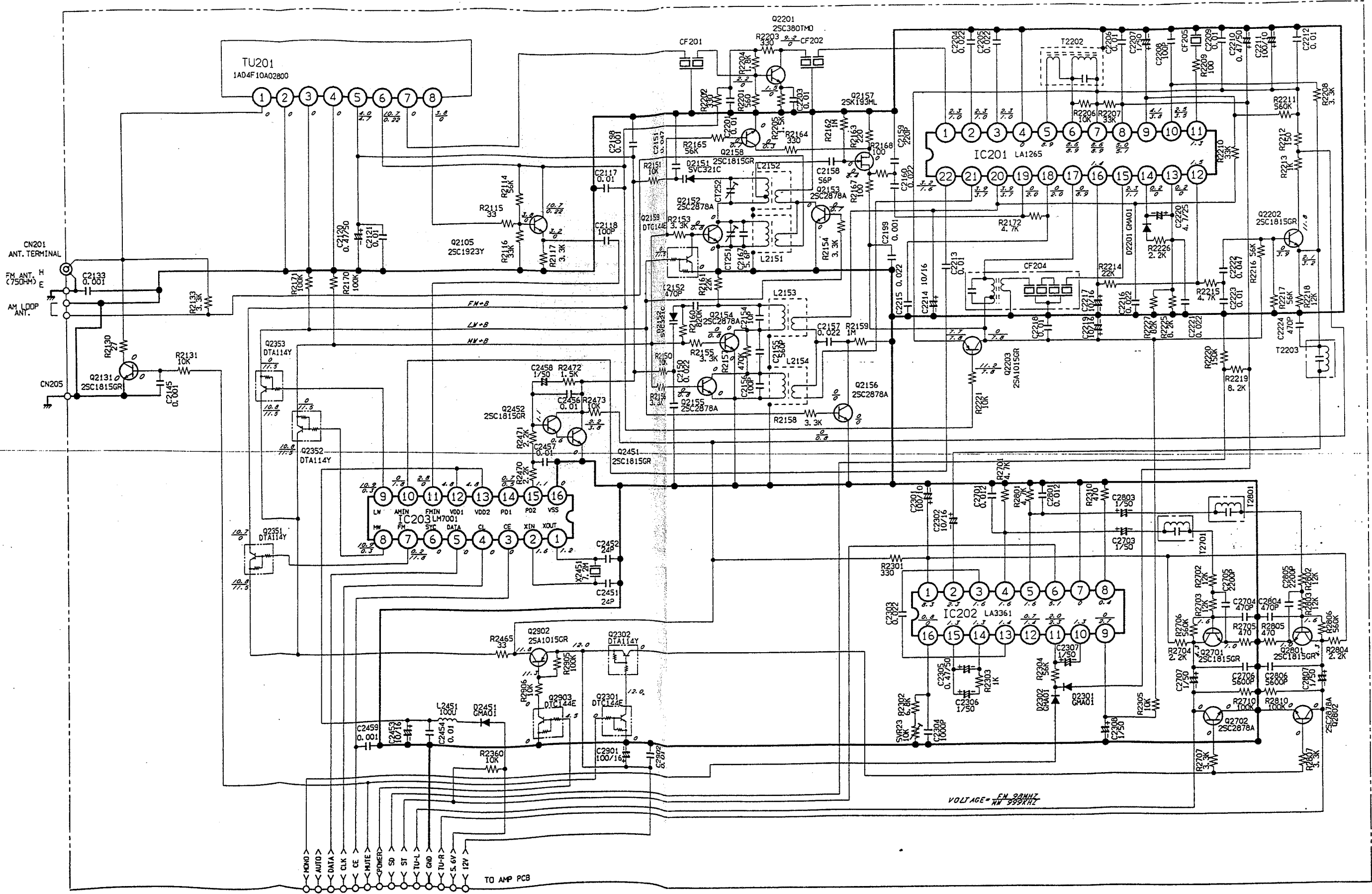
- 129-420-06 TAD-650/DE, SP  
 129-420-03 DC-040U/VE, SP  
 129-419-06 TAD-630/DE, SP  
 129-419-03 DC-020U/VE, SP

SCHEMATIC DIAGRAM (FRONT)

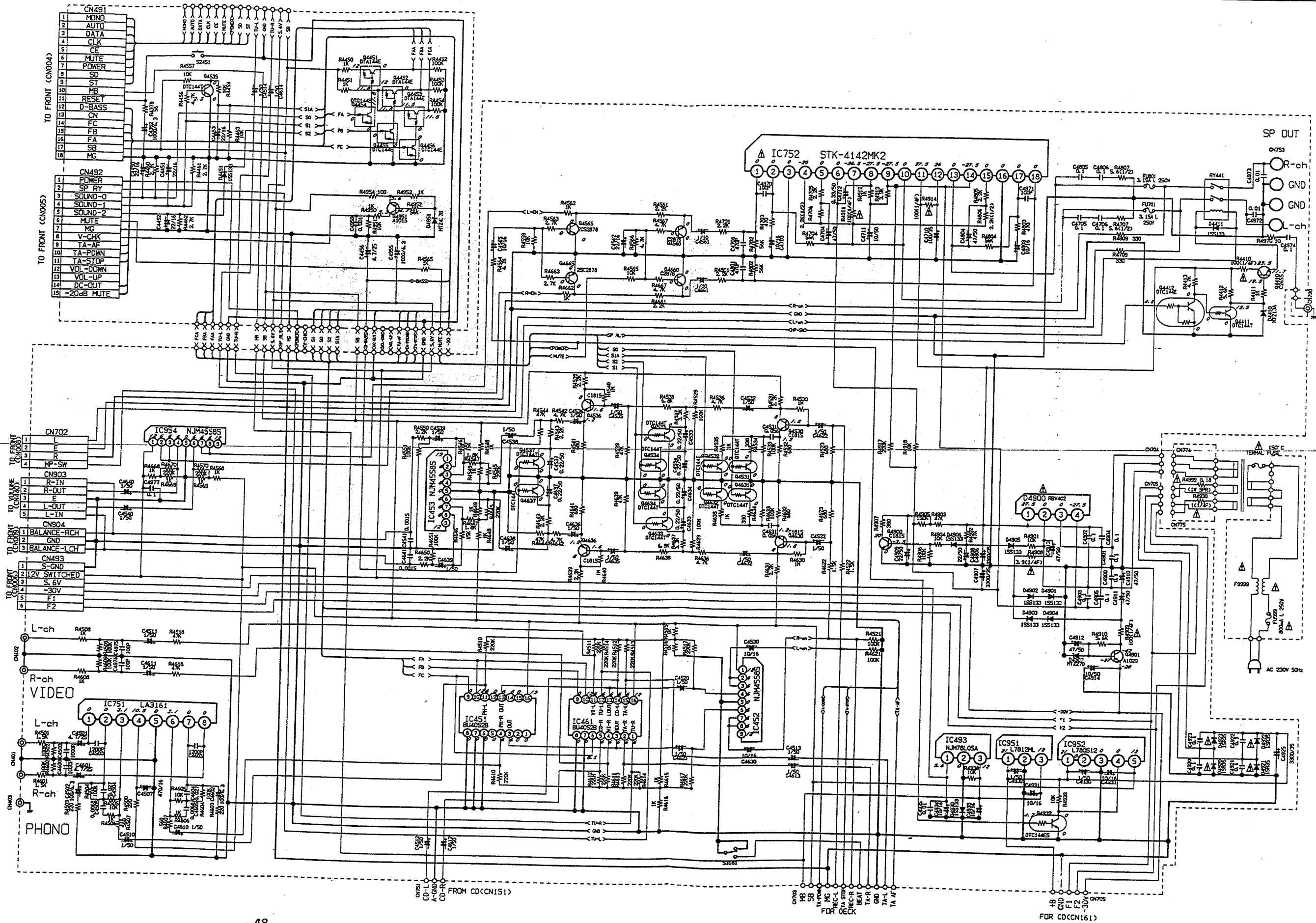


SCHEMATIC DIAGRAM (TAPE MECHANISM)





**SCHEMATIC DIAGRAM (MAIN AMPLIFIER)**



WIRING CONNECTION

