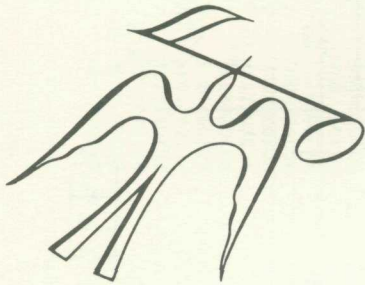


THE FISHER



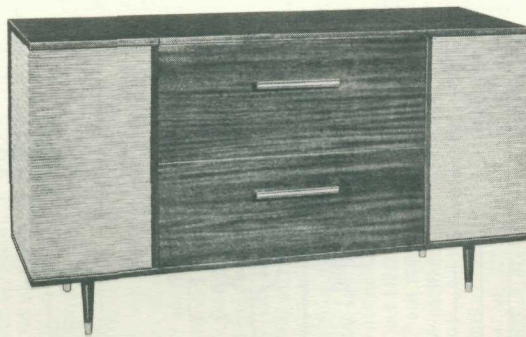
EXECUTIVE

EXECUTIVE II

SERVICE

MANUAL

MODEL 1000
MODEL ST-1000



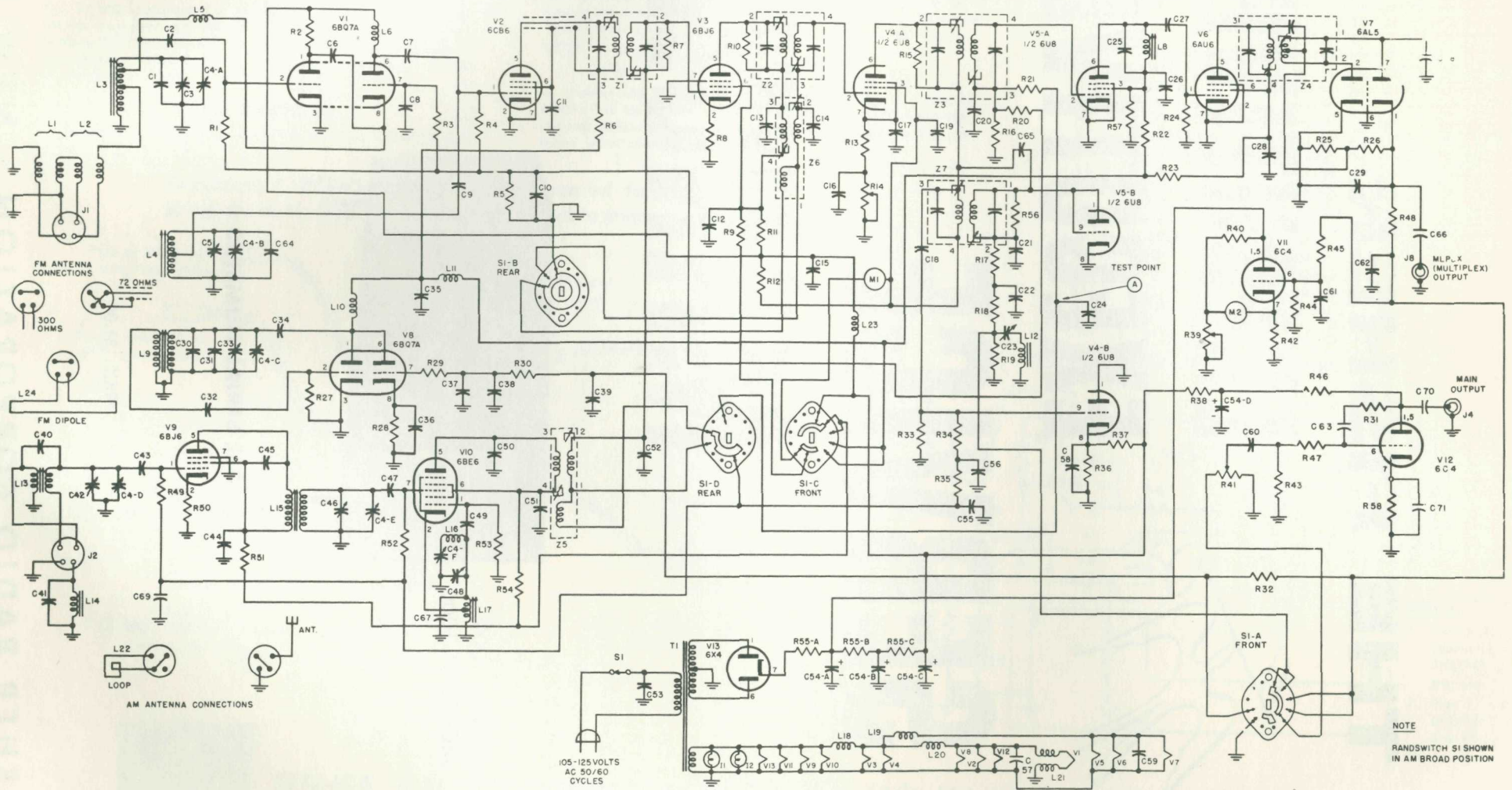
ALL SERIAL NUMBERS

PRICE: \$1.00

FISHER · RADIO CORPORATION · NEW YORK

THE FISHER "1000" "ST-1000"

TUNER SCHEMATIC DIAGRAM



TUNER PARTS LIST

CAPACITORS

20% tolerance for all fixed capacitors, unless noted otherwise. Cer. = ceramic.

SYMBOL	ORDER NO.	DESCRIPTION
C1	CC20CH100G5	Ceramic, 10 uuf, 500V
C2	C-520-143	Ceramic, 470 uuf, 600V
C3	C-520-158	Trimmer, FM antenna
C4	C-550-118	Variable, FM-AM tuning
C5	C-520-158	Trimmer, FM RF
C6	C-1315	Ceramic, 500 uuf, 500V
C7	CC21GP330M5	Ceramic, 33 uuf, 500V
C8	C-1315	Ceramic, 500 uuf, 500V
C9	C-3338	Ceramic, .005 uf, 500V
C10, 11	CK62GP502V6	Ceramic, .005 uf, 600V
C12	CK63GP203V6	Ceramic, .02 uf, 600V
C13, 14	C-3334	Mica, 470 uuf, 5%, 300V
C15	CK62GP103V6	Ceramic, .01 uf, 600V
C16, 17	CK62GP502V6	Ceramic, .005 uf, 600V
C18	C-3350	Ceramic, 47 uuf, 500V
C19	CK63GP203V6	Ceramic, .02 uf, 600V
C20	C-3350	Ceramic, 47 uuf, 500V
C21, 22	CC21GP101M5	Ceramic, 100 uuf, 500V
C23	C-3347	Padder, AM 10-KC filter
C24	CK63GP203V6	Ceramic, .02 uf, 600V
C25	C-3350	Ceramic, 47 uuf, 500V
C26	CK62GP502V6	Ceramic, .005 uf, 600V
C27	CC21GP221M5	Ceramic, 220 uuf, 500V
C28	CK62GP502V6	Ceramic, .005 uf, 600V
C29	CC21GP101M5	Ceramic, 100 uuf, 500V
C30	CC20UJ050F5	Ceramic, 5 uuf N750, 500V
C31	CC20PK040K5	Ceramic, 4 uuf N150, 500V
C32	C-3350	Ceramic, 47 uuf, 500V
C33	C-520-159	Trimmer, FM oscillator
C34	C-1315	Ceramic, 500 uuf, 500V
C35-37	CK62GP502V6	Ceramic, .005 uf, 600V
C38	C68P473M2	Tubular, .047 uf, 200V
C39	CK62GP502V6	Ceramic, .005 uf, 600V
C40	C-3039	Tubular, 2.2 uuf, 500V
C41	C-550-136	Mica, 15 uuf NPO, 300V
C42	C-550-129	Trimmer, AM antenna
C43	CC21GP221M5	Ceramic, 220 uuf, 500V
C44	CK62GP103V6	Ceramic, .01 uf, 600V
C45	C-1779	Tubular, 4.7 uuf, 500V
C46	C-550-129	Trimmer, AM RF
C47	CC21GP221M5	Ceramic, 220 uuf, 500V
C48	C-550-144	Trimmer, AM oscillator
C49	CC21GP221M5	Ceramic, 220 uuf, 500V
C50	C-3334	Mica, 470 uuf, 5%, 300V
C51	CK62GP103V6	Ceramic, .01 uf, 600V
C52	C-3334	Mica, 470 uuf, 5%, 300V
C53	C-2747	Tubular, .01 uf, 600V
C54	C-550-130	Electrolytic, four-section: C54-A: 40 uf, 250V C54-B: 40 uf, 200V C54-C: 40 uf, 200V C54-D: 30 uf, 200V

C55	C68P473M2	Tubular, .047 uf, 200V
C56-59	CK62GP502V6	Ceramic, .005 uf, 600V
C60	C68P473M2	Tubular, .047 uf, 200V
C61	CC62GP103V6	Ceramic, .01 uf, 600V
C62	CC21GP561K5	Ceramic, 560 uuf, 10%, 500V
C63	C68P223M2	Tubular, .022 uf, 200V
C64	CC20CH050F5	Ceramic, 5 uuf NPO, 500V
C65	C-1786	Tubular, 1 uuf, 500V
C66	C-556-122	Ceramic, .02 uf, 600V
C67	CC20VK100G5	Ceramic, 10 uuf N1400, 500V
C68	C-1786	Tubular, 1 uuf, 500V
C69	CK62GP502V6	Ceramic disc, .005 uuf, 600V
C70	C-546-126	Electrolytic, 1 uf, 250V
C71	C-556-137	Electrolytic, 25 uf, 6V

COILS, TRANSFORMERS, CHOKES

SYMBOL	ORDER NO.	DESCRIPTION
L1, 2	L-509-139	Coil, FM antenna matching
L3	AS-520-177	Coil, FM antenna
L4	AS-520-176	Coil, FM RF
L5	L-520-178	Coil, neutralization
L6	L-3352	Choke, RF, 2.2 uh
L7	—	Not used
L8	L-550-131	Coil, FM limiter
L9	AS-520-174	Transformer, FM oscillator
L10	L-509-147	Choke, RF
L11	L-3352	Choke, RF, 2.2 uh
L12	L-509-145	Coil, AM 10-KC filter
L13	L-509-137	Transformer, AM antenna
L14	L-509-135	Coil, AM antenna loading
L15	L-550-123	Transformer, AM RF
L16	L-520-156	Choke, RF
L17	L-550-122	Coil, AM oscillator
L18-20	L-520-156	Choke, filament
L21	L-509-140	Choke, bifilar, filament
L22	L-509-133	Loop antenna, AM (Add plug P-520-138 for assembly)
L23	L-3352	Choke, RF, 2.2 uh
L24	AS-520-163	Dipole antenna, FM (Includes plug P-520-138)
T1	T-637-106	Transformer, power
Z1	ZZ-2987	Transf assy, 1st FM IF
Z2, 3	ZZ-509-130	Transf assy, 2nd & 3rd FM IF
Z4	ZZ-550-145	Transf assy, FM discriminator
Z5, 6	ZZ-509-132	Transf assy, 1st & 2nd AM IF
Z7	ZZ-2984	Transf assy, 3rd AM IF

RESISTORS, POTENTIOMETERS, RHEOSTATS

In ohms, 10% tolerance, 1/2 watt, unless otherwise noted.
K = kilohm. M = megohm.

R1	RC20BF105K	Composition, 1M
R2	RC20BF471K	Composition, 470
R3, 4	RC20BF105K	Composition, 1M
R5	RC20BF224K	Composition, 220K
R6	RC20BF102K	Composition, 1K
R7	RC20BF333K	Composition, 33K
R8	RC20BF101K	Composition, 100
R9	RC20BF272K	Composition, 2700
R10	RC20BF474K	Composition, 470K
R11	RC20BF102K	Composition, 1K
R12	RC20BF122K	Composition, 1200

R13	RC20BF152K	Composition, 1500, in some units
R14	RC20BF101K	Composition, 100
	R-550-135-2	Rheostat, zero adjust, AM tuning meter
R15	RC20BF334K	Composition, 330K
R16	RC20BF473K	Composition, 47K
R17	RC20BF333K	Composition, 33K
R18	RC20BF473K	Composition, 47K
R19	RC20BF104K	Composition, 100K
R20, 21	RC20BF105K	Composition, 1M
R22	RC20BF273K	Composition, 27K
R23	RC20BF223K	Composition, 22K
R24	RC20BF103K	Composition, 10K
R25, 26	RC20BF104K	Composition, 100K
R27	RC20BF472K	Composition, 4700
R28	RC20BF102K	Composition, 1K
R29	RC20BF101K	Composition, 100
R30	RC20BF105K	Composition, 1M
R31	RC20BF684K	Composition, 680K
R32	RC20BF474K	Composition, 470K
R33	RC20BF225K	Composition, 2.2M
R34	RC20BF105K	Composition, 1M
R35	RC20BF224K	Composition, 220K
R36	RC20BF223K	Composition, 22K
R37	RC20BF224K	Composition, 220K
R38	RC20BF222K	Composition, 2200
R39	R-550-135-1	Rheostat, zero adjust, FM tuning meter
R40	RC30BF333K	Composition, 33K, 1W
R41	R-520-139	Potentiometer, output level adjust
R42	RC20BF332K	Composition, 3300
R43, 44	RC20BF105K	Composition, 1M
R45	RC20BF225K	Composition, 2.2M
R46	RC20BF124K	Composition, 120K
R47, 48	RC20BF154K	Composition, 150K
R49	RC20BF105K	Composition, 1M
R50	RC20BF101K	Composition, 100
R51	RC20BF102K	Composition, 1K
R52	RC20BF105K	Composition, 1M
R53	RC20BF223K	Composition, 22K
R54	RC20BF102K	Composition, 1K
R55	R-550-134	Wirewound, three-section: R55-A: 220, 5W R55-B: 330, 5W R55-C: 580, 5W
R56	RC20BF683K	Composition, 68K
R57	RC20BF153K	Composition, 15K
R58	RC20BF222K	Composition, 2200

MISCELLANEOUS

SYMBOL	ORDER NO.	DESCRIPTION
I1, 2	I-50009-1	Lamp, dial edge lighting
J1, 2	J-520-137	Jack, antenna input
J3, 4	J-3143	Jack, output
M1	M-550-132-1	Meter, AM tuning
M2	M-550-132-2	Meter, FM tuning
P*	P-520-138	Plug, antenna
S1	S-600-104	Switch, AM-FM tuner selector
S2	Part of S1	Switch, AC power

TUNER VOLTAGE AND RESISTANCE

Tuner Voltage Chart

Set line voltage at 117 volts AC, 60 cycles. Readings are in DC volts unless otherwise noted. Use vacuum-tube voltmeter.

SYMBOL	CHNL SEL.	TUBE SOCKET TERMINAL NUMBERS								
		1	2	3	4	5	6	7	8	9
V1	FM	110	N	0	0	6.3 AC	115	N	0	0
V2	FM	2.5	0	0	6.3 AC	110	110	0	X	X
V3	FM-AM	N	1.5	0	6.3 AC	105	105	0	X	X
V4	FM-AM	0	0	100	6.3 AC	0	100	1.5a	9	N
V5	FM	N	N	22	6.3 AC	0	22	0	0	N
	AM	N	N	N	6.3 AC	0	N	0	0	N
V6	FM	N	0	6.3 AC	0	50	50	0	X	X
V7	FM	0	-4	6.3 AC	0	1.5	0	-4	X	X
V8	FM	110	-3	0	0	6.3 AC	110	N	2	0
V9	AM	N	1.5	0	6.3 AC	100	100	0	X	X
V10	AM	-9	0	6.3 AC	0	100	100	N	X	X
V11	FM	170	X	0	6.3 AC	X	N	5b	X	X
V12	FM-AM	X	0	0	6.3 AC	35	0	1.5	X	X
V13	FM-AM	175 AC	X	0	6.3 AC	X	175 AC	190	X	X

SYMBOL	CHNL SEL.	TERMINAL SYMBOL	VOLTAGE	CHART NOTES	
				AC	Notes
C54-A	FM-AM	■	170	AC	AC volts
C54-B	FM-AM	◐	150	N	Less than 1 volt DC, negative
C54-C	FM-AM	▲	115	X	No connection
C54-D	FM-AM	—	112	a	Varies from 1 to 2 volts, depending on setting of R14, AM meter adjustment
				b	Varies from 3 to 8 volts, depending on setting of R39, FM meter adjustment

All readings taken with vacuum tube voltohmmeter with respect to chassis ground, subject to 10% normal variation. Set dial pointer at zero index mark. Set output level control at minimum, counterclockwise.

Tuner Resistance Chart

Disconnect the chassis AC power cord. Disconnect all cables to associated equipment. Discharge all electrolytic capacitors to chassis ground through a 100-ohm resistor. Readings are in ohms, unless otherwise noted.

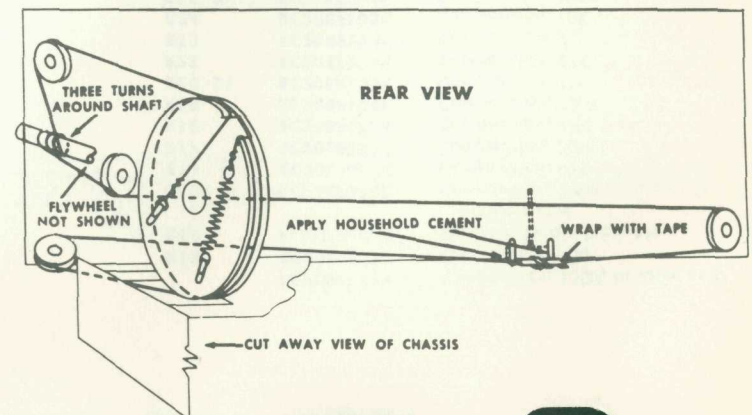
SYMBOL	CHNL SEL.	TUBE SOCKET TERMINAL NUMBERS								
		1	2	3	4	5	6	7	8	9
V1	FM	20K+	1.2M	0	L	L	20K+	1.2M	L	0
V2	FM	1.2M	0	0	L	20K+	20K+	0	X	X
V3	FM	1M	100	0	L	20K+	20K+	0	X	X
	AM	3.2M	100	0	L	20K+	20K+	0	X	X
V4	FM-AM	0	6	20K+	L	0	20K+	100a	22K	2.2M
V5	FM	180K	40K	10K+	L	0	10K+	0	0	180K
	AM	160K	40K	15K	L	0	15K	0	0	160K
V6	FM	10K	0	L	0	40K+	40K+	0	X	X
V7	FM	0	100K	L	0	150K	0	100K	X	X
V8	FM	20K+	4700	0	0	L	20K+	1.8M	1K	0
V9	AM	4M	100	0	L	30K	30K	0	X	X
V10	AM	22K	L	L	0	30K	30K	4M	X	X
V11	FM	20K+	X	0	L	X	700K	1Kb	X	X
V12	FM-AM	X	30c	0	L	150K+	1.2M	2200	X	X
V13	FM-AM	55	X	0	L	X	20K+	55	X	X

SYMBOL	CHNL SEL.	TERMINAL SYMBOL	RESISTANCE	CHART NOTES	
				K	M
C54-A	FM-AM	■	20K+	K	Kilohm
C54-B	FM-AM	◐	20K+	L	Less than 1 ohm
C54-C	FM-AM	▲	20K+	+	Minimum normal reading, rising with capacitor charge
C54-D	FM-AM	—	20K+	a	Varies from 100 to 350 ohms, depending on setting of R14, AM meter adjustment
				b	Varies from 400 to 1500 ohms, depending on setting of R39, FM meter adjustment
				c	Tie point only, R41-C60 junction

DIAL CORD REPLACEMENT

1. Disconnect all cables to the tuner-control chassis. There are two slot-head retaining screws through the chassis mounting board, one on each side of the chassis. Remove these. Carefully lift the chassis out of the cabinet.
2. Remove the knobs, and any hexagonal nuts located behind the knobs. Lift the brass panel away.
3. Remove the defective dial cord and dial pointer. String the new dial cord as shown in the diagram.

4. Turn the station selector to its extreme counterclockwise position without forcing. Position the dial pointer at the last index mark at the low-frequency end of the dial. Wrap the dial cord with adhesive tape where it passes under the pointer. Mount the pointer over the tape and secure in place with household cement.
5. Replace the chassis and panel. Refer to the interconnecting cable diagram in replacing all cable connections.



TUNER ALIGNMENT

Read These Instructions With Extreme Care

Before Attempting Alignment

CHASSIS: Turn the station selector completely counterclockwise, without forcing. The dial pointer should be at the last reference mark at the low-frequency end of the dial scale. If it is not, re-set the dial pointer as described under Dial Cord Replacement. Disconnect both the FM and AM antennas. Disconnect the cable from the main output jack on the tuner chassis to the tuner input jack on the audio control chassis.

SIGNAL GENERATOR: The signal generator equipment must be able to supply the following: AM RF modulated 30% at 400 cps. FM RF modulated 30% (± 22.5 -KC deviation) at 400 cps.

accurately calibrated 10-KC audio output for adjusting 10-KC AM whistle filter, AM IF with 30-KC sweep for AM bandwidth adjustment.

INDICATOR: AC VTVM and SCOPE for AM alignment. DC VTVM for FM alignment.

ALIGNMENT: Allow the chassis and test instruments to warm up for at least fifteen minutes. Adjust the line voltage for 117 volts AC, 60 cycles. Use fully insulated tools: a small slot-head screwdriver for all coils and capacitors, and a K-tran tool for All transformers, Z1 through Z7.

AM ALIGNMENT

Switch channel selector to TUNER position.

STEPS	CHASSIS		SIGNAL GENERATOR			INDICATOR		ALIGNMENT	
	AM-FM SEL	STATION SEL	COUPLING	FREQ.	MOD.	TYPE	CONNECTION	ADJUST	INDICATION
1	AM SHARP	Point of no signal and no interference	.01-uf capacitor in series with hot lead to V10, pin 7	455 KC	30% AM at 400 cps	AC VTVM	Tuner chassis main output	Z5, Z6, Z7 top and bottom	Maximum Deflection
2	"	1400 KC	220-uuf capacitor in series with hot lead to J2, antenna input jack	1400 KC	"	"	"	C42, C46, C48	"
3	AM SHARP	600 KC	"	600 KC	"	"	"	L13, L15, L17	"
4	Repeat steps 2 and 3 at least once for proper dial calibration.								
5	AM BROAD	Point of no signal and no interference	.01-uf capacitor in series with hot lead to J2, antenna input jack	455 KC	30-KC sweep	SCOPE	Tuner chassis main output	Z7 bottom	Adjust slightly for symmetrical curve
6	FM	Point of no signal and no interference	Ungrounded tube shield of V2	10.7 MC	None	DC VTVM	Test point A, R21-C24 junction	Z1, Z2, Z3 top and bottom	Maximum Deflection
7	"	"	"	"	"	"	1-meg resistor to V6, pin 1	L8	"
8	"	"	"	"	"	"	Pin 6, V11	Z4 bottom, after first slightly detuning Z4 top	"
9	"	"	"	"	"	"	"	Z4 top	Zero reading on zero-center scale
10	"	106 MC	Two 120-ohm carbon resistors in series with leads to 300-ohm FM antenna input terminals	106 MC	30% FM (22.5 KC dev) at 400 cps	"	Test point A, R21-C24 junction	C33	Maximum Deflection
11	"	90 MC	"	90 MC	"	"	"	L9	"
12	"	106 MC	"	106 MC	"	"	"	C3, C5	"
13	"	90 MC	"	90 MC	"	"	"	L3, L4	"
14	Repeat steps 10 through 13 at least once for proper dial calibration and maximum output.								

FM ALIGNMENT

Switch channel selector to TUNER position.

TUNER ADJUSTMENTS

ADJUSTING 10 KC AM WHISTLE FILTER: Connect an audio oscillator to pin 1 of V5, and set for 10 KC. The oscillator MUST

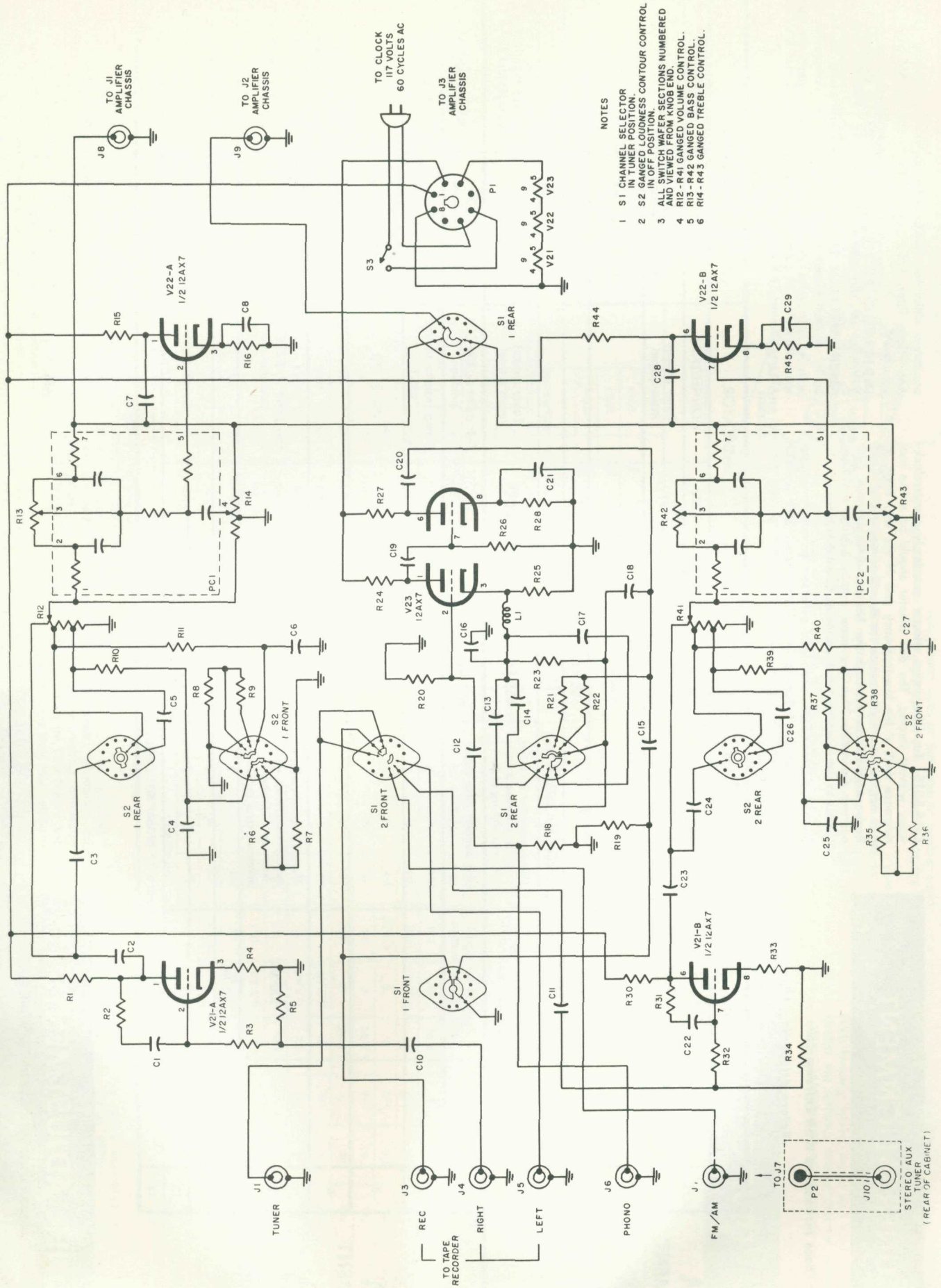
be accurately calibrated, or this adjustment should not be attempted. Connect an AC VTVM to the tuner chassis main output, Adjust C23 for minimum output indication. Use a small fully-insulated slot-head screwdriver,

FM METER ADJUSTMENT: Disconnect the FM antenna, and switch the FM-AM tuner selector to the FM position. Allow the tuner to warm up for fifteen minutes. The meter pointer should now be at the center of the small horizontal bar. If it is not, rotate the meter adjustment until it is, using a small slot-head

screwdriver. The adjustment is located directly behind the meter on the top surface of the chassis.

AM METER ADJUSTMENT: Disconnect the AM antenna, and switch the FM-AM tuner selector to the AM SHARP position. Allow the tuner to warm up for fifteen minutes. The meter pointer should now be at the zero mark. If it is not, rotate the meter adjustment until it is, using a small slot-head screwdriver. The adjustment is located directly behind the meter on the top surface of the chassis.

CONTROL SCHEMATIC DIAGRAM



- NOTES
- 1 S1 CHANNEL SELECTOR IN TUNER POSITION.
 - 2 S2 GANGED LOUDNESS CONTROL IN OFF POSITION.
 - 3 ALL SWITCH W/ER SECTIONS NUMBERED IN OFF POSITION.
 - 4 R12-R41 GANGED VOLUME CONTROL.
 - 5 R13-R42 GANGED BASS CONTROL.
 - 6 R14-R43 GANGED TREBLE CONTROL.

TO J7
STEREO AUX
TUNER
(REAR OF CABINET)

CONTROL PARTS LIST

CAPACITORS

20% tolerance for all capacitors, unless noted otherwise.
Cer. = ceramic.

SYMBOL	ORDER NO.	DESCRIPTION
C1, 22	C-556-122	Cer. disc, .02 uf, 10%, 600V
C2, 23	C-546-126	Electrolytic, 1 uf, 250V
C3, 24	CC21GP221K5	Ceramic, 220 uuf, 10%, 500V
C4, 25	C68P472K2	Molded tubular, 4700 uuf, 10%, 200V
C5, 26	CC21GP121K5	Ceramic, 120 uuf, 10%, 500V
C6, 27	C68P472K2	Molded tubular, 4700 uuf, 10%, 200V
C7, 28	C68P104M4	Molded tubular, 0.1 uf, 400V
C8, 29	C-639-114	Electrolytic, 25 uf, 6V
C9	—	Not used
C10, 11	C-584-123	Ceramic disc, .05 uf, 10%, 600V
C12	C-556-122	Ceramic disc, .02 uf, 10%, 600V
C13	CC21GP470K5	Ceramic, 47 uuf, 10%, 500V
C14	CC21GP680K5	Ceramic, 68 uuf, 10%, 500V
C15	C-584-123	Ceramic disc, .05 uf, 10%, 600V

C16	CC21GP470K5	Ceramic, 47 uuf, 10%, 500V
C17	CC21GP151K5	Ceramic, 150 uuf, 10%, 500V
C18	CC26GP102K5	Ceramic, 1000 uuf, 10%, 500V
C19	CC26GP182K5	Ceramic, 1800 uuf, 10%, 500V
C20	C-556-122	Ceramic disc, .02 uf, 10%, 600V
C21	C-639-114	Electrolytic, 25 uf, 6V

RESISTORS AND POTENTIOMETERS

Values in ohms, 10% tolerance, 1/2 watt, unless otherwise noted. K = kilohm. M = megohm.

R1, 30	RC20BF154K	Composition, 150K
R2, 31	RC20BF185K	Composition, 1.8M
R3, 32	RC20BF104K	Composition, 100K
R4, 33	RC20BF681K	Composition, 680
R5, 34	RC20BF105K	Composition, 1M
R6, 35	RC20BF683K	Composition, 68K
R7, 36	RC20BF473K	Composition, 47K
R8, 37	RC20BF473K	Composition, 47K
R9, 38	RC20BF683K	Composition, 68K
R10, 39	RC20BF473K	Composition, 47K
R11, 40	RC20BF473K	Composition, 47K
R12, 41	R-632-108	Potentiometer, ganged dual, each 500K, volume, with S3
R13, 42	R-632-107	Potentiometer, ganged dual, each 1M, bass
R14, 43	R-632-106	Potentiometer, ganged dual, each 500K, treble

R15, 44	RC20BF104K	Composition, 100K
R16, 45	RC20BF272K	Composition, 2700
R17	—	Not used
R18	RC20BF473K	Composition, 47K
R19	RC20BF475K	Composition, 4.7M
R20	RC20BF105K	Composition, 1M
R21	RC20BF335K	Composition, 3.3M
R22	RC20BF156K	Composition, 15M
R23	RC20BF474K	Composition, 470K
R24	RC30BF224K	Composition, 220K, 1W
R25	RC30BF272K	Composition, 2700, 1W
R26	RC20BF225K	Composition, 2.2M
R27	RC20BF224K	Composition, 220K
R28	RC20BF272K	Composition, 2700
R29	—	Not used

MISCELLANEOUS

SYMBOL	ORDER NO.	DESCRIPTION
J1-10	J-3143	Jack, input and output
L1	L-50066-7	Choke, rf, 2.2 uh
PC1, 2	PC-552-105	Printed ckt, tone control
P1	P-1598	Plug, octal
P2	P-1031	Plug, input
S1	S-632-109	Switch, channel selector
S2	S-632-105	Switch, loudness balance
S3	Part of R12	Switch, AC on-off

CONTROL VOLTAGE AND RESISTANCE

All readings taken with vacuum-tube voltohmmeter with respect to chassis ground, subject to 10% normal variation. Octal plug and cable must be connected to amplifier chassis for power. Volume control minimum counterclockwise. Tone controls flat. Loudness balance control off.

Control Voltage Chart

With octal plug and cable connected to the amplifier chassis, set the line voltage at 117 volts AC, 60 cycles. Readings are in DC volts unless otherwise noted.

SYMBOL	CHNL SEL.	TUBE SOCKET TERMINAL NUMBERS								
		1	2	3	4	5	6	7	8	9
V21	ALL	120	0	P	0	10	120	0	P	5
V22	ALL	175	0	1.3	10	20	180	0	1.3	15
V23	ALL	78	0	P	20	30	88	0	P	25

CHART NOTES: P=Reading less than 1 volt DC.

Control Resistance Chart

Disconnect all cables to associated equipment. Be sure no AC is present. Readings are in ohms, unless otherwise noted.

SYMBOL	CHNL SEL.	TUBE SOCKET TERMINAL NUMBERS								
		1	2	3	4	5	6	7	8	9
V21	ALL	650K+	1.1M	680	0	20+	650K+	1.1M	680	8+
V22	ALL	600K+	500Ka	2.7K	16+	32+	600K+	500Ka	2.7K	24+
V23	ALL	800K+	1M	2.7K	32+	48+	800K+	2.2M	2.7K	40+

CHART NOTES: K=Kilohm. M=Megohm. +=Minimum reading, rises as capacitors charge.
a=250 to 500K, depending on bass setting.

AMPLIFIER PARTS LIST

CAPACITORS

20% tolerance for all capacitors, unless noted otherwise.
Cer. = ceramic.

SYMBOL	ORDER NO.	DESCRIPTION
C1, 2	CC21GP221K5	Ceramic, 220 uuf, 10%, 500V
C3-6	C-556-122	Cer. disc, .02 uf, 10%, 600V
C7, 8	CC21GP151K5	Ceramic, 150 uuf, 10%, 500V
C9	C-563-128	Electrolytic, three-section: C9-A: 40 uf, 450V C9-B: 40 uf, 450V C9-C: 100 uf, 50V
C10	C-563-127	Electrolytic, three-section: C10-A: 20 uf, 450V C10-B: 40 uf, 450V C10-C: 40 uf, 450V
C11	C-2747	Molded tubular, .01 uf, 600V

RESISTORS

Values in ohms, 10% tolerance, 1/2 watt, unless otherwise noted. K = kilohm. M = megohm.

SYMBOL	ORDER NO.	DESCRIPTION
R1, 2	RC20BF475K	Composition, 4.7M
R3, 4	RC20BF124K	Composition, 120K
R5, 6	RC20BF104K	Composition, 100K
R7, 8	RC20BF222K	Composition, 2200
R9, 10	RC20BF104K	Composition, 100K
R11-14	RC20BF474K	Composition, 470K
R15, 16	RC20BF183K	Composition, 18K
R17, 18	RC20BF102K	Composition, 1K
R19, 20	RC20BF224K	Composition, 220K
R21-24	RC20BF680K	Composition, 68
R25	RC20BF224K	Composition, 220K
R26	RC40BF472K	Composition, 4700, 2W
R27	R-563-200	Wirewound, 7K, 7W

R28	R-539-120	Wirewound, 200, 7W
R29	R-556-142	Wirewound, 50, 5W
R30	RC20BF472K	Composition, 4700
R31	RC20BF103K	Composition, 10K

TRANSFORMERS

SYMBOL	ORDER NO.	DESCRIPTION
T1, 2	T-539-117	Transformer, output
T3	T-563-116	Transformer, power

MISCELLANEOUS




SYMBOL	ORDER NO.	DESCRIPTION
J1, 2	J-3143	Jack, input
J3	X-1530	Receptacle, octal
J4-7	J-546-129	Receptacle, AC
F1	F-3000	Fuse, 3 ampere

AMPLIFIER VOLTAGE AND RESISTANCE

Amplifier Voltage Chart

Set line voltage at 117 volts AC, 60 cycles. Readings are in DC volts unless otherwise noted. Use vacuum-tube voltmeter.


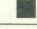

SYMBOL	CHNL SEL.	TUBE SOCKET TERMINAL NUMBERS								
		1	2	3	4	5	6	7	8	9
V31±10%	ALL	42	0	2.5	27	27	170	42	50	27
V32±10%	ALL	40	0	2.7	27	27	175	40	45	27
V33±5%	ALL	X	17	27	27	27	X	380	X	255
V34±5%	ALL	X	17	27	27	27	X	380	X	255
V35±5%	ALL	X	17	27	27	27	X	380	X	255
V36±5%	ALL	X	17	27	27	27	X	380	X	255
V37±3%	ALL	350	X	410	27	27	X	350	X	X
V38±3%	ALL	350	X	410	27	27	X	350	X	X

SYMBOL	CHNL SEL.	CAPACITOR TERMINALS			CHART NOTES
					
C10	ALL	125	225	27	X=No connection
C11	ALL	380	410	255	

Amplifier Resistance Chart

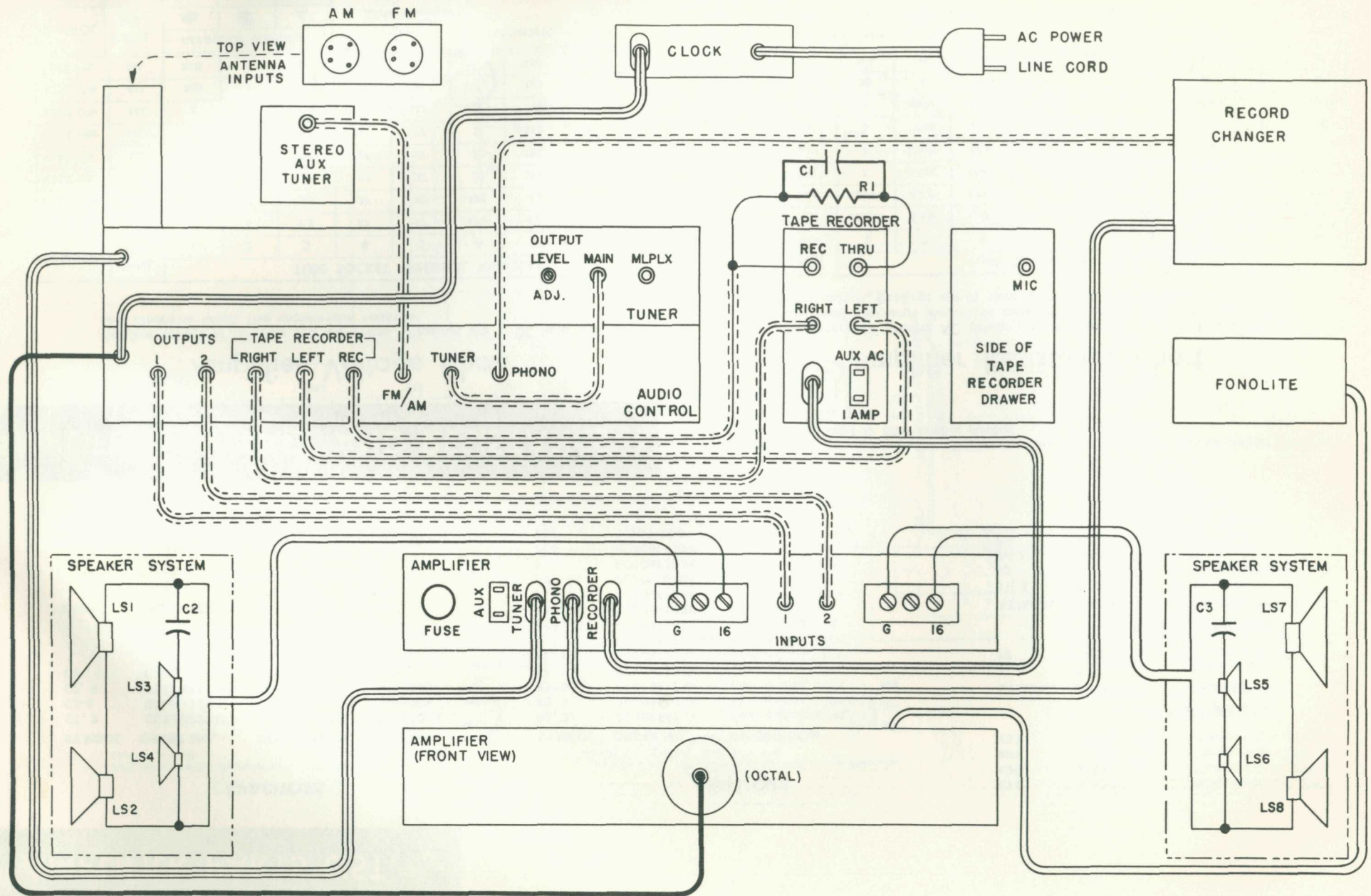
Disconnect the chassis AC power cord. Disconnect all cables to associated equipment. Discharge electrolytic capacitors to chassis ground through a 100-ohm resistor. Readings are in ohms, unless otherwise noted.

SYMBOL	CHNL SEL.	TUBE SOCKET TERMINAL NUMBERS								
		1	2	3	4	5	6	7	8	9
V31	ALL	500K+	4.7M	1.7K	50+	50+	500K+	500K+	100K	50+
V32	ALL	500K+	4.7M	1.7K	50+	50+	500K+	500K+	100K	50+
V33	ALL	X	500K	50+	50+	50+	X	500K+	X	500K+
V34	ALL	X	800K	50+	50+	50+	X	500K+	X	500K+
V36	ALL	X	500K	50+	50+	50+	X	500K+	X	500K+
V35	ALL	X	800K	50+	50+	50+	X	500K+	X	500K+
V37	ALL	50	X	500K+	50+	50+	X	50	X	X
V38	ALL	50	X	500K+	50+	50+	X	50	X	X

SYMBOL	CHNL SEL.	CAPACITOR TERMINALS			CHART NOTES
					
C10	ALL	500K+	500K+	50+	X=No connection K=Kilohm M=Megohm +=Minimum reading, rises as capacitors charge
C11	ALL	500K+	500K+	500K+	

All readings taken with vacuum-tube voltohmmeter with respect to chassis ground, subject to normal variation, as noted next to tube symbol number.

CHASSIS INTERCONNECTION DIAGRAM



ASSEMBLY PARTS LIST

SYMBOL	ORDER NO.	DESCRIPTION
C1	C-1315	Capacitor, ceramic, 500 uuf, 10%, 500V
C2, 3	C68P105M1	Capacitor, molded tubular, 1 uf, 20%, 100V
R1	RC20BF334K	Resistor, composition, 330K, 10%, 1/2 W
LS1, 7	LS-634-108	Loudspeaker, 12-inch, woofer
LS2, 8	LS-634-107	Loudspeaker, 8-inch, mid-range
LS3-6	LS-547-124	Loudspeaker, 3-inch, tweeter

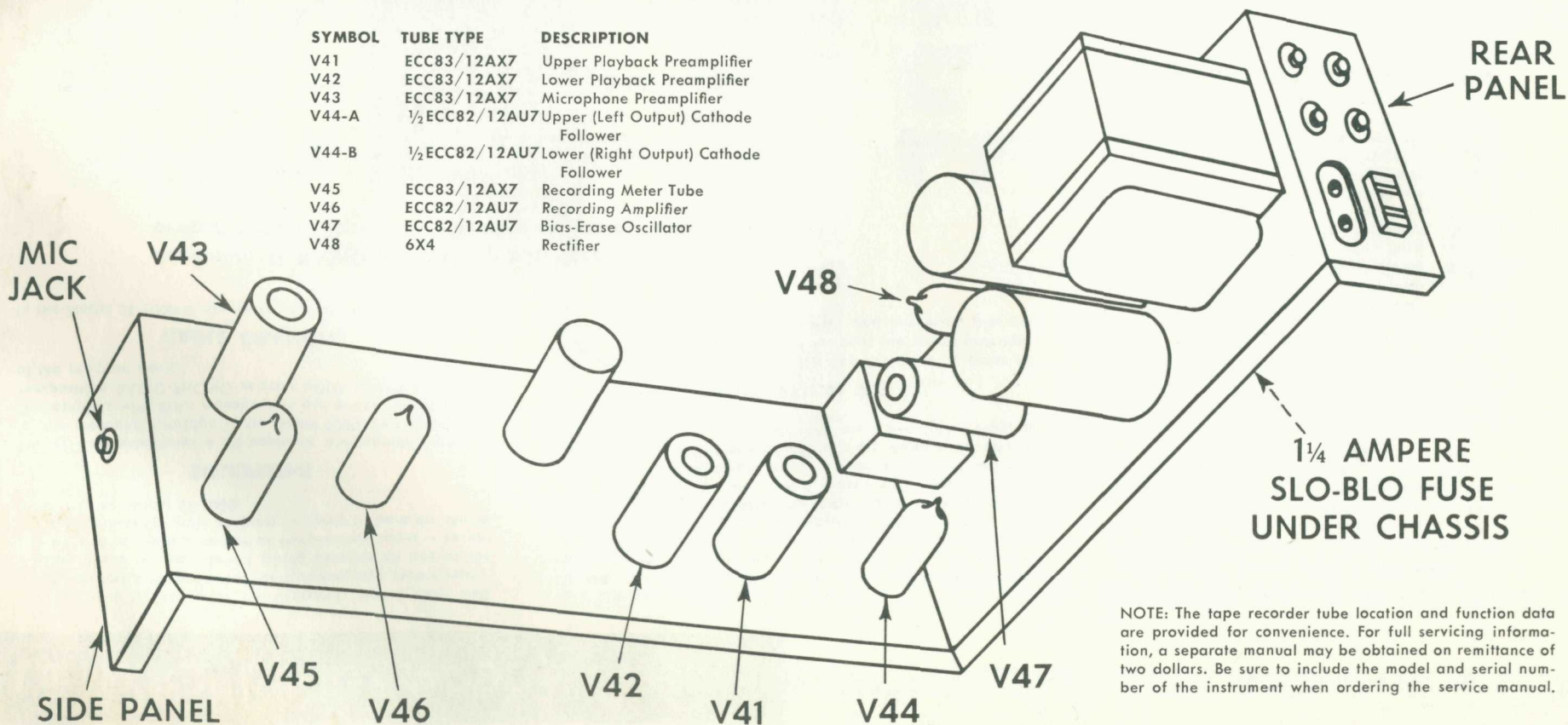
MISCELLANEOUS

ORDER NO.	DESCRIPTION
A5-634-106	Dress panel, control center
A-634-105	Tape recorder
A5-633-118	Program clock
A-634-119	Microphone stand
E-50001-1	Knob, station selector

E-50001-2	Knob, tuner selector, bass, treble, channel selector, loudness balance, volume
G-50040-6	Phonograph cartridge and dual stylus
M-221	Dual stylus, diamond and sapphire
Q-634-118	Microphone
RC-547-122	Record changer, less cartridge
S-634-117	Fonolite switch
I-588-117	Fonolite lamp

TAPE RECORDER TUBE GUIDE

SYMBOL	TUBE TYPE	DESCRIPTION
V41	ECC83/12AX7	Upper Playback Preamplifier
V42	ECC83/12AX7	Lower Playback Preamplifier
V43	ECC83/12AX7	Microphone Preamplifier
V44-A	1/2 ECC82/12AU7	Upper (Left Output) Cathode Follower
V44-B	1/2 ECC82/12AU7	Lower (Right Output) Cathode Follower
V45	ECC83/12AX7	Recording Meter Tube
V46	ECC82/12AU7	Recording Amplifier
V47	ECC82/12AU7	Bias-Erase Oscillator
V48	6X4	Rectifier



NOTE: The tape recorder tube location and function data are provided for convenience. For full servicing information, a separate manual may be obtained on remittance of two dollars. Be sure to include the model and serial number of the instrument when ordering the service manual.

THE EXECUTIVE II • MODEL ST-1000

The Executive II consists of The Executive, Model 1000, with additional facilities for stereophonic phonograph record reproduction. There are no internal wiring changes on any of the chassis, and all the information on the previous pages — except the interconnecting cable diagram — apply to both the Model 1000 and the Model ST-1000.

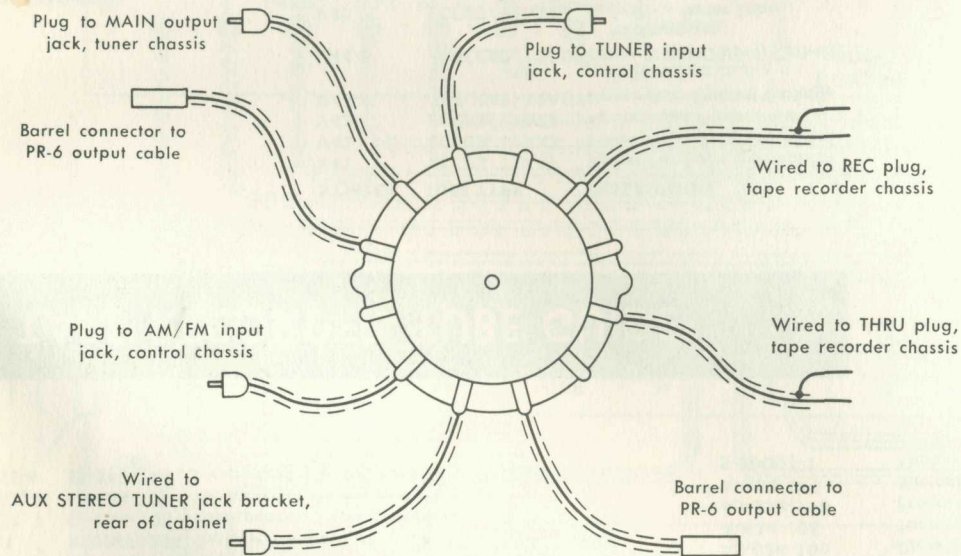
EQUIPMENT

The ST-1000 substitutes a stereophonic phonograph cartridge for the monaural cartridge in the Model 1000. Two Model PR-6 Preamplifiers with RIAA equalization are added, along with a two-position RADIO-PHONO selector switch located to the left of the program clock.

CABLE CHANGES

In the Model ST-1000 there are two signal cables from the rec-

Executive II RADIO-PHONO switch, located to left of program clock. Rear view, showing all cable connections.



ord changer, and these are connected to the input jacks on the PR-6 Preamplifiers. (The switches on the Preamplifiers should be in the PHONO position.) A shorting plug has been inserted in the PHONO jack on the control chassis. The cable formerly connecting MAIN on the tuner chassis to TUNER on the control chassis has been removed. The cable formerly plugged into the FM/AM jack on the control chassis and soldered to the AUX STEREO TUNER jack bracket (rear of cabinet) has also been removed. Eight new connections are made from the new RADIO-PHONO selector switch, and are shown in the diagram below.

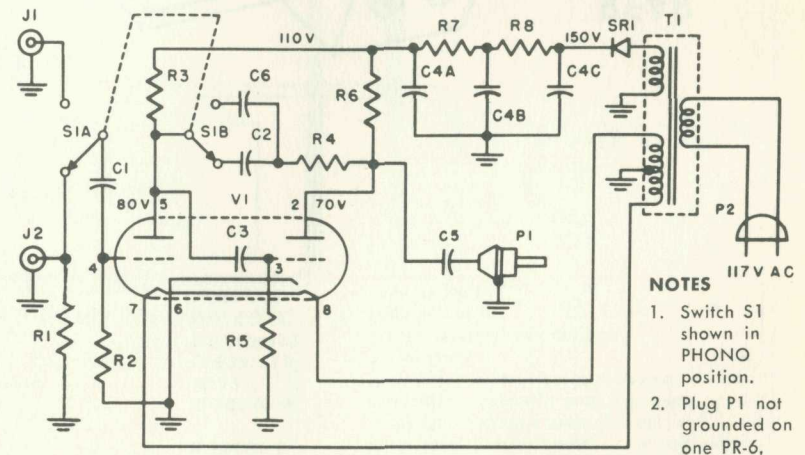
CONVERSION KIT

To convert The Executive into the The Executive II, order kit P-709. This kit is complete, and includes the stereo cartridge, the two preamplifiers, switch (wired), and hardware, plus detailed installation instructions.

PARTS DESCRIPTION LIST, PREAMPLIFIER

SYMBOL	ORDER NO.	DESCRIPTION
C1	C68P473M2	Capacitor, tubular, .047 uf, 200V
C2	C68P272K2	Capacitor, tubular, 2700 uuf, 10%, 200V
C3	C68P472F2	Capacitor, tubular, 4700 uuf, 200V
C4	C-515-122	Capacitor, electrolytic, Triple: C4-A: 15 uf, 150V C4-B: 15 uf, 150V C4-C: 30 uf, 150V
C5	C68P473M2	Capacitor, tubular, .047 uf, 200V
C6	CC26GP102K5	Capacitor, ceramic, 1000 uuf, 10%, 500V
J1, 2	J-1030	Jack, phono
P1	P-1031	Plug, phono
P2	W-515-120	Plug, AC, and line cord
R1	RC20BF682K	Resistor, comp., 6800 ohms, 10%, 1/2 W
R2	RC20BF226K	Resistor, comp., 22 Meg, 10%, 1/2 W
R3	RC20BF683K	Resistor, comp., 68K, 10%, 1/2 W
R4	RC20BF124K	Resistor, comp., 120K, 10%, 1/2 W
R5	RC20BF226K	Resistor, comp., 22 Meg, 10%, 1/2 W
R6	RC20BF104K	Resistor, comp., 100K, 10%, 1/2 W
R7, 8	RC20BF223K	Resistor, comp., 22K, 10%, 1/2 W
S1	S-505-117	Switch, phono-tape
SR1	SR-3180	Rectifier, selenium
T1	T-515-118	Transformer, power
V1	V-65C7	Tube, type 6SC7

PREAMPLIFIER CHASSIS, MODEL PR-6



- NOTES**
1. Switch S1 shown in PHONO position.
 2. Plug P1 not grounded on one PR-6.



FISHER RADIO CORPORATION • LONG ISLAND CITY 1 • NEW YORK