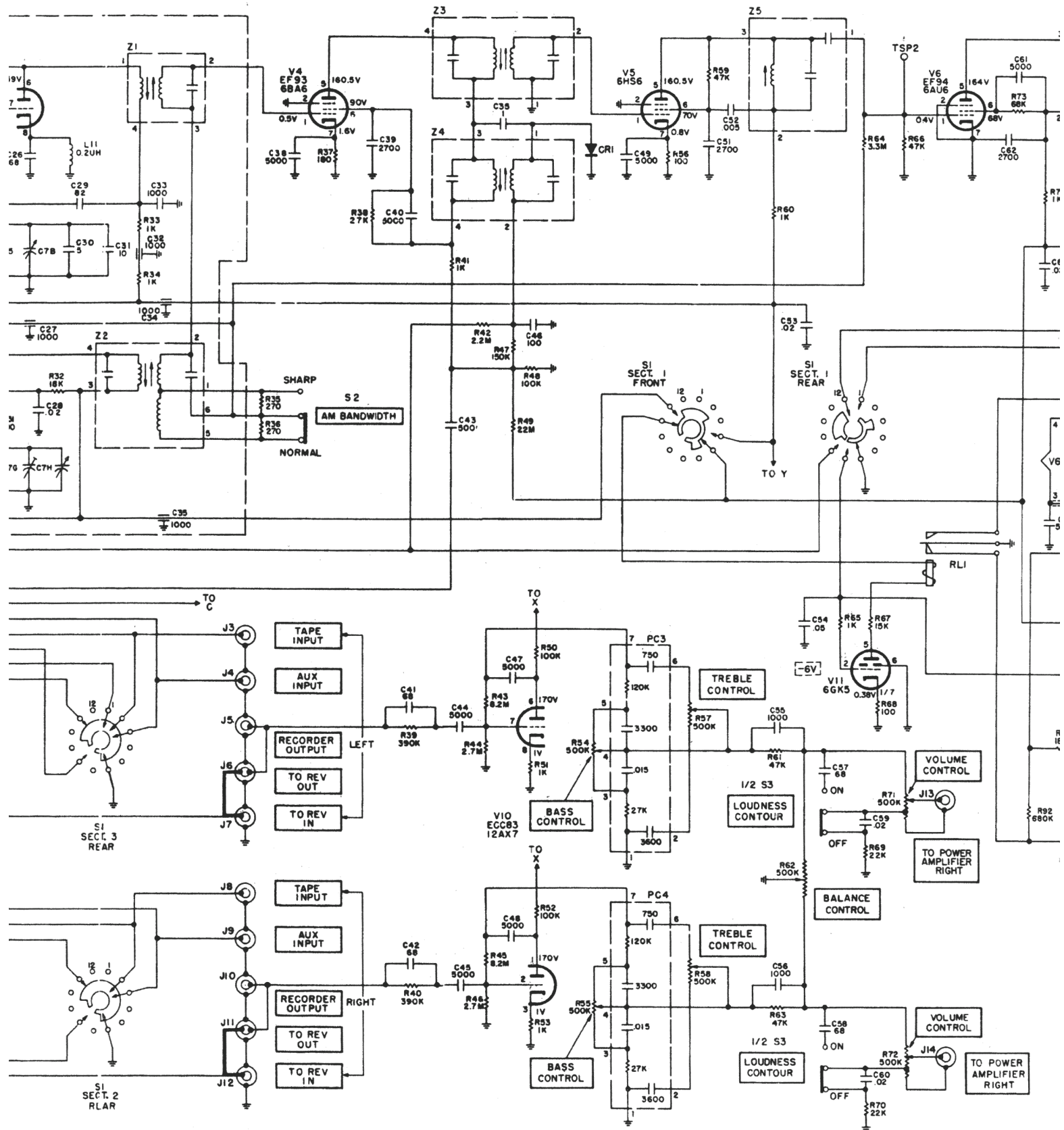
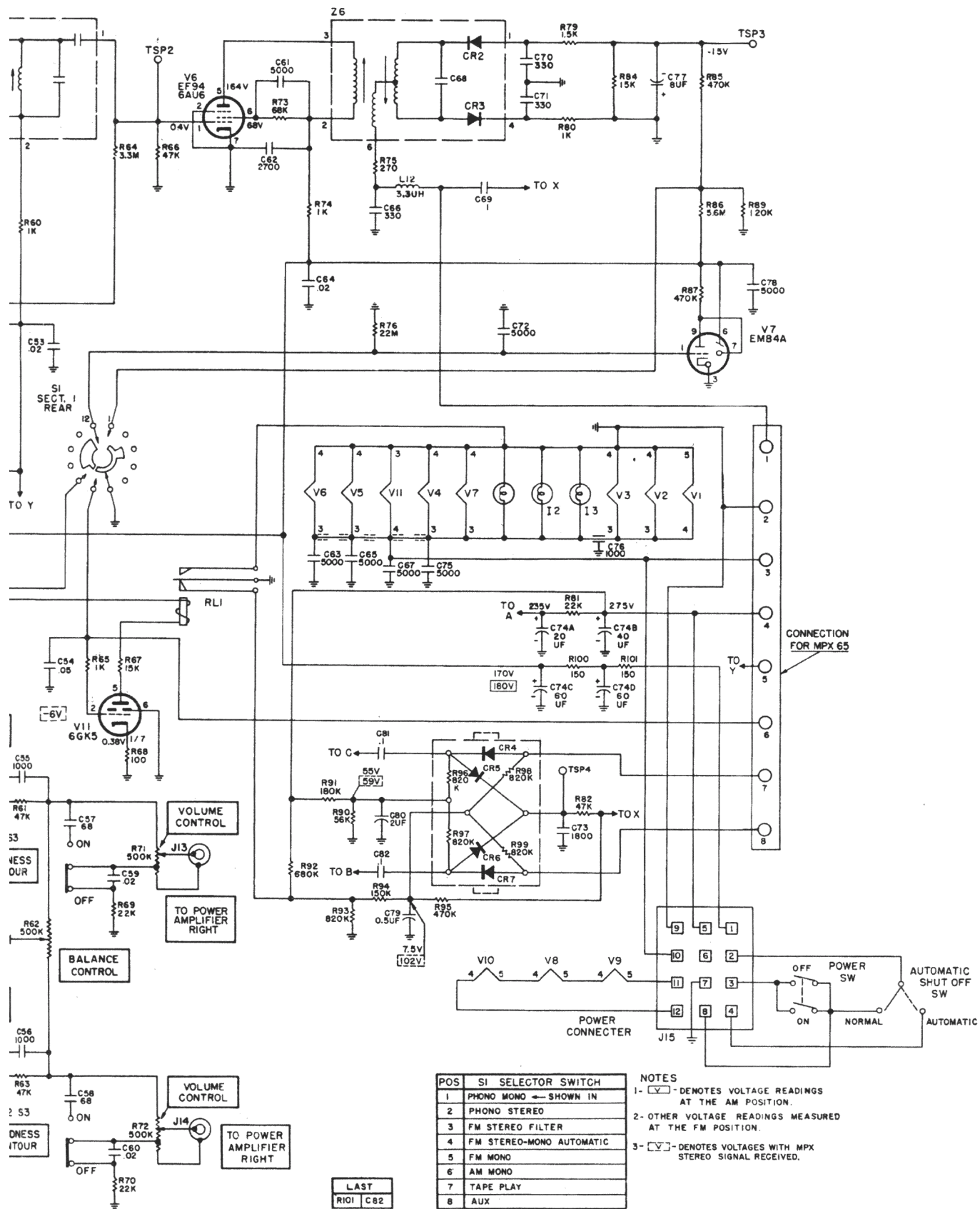


COURTESY OF FISHER RADIO CORP.



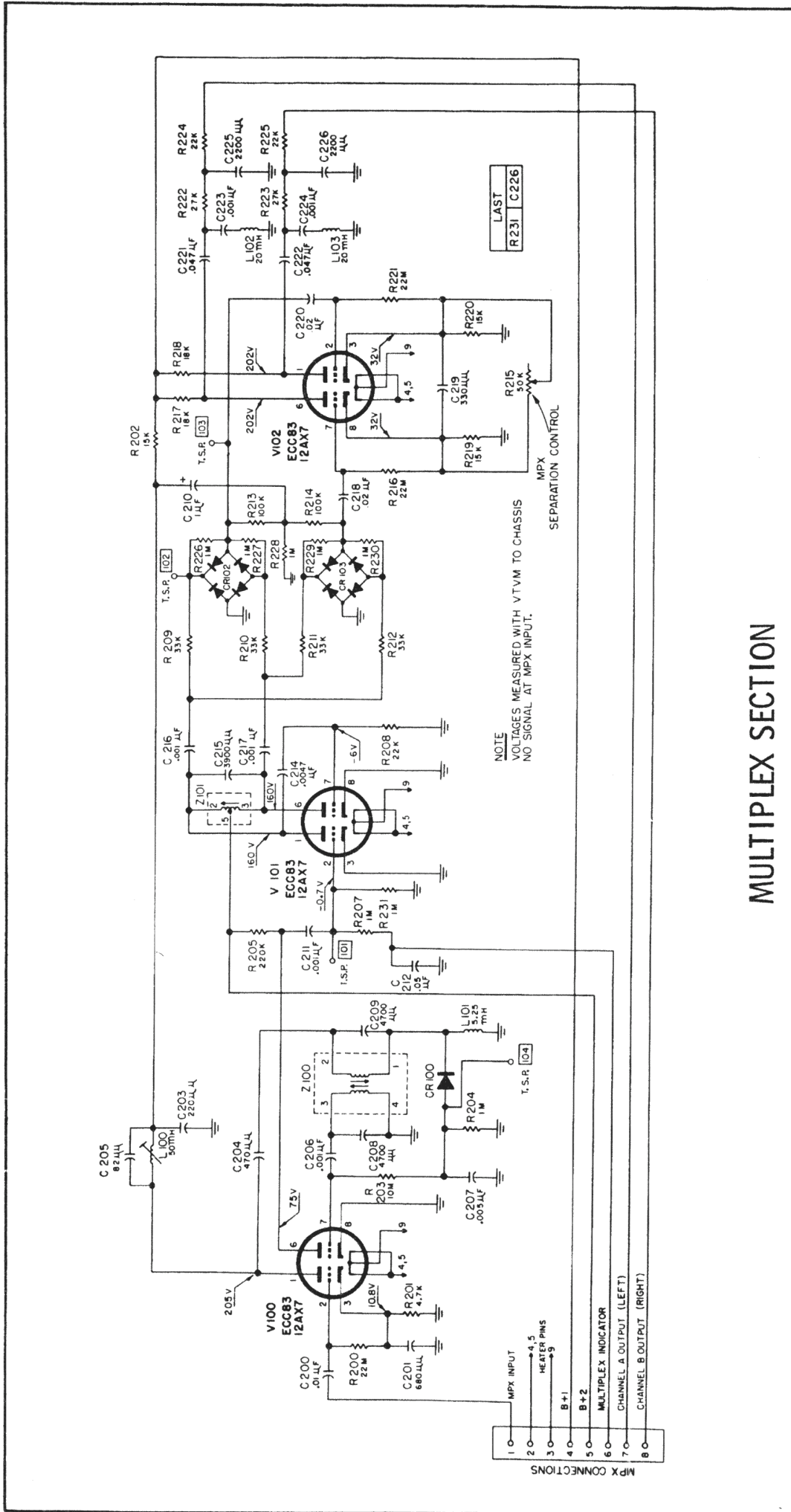
AM-FM TUNER SECTION



POS	SI SELECTOR SWITCH
1	PHONO MONO ← SHOWN IN
2	PHONO STEREO
3	FM STEREO FILTER
4	FM STEREO-MONO AUTOMATIC
5	FM MONO
6	AM MONO
7	TAPE PLAY
8	AUX

NOTES
 1- [∇] - DENOTES VOLTAGE READINGS AT THE AM POSITION.
 2- OTHER VOLTAGE READINGS MEASURED AT THE FM POSITION.
 3- [∇] - DENOTES VOLTAGES WITH MPX STEREO SIGNAL RECEIVED.

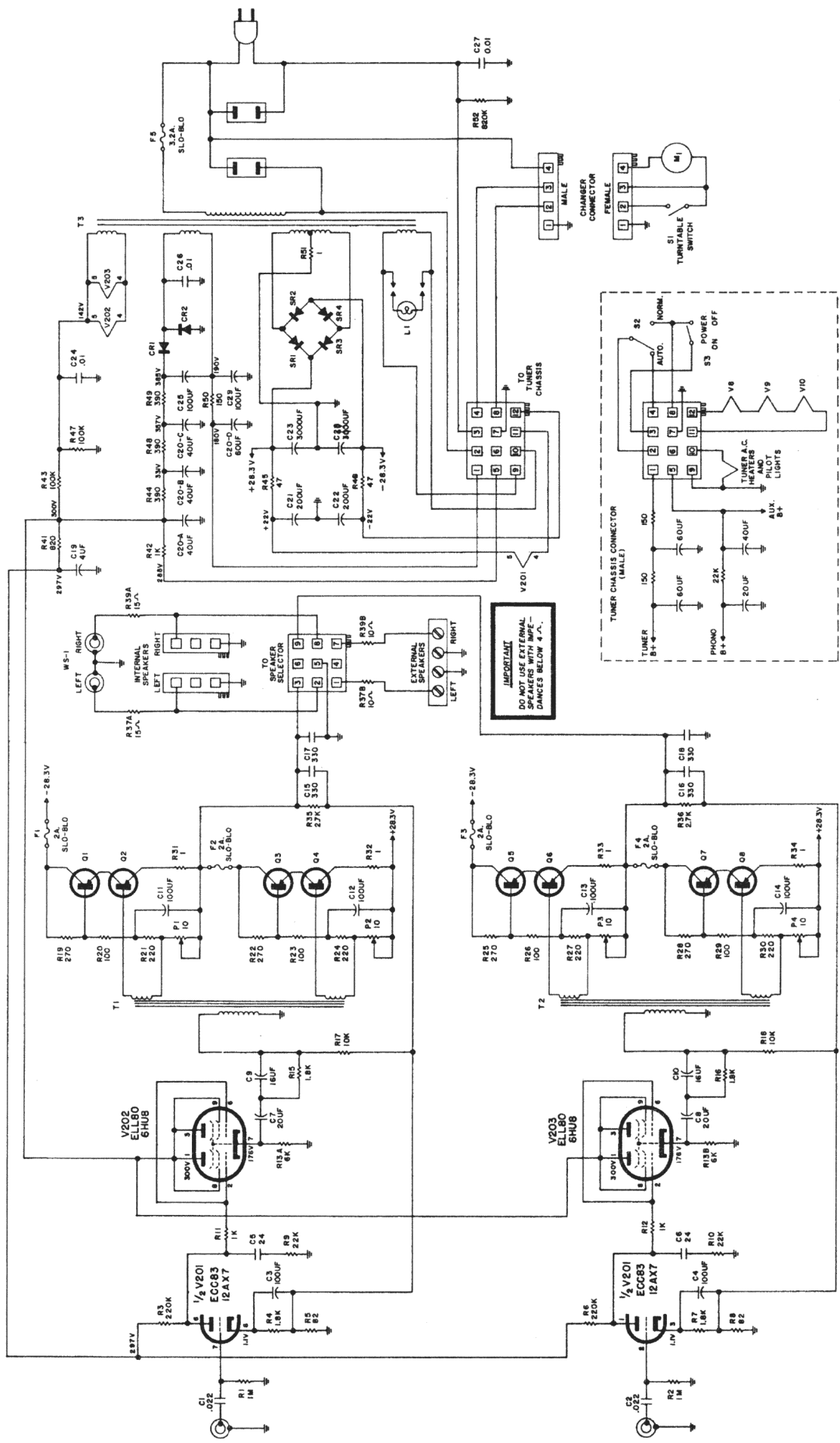
LAST
 R101 C82



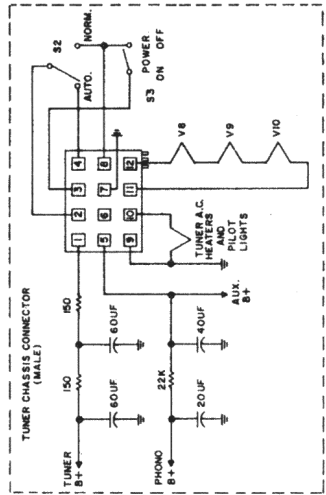
MULTIPLEX SECTION

- MPX CONNECTIONS
- 1 0
 - 2 0
 - 3 0
 - 4 0
 - 5 0
 - 6 0
 - 7 0
 - 8 0
- MPX INPUT → 4,5
 HEATER PINS → 5
 B+1
 B+2
 MULTIPLEX INDICATOR
 CHANNEL A OUTPUT (LEFT)
 CHANNEL B OUTPUT (RIGHT)

LAST
R231 C226



IMPORTANT!
DO NOT USE EXTERNAL
SPEAKERS WITH IMPE-
DANCES BELOW 4 Ω.



AUDIO OUTPUT -POWER SUPPLY SECTION