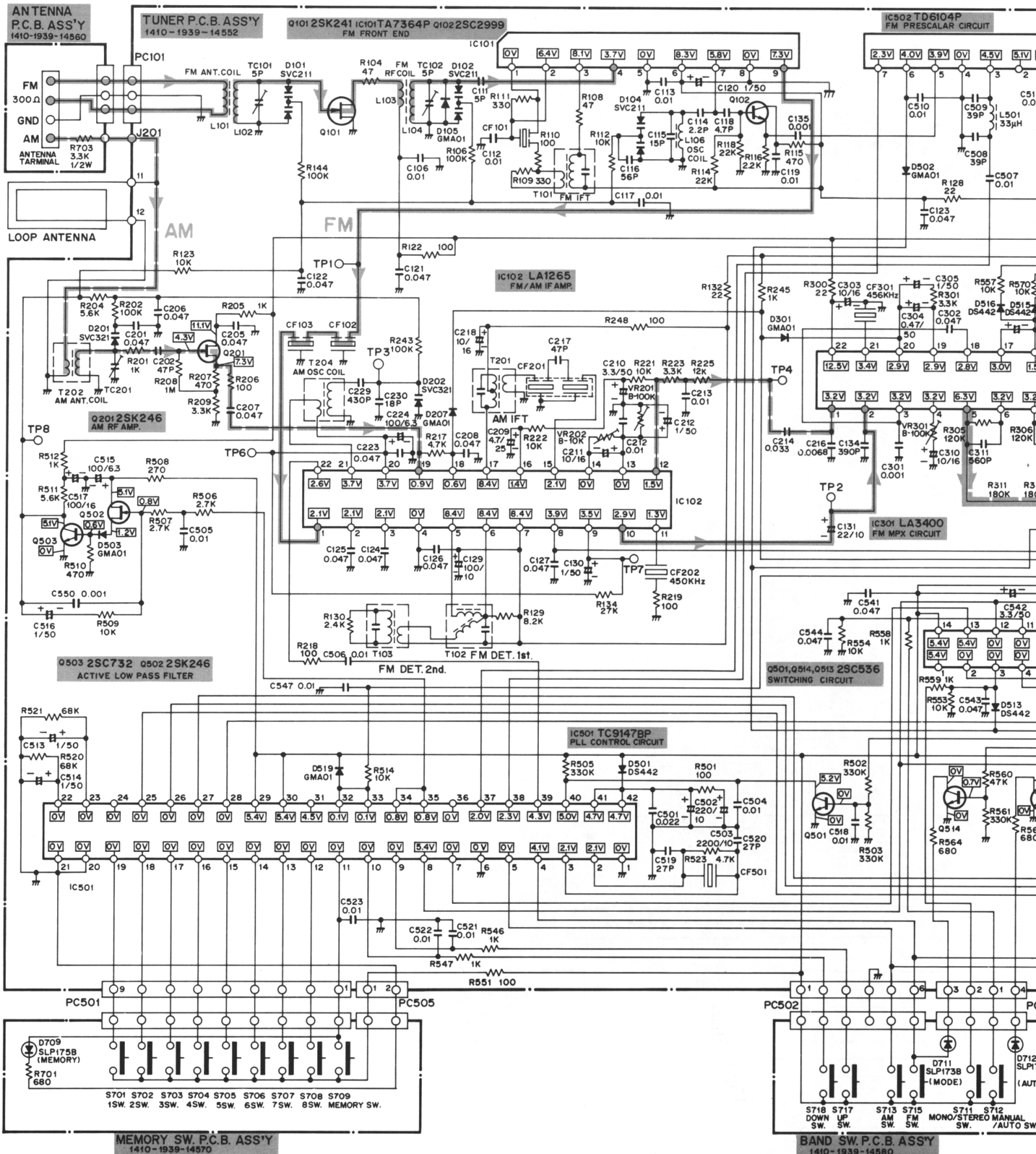


SCHEMATIC DIAGRAM

Fisher FM-860 / FM-864



SCHEMATIC DIAGRAM

