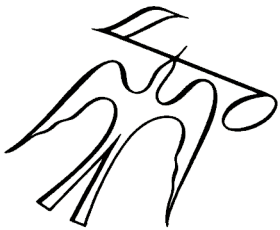


*Stereophonic*

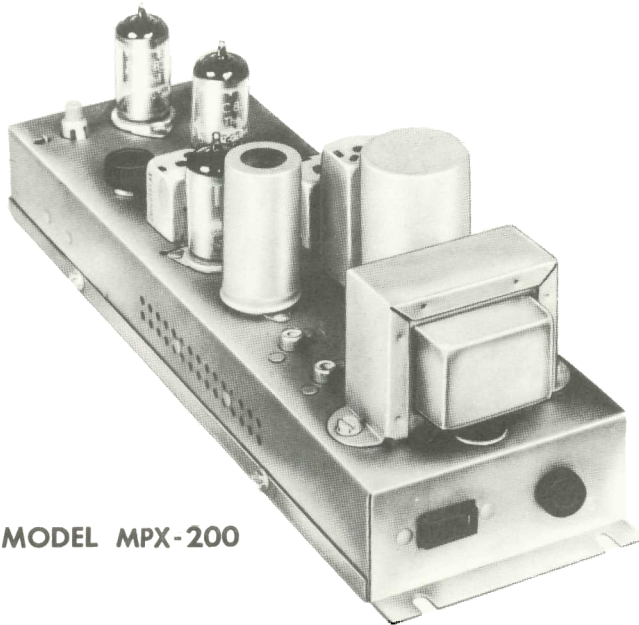
**THE FISHER**



**MPX-200**

**SERVICE**

**MANUAL**



MODEL MPX-200

CHASSIS SERIAL NUMBERS FROM 10001 TO 19999 INCLUSIVE

PRICE: \$1.00

**FISHER RADIO CORPORATION • NEW YORK**

# PARTS DESCRIPTION LIST

## CAPACITORS

10% tolerance for all fixed capacitors, unless otherwise specified or marked GMV (guaranteed minimum value). All capacitors not marked uf are pF (uuf).

Symbol	Description	Part No.
C1	Ceramic, 16, N75, 1000V	C50070-21
C2	Ceramic, 24, 5%, 1000V	C50070-8
C3	Ceramic, .02uf, +80 -- 20%, 500V	C50089-4
C4	Ceramic, 220, 1000V	C50183-3
C5	Mica, 470, 5%, 300V	C50332-4
C6, 7	Mica, 4700, 5%, 500V	C50332-5
C8	Ceramic, 1000, GMV, 500V	C50089-2
C9	Ceramic, .02uf, +80 -- 20%, 500V	C50089-4
C10	Ceramic, 5000, 20%, 500V	C50089-1
C11	Electrolytic, 4 Section: A — 40uf, 300V B — 40uf, 300V C — 40uf, 250V D — 40uf, 250V	C670-125B
C12	Ceramic, 5000, 20%, 500V	C50089-1
C13	Mica, 3900, 5%, 500V	C50332-6
C14	Ceramic, 5000, 20%, 500V	C50089-1
C15	Mylar, 4700, 400V	C50197-25
C16	Electrolytic, 1uf, 350V	C50283-3
C17, 18	Ceramic, 5000, 20%, 500V	C50089-1
C19	Ceramic, 820, 1000V	C50072-7
C20	Ceramic, .02uf +80 -- 20%, 500V	C50089-4
C21	Mylar, .022uf, 400V	C50197-28
C22, 23	Ceramic, 2200, 1000V	C50072-5
C24, 25	Ceramic, 21, 5%, N750, 1000V	C50070-32
C26, 27	Mylar, .047uf, 400V	C50197-30
C28	Mica, 330, 5%, 500V	C50332-7

## RESISTORS

In ohms, 10% tolerance, 1/2 watt unless otherwise noted. K=Kilohms. M=Megohms.

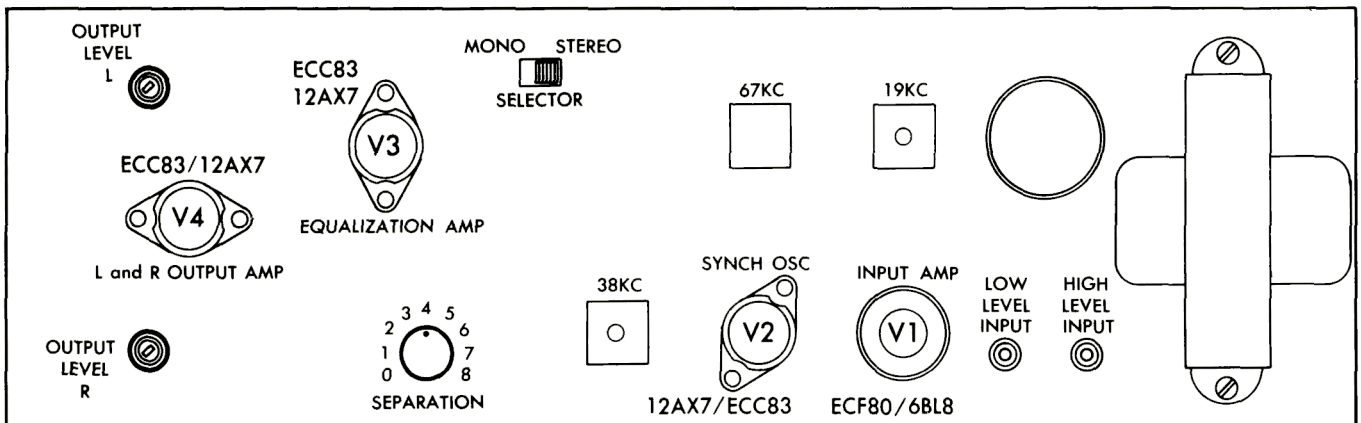
R1	Composition, 22M	RC20BF226K
R2	Dep. Carbon, 4.7M, 5%, 1/3 W	R33DC475J
R3	Composition, 4.7K, 5%	RC20BF472J
R4	Composition, 560	RC20BF561K
R5	Composition, 10M	RC20BF106K
R6	Composition, 820K, 5%	RC20BF824J
R7	Composition, 220K, 5%	RC20BF224J

R8	Potentiometer, Wirewound, 500, Hum Adjust	R50353-1
R9	Composition, 2.2M	RC20BF225K
R10, 11	Composition, 1K	RC20BF102K
R12	Dep. Carbon, 22K, 5%, 1/3 W	R33DC223J
R13	Composition, 2.2K	RC20BF222K
R14, 15, 16, 17	Dep. Carbon, 33K, 5%, 1/3 W	R33DC333J
R18, 19, 20, 21	Dep. Carbon, 1M, 5%, 1/8 W	R12DC105J
R22, 23	Dep. Carbon, 100K, 5%, 1/3 W	R33DC104J
R24	Dep. Carbon, 1M, 5%, 1/3 W	R33DC105J
R25, 26	Dep. Carbon, 100K, 5%, 1/3 W	R33DC104J
R27	Composition 15K, 5%	RC20BF153J
R28	Composition, 27K, 5%	RC20BF273J
R29	Composition, 10M	RC20BF106K
R30	Composition, 6.8K, 5%	RC20BF682J
R31	Composition, 27K, 5%	RC20BF273J
R32	Potentiometer, 50K, Separation Control	R925-114
R33	Composition, 27K, 5%	RC20BF273J
R34	Composition, 10M	RC20BF106K
R35	Composition, 6.8K, 5%	RC20BF682J
R36, 37	Dep. Carbon, 33K, 5%, 1/3 W	R33DC333J
R38, 39	Potentiometer, 500K, Left, Right Output Level	R50103-6
R40, 41	Dep. Carbon, 330K, 5%, 1/3 W	R33DC334J
R42, 43	Dep. Carbon, 100K, 5%, 1/3 W	R33DC104J
R44, 45	Dep. Carbon, 1.5K, 5%, 1/3 W	R33DC152J

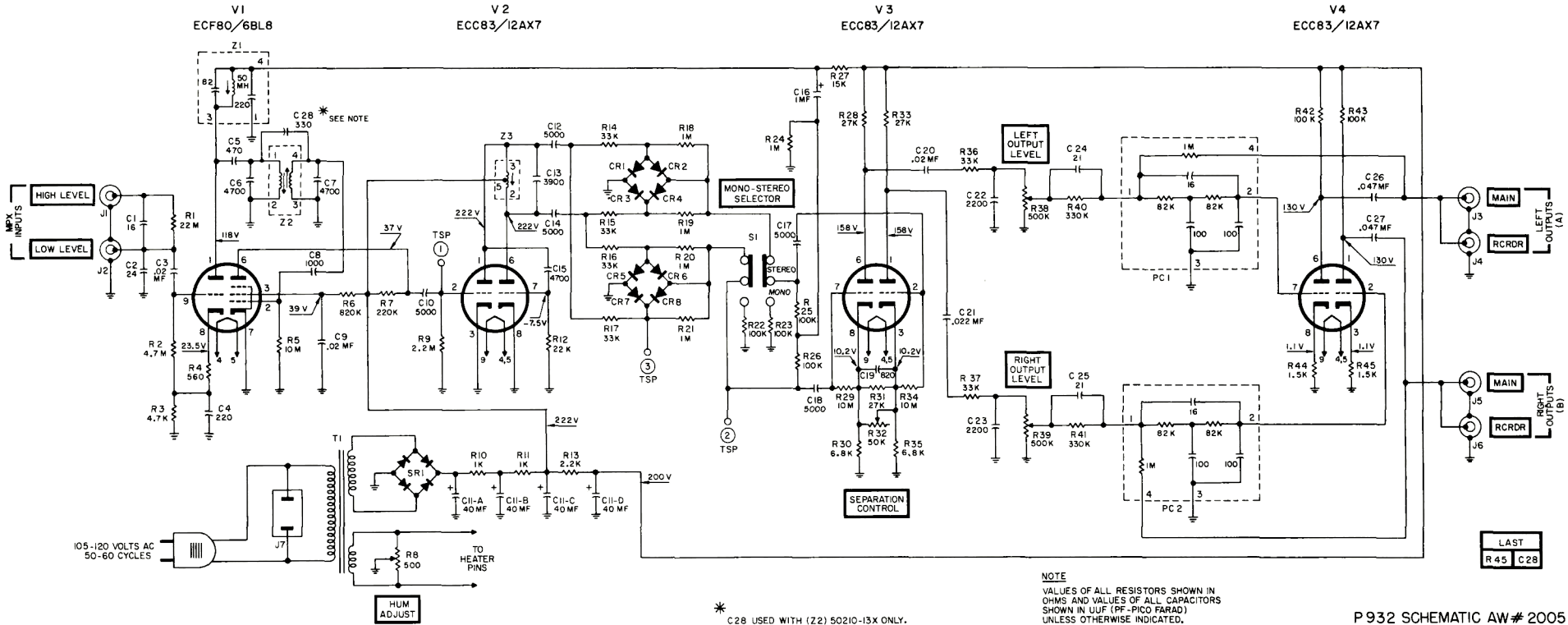
## MISCELLANEOUS

CR1, 2, 3, 4, 5, 6, 7, 8	Silicon Diode, Type 1112	V-1112
PC1, 2	Printed Circuit	PC50187-11
S1	Switch, Mono-Stereo Selector	S50200-2
SR1	Selenium Rectifier, Bridge Type	SR50253-2
T1	Transformer, Power	T932-115
Z1	Coil, Low-Pass	ZZ50210-18
Z2	Transformer, 19KC	ZZ50210-34
Z3	Coil, 38KC	or ZZ50210-13X
—	Tube Shield	ZZ50210-33
—	Knob, Separation Control	E3287
		E925-125

# TUBE LAYOUT



# SCHEMATIC DIAGRAM



# SERVICE NOTES



**FISHER RADIO CORPORATION · NEW YORK**

N932-103

©1961 FISHER RADIO CORPORATION

PRINTED IN U. S. A.

390-W12½C-121