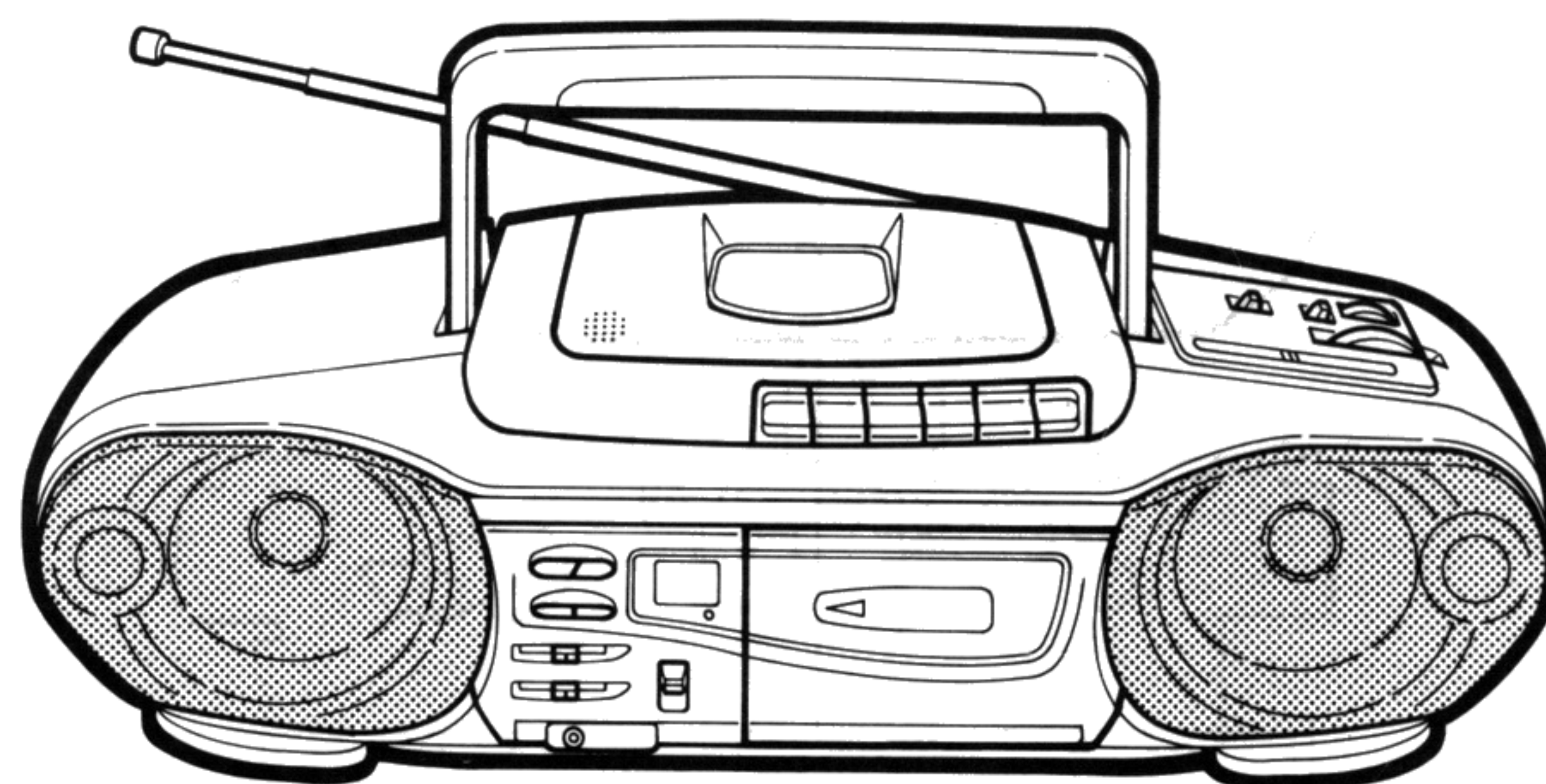




# PHD15

(XE)

## Portable CD Stereo Radio Cassette Recorder



### Specifications

PRODUCT CODE No.  
142 903 54

Recording system .....	AC bias, 4-track stereo
Erasing system .....	Magnet erase,
Tape speed .....	4.75 cm/sec.
Rewind and fast forward time .....	110 sec. (C-60)
Frequency range .....	MW : 526.5- 1,606.5 kHz FM : 87.5 - 108 MHz SW : 5.95 - 18 MHz LW : 148.5 - 283.5 KHz
Antennas .....	Built-in ferrite bar and telescopic rod antennas
<b>CD SECTION</b>	
Channels .....	2 channels
S/N ratio .....	70dB
Sampling frequency ...	44.1KHz
Quantization .....	16 bits linear/ch
Pick-up light source ...	semiconductor laser
Pick;up wave length ..	790nm

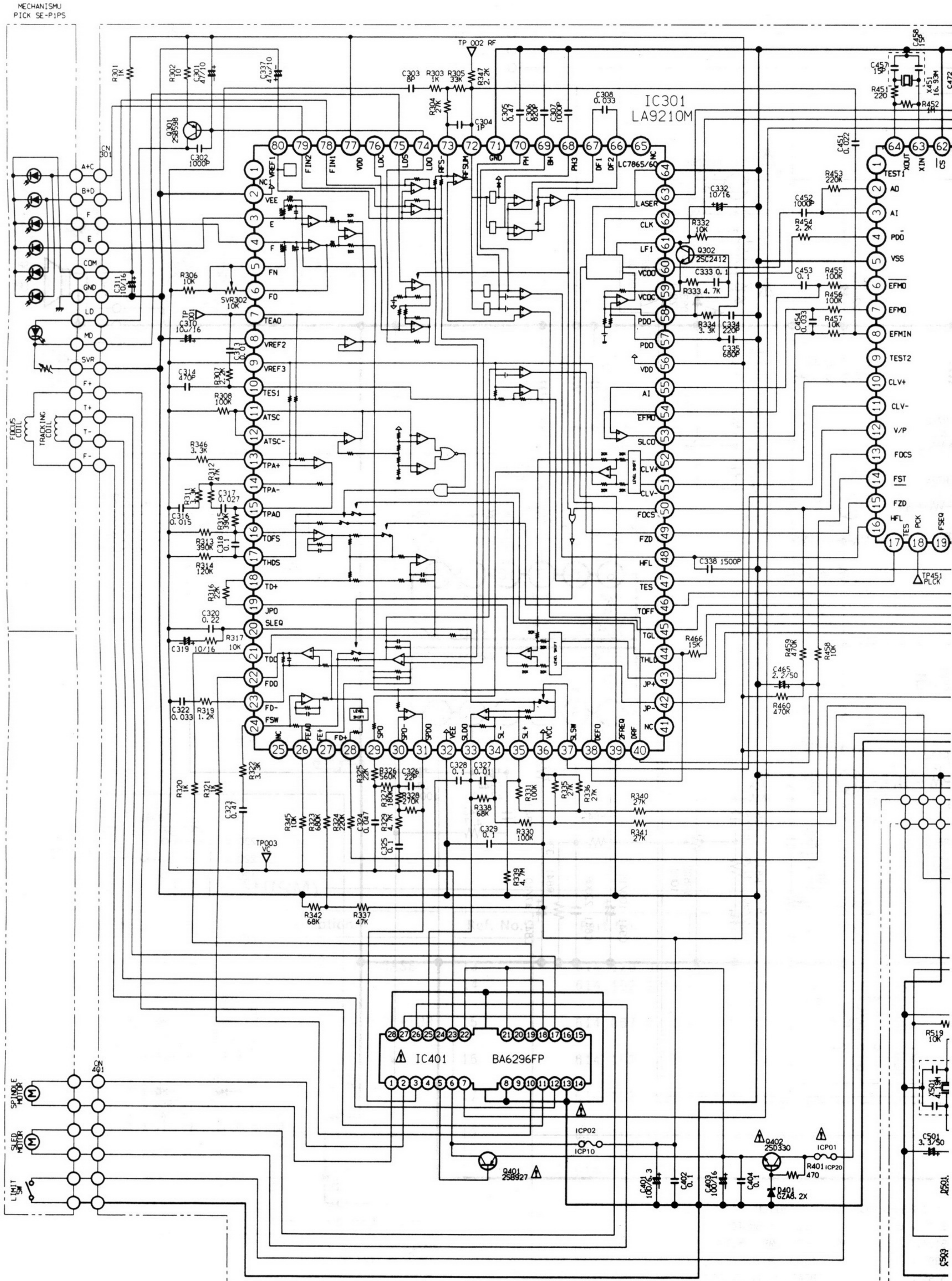
Terminal impedance .....	PHONES : 32 ohms
Frequency response .....	80 - 12,000 Hz
Output power .....	11 W (P.M.P.O.)
Speaker .....	10 cm x 2,4 ohms
Power source .....	AC : 120/220/230V, 50Hz DC : 12V, "SUM-1" x 8
Dimensions (approx.) .....	530 x 160 x 200 mm (W x H x D)
Weight(approx.) .....	4.1 kg including batteries

Specification subject to change without notice.

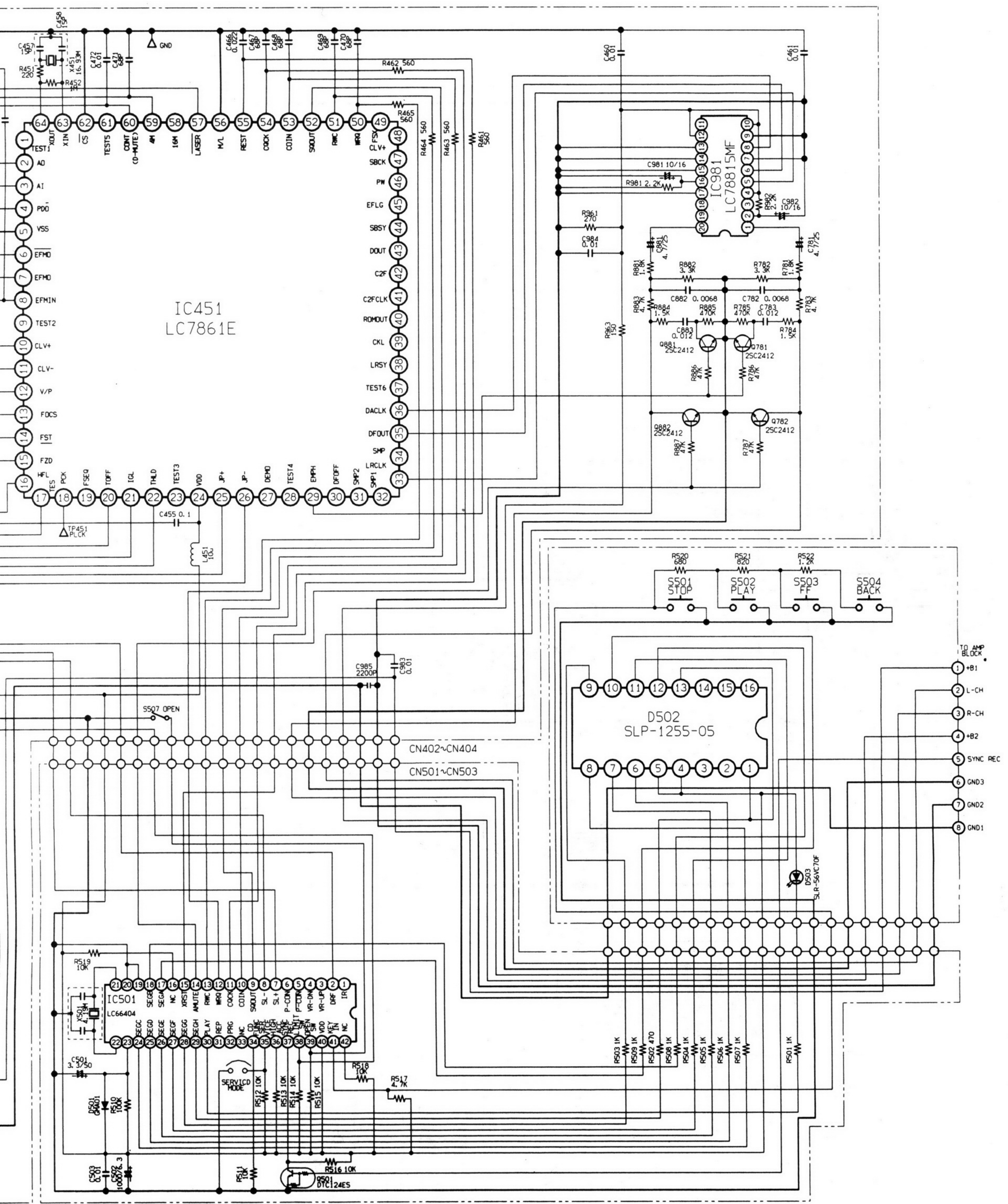
REFERENCE No. SM580020



# SCHEMATIC DIAGRAM (CD)

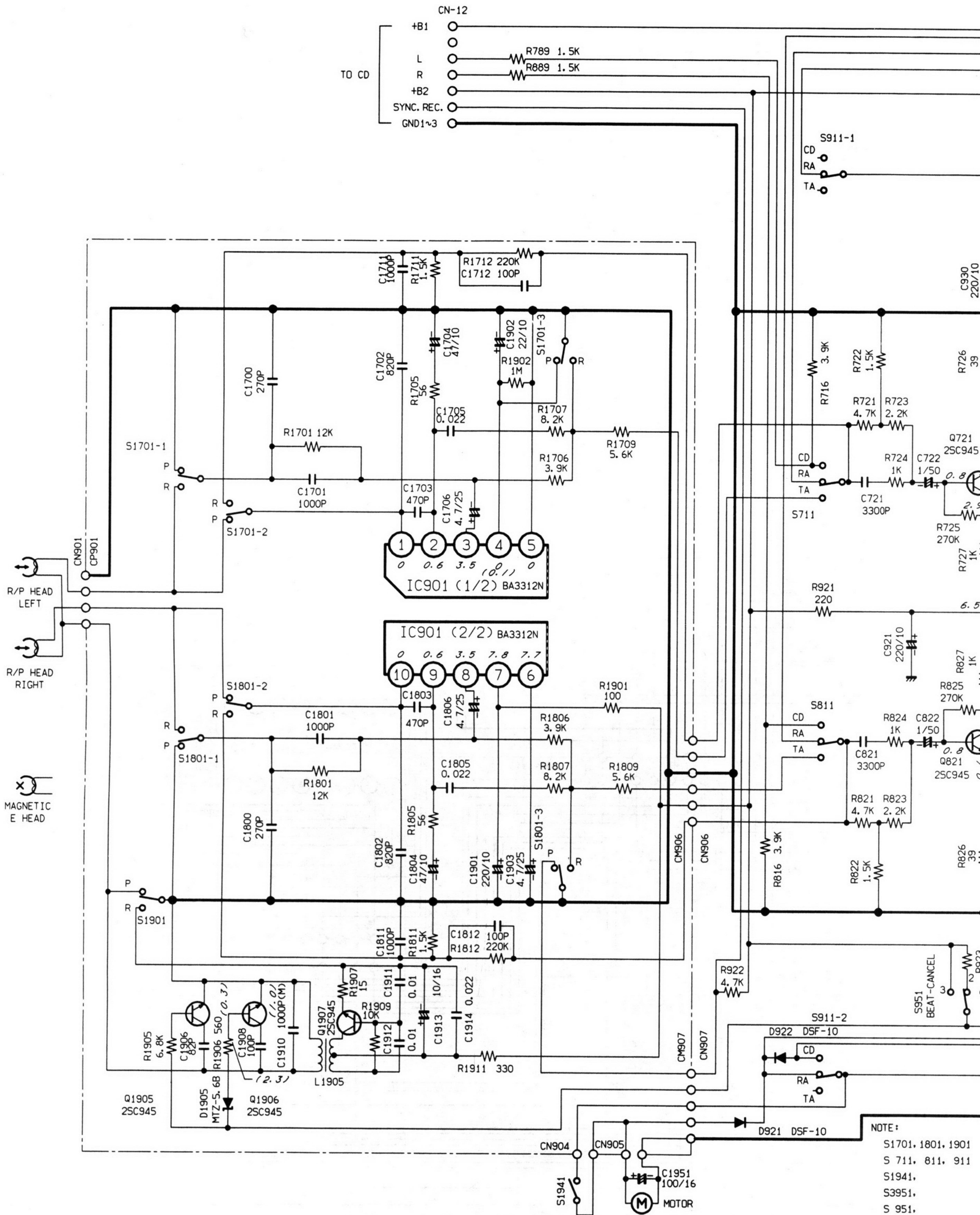






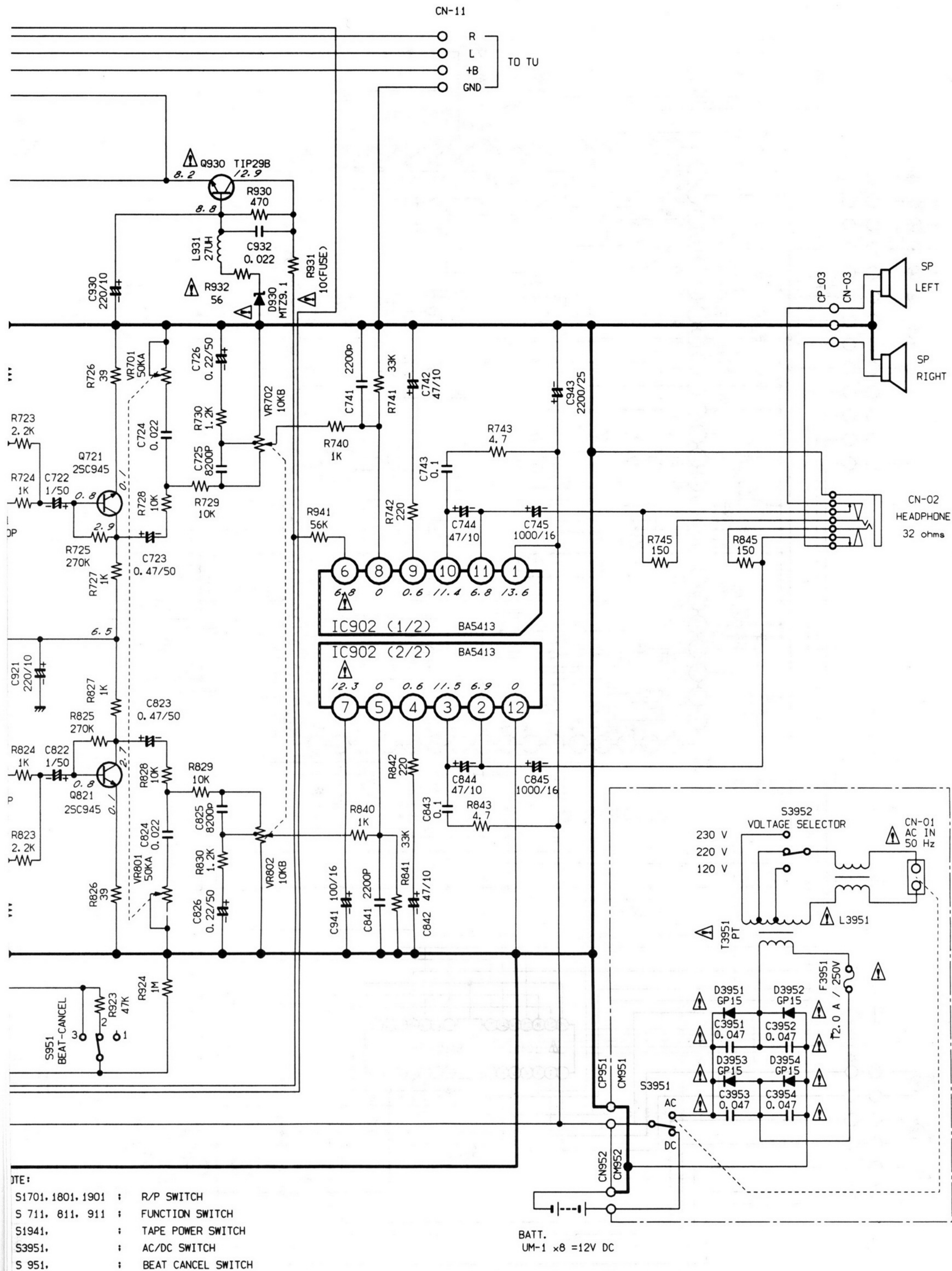


# SCHEMATIC DIAGRAM(AMP)



NOTE:  
 S1701, 1801, 1901  
 S 711, 811, 911  
 S1941,  
 S3951,  
 S 951.





- NOTE:
- S1701, 1801, 1901 : R/P SWITCH
  - S 711, 811, 911 : FUNCTION SWITCH
  - S1941, : TAPE POWER SWITCH
  - S3951, : AC/DC SWITCH
  - S 951, : BEAT CANCEL SWITCH

BATT.  
UM-1 x8 =12V DC