

SERVICE MANUAL



FISHER

STEREO HIGH FIDELITY SYSTEM

PH-W3000K

(EUROPE)



142 516 08

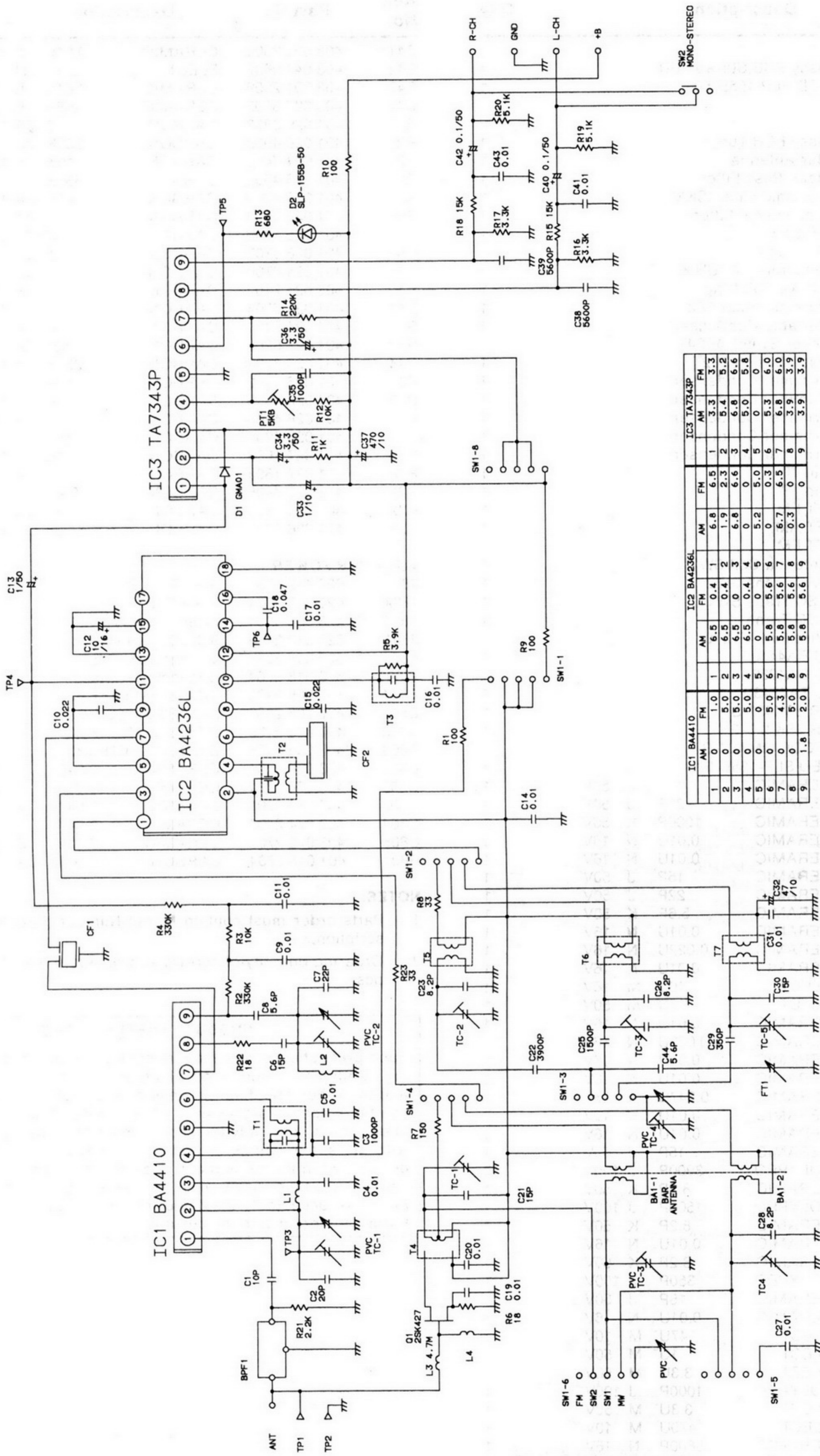
SPECIFICATIONS

Power Source					
AC	120V/220V			
DC	12V			
(UM-1, HP2, D Cell, Monozelle, R20)x8					
Max. Output Power	4.5Wx2			
Power Consumption	24W			
Current Consumption (at Vol. Min.)					
Record mode	210mA			
Playback mode	210mA			
Fast Forward mode	250mA			
Rewind mode	250mA			
Recording System	AC Bias			
Erasing System	AC Erasing			
Tape Speed	1-7/8ips. ±3%			
Wow & Flutter	0.15% (WRMS)			
Torque					
Playback	30 ~ 55g-cm			
Fast Forward/Rewind	55 ~ 120g-cm			
Fast Forward/Rewind Time	120sec. (with C-60)			
Frequency Response (Overall)					
Fe ₂ O ₃	100Hz ~ 12,500Hz			
Erase Ratio (Overall, with Fe ₂ O ₃)	60dB			
Signal to Noise Ratio (with Fe ₂ O ₃)	40dB			
Crosstalk (with Fe ₂ O ₃)					
Track to Track	50dB			
Channel Separation (with Fe ₂ O ₃)	30dB			
Harmonic Distortion (K3/with Fe ₂ O ₃)	3%			
Hum & Noise (at Vol. Min.)	-60dBs			
Oscillation frequency	85kHz			
Output Level and Impedance					
Headphones	32Ω			
Frequency Range					
MW	531 ~ 1,602kHz			
SW ₁	2.3 ~ 7.5MHz			
SW ₂	7.5 ~ 24MHz			
FM	87.5 ~ 108MHz			

— Specifications and design are subject to change without notice. —

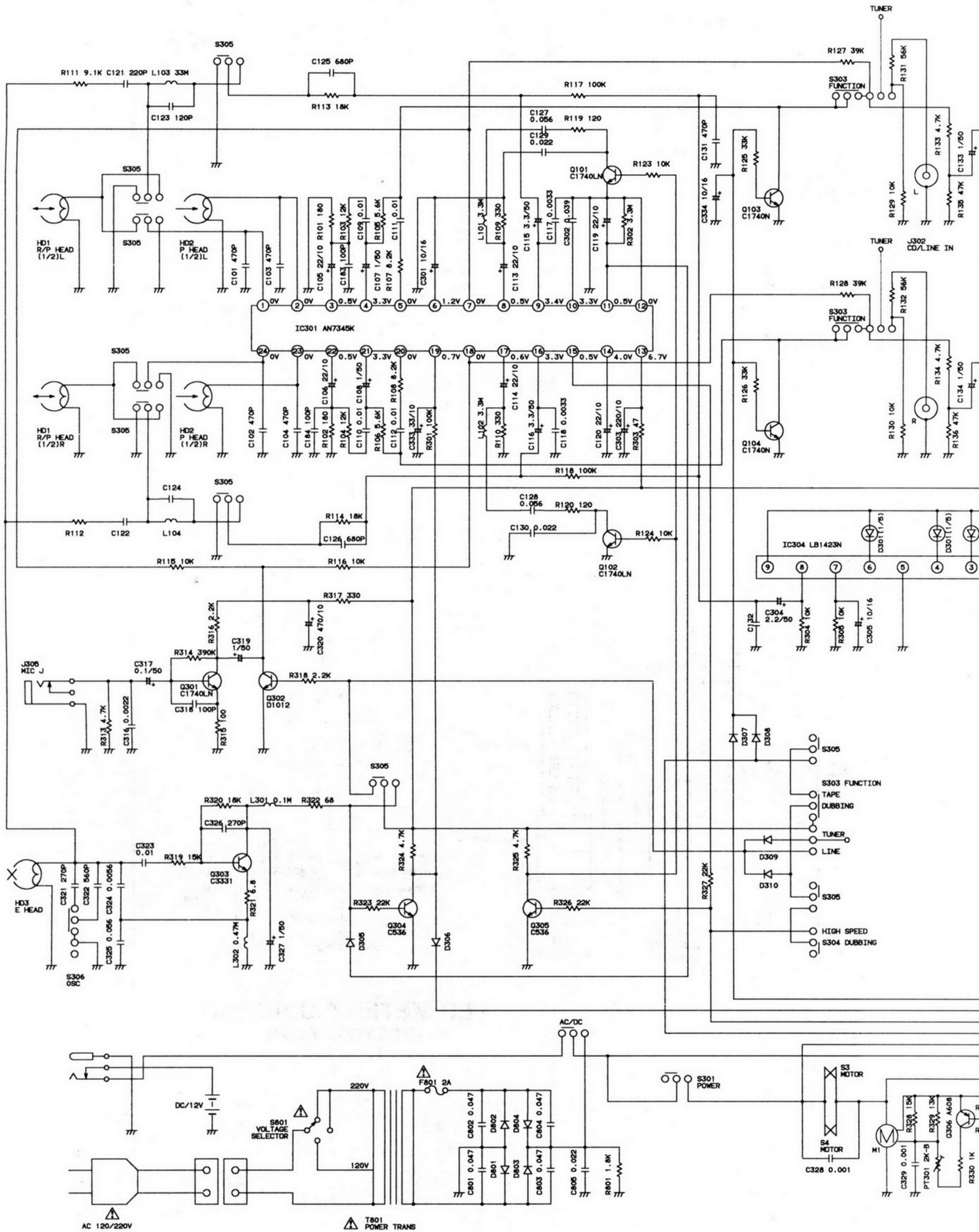
REFERENCE No. WM-570555

SCHEMATIC DIAGRAM (Tuner)



IC1 BA4410		IC2 BA4236L		IC3 TA7343P							
AM	FM	AM	FM	AM	FM						
1	0	1.0	1	6.5	0.4	1	6.8	6.5	1	3.3	3.3
2	0	5.0	2	6.5	0.4	2	1.9	2.3	2	5.4	5.2
3	0	5.0	3	6.5	0	3	6.8	6.6	3	6.8	6.6
4	0	5.0	4	6.5	0.4	4	0	0	4	5.0	5.8
5	0	5.0	5	0	0	5	5.2	5.0	5	0	0
6	0	5.0	6	5.8	5.6	6	0	0.3	6	5.3	6.0
7	0	4.3	7	5.8	5.6	7	6.7	6.5	7	6.8	6.0
8	0	5.0	8	5.8	5.6	8	0.3	0	8	3.9	3.9
9	1.8	2.0	9	5.8	5.6	9	0	0	9	3.9	3.9

SCHEMATIC DIAGRAM (A)



RAM (Amplifier)

