

# SERVICE MANUAL



# FISHER

## STEREO HIGH FIDELITY SYSTEM

# PH-W5000K

( EUROPE )



142 516 10

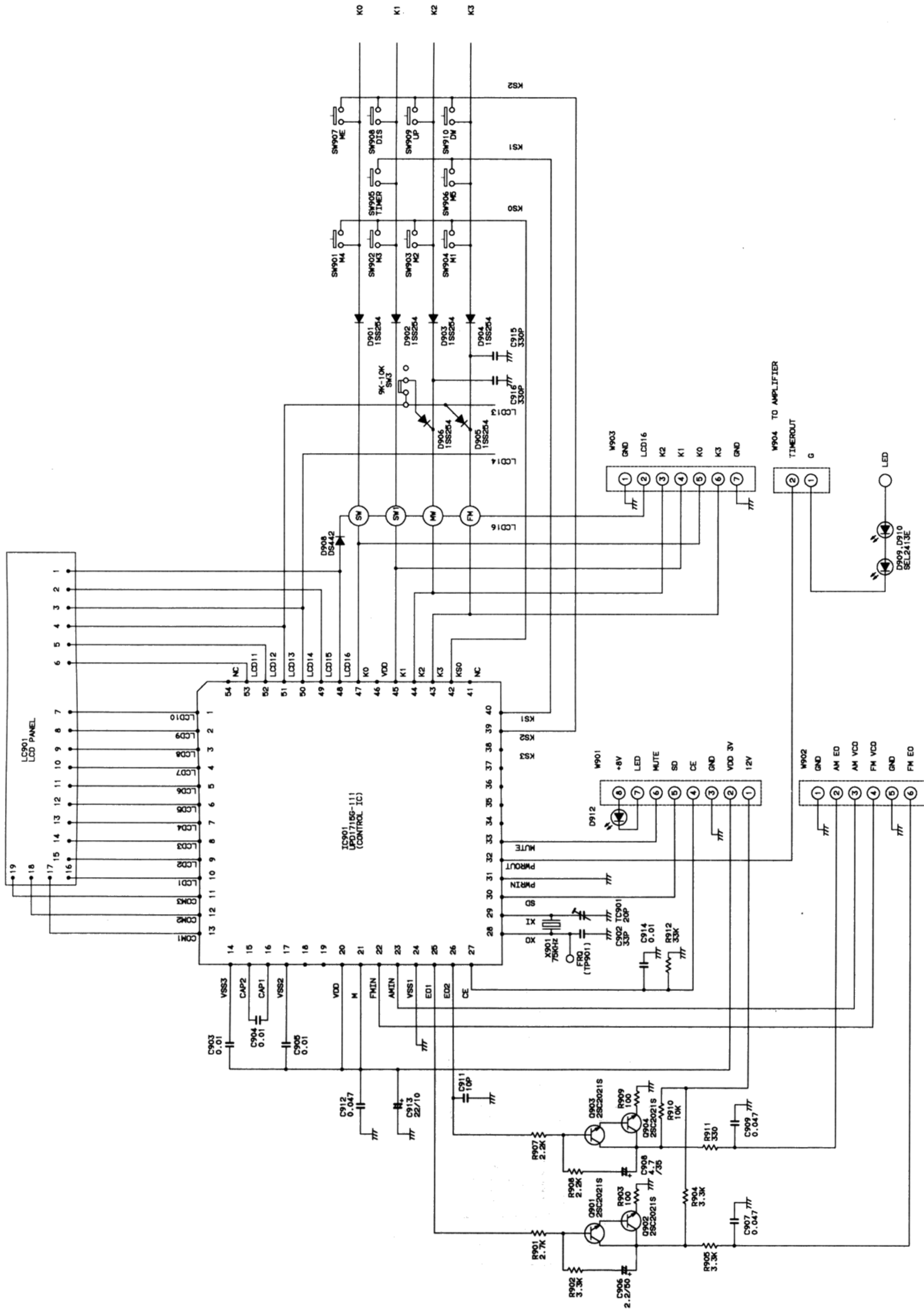
## SPECIFICATIONS

Power Source		Frequency Response (Overall)	
AC .....	120V/220V	Fe <sub>2</sub> O <sub>3</sub> .....	60Hz ~ 13kHz
DC .....	12V	Erase Ratio (Overall, with Fe <sub>2</sub> O <sub>3</sub> ) .....	60dB
(UM-1, HP2, D Cell, Monozelle, R20)x8		Signal to Noise Ratio (with Fe <sub>2</sub> O <sub>3</sub> ) .....	48dB
Max. Output Power .....	5.5Wx2	Crosstalk (with Fe <sub>2</sub> O <sub>3</sub> )	
Power Consumption .....	24W	Track to Track .....	50dB
Current Consumption (at Vol. Min.)		Channel Separation (with Fe <sub>2</sub> O <sub>3</sub> ) .....	30dB
Record mode .....	200mA	Harmonic Distortion (K3/with Fe <sub>2</sub> O <sub>3</sub> ) .....	3%
Playback mode .....	150mA	Hum & Noise (at Vol. Min.) .....	-60dBs
Fast Forward mode .....	160mA	Oscillation frequency .....	85kHz
Rewind mode .....	170mA	Output Level and Impedance	
Recording System .....	AC Bias	Headphones .....	32Ω
Erasing System .....	AC Erasing	Frequency Range	
Tape Speed .....	1-7/8ips. ±3%	FM .....	87.5 ~ 108MHz
Wow & Flutter .....	0.2% (WRMS)	SW <sub>2</sub> .....	9.5 ~ 21.75MHz
Torque		SW <sub>1</sub> .....	3.2 ~ 7.3MHz
Playback .....	30 ~ 55g-cm	MW .....	531 ~ 1,602kHz
Fast Forward/Rewind .....	55 ~ 120g-cm		
Fast Forward/Rewind Time			
Deck1 .....	170sec. (with C-60)		
Deck2 .....	120sec. (with C-60)		

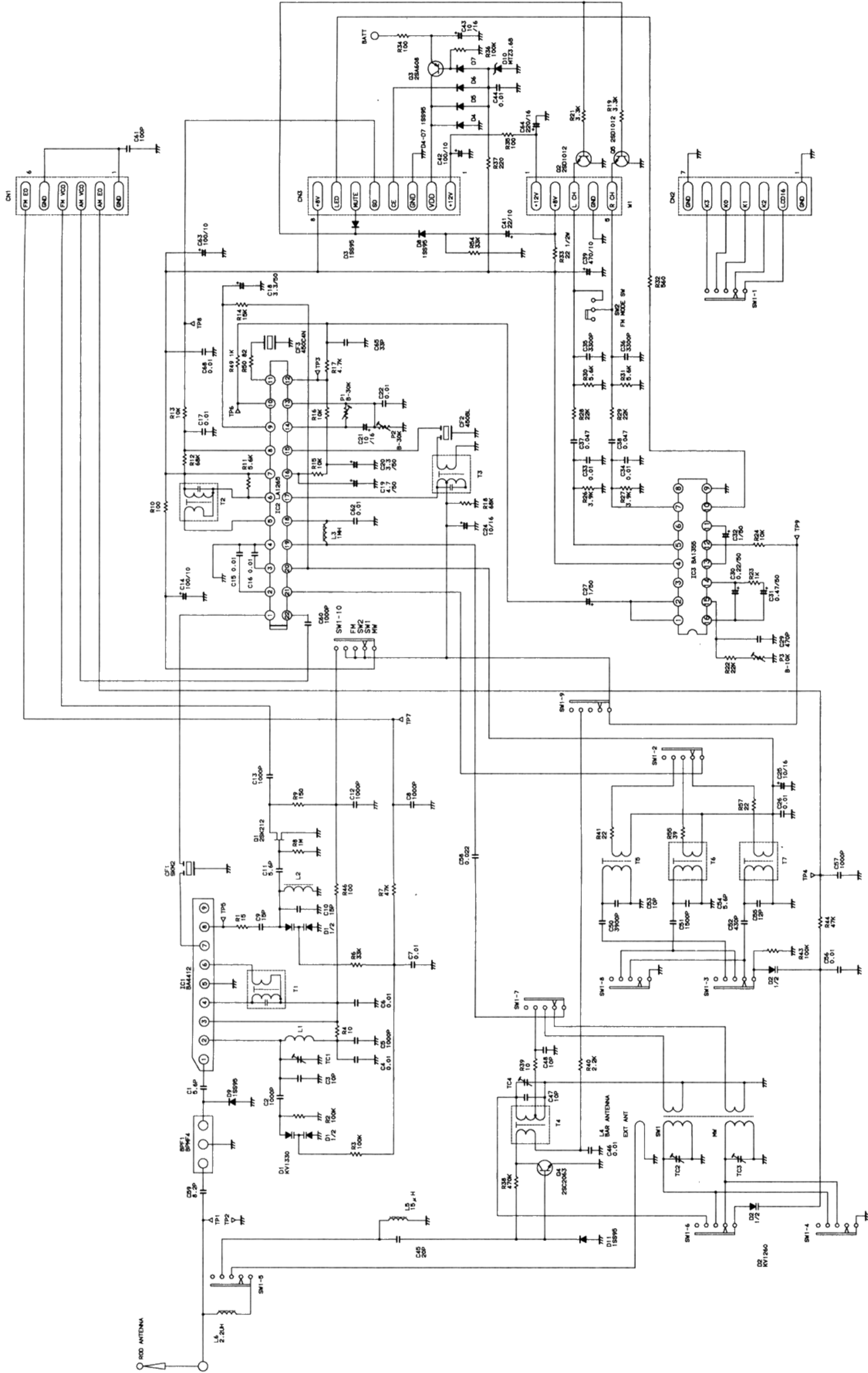
— Specifications and design are subject to change without notice. —

REFERENCE No. WM-570594

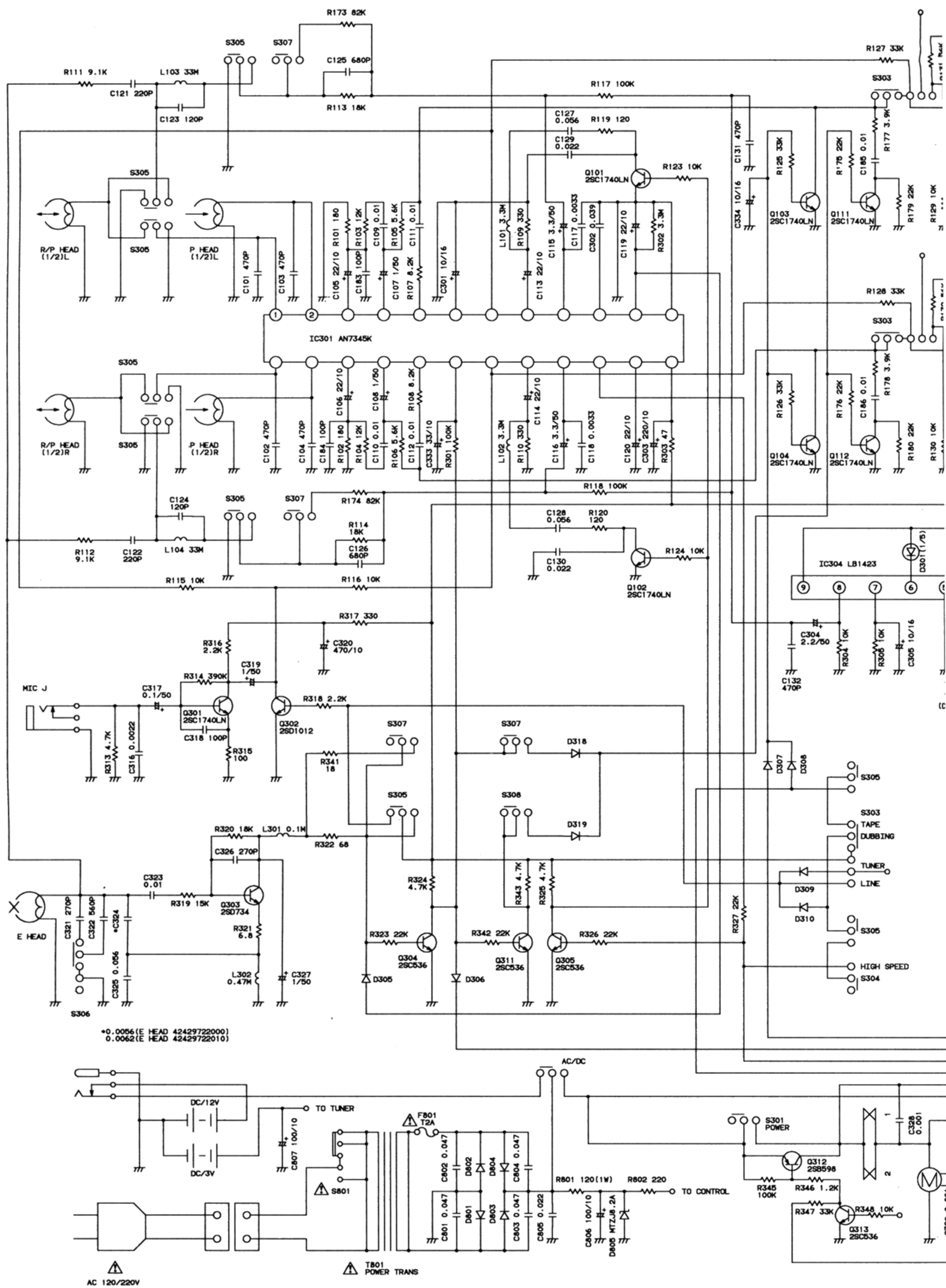
# SCHEMATIC DIAGRAM (Control)



# SCHEMATIC DIAGRAM (Tuner)

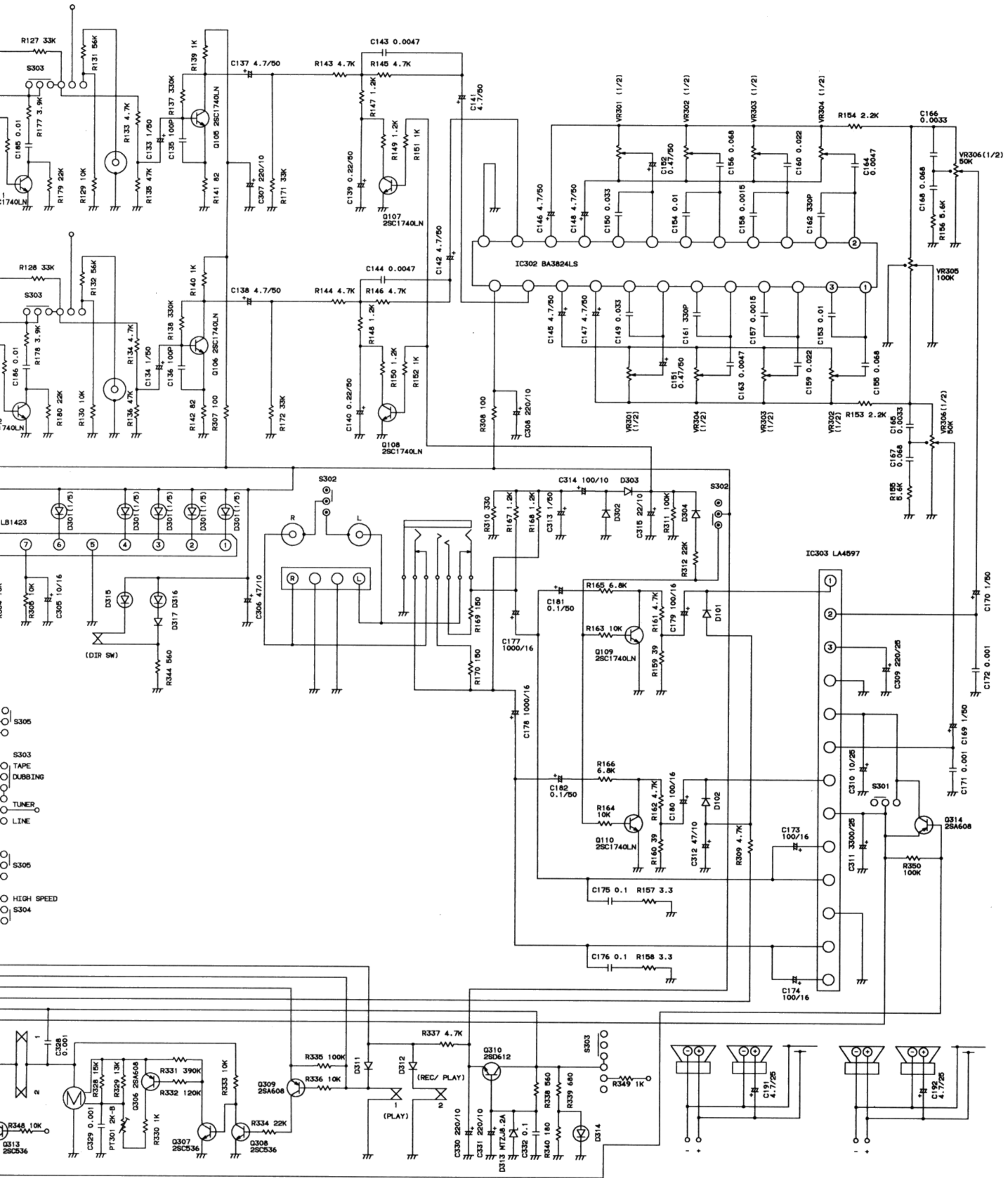


# SCHEMATIC I



\*0.0056 (E HEAD 42429722000)  
0.0062 (E HEAD 42429722010)

# MATIC DIAGRAM (Amplifier)



**NOTES:**

1. All resistors values are indicated in "ohm" ( K = 10<sup>3</sup>, M = 10<sup>6</sup> ).
2. All capacitors values are indicated in "µF" ( P = 10<sup>-12</sup> ).
3. This is a basic schematic diagram.