

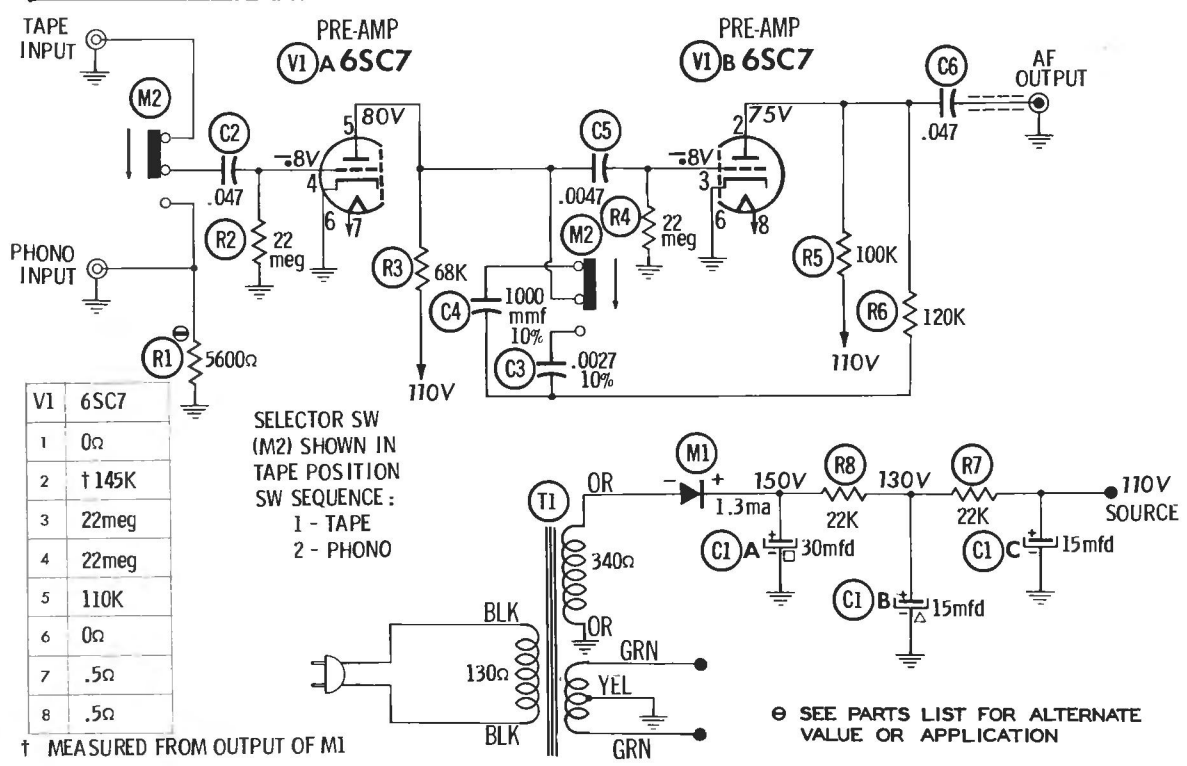


FISHER
MODEL PR-6



FISHER
MODEL PR-6

TRADE NAME	Fisher Model PR-6		
MANUFACTURER	Fisher Radio Corp., 21-21 44th Drive, Long Island City 1, N. Y.		
TYPE SET	AC Operated Preamplifier		
TUBES (One)	Type 6SC7 Preamplifier		
POWER SUPPLY	105-125 Volts AC-50/60 Cycle	RATING	.04 Amp. @117 Volts AC (4 Watts)



A PHOTOFACT STANDARD NOTATION SCHEMATIC

Howard W. Sams & Co., Inc. 1958

HOWARD W. SAMS & CO., INC. • Indianapolis 5, Indiana

The listing of any available replacement part herein does not constitute in any case a recommendation, warranty or guaranty by Howard W. Sams & Co., Inc., as to the quality and suitability of such replacement part. The numbers of these parts have been compiled from information furnished to Howard W. Sams & Co., Inc., by the manufacturers of H394

the particular type of replacement part listed. Reproduction or use, without express permission, of editorial or pictorial content, in any manner, is prohibited. No patent liability is assumed with respect to the use of the information contained herein. © 1958 Howard W. Sams & Co., Inc., Indianapolis 5, Indiana. Printed in U.S. of America

PARTS LIST AND DESCRIPTIONS

TUBES (GENERAL ELECTRIC, SYLVANIA)

ITEM No.	USE	TYPE	NOTES
V1	Preamplifier	85C7	

ELECTROLYTIC CAPACITORS

ITEM No.	RATING		FISHER PART No.	REPLACEMENT DATA				SPRAGUE PART No.	
	CAP.	VOLT.		AEROVOX PART No.	CORNELL-DUBILIER PART No.	MALLORY PART No.	PYRAMID PART No.		SANGAMO PART No.
C1A	50	150	C515-122	AFH3-17-50	C0070	FP311-4	TMT-7	T-035	TVL-3437
C1B	15	150							
C1C	15	150							

FIXED CAPACITORS

Capacity values given in the rating column are in mfd. for Paper Capacitors, and in mmfd. for Mica and Ceramic Capacitors.

ITEM No.	RATING		FISHER PART No.	REPLACEMENT DATA				NOTES	
	CAP.	VOLT.		AEROVOX PART No.	CORNELL-DUBILIER PART No.	ERIE PART No.	MALLORY PART No.		SPRAGUE PART No.
C2	.047	200	C68P473M2	P288N-047	DF-503	CUB2S47	GEM-4147	2TM-S47	10%
C3	0027	200	C68P272K2			1R5D1	ED-1000	MS-21	10%
C4	1000	200	CC26GPI02K5	P288N-0047	D6-472	CUB6D47	GEM-6947	5TM-D47	
C5	.0047	200	C68P472F2	P288N-047	DF-503	CUB2S47	GEM-4147	2TM-S47	
C6	.047	200	C68P473M2	P288N-047	DF-503	CUB2S47	GEM-4147	2TM-S47	

RESISTORS

All wattages 1/2 watt, or less, unless otherwise listed.

ITEM No.	RATING		FISHER PART No.	NOTES
	OHMS	WATT		
R1	5600Ω		RC20BF562K	Note 1
R2	22meg		RC20BF226K	
R3	68K		RC20BF683K	
R4	22meg		RC20BF226K	
R5	100K		RC20BF104K	
R6	120K		RC20BF124K	
R7	22K		RC20BF223K	
R8	22K		RC20BF223K	

Note 1 Chassis with pickering cartridge use 39009 in this application

TRANSFORMER (POWER)

ITEM No.	RATING			REPLACEMENT DATA						
	PRI.	SEC. 1	SEC. 2	FISHER PART No.	Hellmerson PART No.	Merfil PART No.	Ram PART No.	Stancor PART No.	Thornderson PART No.	Triad PART No.
T1	117V @ .04A	115V	6.3VCT @ .300A	T-515-118						

SELENIUM RECTIFIER

ITEM No.	RATING		REPLACEMENT DATA		NOTES
	CURRENT (Measured)	FISHER PART No.	FEDERAL PART No.	SARKES INTERNATIONAL PART No.	
M1	.0013A	SR3180	1159	CR-20	10 Pig Tail Leads

MISCELLANEOUS

ITEM No.	PART NAME	FISHER PART No.	NOTES
M2	Switch	S-505-117	Photo-Tape (Slide Type DPDT)

WIRING DATA

General-use Unshielded Hook-up Wire	Use BELDEN No. 8530 (Solid) Available in Ten Colors
Power Cord	8524 (Stranded) Available in Ten Colors
Low-Loss Shielded Lead (Interconnecting)	Use BELDEN No. 1765-B (6 Ft. Length)
Photo Pick-up Arm Cable	Use BELDEN No. 1725-K (7 1/2 Ft. Length)
	Use BELDEN No. 8401
	Use BELDEN No. 8430 (Two Conductor - Twisted)

CHASSIS - BOTTOM VIEW

