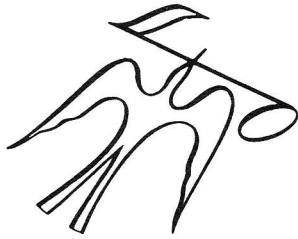
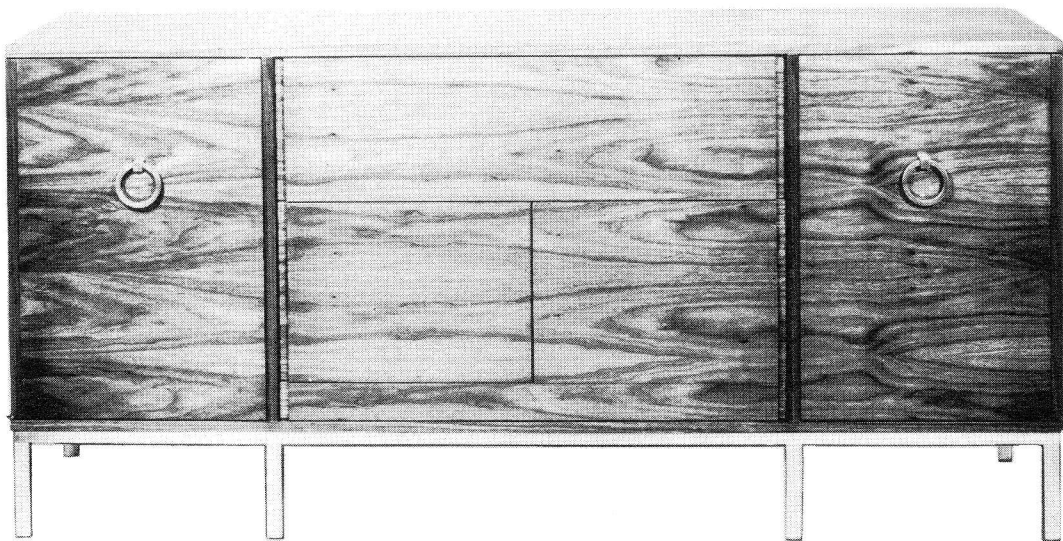


Stereophonic



**THE FISHER
PRESIDENT V
SERVICE
MANUAL**



PRESIDENT V

PRICE: \$1.00

Chas 4000

FISHER RADIO CORPORATION • NEW YORK

Fisher
THE FISHER PRESIDENT V
Fisher

VOLTAGE MEASUREMENTS

FM-AM TUNER-4000R

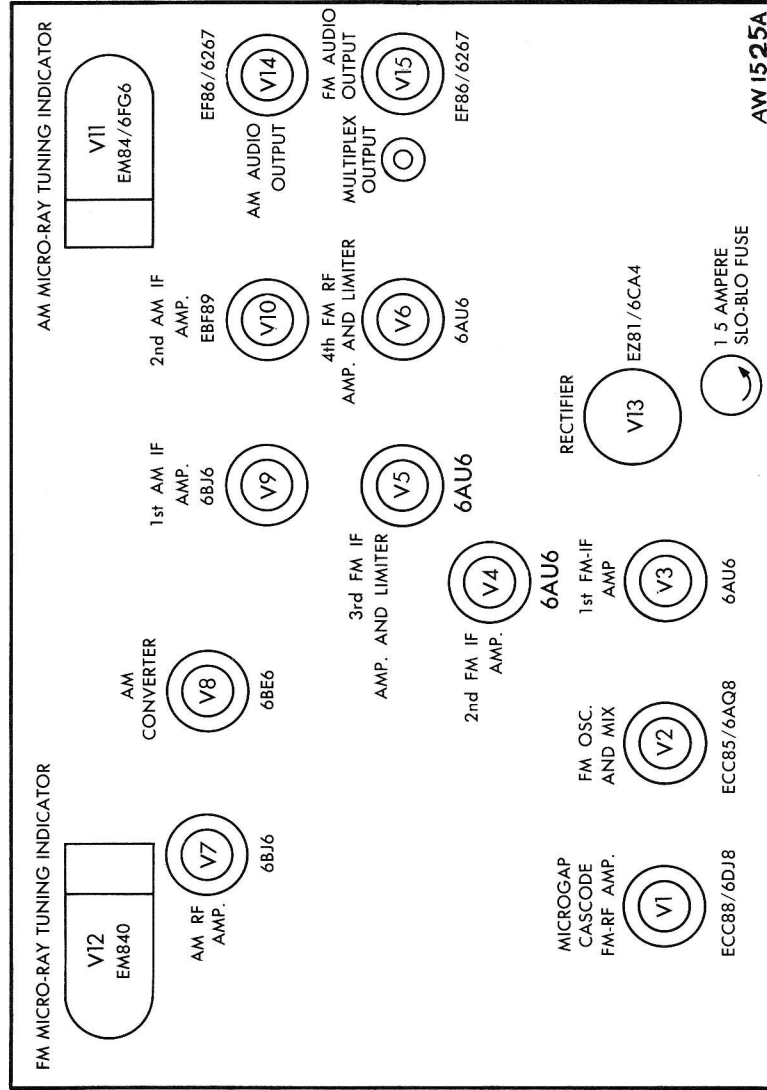
All readings taken with vacuum-tube voltmeter with respect to chassis ground, subject to 10% normal variation unless otherwise noted. Set dial pointer at extreme low end of scale. AM Selector at SHARP, FM Selector at LISTEN. Set line voltage at 117 volts AC, 50-60 cycles. Readings are in DC volts with respect to chassis ground, unless otherwise noted. Use vacuum-tube voltmeter.

SYMBOL	TUBE	TUBE SOCKET PIN NUMBER												
		1	2	3	4	5	6	7	8	9				
V1-ECC88/6DJ8	190	95	96	0	6.3AC	98	-0.3	1.5	0					
V2-ECC85/6AQ8	175	-2.1	0	6.3AC	0	170	-2.7	0	0					
V3-6AU6		-0.3	0	6.3AC	0	205	77	0.5	-					
V4-6AU6		0	0	6.3AC	0	205	70	0.6	-					
V5-6AU6		0.5	0	6.3AC	0	205	76	0	-					
V6-6AU6		6	0	6.3AC	0	205	90	0	-					
V7-6BJ6		-0.1	0.9	6.3AC	0	203	80	0	-					
V8-6BE6		-7.5	0	6.3AC	0	207	90	-0.4	-					
V9-6BJ6		-0.4	0.6	6.3AC	0	205	68	0	-					
V10-EBF89		95	0	2.1	6.3AC	0	200	1.9	-0.1	0				
V11-EM84/6FG6		0.6	NC	2.1	0	6.3AC	209	38	NC	38				
V12-EM840		0.6	NC	0	0	6.3AC	209	46	NC	46				
V13-EF86/6Z67		240AC	NC	290	0	6.3AC	NC	240AC	NC	NC				
V14-EZ81/6CA4		105	1.5	1.5	6.3AC	0	78	1.5	1.5	0				
V15-EF86/6Z67		90	1.5	1.5	6.3AC	0	90	1.5	1.5	0				

ELECTROLYTIC CAPACITOR	TERMINAL VOLTAGE SYMBOL	NOTES	
		AC=AC volts	NC=No Connection
C25	280		
C25	255		
C36	230		
C36	210		
C36	190		

TUBE LAYOUT

FM-AM TUNER-4000R



AW1525A

ALIGNMENT INSTRUCTIONS

Read These Instructions With Extreme Care Before Attempting Alignment.

CHASSIS: Turn the station selectors completely counterclockwise, without forcing. Dial pointers should be at zero index mark on logging scale. If not, reset the dial pointers. Disconnect the external antennas and the antenna link. When using an oscilloscope for alignment, set the output level controls for no overload, as shown by the proper waveform shape.

SIGNAL GENERATORS: The signal generator equipment must be able to supply the following: AM RF modulated 30% at 400 cps, FM RF modulated 30% (± 22.5 KC deviation) at 400 cps, accurately

calibrated 10 KC audio output for adjusting the 10 KC AM whistle filter, AM IF with 30 KC sweep for AM bandwidth adjustment.

INDICATOR: DC VTVM and scope for alignment. AC VTVM for 10 KC AM whistle filter adjustment. **ALIGNMENT:** Allow the chassis and test instruments to warm up for at least fifteen minutes. Adjust the line voltage for 117 volts AC, 50-60 cycles. Use fully insulated tools; a small screwdriver for all capacitors and L17; a K-Tran tool for Z1, Z2, Z3, Z6, Z7, Z8 and Z9; a hex tool for Z4, Z5, L2, L8 and L9.

AM ALIGNMENT

STEPS	CHASSIS		SIGNAL GENERATOR				INDICATOR		ALIGNMENT	
	AM SELECTOR	FM SELECTOR	STATION SELECTOR	COUPLING	FREQ.	MOD.	TYPE	CONNECTION	ADJUST	INDICATION
1	BROAD	FM OFF	Point of no signal and no interference	Audio Gen. connected to Pin 7 of V10	10 KC	None	AC VTVM	to AM Stereo Output	C52	Minimum output
2	SHARP	FM OFF	Point of no signal and no interference	.01-uF cap. in series with hot lead to V8, Pin 7	455 KC	30% AM at 400 cps	DC VTVM	to Pin 1 of V11	Z7, Z8, Z9 top and bottom	Maximum negative voltage
3	BROAD	FM OFF	Point of no signal and no interference	.01-uF cap. in series with hot lead to V8, Pin 7	455 KC	30 KC sweep	Scope	to AM Stereo Output	Z9 top	Adjust slightly for symmetrical curve
4	SHARP	FM OFF	600 KC	220-uF cap. in series with hot lead to antenna terminal 3	600 KC	30% AM at 400 cps	DC VTVM	to Pin 1 of V11	L17, Z6	Maximum negative voltage
5	SHARP	FM OFF	1400 KC	220-uF cap. in series with hot lead to antenna terminal 3	1400 KC	30% AM at 400 cps	DC VTVM	to Pin 1 of V11	C6F, C6D, C6B	Maximum negative voltage

6 Repeat steps 4 and 5 at least once for proper dial calibration and maximum output.

FM ALIGNMENT

7	AM OFF	LISTEN	Point of no signal and no interference	Ungrounded tube shield of V2	10.7 MC	None	DC VTVM	to the junction of R67 and C82	Z1, Z2, Z3 top & bottom & Z4 bottom	Maximum negative voltage
8	AM OFF	LISTEN	Point of no signal and no interference	Ungrounded tube shield of V2	10.7 MC	None	DC VTVM	to C93 negative terminal	Z5 bottom	Maximum negative voltage
9	AM OFF	LISTEN	Point of no signal and no interference	Ungrounded tube shield of V2	10.7 MC	None	Connect two matched 47K resistors across C93. Connect DC VTVM to the junction of the two 47K Res. Ground side of VTVM to the junction of R75 and C87.			Zero reading on zero center scale
10	AM OFF	LISTEN	106 MC	Two 120-ohm carbon resistors in series with lead to antenna terminals 4 and 5	106 MC	30% FM (22.5 KC Dev.) at 400 cps	DC VTVM	to the junction of R67 and C82 and scope to FM Stereo Output	C32	Check for sine waveform and adjust for maximum negative voltage
11	AM OFF	LISTEN	90 MC	Two 120-ohm carbon resistors in series with lead to antenna terminals 4 and 5	90 MC	30% FM (22.5 KC Dev.) at 400 cps	DC VTVM	to the junction of R67 and C82 and scope to FM Stereo Output	L9	Check for sine waveform and adjust for maximum negative voltage
12	AM OFF	LISTEN	106 MC	Two 120-ohm carbon resistors in series with lead to antenna terminals 4 and 5	106 MC	30% FM (22.5 KC Dev.) at 400 cps	DC VTVM	to the junction of R67 and C82 and scope to FM Stereo Output	C3 and C20	Check for sine waveform and adjust for maximum negative voltage
13	AM OFF	LISTEN	90 MC	Two 120-ohm carbon resistors in series with lead to antenna terminals 4 and 5	90 MC	30% FM (22.5 KC Dev.) at 400 cps	DC VTVM	to the junction of R67 and C82 and scope to FM Stereo Output	L2 & L8	Check for sine waveform and adjust for maximum negative voltage

14 Repeat steps 10 through 13 at least once for proper dial calibration and maximum output.

NOTE: For calibrating both the RF and IF, use as low an output voltage as possible from your signal generator.

PARTS DESCRIPTION LIST • FM-AM TUNER-4000R

CAPACITORS

20% tolerance for all fixed capacitors, unless otherwise noted or marked GMV (guaranteed minimum value.)

Symbol	Description	Part No.
C1	Ceramic, 24uuf 5% N150, 1000V	C50070-8
C2	Ceramic, 8uuf ±.5uuf NPO, 500V	CC20CJ080D5
C3	Ceramic Trimmer	C662-123
C4	Ceramic, 10uuf NPO, 500V	CC20CH100G5
C5	Ceramic, 100uuf 10% N1500, 1000V	C50070-6
C6	Variable, AM	C684-127
C7	Variable, FM	C662-113
C8	Ceramic, 100uuf GMV N1500, 1000V	C50070-5
C9	Ceramic, 100uuf 10% N1500, 1000V	C50070-6
C10, 11,	Ceramic, Feedthru, 1000uuf GMV	C592-187
C12		C50089-4
C13	Ceramic, .02uf +80—20%, 500V	C2747
C14	Molded, .01uf, 600V	C592-187
C15	Ceramic, Feedthru, 1000uuf GMV	C50089-4
C16	Ceramic, .02uf +80—20%, 500V	C50089-1
C17	Ceramic, .005uf, 500V	C592-187
C18	Ceramic, Feedthru, 100uuf GMV	C50089-1
C19	Ceramic, .005uf, 500V	C662-123
C20	Ceramic Trimmer	C50077-6N
C21	Ceramic, .68uf, 500V	CC20CJ050D5
C22	Ceramic, 5uuf ±.5uuf NPO, 500V	C50070-6
C23	Ceramic, 100uuf 10% N1500, 100V	CC20CH100G5
C24	Ceramic, 10uuf NPO, 500V	C684-122
C25	Electrolytic, two sections: 40uf, 350V	

C26	Ceramic, Feedthru, 100uuf GMV	C592-187
C27	Ceramic, 68uuf 10% N750, 500V	CC20UJ680K5
C28	Ceramic, 100uuf 10% N1500, 1000V	C50070-6
C29	Ceramic, 100uuf ±.5uuf N220, 500V	CC20RH100D5
C30	Ceramic, 47uuf 10% N750, 1000V	C50070-4
C31	Ceramic, Feedthru, 1000uuf GMV	C592-187
C32	Ceramic Trimmer	C662-123
C33	Ceramic, 24uuf 5% N150, 1000V	C50070-8
C34	Ceramic, 100uuf 10% N1500, 1000V	C50070-6
C35	Ceramic, 100uuf GMV N1500, 1000V	C50070-5
C36	Electrolytic, three sections: 40uf, 300V 20uf, 250V	C684-119

C37	Ceramic, .005uf, 500V	C50089-1
C38	Ceramic, 1000uuf 10%, 1000V	C50072-3
C39	Ceramic, 8uuf ±.25uuf	CC20VK080C5
C40	Ceramic, .02uf +80—20%, 500V	C50089-4
C41	Ceramic, .005uf, 500V	C50089-1
C42	Ceramic, Feedthru, 1000uuf GMV	C592-187
C43	Ceramic, .02uf +80—20%, 500V	C50089-4
C44	Mica, 470uuf 5%, 300V	C3334
C45, 46	Ceramic, .005uf, 500V	C50089-1
C47	Ceramic, .0027uf, 1000V	C50071-5
C48	Mica, 470uuf 5%, 300V	C3334
C49	Ceramic, .005uf, 500V	C50089-1
C50, 51	Molded, .047uf 10%, 250V	C50074-27
C52	Mica, Trimmer, 160uuf-500uuf	C629-151-5
C53	Ceramic, 47uuf 10% N750, 1000V	C50070-4
C54	Ceramic, 560uuf 10%, 1000V	C50072-14
C55	Ceramic, .02uf +80—20%, 500V	C50089-4
C56	Ceramic, .005uf, 500V	C50089-1
C57	Mica, 470uuf 5%, 300V	C3334
C58	Ceramic, .005uf, 500V	C50089-1
C59	Molded, .1uf 10%, 250V	C50074-28
C60	Molded, .1uf 10%, 250V	C50074-28
C61	Electrolytic, 25uf, 6V	C639-114
C62	Ceramic, .0027uf, 1000V	C50071-5
C63	Mica, 470uuf 5%, 300V	C3334
C64	Ceramic, .005uf, 500V	C50089-1
C65	Ceramic, 10uuf NPO, 500V	CC20CH100G5
C66	Ceramic, .02uf +80—20%, 500V	C50089-4

C67	Ceramic, 47uuf 10% N750, 1000V	C50070-4
C68, 69	Ceramic, .005uf, 500V	C50089-1
C70	Ceramic, .0027uf, 1000V	C50071-5
C71	Ceramic, .005uf, 500V	C50089-1
C72	Ceramic, 1uuf P100, 1000V	C50070-1
C73	Ceramic, 220uuf 10%, 500V	CC21GF221K5
C74	Molded, .1uf 10%, 250V	C50074-28
C75	Molded, .047uf 10%, 250V	C50074-27
C76	Electrolytic, 25uf, 6V	C639-114
C77	Ceramic, .005uf, 500V	C50089-1
C78	Ceramic, .0027uf, 1000V	C50071-5
C79	Ceramic, 100uuf GMV N1500, 1000V	C50070-5
C80	Ceramic, .005uf, 500V	C50089-1
C81	Ceramic, 330uuf, 10%, 1000V	C50072-1
C82	Molded, .047uf 10%, 250V	C50089-4
C83	Ceramic, .02uf +80—20%, 500V	C50089-1
C84	Ceramic, .005uf, 500V	C50089-1
C85	Ceramic, 330uuf 10%, 1000V	C50072-1
C86	Ceramic, 24uuf 5% N150, 1000V	C50070-8
C87	Ceramic, .0022uf 10%, 1000V	C50072-5
C88	Ceramic, .02uf +80—20%, 500V	C50089-4
C89	Molded, .01uf 10%, 250V	C50074-25
C90	Molded, .047uf 10%, 250V	C50074-27
C91, 92	Ceramic, 330uuf 10%, 1000V	C50072-1
C93	Electrolytic, 8uf, 50V	C629-138
C94	Ceramic, 100uuf GMV N1500, 100V	C50070-5

RESISTORS AND POTENTIOMETERS

In ohms, 10% tolerance, 1/2 watt, unless otherwise noted. K = kilohm, M = megohm.

Part No.

RC20BF102K	Composition, 1K
RC20BF271K	Composition, 270
RC20BF47K	Composition, 47
RC20BF104K	Composition, 100K
RC20BF185K	Composition, 1.8M
RC20BF122K	Composition, 1.2K
RC20BF475K	Composition, 4.7M
RC20BF101K	Composition, 100
RC20BF334K	Composition, 330K
RC20BF473K	Composition, 47K
RC20BF334K	Composition, 330K
RC20BF102K	Composition, 1K
RC20BF47K	Composition, 47
RC20BF22K	Composition, 2.2K
RC20BF220K	Composition, 22
R684-140	Wirewound, 7.5, 5W
R684-141	Wirewound, 820K
R684-141	Wirewound, 270, 5W
RC20BF223K	Composition, 470K
RC20BF101K	Composition, 22K
R684-141	Wirewound, 270, 5W
RC20BF102K	Composition, 1K
RC20BF22K	Composition, 2.2K
RC20BF220K	Composition, 22
R684-140	Wirewound, 7.5, 5W
RC20BF24K	Composition, 820K
RC20BF474K	Composition, 470K
RC20BF223K	Composition, 22K
RC20BF101K	Composition, 100
R684-141	Wirewound, 270, 5W
RC20BF102K	Composition, 1K
R684-141	Wirewound, 270, 5W
RC20BF102K	Composition, 1K
RC20BF22K	Composition, 2.2K
RC20BF220K	Composition, 22
RC20BF22K	Composition, 2.2K
RC20BF102K	Composition, 1K
RC20BF101K	Composition, 100
RC20BF101K	Composition, 1K
RC20BF102K	Composition, 1K
RC20BF23K	Composition, 82K
RC20BF473K	Composition, 47K
R520-139	Potentiometer, 500K 20%
RC20BF102K	Composition, 1K
RC20BF101K	Composition, 100
RC20BF334K	Composition, 330K
RC20BF25K	Composition, 5.6K
RC20BF105K	Composition, 2.2M
RC20BF23K	Composition, 1M
RC20BF102K	Composition, 82K
RC20BF473K	Composition, 1K
RC20BF561K	Composition, 560

R43	Composition, 120
R44	Composition, 150K
R45	Composition, 82K
R46	Composition, 1K
R47	Composition, 2.2M
R48	Composition, 1.8M
R49	Composition, 820K
R50	Composition, 1.8M
R51	Composition, 120K
R52	Composition, 47K
R53	Composition, 1K
R54	Composition, 3.3M
R55, 56	Composition, 56K
R57	Composition, 22K
R58	Composition, 330K
R59	Composition, 330K
R60, 61	Composition, 470K
R62	Composition, 22K
R63	Composition, 10M
R64	Composition, 39K
R65	Composition, 560
R66	Composition, 2.2M
R67	Composition, 330K
R68	Composition, 1.8M
R69	Composition, 1M
R70	Composition, 1K
R71	Composition, 470K
R72	Composition, 330K
R73	Composition, 270
R74	Composition, 33K
R75	Composition, 1K
R76	Composition, 22K
R77	Potentiometer, 500K 20%
R78	Composition, 15K
R79	Composition, 1.5K
R80	Composition, 1.5K

COILS, TRANSFORMERS, CHOKES

Order No.

L50066-8	Choke, RF 3.3 Micro Henries
L662-124	Coil, Tuned, FM Antenna
L721-139	Coil, AM Antenna
L50066-3	Choke, RF 1.2 Micro Henries
L50066-19	Choke, RF .56 Micro Henries
L629-180	Choke, RF
L662-125	Coil, Tuned, FM-RF
L662-126	Coil, Tuned, FM Oscillator
L50066-3	Choke, RF 1.2 Micro Henries
L592-189	Choke, Ferrite Bead, Filament
L50066-3	Choke, RF 1.2 Micro Henries
L50066-19	Choke, RF .56 Micro Henries
L50066-3	Choke, RF 1.2 Micro Henries
L550-122	Coil, AM Oscillator
L592-189	Choke, Ferrite Bead, Filament
L644-150	Coil, 10K Filter
L721-136	Loop, AM
T684-124	T1 Transformer, Power
ZZ662-117	T1 Transformer, FM-IF
ZZ629-142	T2, 3 Transformer, FM-IF
L670-145	Coil, FM Limiter
ZZ592-170	Transformer, FM Detector
L670-151	Transformer, AM-RF

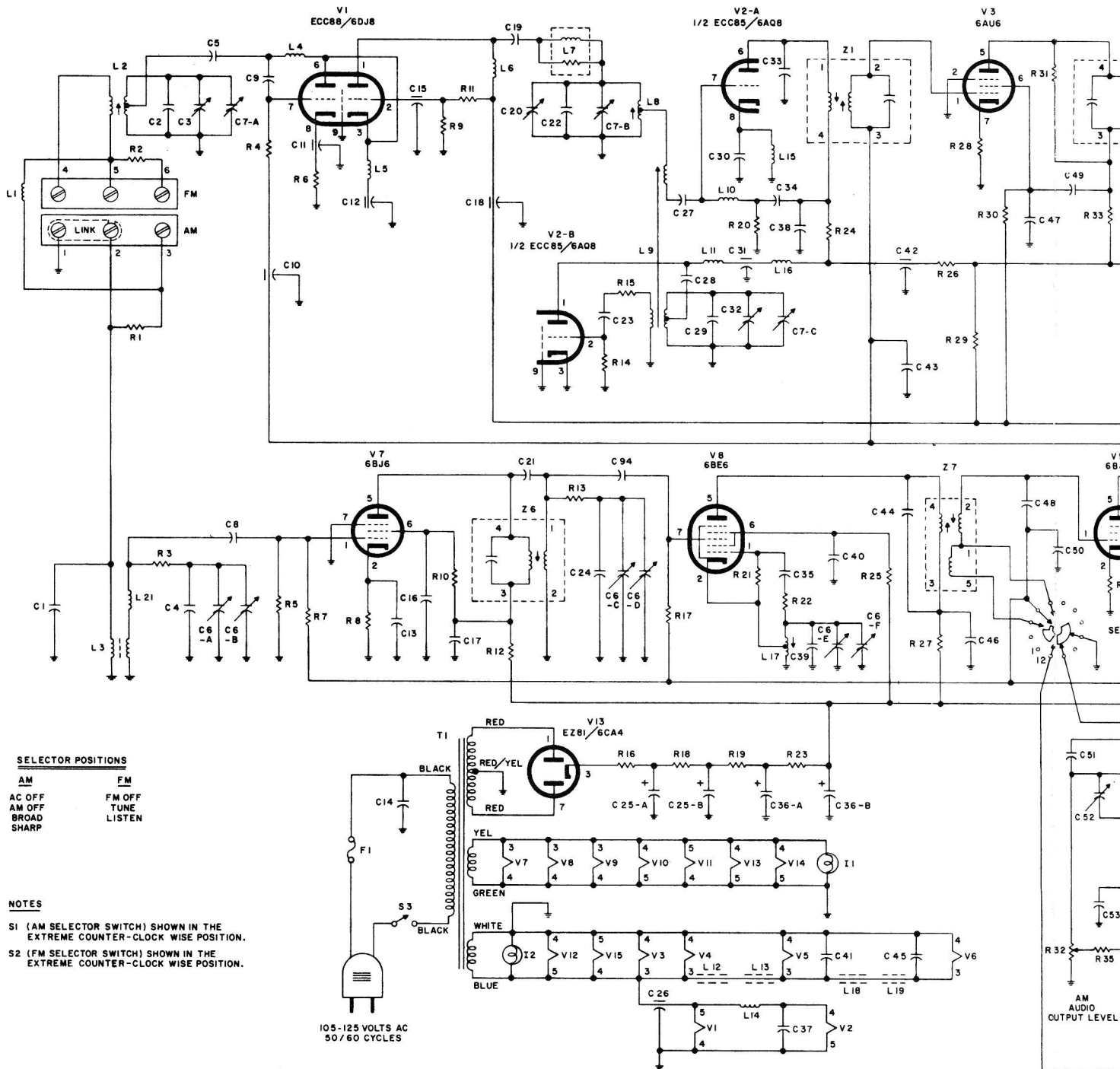
Z7, 8	Transformer, AM-IF
Z9	Transformer, AM-IF

MISCELLANEOUS

CR1, 2	Crystal Diodes, Matched Pair, FM Detector
F1	Fuse, 1 1/2 Ampere, Slo-Blo
L1, 2	Lamp, Dial Edge Lighting
S1	Switch, AM Selector
S2	Switch, FM Selector
S3	Switch, AC Power

Part of 51

SCHEMATIC DIAGRAM • FM-AM TUNER-4000R



SELECTOR POSITIONS

AM	FM
AC OFF	FM OFF
AM OFF	TUNE
BROAD	LISTEN
SHARP	

NOTES

- S1 (AM SELECTOR SWITCH) SHOWN IN THE EXTREME COUNTER-CLOCK WISE POSITION.
- S2 (FM SELECTOR SWITCH) SHOWN IN THE EXTREME COUNTER-CLOCK WISE POSITION.

105-125 VOLTS AC
50/60 CYCLES

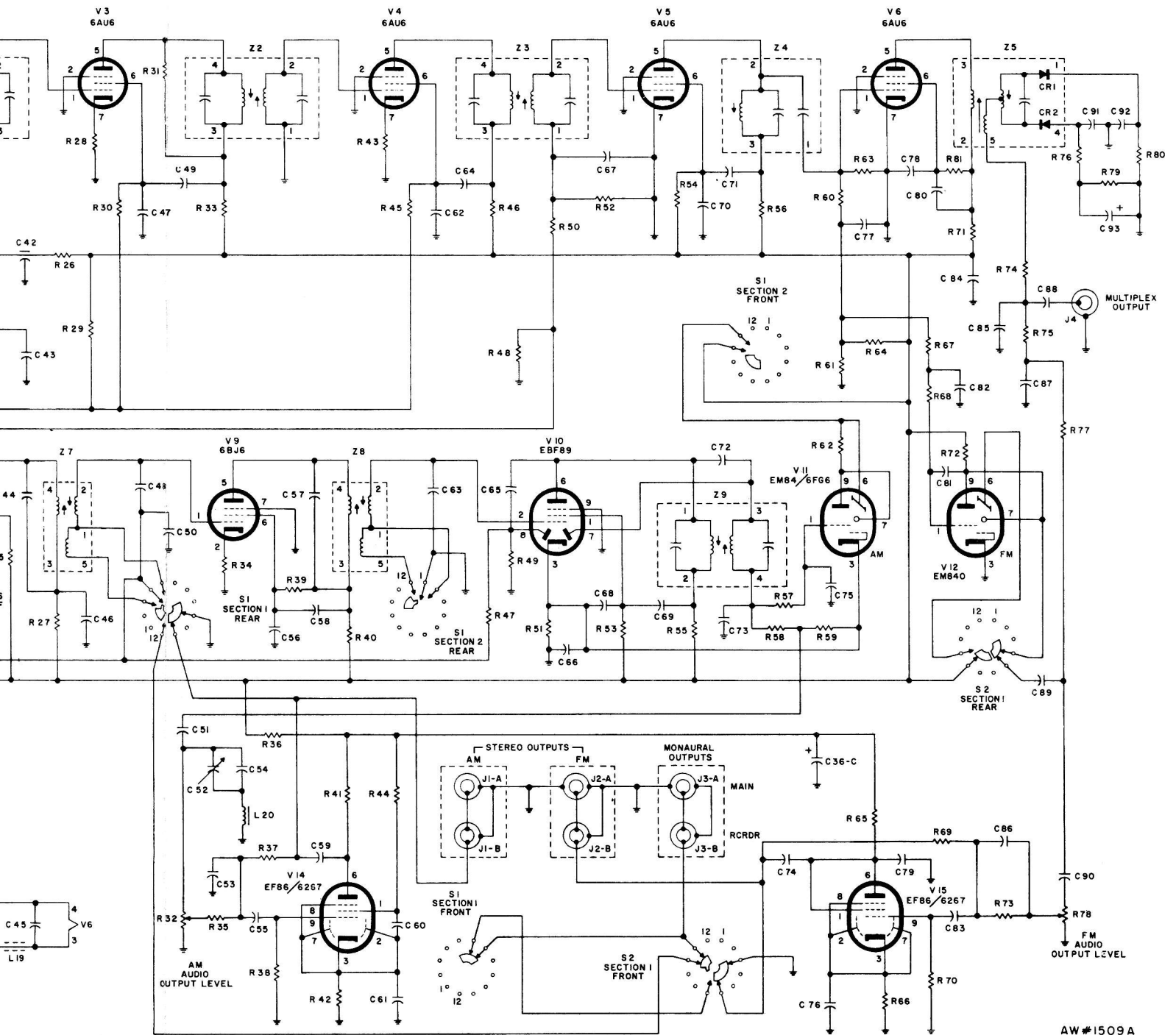
AM
AUDIO
OUTPUT LEVEL

RESISTORS

R1	R2	R3	R4	R5	R6	R7	R8	R9	R10	R11	R12	R13	R14	R15	R16	R17	R18	R19	R20	R21	R22	R23	R24	R25	R26	R27	R28	R29	R30	R31	R32	R33	R34	R35
----	----	----	----	----	----	----	----	----	-----	-----	-----	-----	-----	-----	-----	-----	-----	-----	-----	-----	-----	-----	-----	-----	-----	-----	-----	-----	-----	-----	-----	-----	-----	-----

CAPACITORS

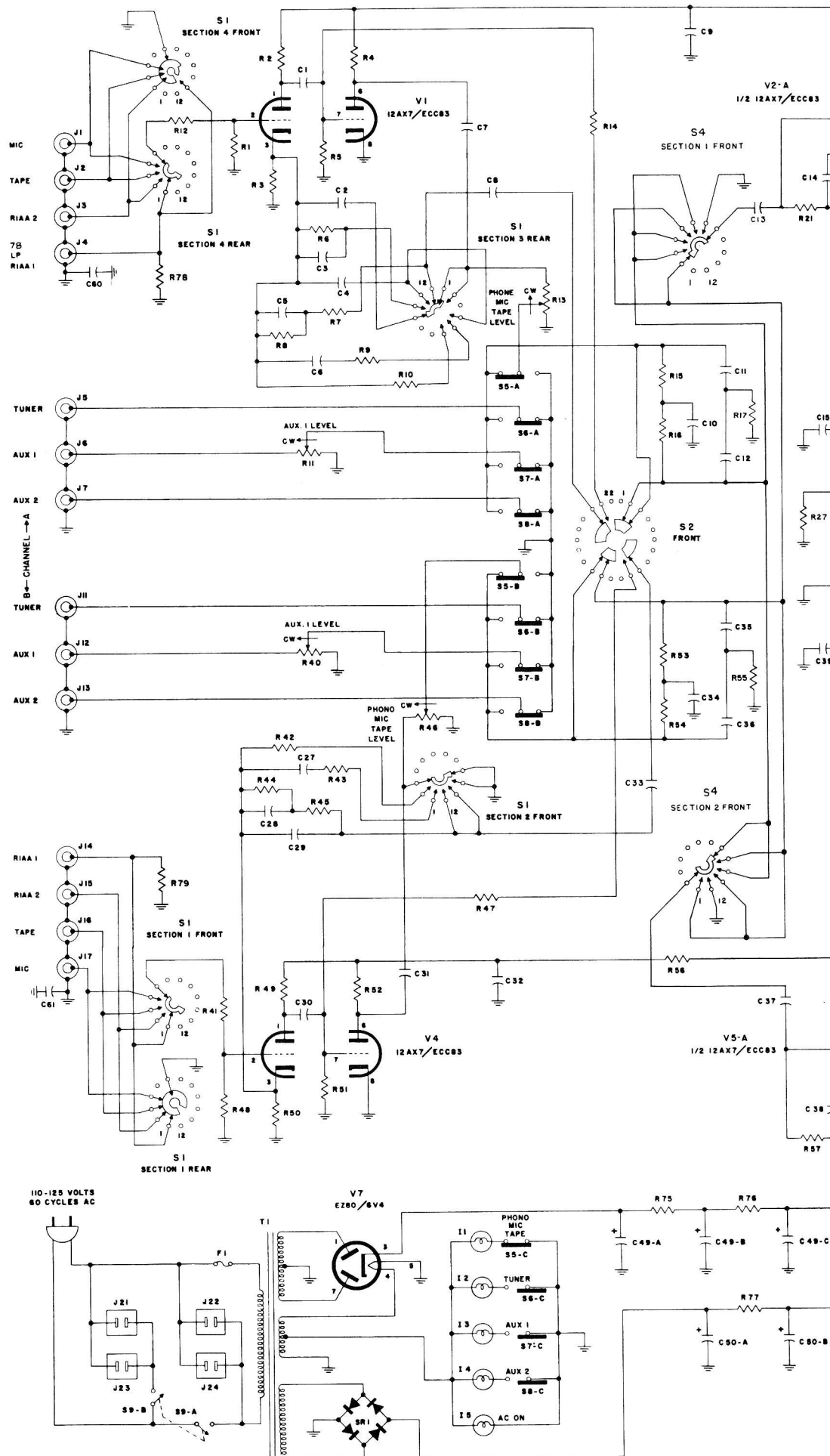
C1	C2	C3	C4	C5	C6-A	C6-B	C7-A	C7-B	C7-C	C8	C9	C10	C11	C12	C13	C14	C15	C16	C17	C18	C19	C20	C21	C22	C23	C24	C25-A	C25-B	C26	C27	C28	C29	C30	C31	C32	C33	C34	C35	C36-A	C36-B	C37	C38	C39	C40	C41	C42	C43	C44	C45	C46	C47	C48	C49	C50	C51
----	----	----	----	----	------	------	------	------	------	----	----	-----	-----	-----	-----	-----	-----	-----	-----	-----	-----	-----	-----	-----	-----	-----	-------	-------	-----	-----	-----	-----	-----	-----	-----	-----	-----	-----	-------	-------	-----	-----	-----	-----	-----	-----	-----	-----	-----	-----	-----	-----	-----	-----	-----

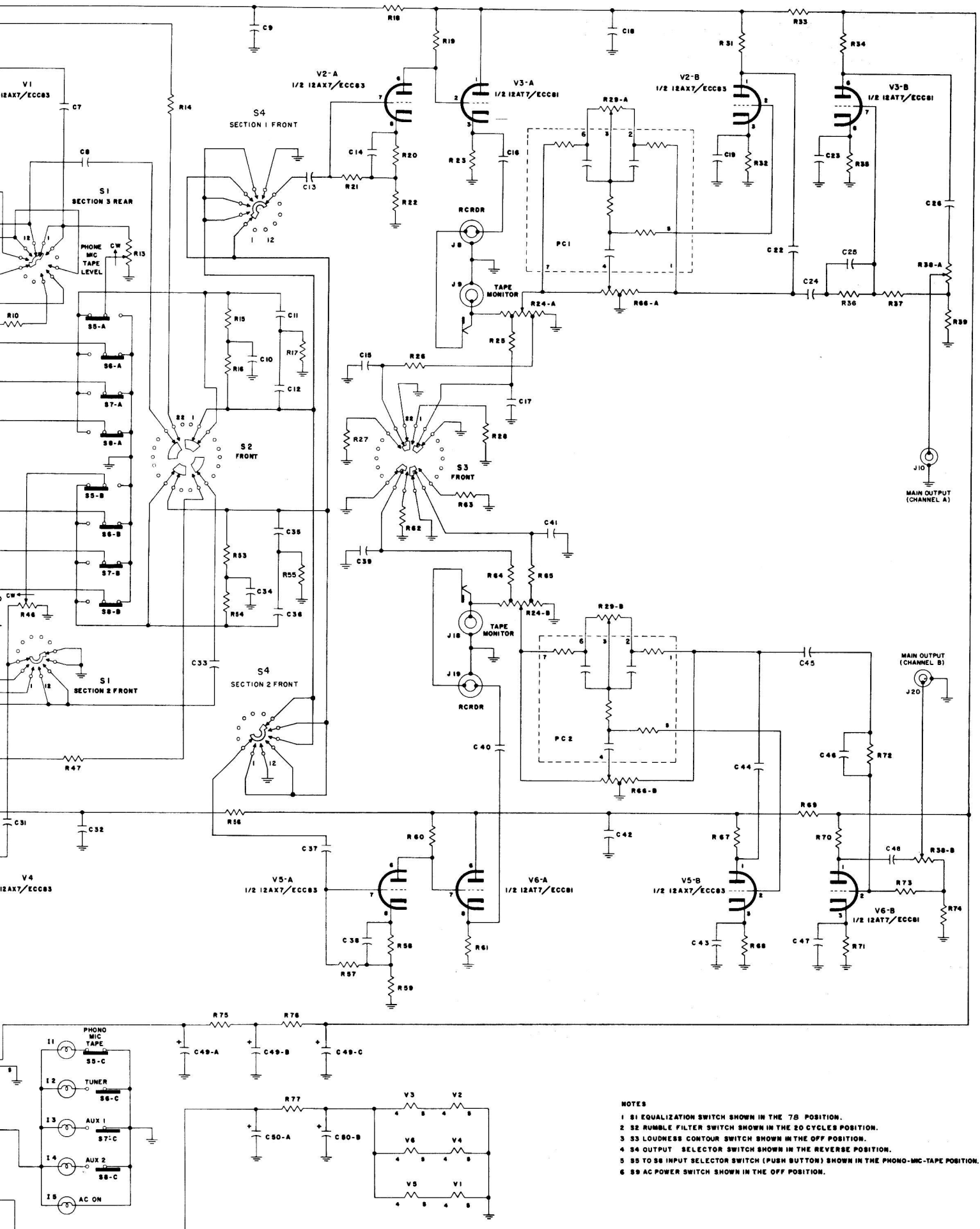


AW#1509A

R25	R 26	R 28	R 30	R 31	R 33	R 36	R 39	R 40	R 43	R 45	R 46	R 48	R 50	R 52	R 53	R 54	R 56	R 57	R 58	R 59	R 60	R 63	R 67	R 70	R 71	R 73	R 74	R 75	R 76	R 77	R 79	R 80								
F C 42	C 45	C 46	C 47	C 49	C 52	C 54	C 56	C 57	C 60	C 62	C 64	C 65	C 66	C 67	C 68	C 69	C 70	C 71	C 72	C 73	C 74	C 75	C 76	C 77	C 78	C 79	C 80	C 81	C 82	C 83	C 84	C 85	C 86	C 87	C 88	C 89	C 90	C 91	C 92	C 93

SCHEMATIC DIAGRAM • MASTER AUDIO CONTROL-4000C





- NOTES**
- 1 S1 EQUALIZATION SWITCH SHOWN IN THE 7B POSITION.
 - 2 S2 RUMBLE FILTER SWITCH SHOWN IN THE 20 CYCLES POSITION.
 - 3 S3 LOUDNESS CONTOUR SWITCH SHOWN IN THE OFF POSITION.
 - 4 S4 OUTPUT SELECTOR SWITCH SHOWN IN THE REVERSE POSITION.
 - 5 S5 TO S8 INPUT SELECTOR SWITCH (PUSH BUTTON) SHOWN IN THE PHONO-MIC-TAPE POSITION.
 - 6 S9 AC POWER SWITCH SHOWN IN THE OFF POSITION.

PARTS DESCRIPTION LIST • MASTER AUDIO CONTROL-4000C

CAPACITORS

20% tolerance for all capacitors, unless noted otherwise.

Symbol	Description	Order No.
C1	Two in parallel; Ceramic disc, .005 uf, 500V	C-50089-1
C2	Ceramic, 220 uf, 10%, 1000V	C-50072-20
C3	Ceramic disc, 820 uf, 10%, 1000V	C-50072-7
C4	Ceramic disc, 390 uf, 10%, 1000V	C-50072-6
C5	Ceramic disc, 1800 uf, 10%, 1000V	C-50072-8
C6	Ceramic disc, 560 uf, 10%, 1000V	C-50072-14
C7	Molded, .022 uf, 10%, 125V	C-50074-18
C8	Ceramic disc, .005 uf, 500V	C-50089-1
C9	Electrolytic, four section: C9: 10 uf, 200V C18: 30 uf, 300V C32: 10 uf, 200V C42: 30 uf, 300V	C-657-126
C10	Molded, .01 uf, 10%, 250V	C-50074-25
C11, 12	Ceramic disc, .005 uf, 500V	C-50089-1
C13, 14	Molded, .01 uf, 10%, 250V	C-50074-25
C15	Molded, .047 uf, 10%, 250V	C-50074-27
C16	Molded, .047 uf, 250V	C-50074-29
C17	Molded, .022 uf, 10%, 250V	C-50074-26
C18	Electrolytic section, 30 uf	Part of C9
C19	Electrolytic, 25 uf, 6V	C-639-114
C20	Not used	—
C21	Not used	—
C22	Molded, .01 uf, 10%, 250V	C-50074-28
C23	Electrolytic, 25 uf, 6V	C-639-114
C24	Molded, .027 uf, 10%, 250V	C-50074-22
C25	Ceramic, 15 uf, NPO, 10%, 500V	CC20C159K5
C26	Molded, .047 uf, 250V	C-50074-29
C27	Ceramic disc, 560 uf, 10%, 1000V	C-50072-14
C28	Ceramic disc, 1800 uf, 10%, 1000V	C-50072-8
C29	Ceramic disc, 390 uf, 10%, 1000V	C-50072-6
C30	Two in parallel; Ceramic disc, .005 uf, 500V	C-50089-1
C31	Molded, .022 uf, 10%, 250V	C-50074-26
C32	Electrolytic section, 10 uf	Part of C9
C33	Ceramic disc, .005 uf, 500V	C-50089-1
C34	Molded, .01 uf, 10%, 250V	C-50074-25
C35, 36	Ceramic disc, .005 uf, 500V	C-50089-1
C37, 38	Molded, .01 uf, 10%, 250V	C-50074-25
C39	Molded, .022 uf, 10%, 250V	C-50074-26
C40	Molded, .047 uf, 250V	C-50074-29
C41	Molded, .047 uf, 10%, 250V	C-50074-27
C42	Electrolytic section, 30 uf	Part of C9
C43	Electrolytic, 25 uf, 6V	C-639-114
C44	Molded, .01 uf, 10%, 250V	C-50074-28
C45	Molded, .027 uf, 10%, 250V	C-50074-22
C46	Ceramic, 8 uf ±0.5 uf, NPO, 500V	CC30C10K005
C47	Electrolytic, 25 uf, 6V	C-639-114
C48	Molded, .047 uf, 250V	C-50074-29
C49	Electrolytic, three-section: C49 A: 30 uf, 400V C49 B: 30 uf, 350V C49 C: 30 uf, 350V	C-657-125
C50	Electrolytic, two-section: C50 A: 1000 uf, 30V C50 B: 1000 uf, 30V	C-546-116

Note: Use C-546-116 to replace C-552-106 used on some units.

C51-59 Not used
C60, 61 Ceramic, 100 uf, NI500, 10%, 1000V

RESISTORS AND POTENTIOMETERS

In ohms, 10% tolerance, 1/2 watt, unless otherwise noted. K = Kiloohm, M = Megohm.

Symbol	Description	Order No.
R1	Composition, 100K	RC20BF104K
R2	Composition, 330K, 1W	RC30BF334K
R3	Composition, 220K, 1W	RC30BF224K
R4	Composition, 270K	RC20BF224K
R5	Composition, 10M	RC20BF104K
R6	Composition, 1.2M	RC20BF125K
R7	Composition, 270K	RC20BF274K
R8	Composition, 2.2M	RC20BF225K
R9	Composition, 120K	RC20BF124K
R10	Composition, 390K	RC20BF394K
R11	Potentiometer, 250K, level set	R-657-134
R12	Composition, 10K	RC20BF103K
R13	Potentiometer, 250K, level set	R-657-134
R14	Composition, 3.3M	RC20BF335K
R15, 16	Composition, 2.2M	RC20BF225K
R17	Composition, 1M	RC20BF105K
R18	Composition, 100K	RC20BF104K
R19	Composition, 220K	RC20BF224K
R20	Composition, 270K	RC20BF272K
R21	Composition, 2.2M	RC20BF225K
R22	Composition, 27K	RC20BF273K
R23	Composition, 56K, 1W	RC30BF563K
R24	Potentiometer, dual, volume: R24-A: 100K R24-B: 100K	R-730-118
R25	Composition, 10K	RC20BF103K
R26	Composition, 4700	RC20BF472K
R27	Composition, 8200	RC20BF822K
R28	Composition, 18K	RC20BF183K
R29	Potentiometer, dual, bass: R29-A: 1M R29-B: 1M	RS0160-5
R30	Composition, 470K	RC20BF474K
R31	Composition, 100K	RC20BF104K
R32	Composition, 1500	RC20BF152K
R33	Composition, 10K	RC20BF103K
R34	Composition, 47K, 1W	RC30BF473K
R35	Composition, 330	RC20BF331K
R36	Composition, 470K	RC20BF474K
R37	Composition, 330K	RC20BF334K
R38	Potentiometer, dual channel balance: R38-A: 25K R38-B: 25K	R-657-154
R39	Composition, 8200	RC20BF822K
R40	Potentiometer, 250K level set	R-657-134
R41	Composition, 10K	RC20BF103K
R42	Composition, 390K	RC20BF394K
R43	Composition, 120K	RC20BF124K
R44	Composition, 2.2M	RC20BF225K
R45	Composition, 270K	RC20BF274K
R46	Potentiometer, 250K, level set	R-657-134
R47	Composition, 3.3M	RC20BF335K
R48	Composition, 100K	RC20BF104K
R49	Composition, 330K, 1W	RC30BF334K
R50	Composition, 2700, 1W	RC30BF272K
R51	Composition, 10M	RC20BF104K
R52	Composition, 220K	RC20BF224K
R53	Composition, 2.2M	RC20BF225K
R54	Composition, 1M	RC20BF104K
R55	Composition, 100K	RC20BF103K
R56	Composition, 100K	RC20BF104K
R57	Composition, 2.2M	RC20BF225K
R58	Composition, 2700	RC20BF272K
R59	Composition, 27K	RC20BF273K
R60	Composition, 220K	RC20BF224K
R61	Composition, 56K, 1W	RC30BF563K
R62	Composition, 18K	RC20BF183K

MISCELLANEOUS

Symbol	Description	Order No.
F1	Fuse, 0.5 ampere	F-3297
I1-5	Lamp, channel indicator, AC pilot	A-50118
J1-4	Jack, dual	J-50081-1
J5-7	Jack, triple	J-50081-3
J8, 10	Jack, dual	J-50081-1
J9	Jack, shorting, monitor	J-50088
J11-13	Jack, triple	J-50081-3
J14-17	Jack, dual	J-50081-1
J18	Jack, shorting, monitor	J-50088
J19, 20	Jack, dual	J-50081-1
J21-24	Receptacle, auxiliary AC	J-546-129
PC1, 2	Printed kfi, tone control	P-657-140
S1	Switch, equalization selector	S-657-131
S2	Switch, rumble, filter	S-657-132
S3	Switch, loudness contour	S-657-138
S4	Switch, output selector	S-657-150
S5-8	Switch assembly, four pushbuttons, input channel selector	S-657-129
SR	Part of R24	—
SR-50093	Selenium rectifier, filament supply	SR-50093
T-657-115	Transformer, power	T-657-115
AS-50004-1	Shielded cable, 4 feet, with molded plugs	AS-50004-1
P-1031	Plug, standard RETMA	P-1031

MECHANICAL PARTS

Symbol	Description	Order No.
Jewel, red, AC pilot	1-50147-1	
Jewel, green, channel indicator	1-50147-4	
Retaining ring, jewel	A-50007	
Knob, with gold triangle	E-50108-2	
Knob, pushbutton	E-546-108	
Knob, lever	E-546-135	
Knob, dual rear	E50152	
Knob, dual front	E50153-1	
Fuse holder, with cover	X-1036	
Tube shield	E-3287	
Bottom cover	AS-657-143	

MOUNTING HARDWARE

Symbol	Description	Order No.
1/2-inch shelf mounting:	H1215383AA	
Machine screw, 1-inch/8-32/RH, four required	H1215383AA	
Stand-off washer, 1/4-inch, four required	A-657-147	
3/4-inch shelf mounting:	H1215383AA	
Machine screw, 1-inch/8-32/RH, four required	H1215383AA	
Flat washer, four required	H101W106AA	
Leg mounting, without cabinet:	H101W106AA	
Plastic leg, four required	H-657-145	
Machine screw, 1/2-inch/8-32/RH, four required	H1215378AA	

VOLTAGE AND RESISTANCE MEASUREMENTS

MASTER AUDIO CONTROL-4000C

All readings below taken with a vacuum-tube voltohmmeter with respect to chassis ground. All input selector pushbuttons out, and level set adjustments at minimum. Volume control at minimum. Bass, treble, and channel balance controls at mid-position. Loudness contour control off. Rumble filter at 20 cycles. Equalization selector at RIAA 1. Output selector at STANDARD.

Voltage Reference Chart

Set line voltage at 117 volts AC, 50-60 cycles. All readings are in DC volts with respect to chassis ground. Allow 15-minute instrument warm-up before taking measurements.

SYMBOL TUBES	TUBE SOCKET TERMINAL NUMBERS								
	1	2	3	4	5	6	7	8	9a
V1	85	0	P	12.6	0	90	N	0	6.3
V2	170	0	1.3	12.6	0	155	N	15	6.3
V3	265	155	155	25.2	12.5	125	0	1.3	18.9
V4	85	0	P	12.6	0	90	N	0	6.3
V5	170	0	1.3	25.2	12.6	155	6.3	15	18.9
V6	125	0	1.3	25.2	12.6	265	155	155	18.9
V7	300 AC	X	365	6.3 AC	0	X	300 AC	X	X
SUPPLY CAPACITORS	TERMINAL SYMBOLS		VOLTAGE		CHART NOTES AC Reading in AC volts N Less than 1 volt DC, negative P Less than 1 volt DC, positive X No connection a Dual-filament junction, V1-V6 c Sections of C9 (See parts list)				
C9	▲		185						
C18c	■		265						
C32c	—		185						
C42c	◐		265						
C49-A	◑		365						
C49-B	■		340						
C49-C	▲		320						
C50-A	▲		30						
C50-B	◐		25						

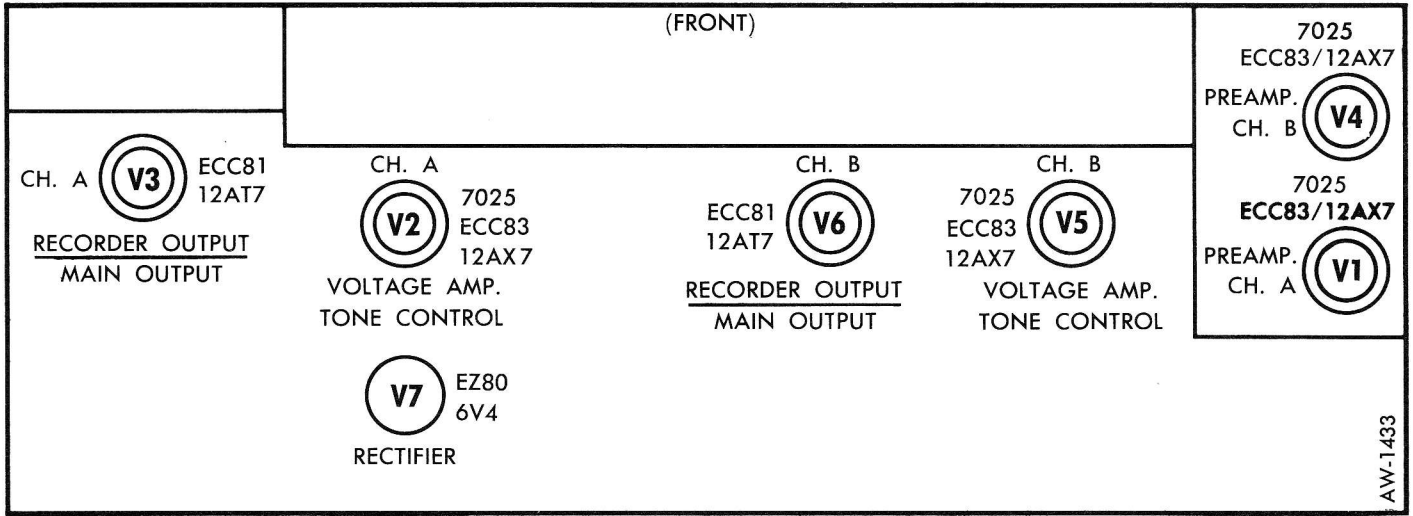
Resistance Reference Chart

Disconnect the chassis AC power cord. Discharge all electrolytic capacitors to chassis ground through a 100-ohm resistor. Disconnect all cables to associated equipment. Readings are in ohms with respect to chassis ground.

SYMBOL TUBES	TUBE SOCKET TERMINAL NUMBERS								
	1	2	3	4	5	6	7	8	9a
V1	350K+	100K	2700	12+	0	350K+	10M	0	8+
V2	350K+	450K	1500	12+	0	350K+	2.2M	30K	8+
V3	350K+	350K+	56K	12+	12+	350K+	340K	330	12+
V4	350K+	100Kb	2700	12+	0	350K+	10M	0	8+
V5	350K+	450K	1500	12+	12+	350K+	2.2M	30K	12+
V6	350K+	340K	330	12+	12+	350K+	350K+	56K	12+
V7	135	X	350K+	L	0	X	135	X	X
SUPPLY CAPACITORS	TERMINAL SYMBOLS		RESISTANCE		CHART NOTES K Kilohm L Less than 1 ohm M Megohm X No connection + Minimum reading, rising as electrolytic capacitors charge. a Dual-filament junction, V1-V6 b 9K reading with equalization selector in EUR or LP position. c Sections of C9 (See parts list)				
C9	▲		350K+						
C18c	■		350K+						
C32c	—		350K+						
C42c	◐		350K+						
C49-A	◑		350K+						
C49-B	■		350K+						
C49-C	▲		350K+						
C50-A	▲		21+						
C50-B	◐		12+						

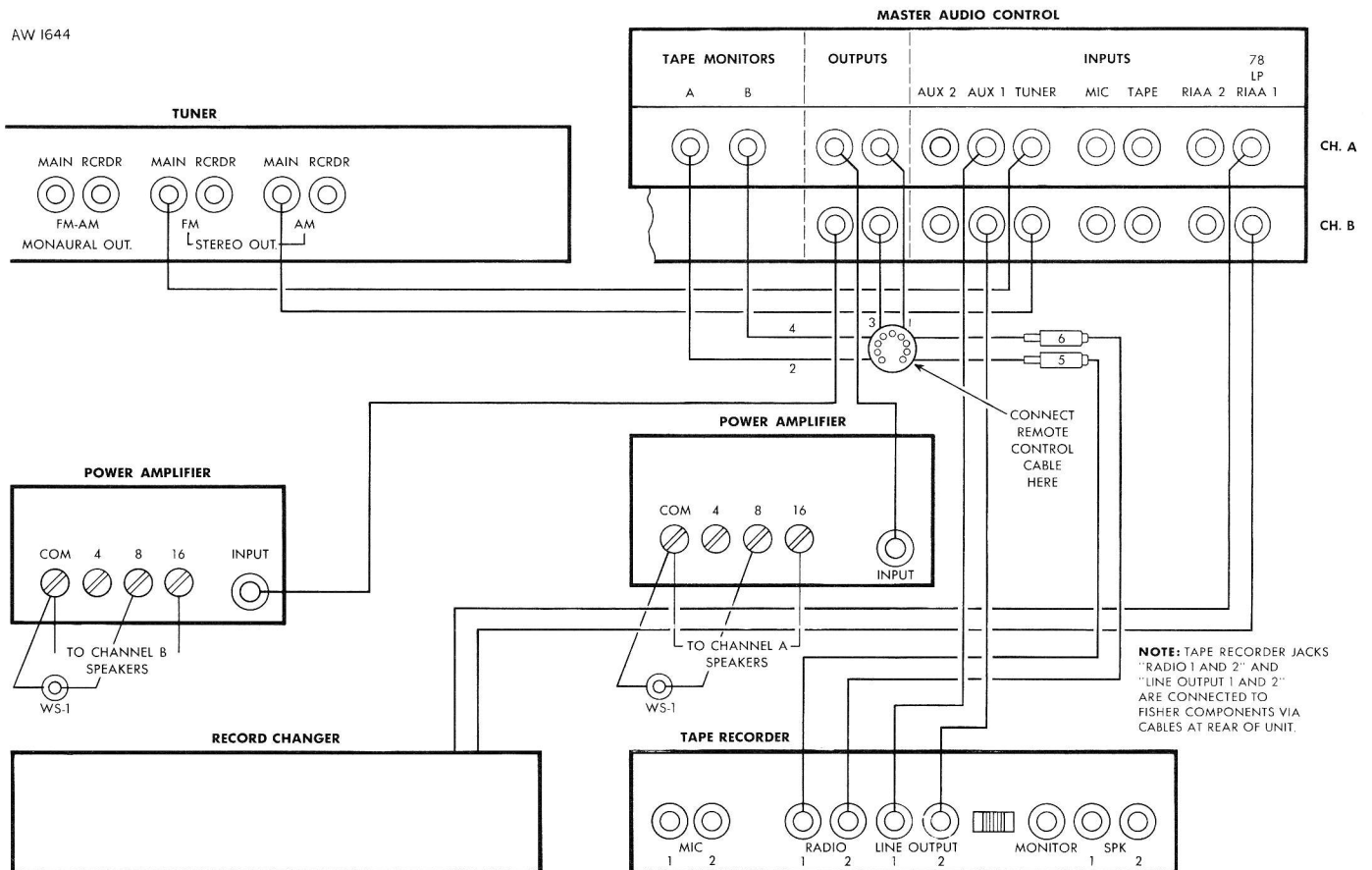
TUBE LAYOUT

MASTER AUDIO CONTROL-4000C



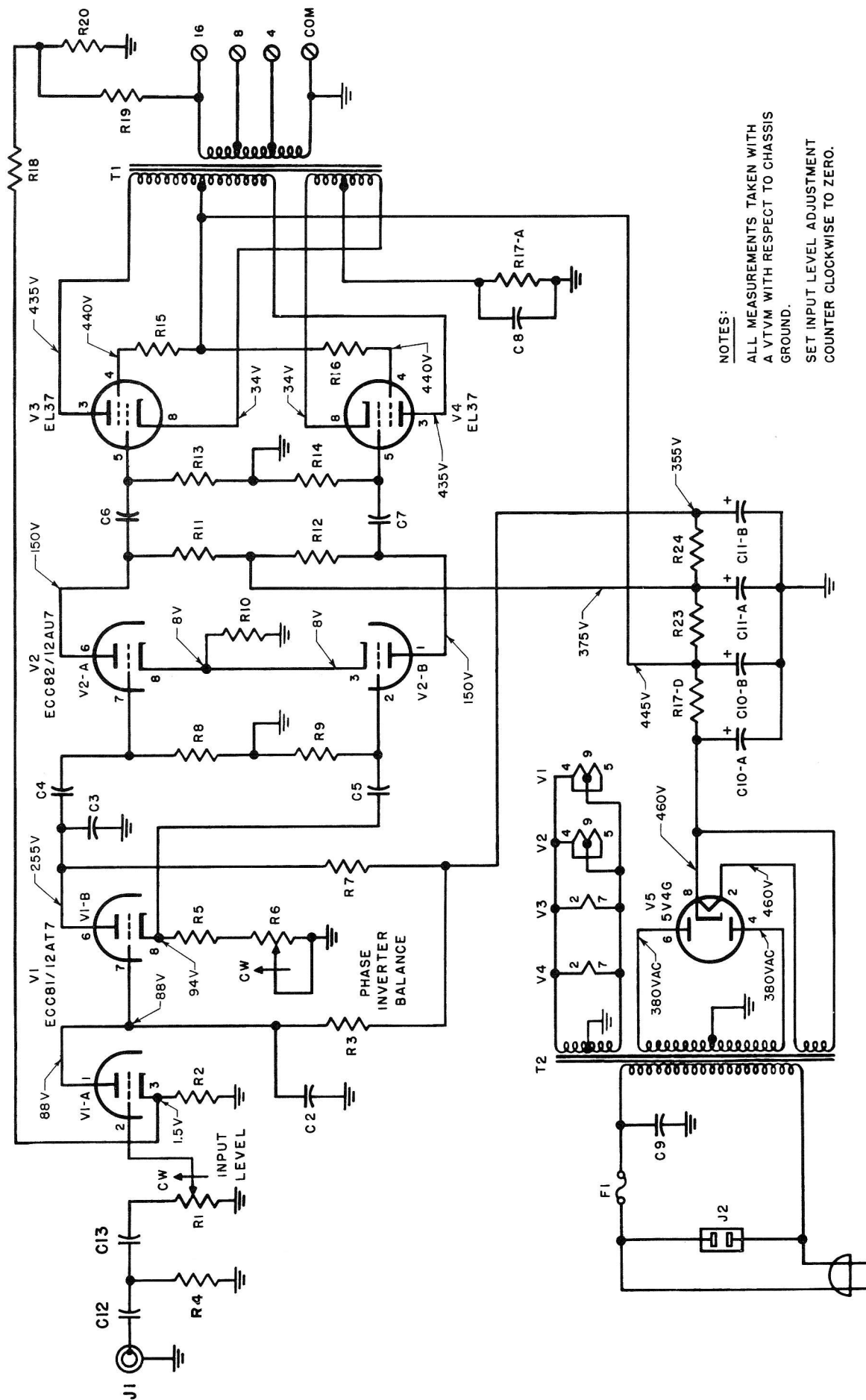
COMPONENT HOOK-UP CHART

AW 1644



AW 1644

SCHEMATIC DIAGRAM • AMPLIFIER 100



NOTES:
 ALL MEASUREMENTS TAKEN WITH
 A VTVM WITH RESPECT TO CHASSIS
 GROUND.
 SET INPUT LEVEL ADJUSTMENT
 COUNTER CLOCKWISE TO ZERO.

AW 1416 SCHEMATIC P649

125-125 VOLTS AC
 50-60 CYCLES

PARTS DESCRIPTION LIST AMPLIFIER 100

TUBE LAYOUT AMPLIFIER 100

CAPACITORS

20 % tolerance for all capacitors, unless otherwise noted.

Symbol	Description	Part No.
C1	Mylar, .022uf, 10 %, 250V	C50197-49
C2	Ceramic, 300uf, 10 %, 500V	CC21GP301K5
C3	Ceramic, 120uf, 10 %, 500V	CC21GP121K5
C4, 5	Molded tubular, .022uf, 400V	C68P223M4
C6, 7	Molded tubular, .047uf, 400V	C68P473M4
C8	Electrolytic, 50uf, 50V	C-508-115
C9	Molded tubular, .01uf, 600V	C-2747
C10	Electrolytic, two-section, each 40uf, 500V	C-522-114
C11	Electrolytic, two-section, each 40uf, 450V	C-1798
C12	Mylar, .01uf, 10 %, 250V	C50197-48

RESISTORS

Values in ohms, 10 % tolerance, 1/2 watt, unless otherwise noted. K=Kilohms. M=Megohms.

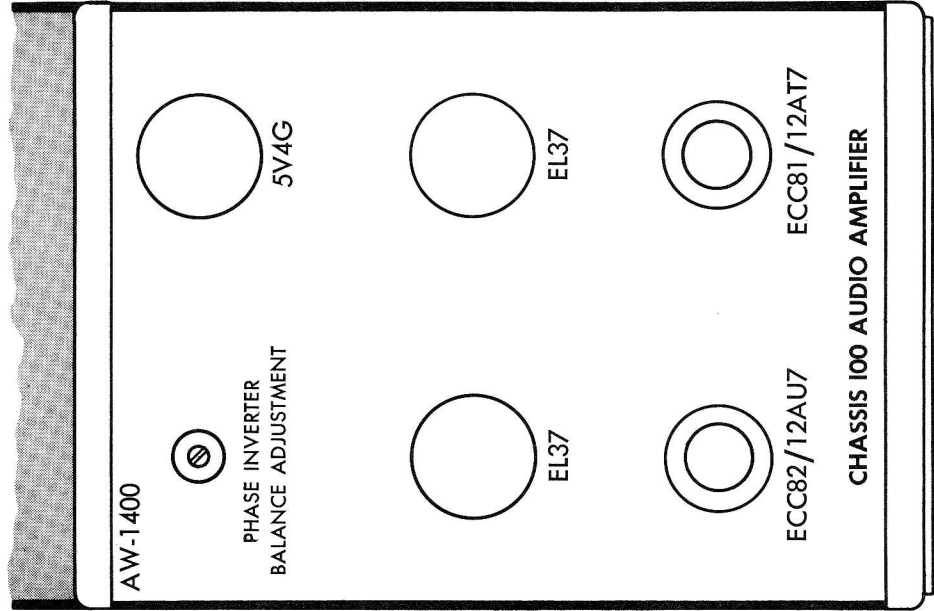
Symbol	Description	Part No.
R1	Potentiometer, composition, 500K, 1/4 W, input level	R-2815-9
R2	Composition, 1500	RC20BF152K
R3	Composition, 220K	RC20BF224K
R4	Composition, 470K	RC20BF474K
R5	Composition, 82K	RC20BF823K
R6	Potentiometer, composition, 50K, 1/4 W, phase inverter balance	R-50000-5
R7	Composition, 100K	RC20BF104K
R8, 9	Composition, 470K	RC20BF474K
R10	Composition, 2700	RC20BF272K
R11, 12	Composition, 150K	RC20BF154K
R13, 14	Composition, 470K	RC20BF474K
R15, 16	Composition, 68	RC20BF680K
R18	Composition, 4700	RC20BF472K
R19	Composition, 2200	RC20BF222K
R20	Composition, 330	RC20BF331K
R23, 24	Composition, 10K, 1W	RC30BF103K

TRANSFORMERS

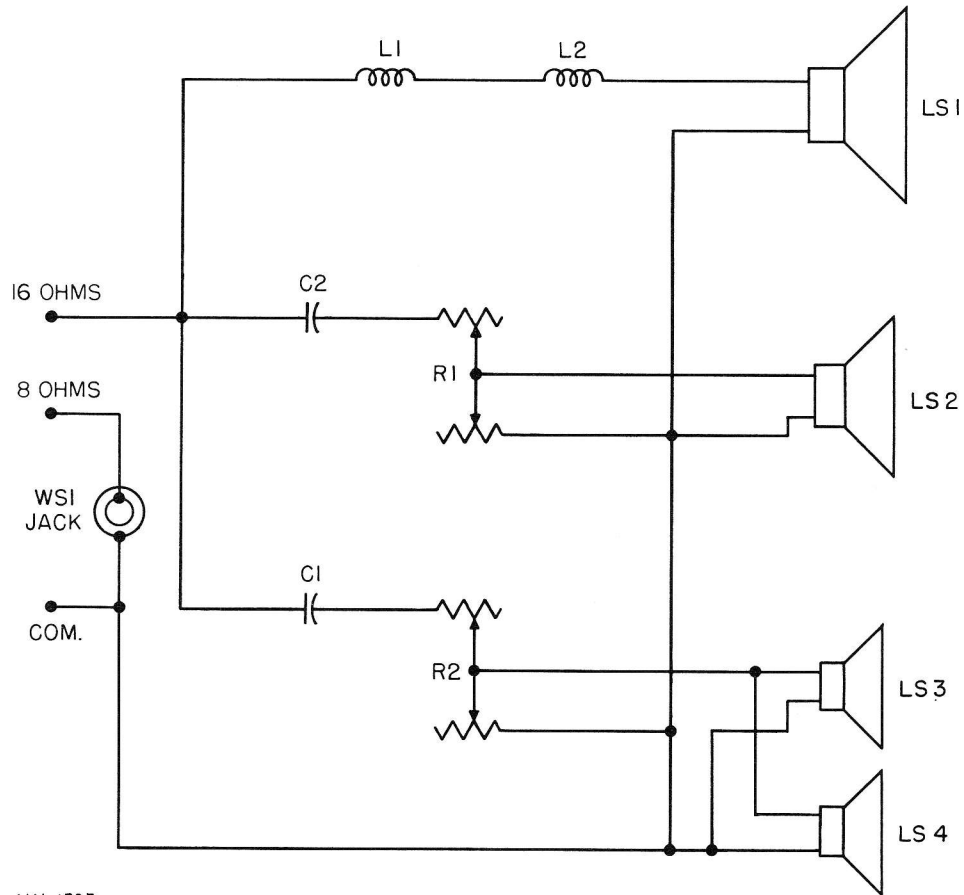
Symbol	Description	Part No.
T1	Transformer, output	T-557-145
T2	Transformer, power	T-649-114

MISCELLANEOUS

Symbol	Description	Part No.
F1	Fuse, 3 ampere	F-3000
J1	Jack, input	J-3143
J2	Receptacle, auxiliary AC	J-546-129



SCHEMATIC DIAGRAM • SPEAKER SYSTEMS



AW 1727

PARTS DESCRIPTION LIST • SPEAKER SYSTEMS

Symbol	Description	Part No.
C1, C2	Capacitor, 2uf, 50V	C547-118
L1, L2	Coil, Crossover, 3MH	L547-120
LS1	Speaker, Woofer, 15-Inch	LS776-105
LS2	Speaker, Mid-Range, 8-Inch	LS547-123
LS3, LS4	Speakers, Tweeter	LS769-104



FISHER RADIO CORPORATION • NEW YORK