

SERVICE MANUAL



RS-560 (EUROPE)

AM/FM Stereo Receiver



132 356 41

TABLE OF CONTENTS

Specifications	2
Caution on RF Adjustment	3
AM Tuner Alignment	3
FM Tuner Alignment	4
AM/FM Tuner Adjustment Points	5
Power Amplifier Adjustment	6
Before Adjustment	6
Idling Current Adjustment	6
Left Channel Amplifier	6
Right Channel Amplifier	6
Adjustment Points	6
Cabinet & Chassis Exploded View (1)	7
Cabinet & Chassis Exploded View (2)	8
Cabinet & Chassis Part List	9
P.C.Board Parts List	10
IC Block Diagram	16
P.C.Board (Bottom View)	18
Schematic Diagram (Micom Control P.C.Board Section)	23
Schematic Diagram (RF Main P.C.Board Section)	25
Point to Point Wiring Diagram	27
Important Note	28
Reference Voltage Table of IC & Transistor Lead	29
IC & Transistor Lead Identification	30

REFERENCE No. WM-570685

SPECIFICATIONS

POWER AMPLIFIER SECTION

Minimum RMS sine wave power per channel within the stated bandwidth at no more than the stated distortion and with an 8Ω load (DIN) 40Watts
 Power Bandwidth 20Hz ~ 20kHz
 Total Harmonic Distortion 0.07%
 I.M. Distortion 0.07%
 Speaker Damping > 20

PREAMPLIFIER SECTION

Frequency Response
 Phono (RIAA) ±1dB
 AUX (20Hz ~ 20kHz) ±1dB
 Input Sensitivity and Impedance
 Phono 2.5mV/47kΩ
 Tape Monitor 1,2 150mV/47kΩ
 AUX/CD 150mV/47kΩ
 Phono: Maximum Input Capability 150mV
 Graphic Equalizer
 63Hz ±10dB
 250Hz ±10dB
 1kHz ±10dB
 4kHz ±10dB
 16kHz ±10dB
 Loudness Contour (100Hz/10kHz) +8dB/+4dB
 Hum and Noise (DIN)
 Phono 70dB
 Tape Monitor 1,2 90dB
 AUX/CD 90dB

FM SECTION

26dB Quieting Sensitivity
 Monaural 1.0μV/0dB
 46dB Quieting Sensitivity
 Monaural 5.0μV/14dB
 Signal-to-Noise Ratio
 Monaural 70dB
 Stereo 65dB
 Capture Ratio 1.5dB
 Alternate Channel Selectivity(±300kHz) 50dB
 Image Response Ratio > 118dB
 Spurious Response Ratio 80dB
 IF Response Ratio > 118dB
 AM Suppression Ratio 60dB
 Total Harmonic Distortion at 50dB Quieting
 Monaural 0.1%
 Stereo 0.1%
 Total Harmonic Distortion at 65dBf
 Monaural (100Hz/1kHz/6kHz) 0.3/0.3/0.4%
 Stereo (100Hz/1kHz/6kHz) 0.4/0.4/0.5%
 Stereo Separation
 (100Hz/1kHz/10kHz) 40/40/30dB
 Sub-Carrier Rejection (19kHz/38kHz) 30/50dB
 Audio Frequency Response
 (20Hz ~ 15kHz) ±3.0dB

AM SECTION

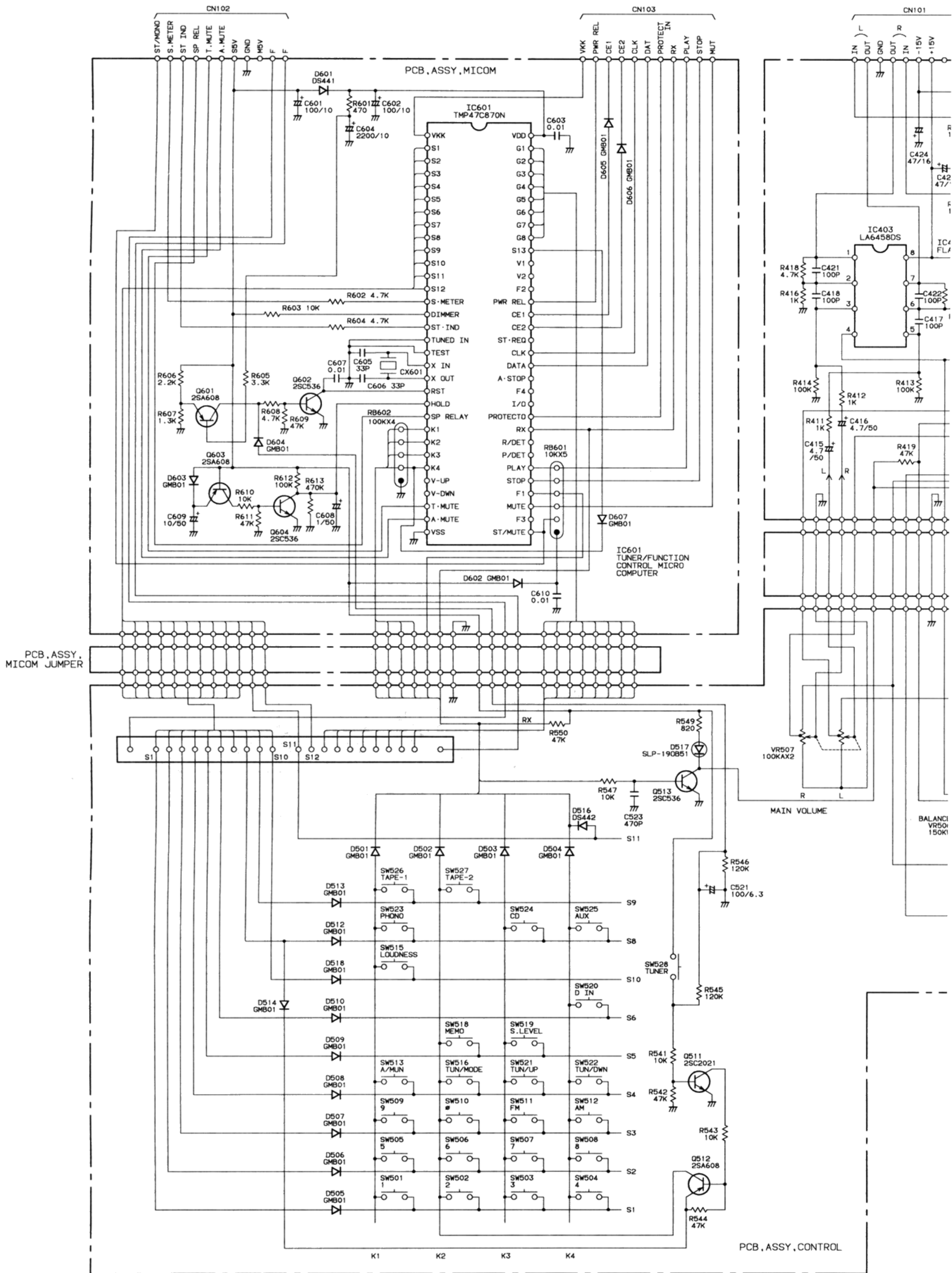
Usable Sensitivity 800μV/m
 Selectivity 28dB
 Signal-to-Noise Ratio 55dB
 Image Response Ratio 38dB
 IF Response Ratio 60dB

GENERAL

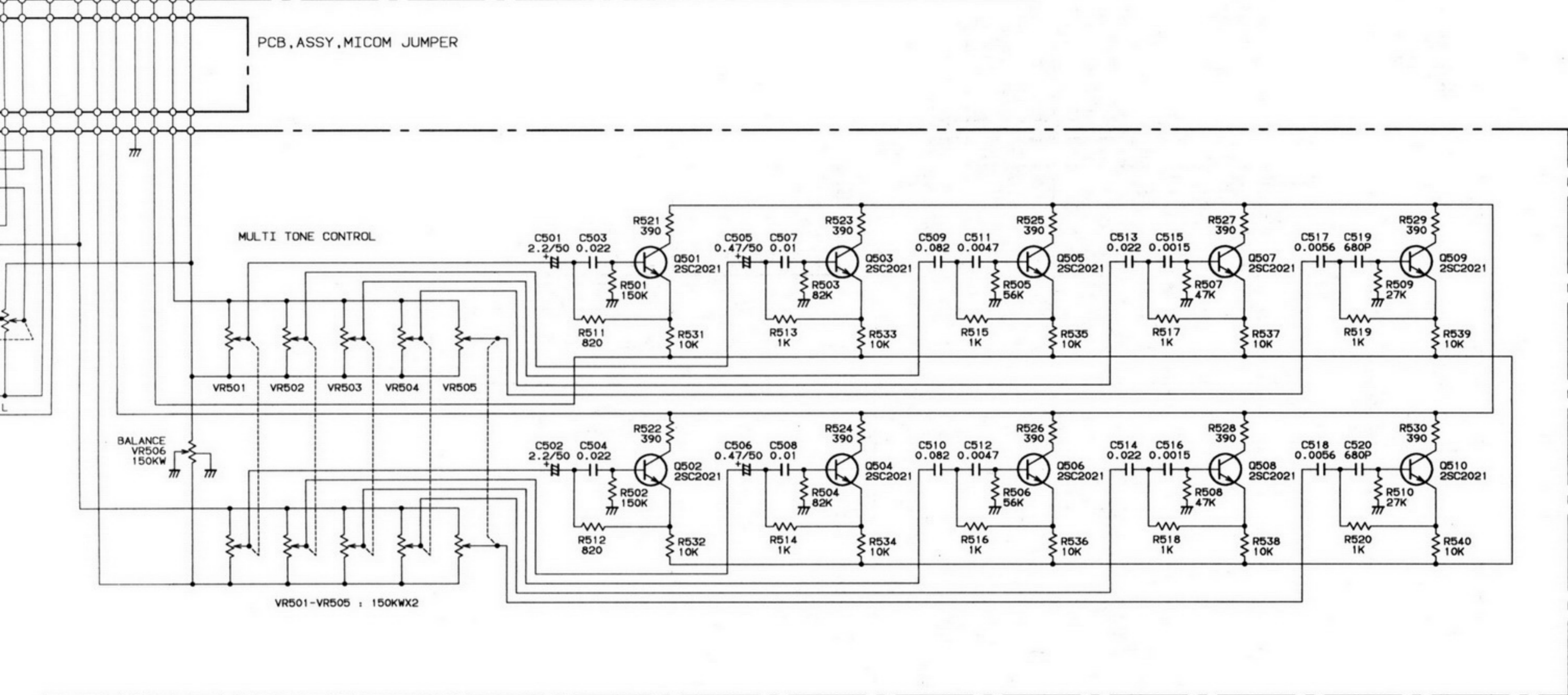
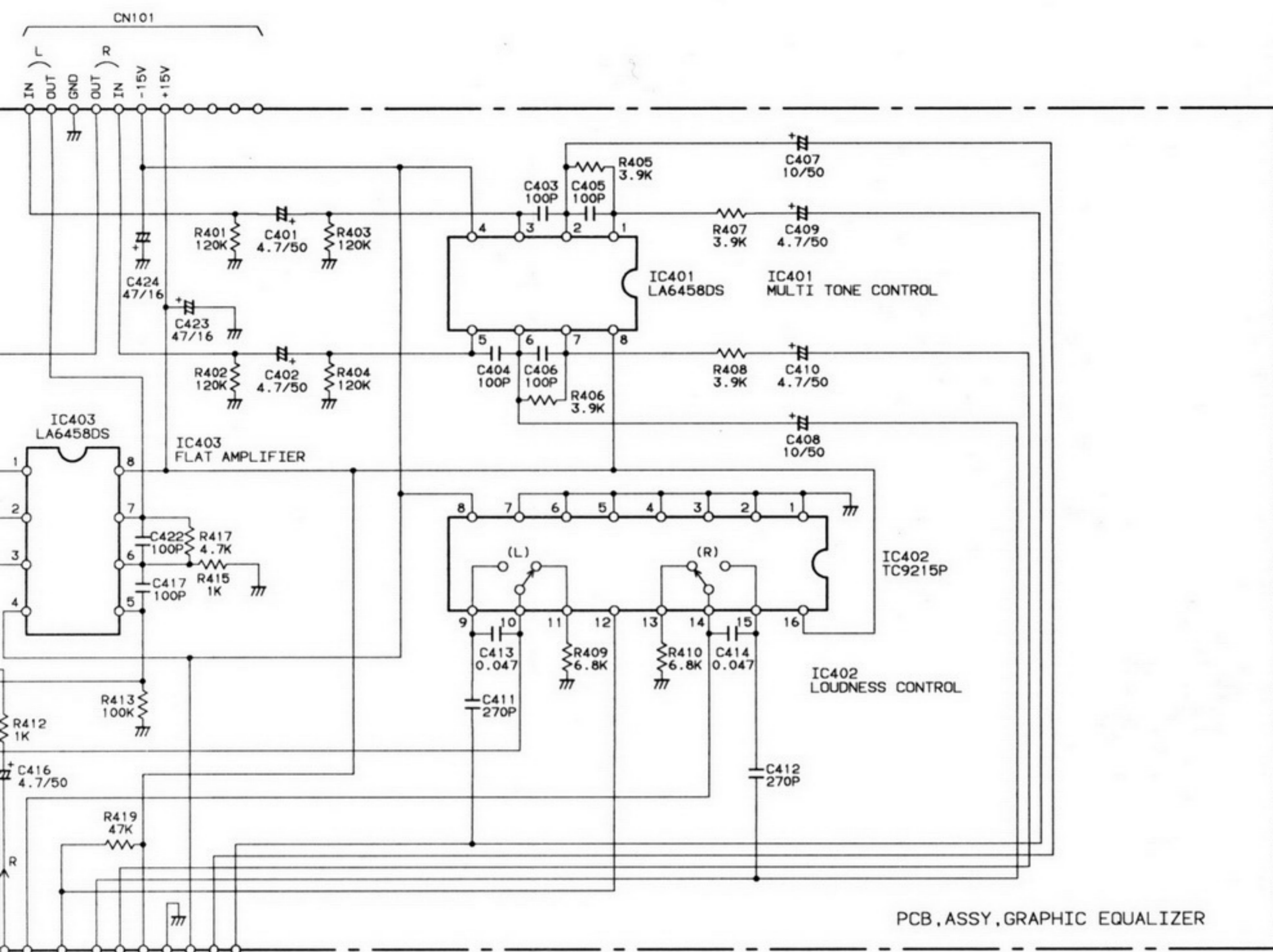
Timer: Power off delay ≥90 minutes
Selectable, 10-minute steps
 Power Requirements AC 230V
 (50/60Hz) 250Watts
 AC Outlet (Switched) 2
 Dimensions (WxHxD) 440 x 115 x 350mm
 Weight (Approximate) 5.9kg

— Specifications and design are subject to change without notice. —

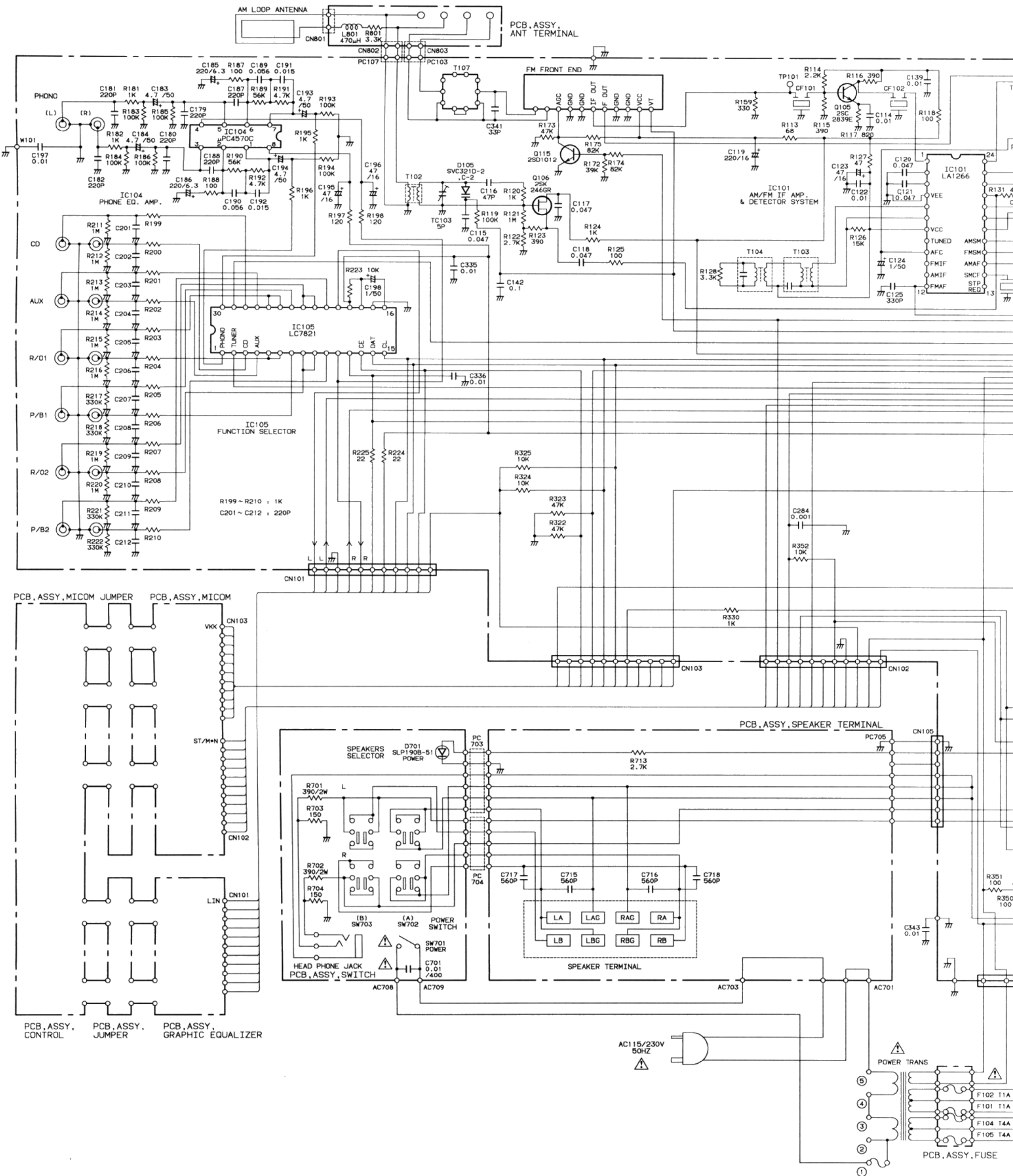
SCHEMATIC DIAGRAM (MICOM)



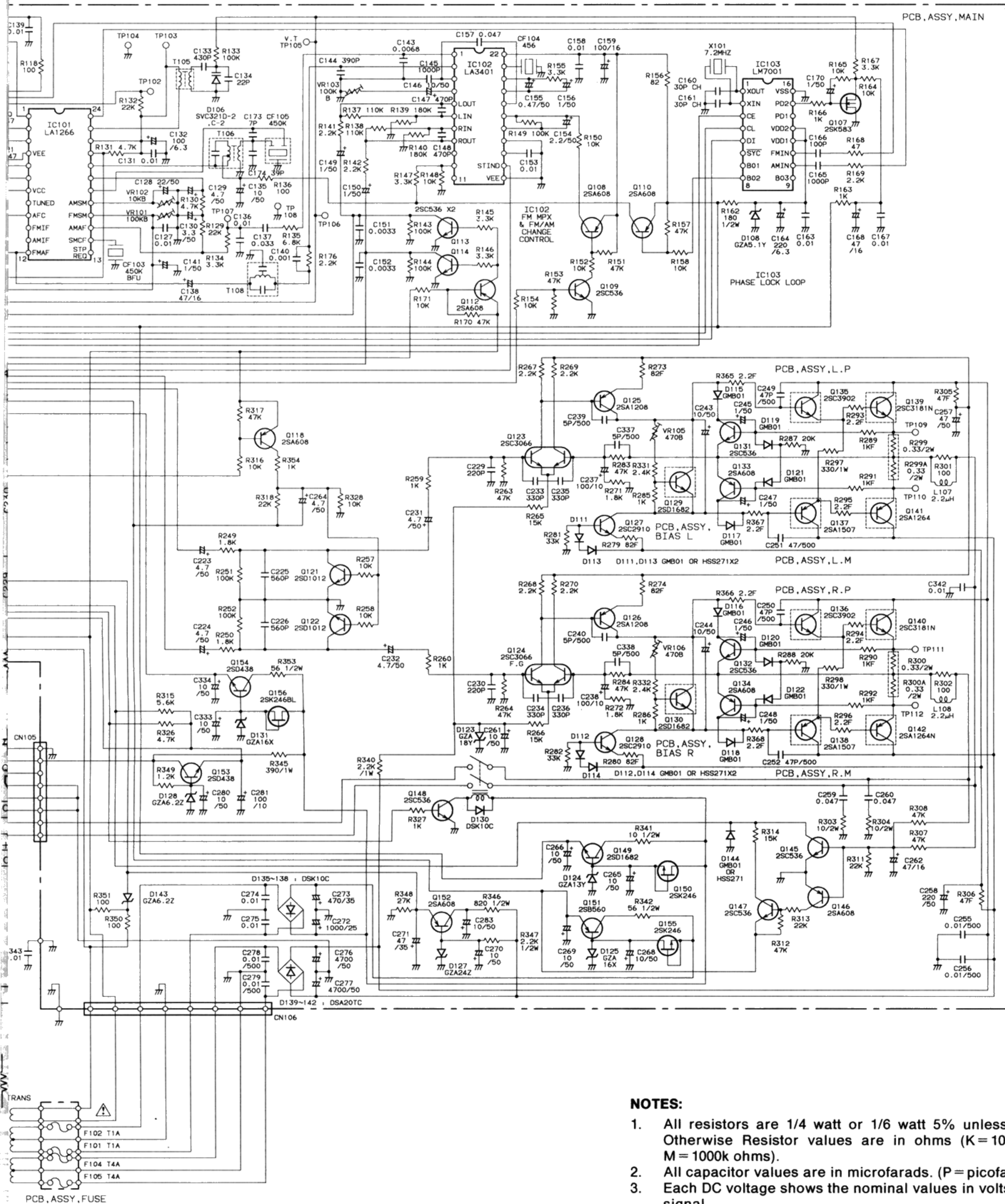
M (MICOM CONTROL P.C.BOARD Section)



SCHEMATIC DIAGRAM (RF MAIN P.C



MAIN P.C.BOARD Section)



- NOTES:**
1. All resistors are 1/4 watt or 1/6 watt 5% unless marked. Otherwise Resistor values are in ohms (K=1000 ohms, M=1000k ohms).
 2. All capacitor values are in microfarads. (P=picofarads).
 3. Each DC voltage shows the nominal values in volts no input signal.
 4. Δ is Safety Part. Use only replacement parts recommended by the manufacturer.
 5. This is a basic schematic diagram.

POINT TO POINT WIRING DIAGRAM

