







RIGHT SPEAKER



GND C 4 B 16

RIGHT (R) INPUTS



THE FISHER
MODEL
SA-1000
105-120 V
50-60 CPS
400 W x 470 VA
SERIAL NO.
19551 A



LEFT (L) INPUTS

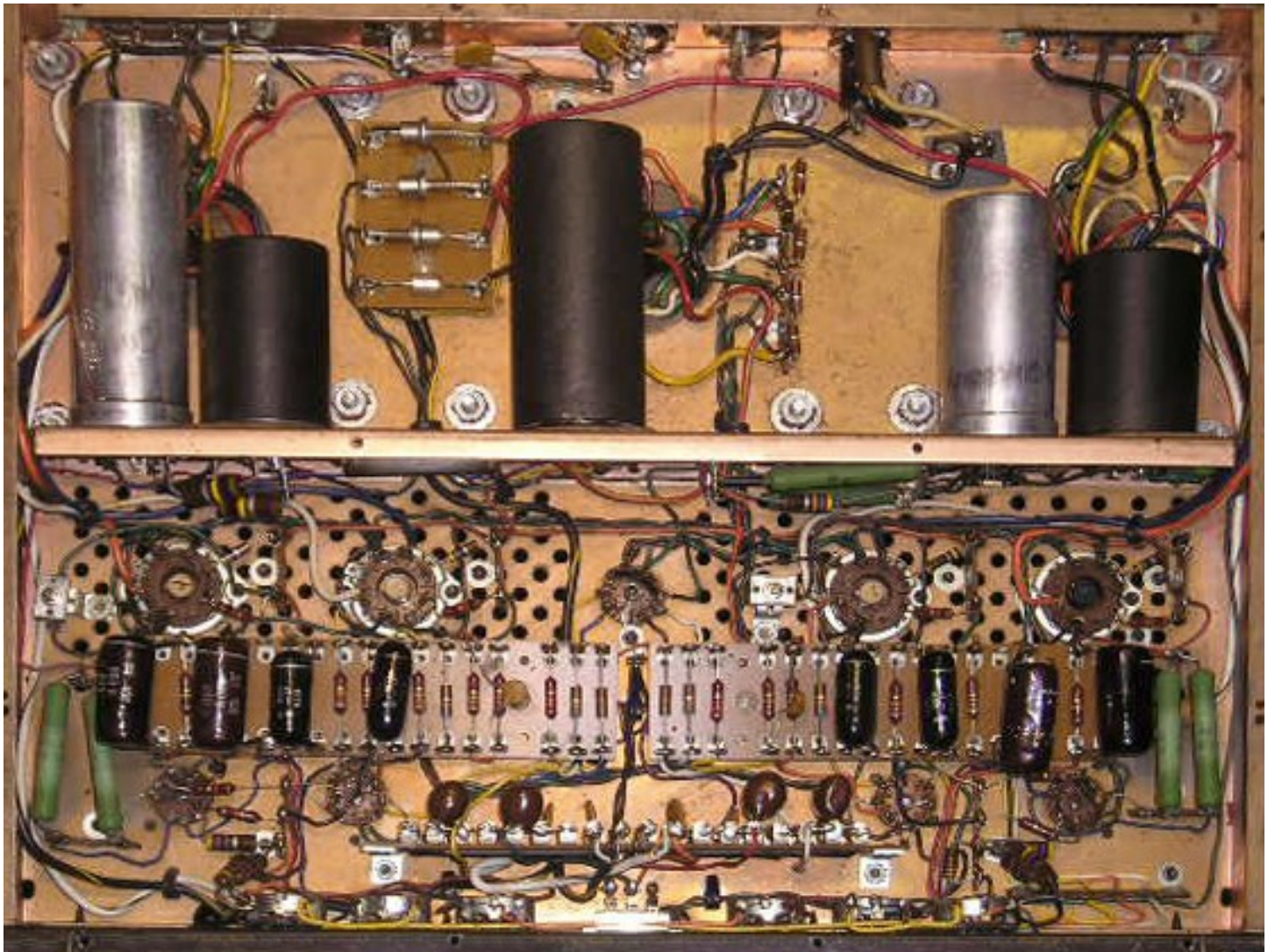
TEST

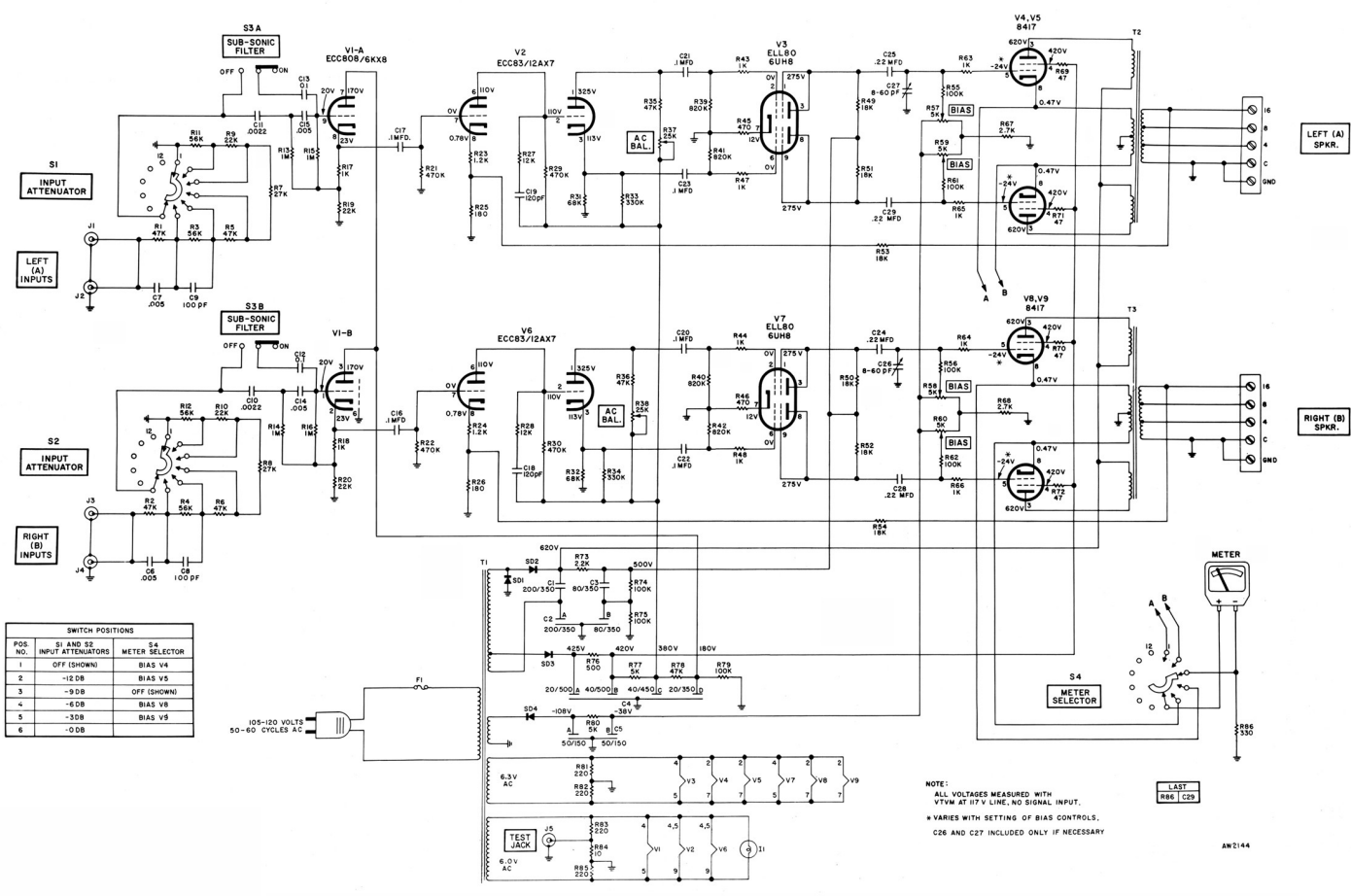


LEFT SPEAKER







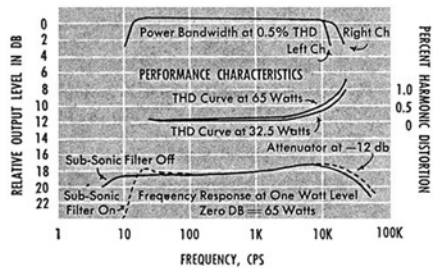
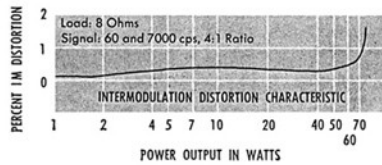


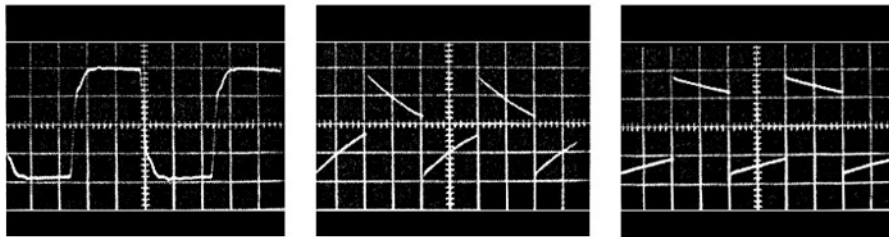
SWITCH POSITIONS		
POS. NO.	S1 AND S2 INPUT ATTENUATORS	S4 METER SELECTOR
1	OFF (SHOWN)	BIAS V4
2	-12 DB	BIAS V5
3	-9 DB	OFF (SHOWN)
4	-6 DB	BIAS V8
5	-3 DB	BIAS V9
6	-0 DB	

NOTE: ALL VOLTAGES MEASURED WITH VTVM AT I7 V LINE, NO SIGNAL INPUT.
 * VARIES WITH SETTING OF BIAS CONTROLS.
 C26 AND C27 INCLUDED ONLY IF NECESSARY.

Lab Test Data

Performance characteristic	Measurement
Power output (at 1 kc into 8-ohm load) Channels individually:	
Left at clipping	65.5 watts @ 0.15% THD
Left at 0.5% THD	75 watts
Right at clipping	65.5 watts @ 0.18% THD
Right at 0.5% THD	75 watts
Both chs simultaneously:	
Left at clipping	57.7 watts @ 0.11% THD
Right at clipping	57.7 watts @ 0.11% THD
Power bandwidth, constant 0.5% THD	l ch: 10 cps to 13 kc r ch: 10 cps to 20 kc
Harmonic distortion 65 watts output	under 0.3%, 20 cps to 4 kc; 1.3% at 20 kc
32.5 watts output	under 0.3%, 20 cps to 7 kc; 1% at 20 kc
IM distortion	under 0.5% up to 60 watts; 0.6% at 65 watts
Frequency response, 1-watt output	filter off: ± 1 db, 7 cps to 30 kc; -3 db at 52 kc filter on: -1 db at 14 cps; -9 db at 8 cps
Damping factor (8-ohm output)	13.3
Sensitivity, various attenuator positions, volts, and relative cor- responding db values	0 db 0.5 volt (0 db) -3 db 0.68 volts (-1.6 db) -6 db 0.99 volts (-5.8 db) -9 db 1.25 volts (-7.6 db) -12 db 1.86 volts (-11.4 db)
S/N ratio, at clipping	85 db





Square-wave response to 10 kc, left, and to 50 cps with subsonic filter on and off.