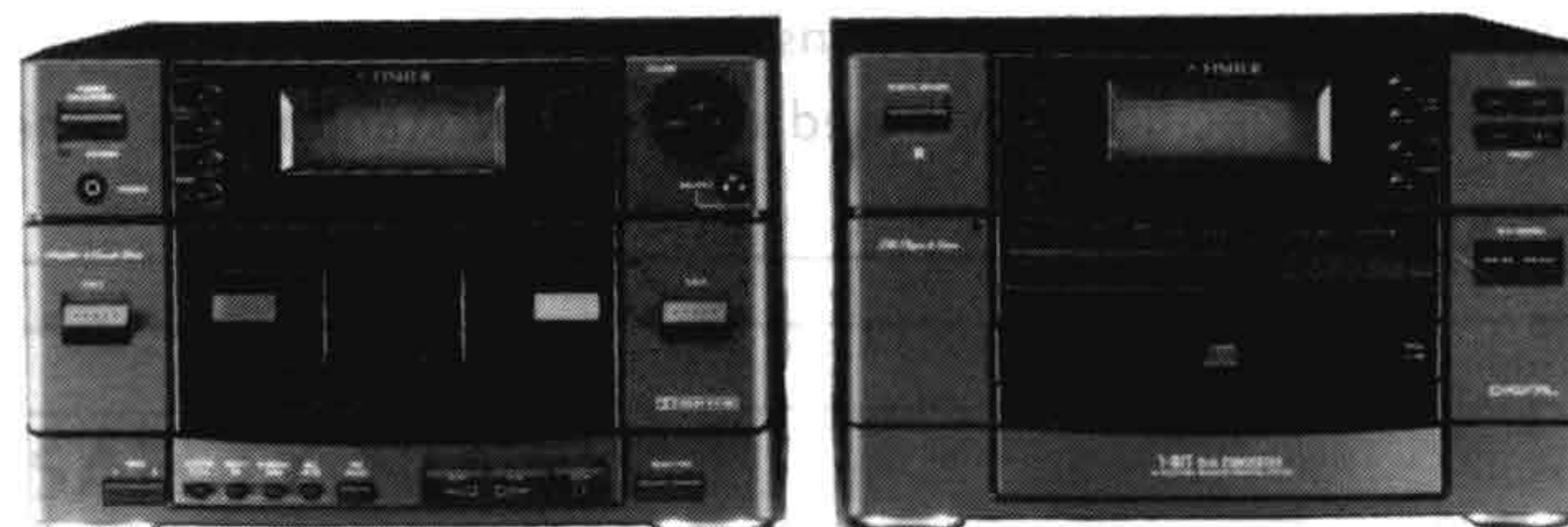




# TAD G40

(DE)


## Mini Component System



### Contents

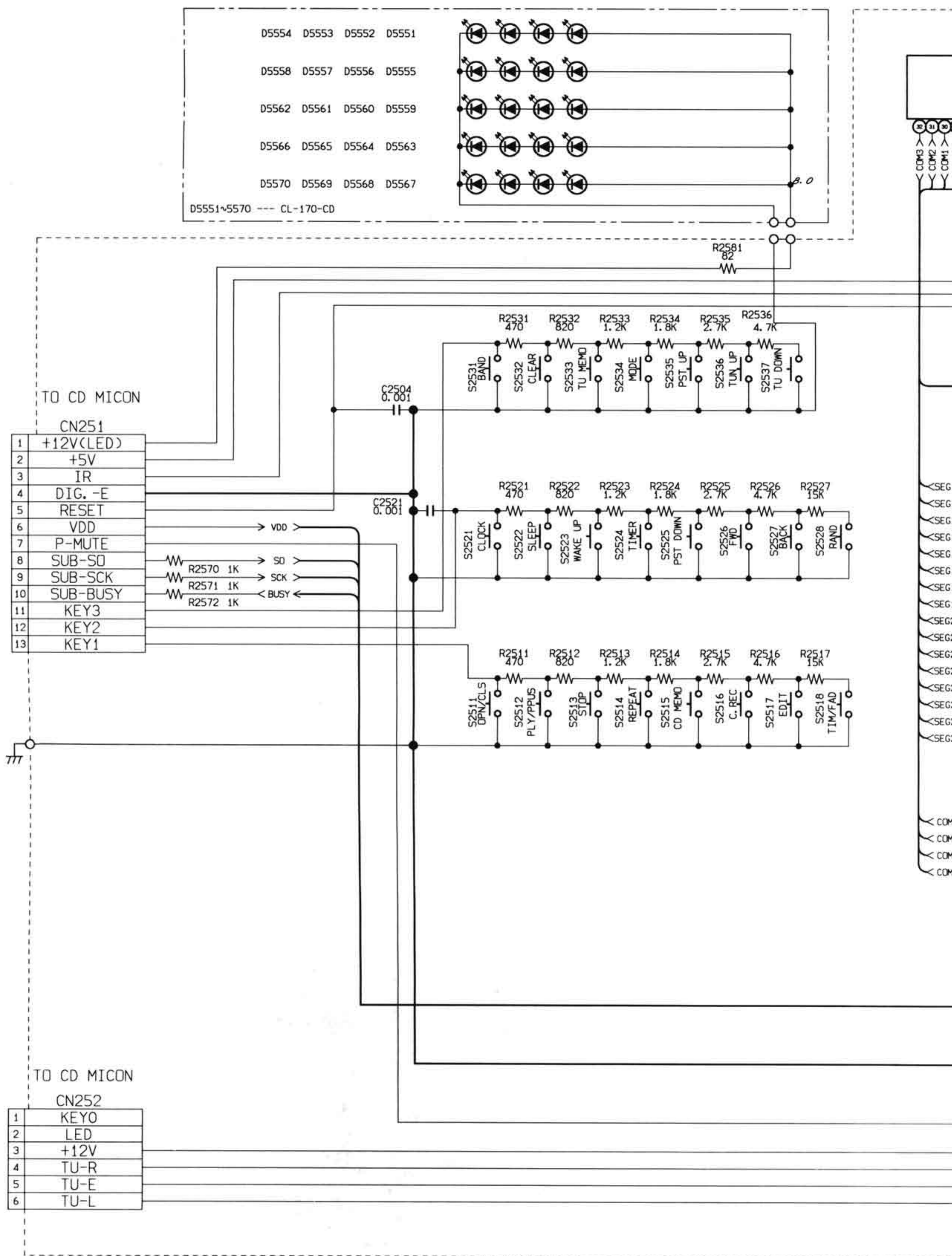
PRODUCT CODE No.  
129 404 00

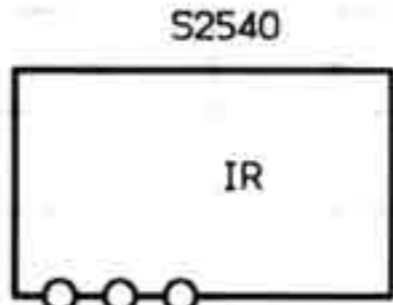
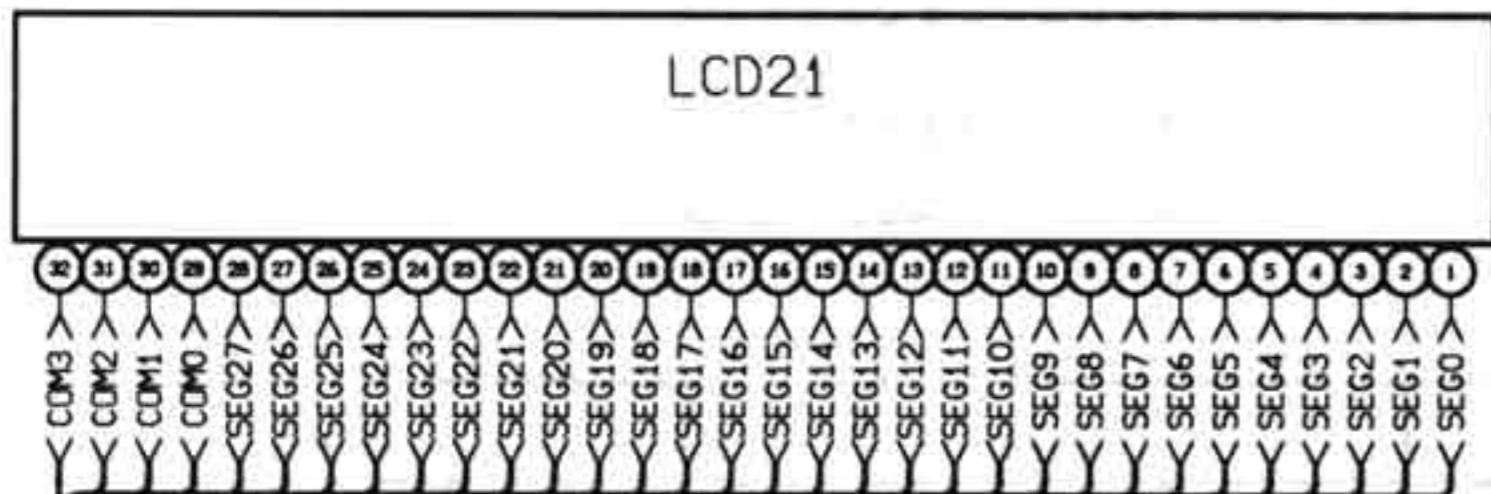
SPECIFICATION .....	1	SCHEMATIC DIAGRAM(TUNER) .....	38
SYSTEM CONNECTION .....	1	WIRING DIAGRAM(TUNER & FRONT) .....	40
OPERATING THE RESET SWITCH .....	2	BLOCK DIAGRAM(CD) .....	42
PARTS LIST(PACK & ACCESSORIES) .....	2		
PARTS LIST(REMOCON) .....	2	<b>TAPE DECK / AMPLIFIER UNIT</b>	
<b>CD / TUNER UNIT</b>		DECK ADJUSTMENT .....	43
TUNER ADJUSTMENT .....	3	EXPLODED VIEW(CABINET & CHASSIS) ....	45
LASER BEAM SAFETY PRECAUTION .....	4	PARTS LIST .....	46
CD MECHANISM REMOVAL .....	5	PARTS LIST(TAPE MECHANISM) .....	52
CD SERVICE MODE .....	9	EXPLODED VIEW(TAPE MECHANISM) .....	53
CD ADJUSTMENT .....	12	IC BLOCK DIAGRAM .....	54
PARTS LIST .....	14	LCD BLOCK DIAGRAM .....	59
EXPLODED VIEW(CABINET & CHASSIS) ....	17	SCHEMATIC DIAGRAM(TAPE DECK AMP) ....	60
EXPLODED VIEW(CD MECHANISM) .....	18	WIRING DIAGRAM(TAPE DECK AMP) .....	62
PARTS LIST(CD MECHANISM) .....	19	SCHEMATIC DIAGRAM(PRE-AMP) .....	64
IC BLOCK DIAGRAM .....	20	WIRING DIAGRAM(PRE-AMP & FRONT) .....	66
LCD BLOCK DIAGRAM .....	26	SCHEMATIC DIAGRAM(SYSCON & MAIN AMP) ..	68
CD VOLTAGE TABLE .....	27	WIRING DIAGRAM(MAIN AMP) .....	70
SCHEMATIC DIAGRAM(FRONT) .....	30	CONNECTION DIAGRAM .....	72
CONNECTION DIAGRAM .....	32	BLOCK DIAGRAM(TAPE DECK & FRONT) ....	74
SCHEMATIC DIAGRAM(CD) .....	34	BLOCK DIAGRAM(PRE & MAIN AMP) .....	75
WIRING DIAGRAM(CD) .....	36	SCHEMATIC DIAGRAM(FRONT) .....	76
		SCHEMATIC DIAGRAM(TAPE MECHANISM) ...	77

"Dolby" and the double-D symbol  are trademark of Dolby Laboratories Licensing Corporation. Dolby Noise Reduction system is manufactured under license from Dolby Laboratories Licensing Corporation.



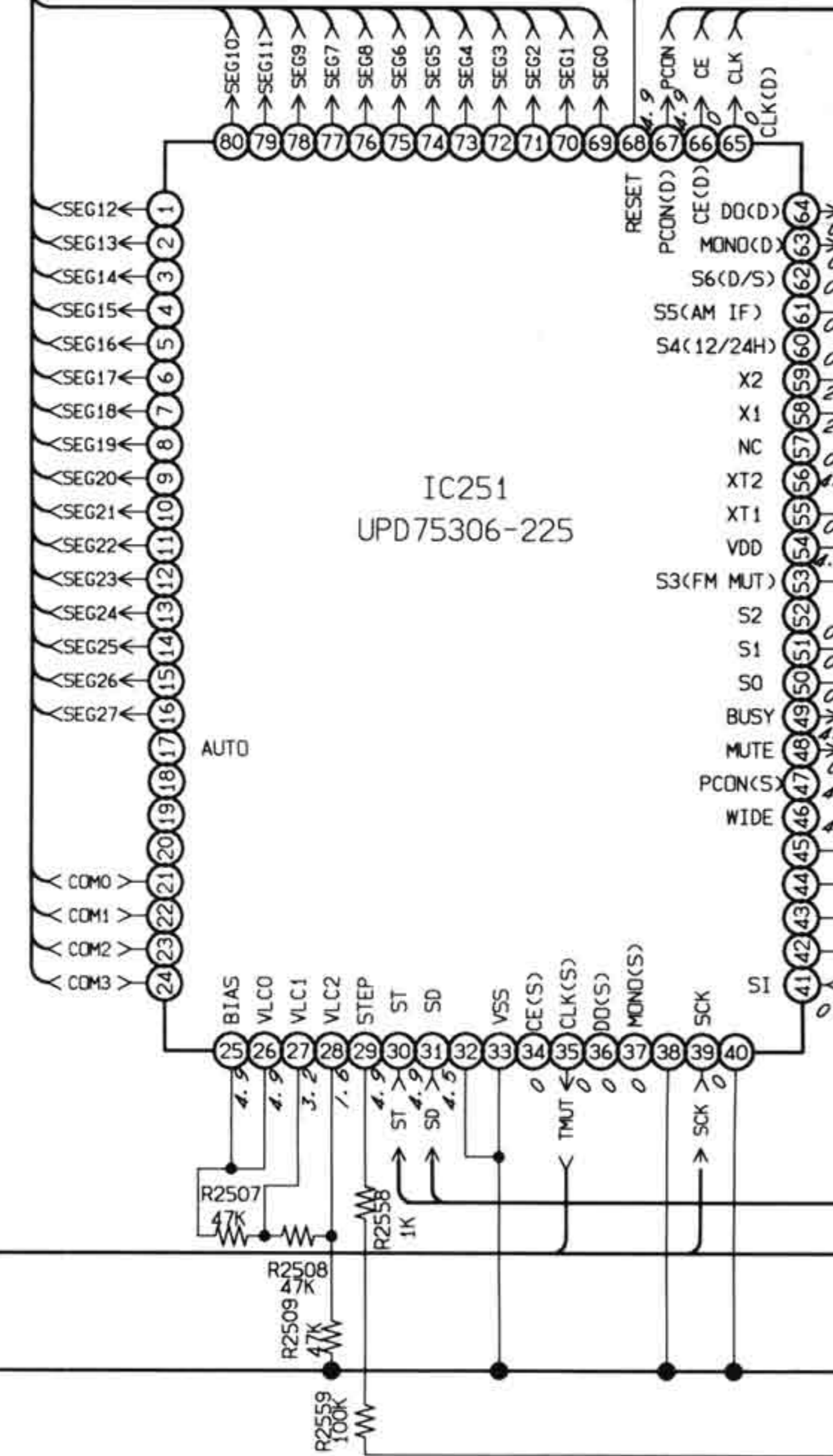
# SCHEMATIC DIAGRAM (FRONT)





C2505  
0.001

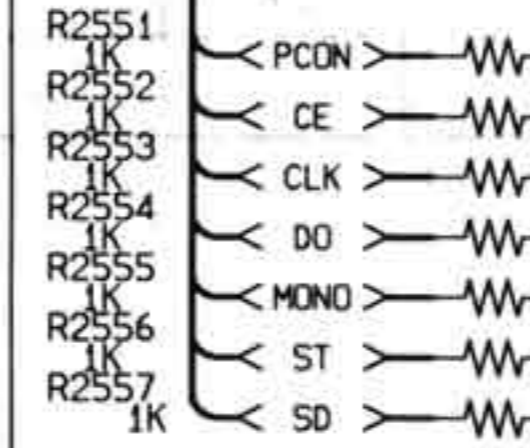
IC251  
UPD75306-225



TO TUNER

CN253

1	PCON
2	CE
3	CLK
4	DO(DATA)
5	MONO
6	ST
7	SD
8	MUTE
9	TU-L
10	TU-E
11	TU-R
12	+12V
13	STEP
14	+5V



R2510  
56K

C2501  
0.01

D2501  
DS442X

D2502  
DS442X

C2502  
100/10

L2501  
100u

R2507  
47K

R2508  
47K

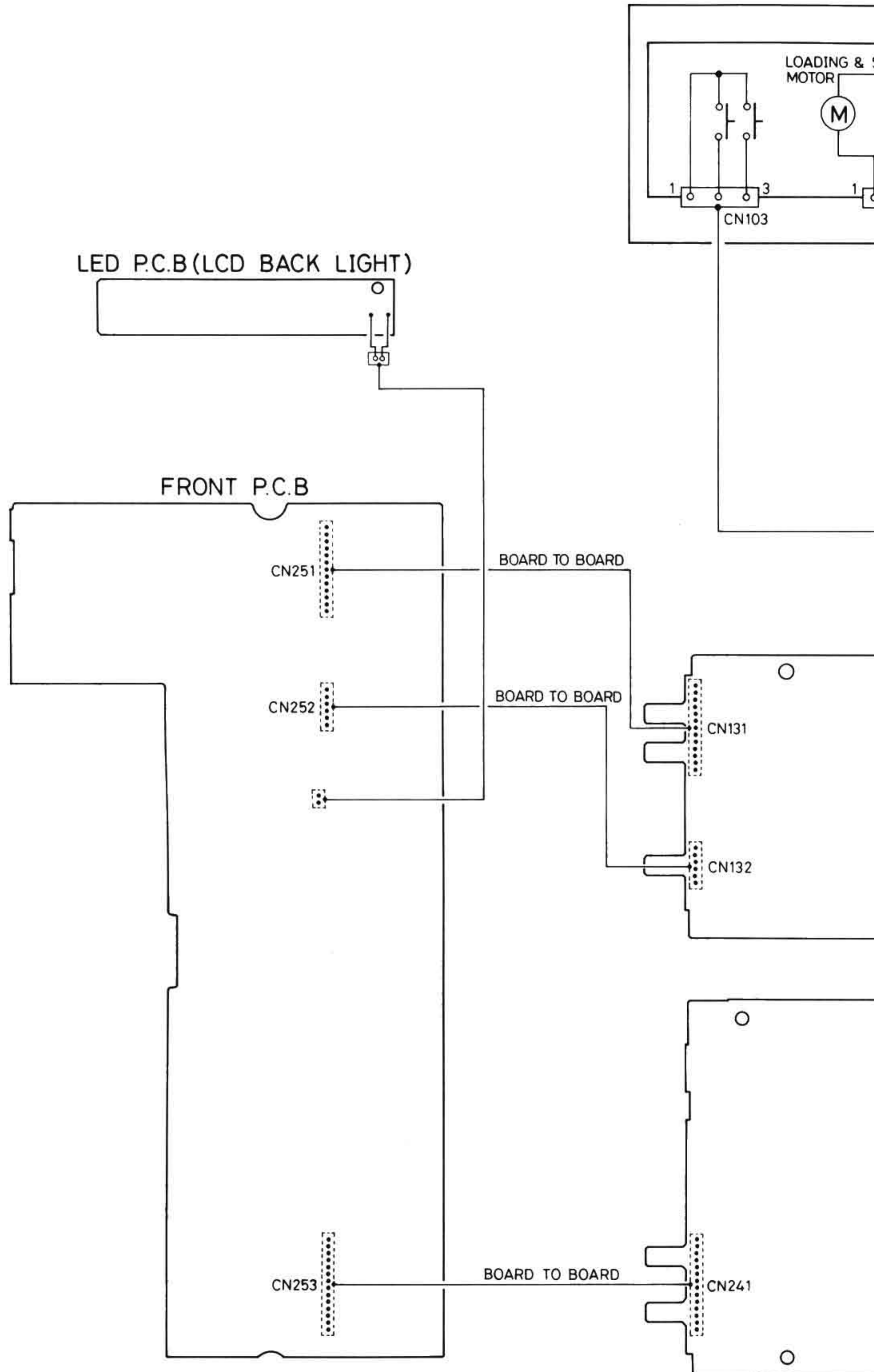
R2509  
47K

R2559  
100K

R2558  
1K

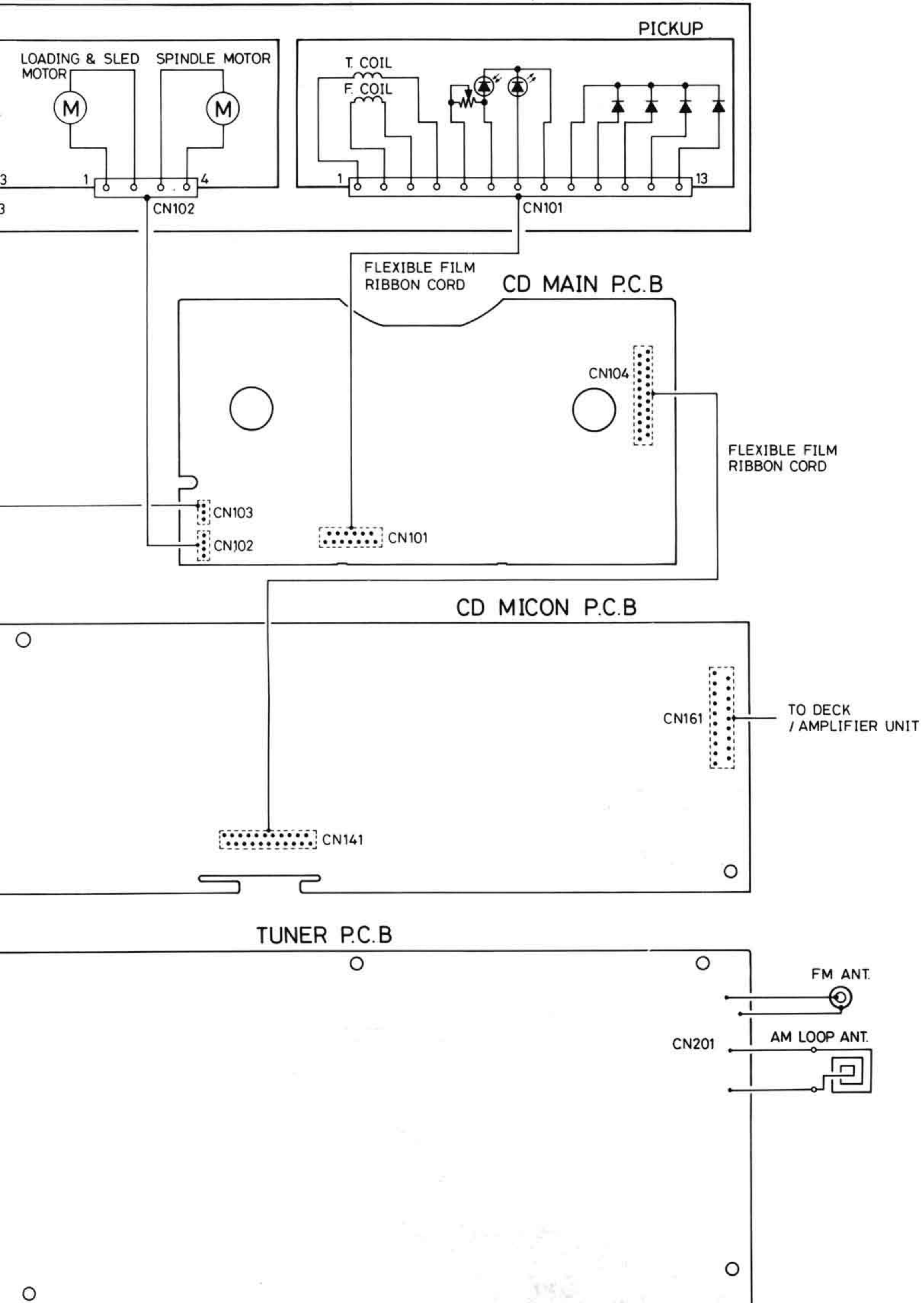
VDD

# WIRING CONNECTION (TUNER / CD UNIT)

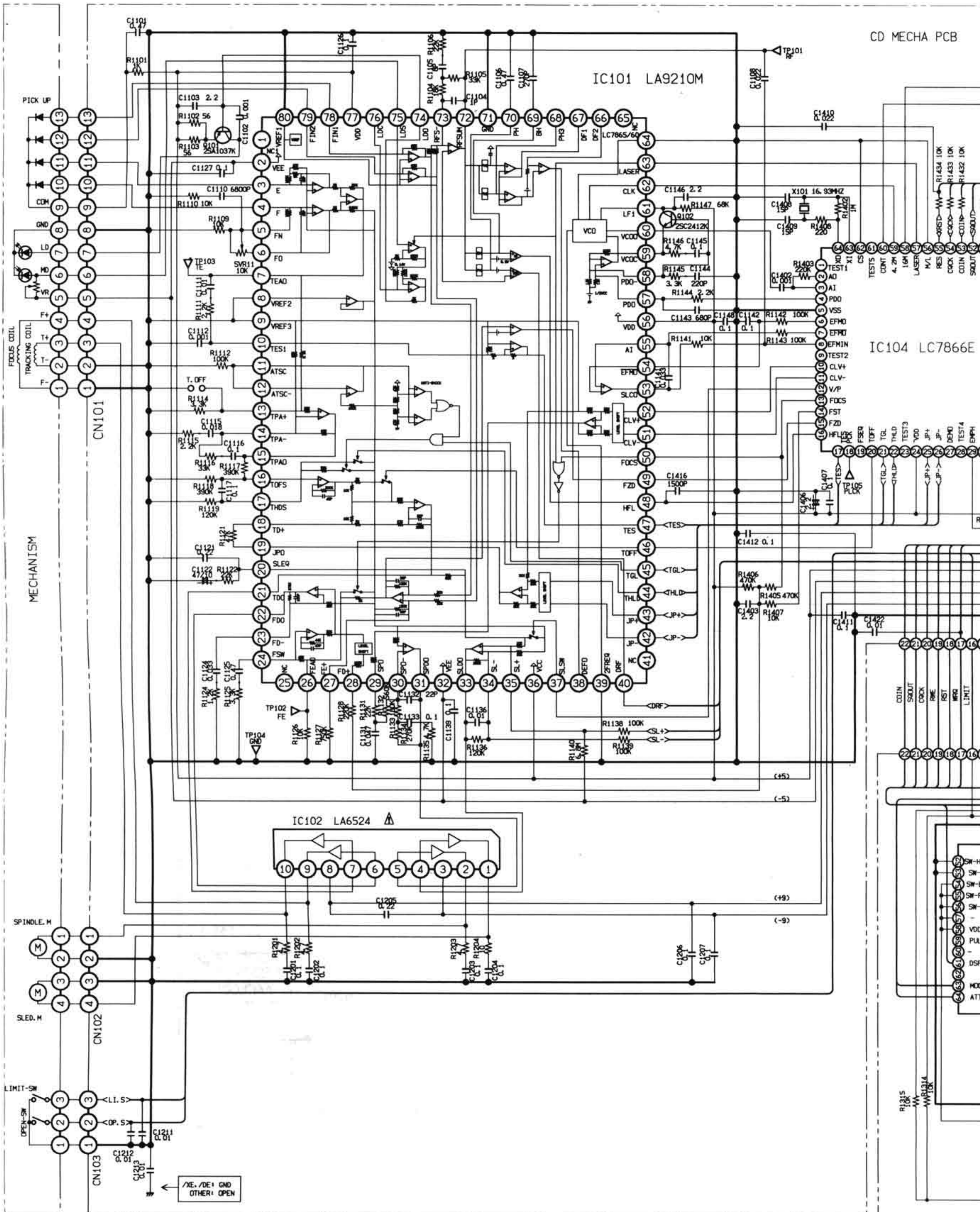




# CD MECHANISM (PM-DAD EX22S/SP)



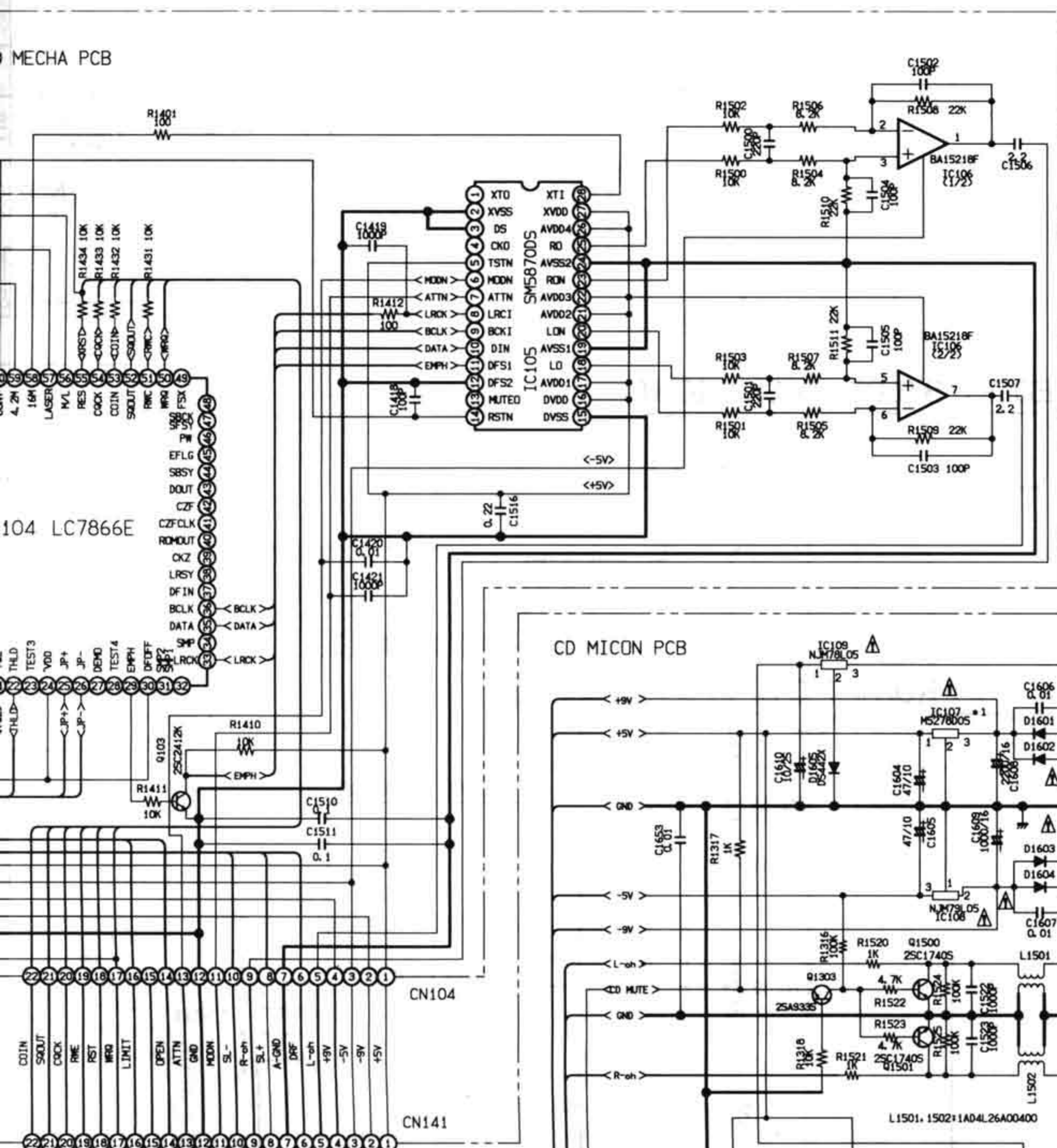
# SCHEMATIC DIAGRAM (CD)



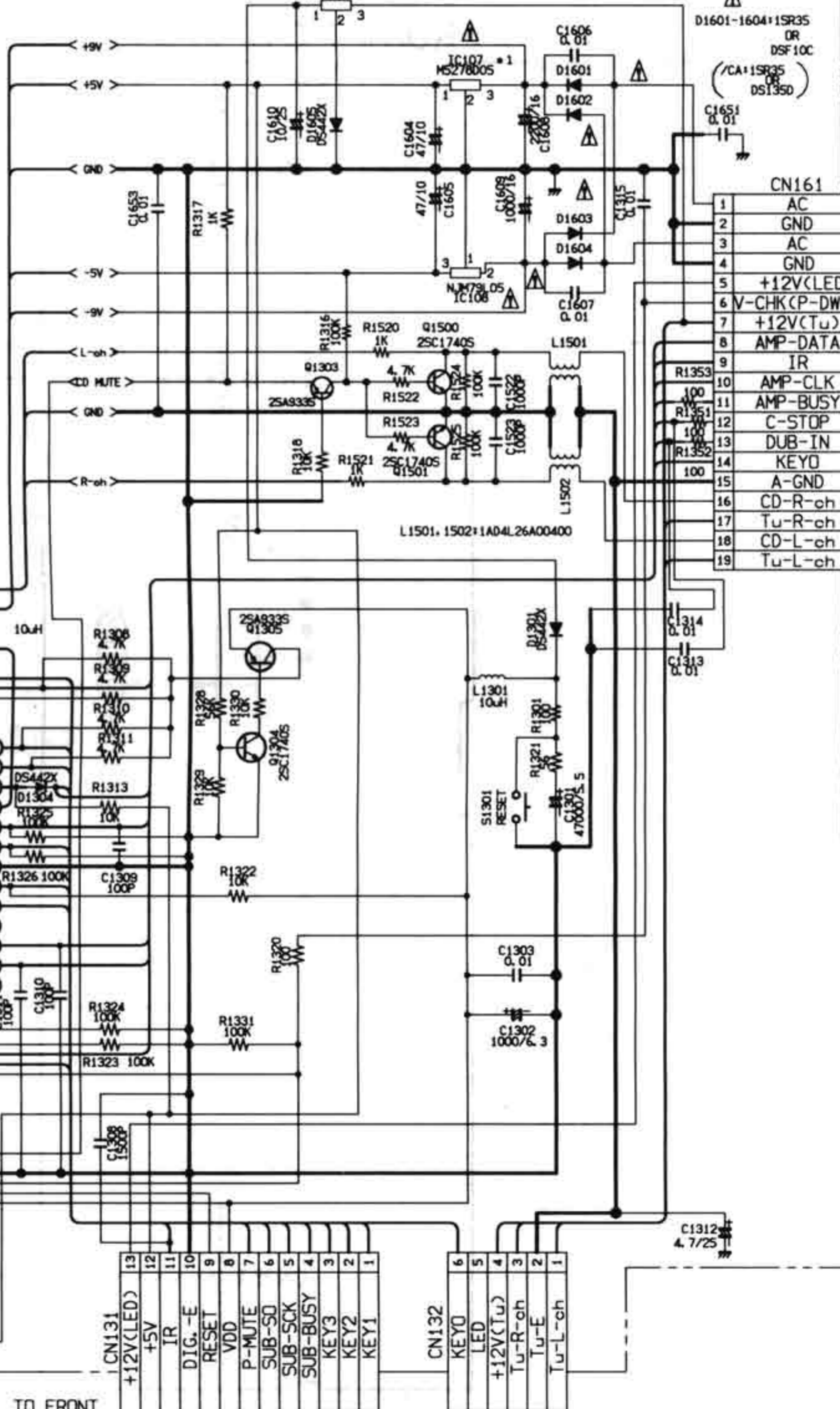


MECHA PCB

104 LC7866E



CD MICON PCB



TO AMP DECK BLOCK

TO FRONT

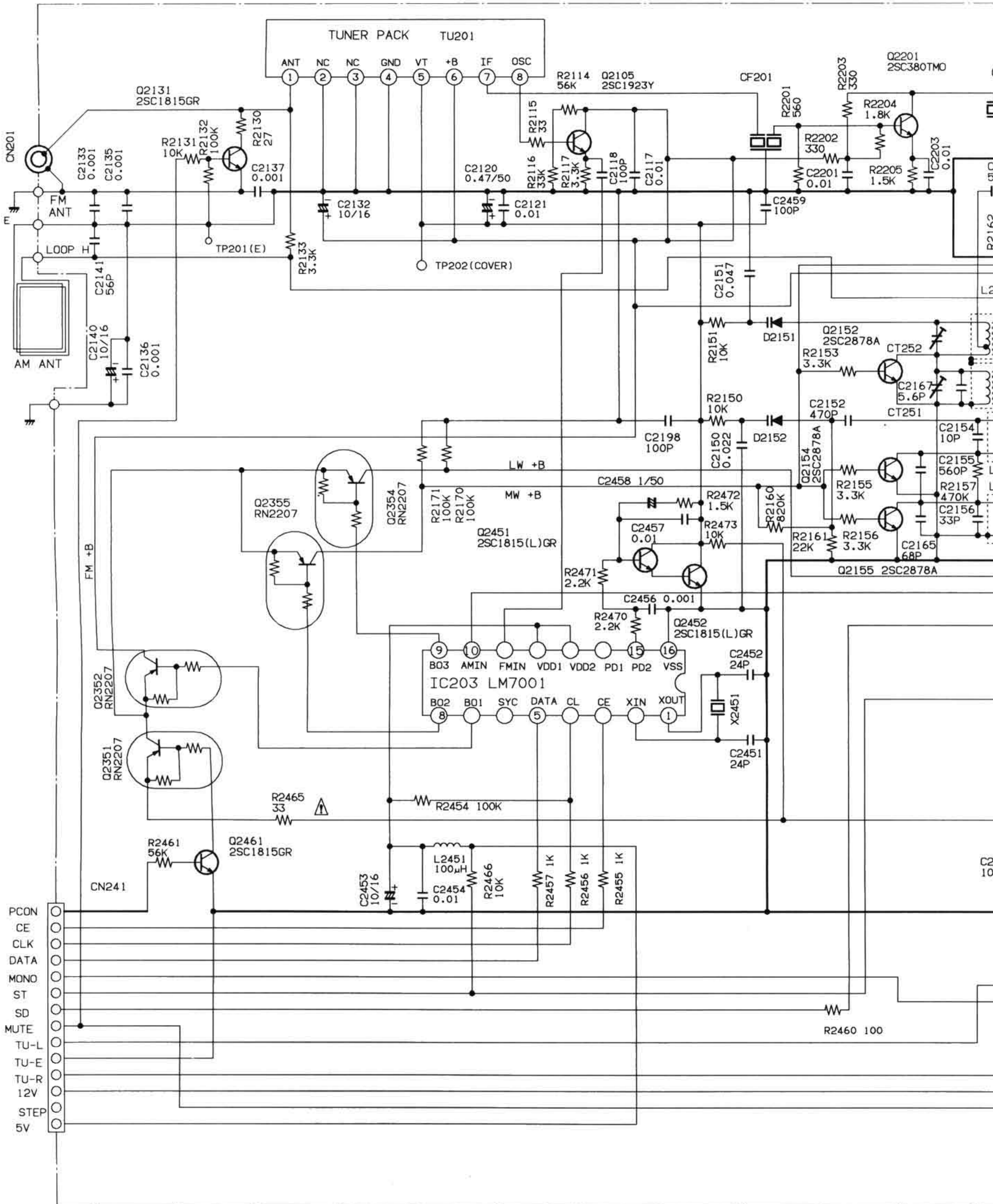
CN131	13	+12V(LED)
	12	+5V
	11	IR
	10	DIG. -E
	9	RESET
	8	VDD
	7	P-MUTE
	6	SUB-SO
	5	SUB-SCK
	4	SUB-BUSY
	3	KEY3
	2	KEY2
	1	KEY1

CN132	6	KEY0
	5	LED
	4	+12V(Tu)
	3	Tu-R-ch
	2	Tu-E
	1	Tu-L-ch

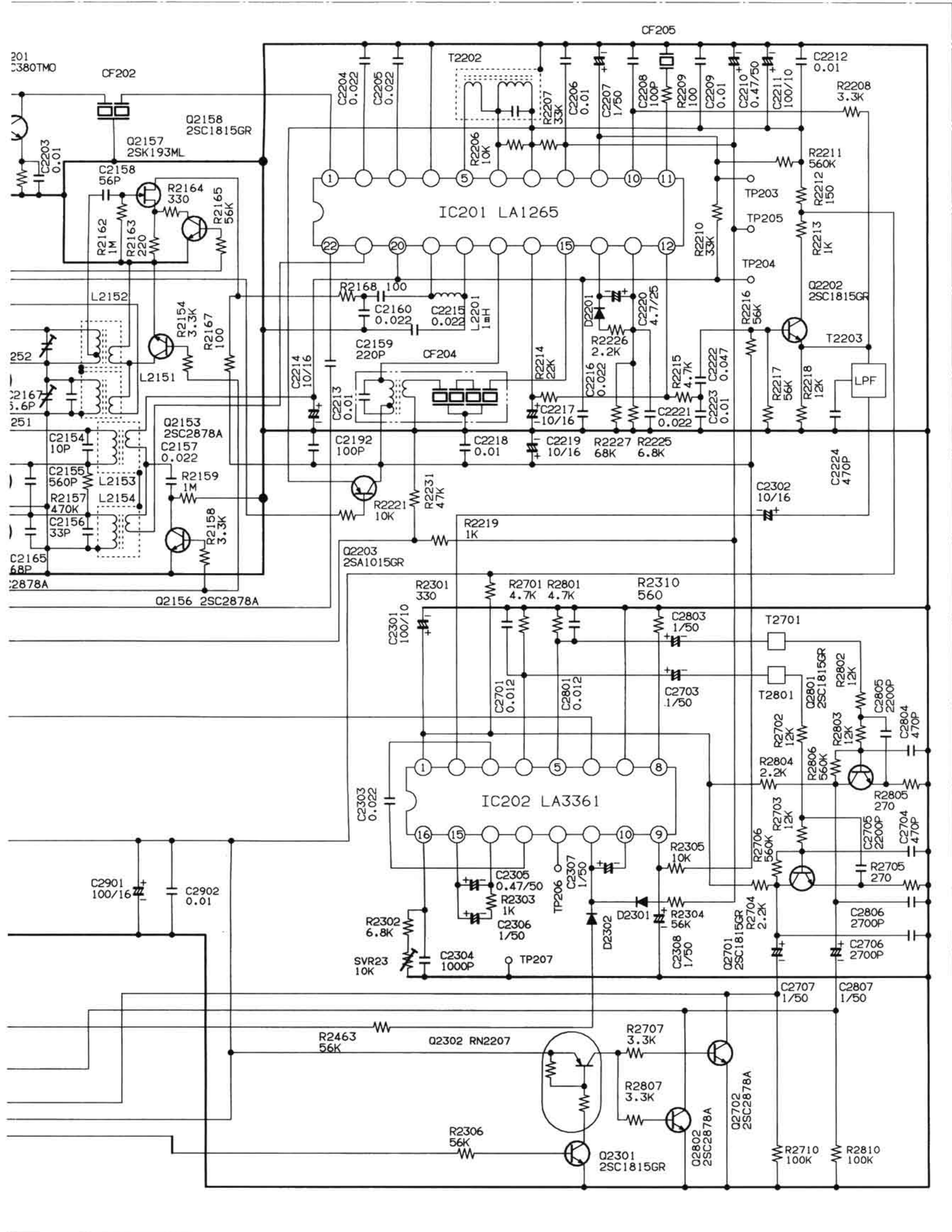
CN161	1	AC
	2	GND
	3	AC
	4	GND
	5	+12V(LED)
	6	V-CHK(P-DWN)
	7	+12V(Tu)
	8	AMP-DATA
	9	IR
	10	AMP-CLK
	11	AMP-BUSY
	12	C-STOP
	13	DUB-IN
	14	KEY0
	15	A-GND
	16	CD-R-ch
	17	Tu-R-ch
	18	CD-L-ch
	19	Tu-L-ch



# SCHEMATIC DIAGRAM (TUNER)







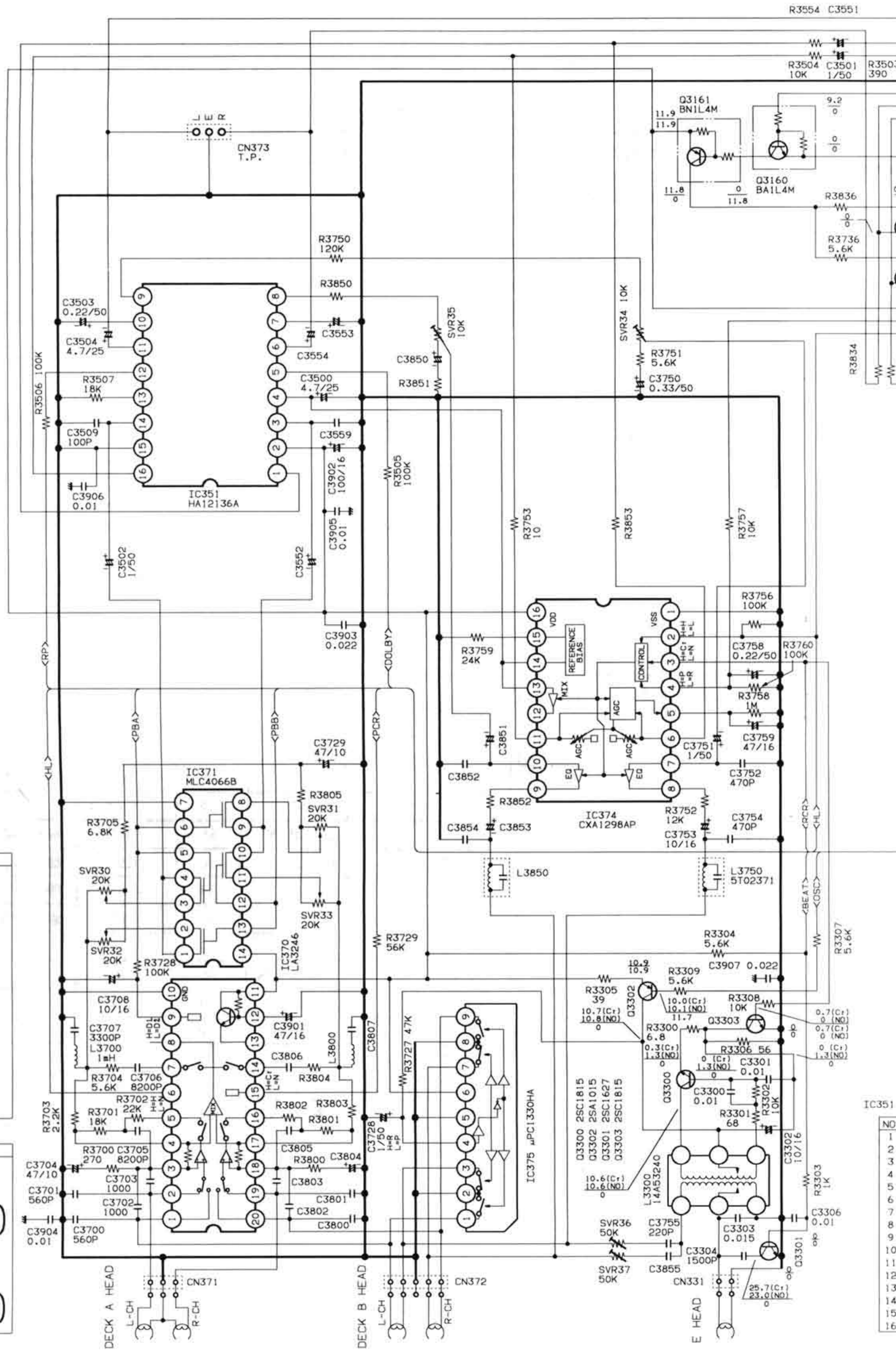






# SCHEMATIC DIAGRAM (TAPE DECK AMPLIFIER)

R3554 C3551



IC370

NO.	PLAY	REC	OTHER
1	0	0	
2	0	0	
3	0.58	0.56	
4	5.3	5.3	
5	5.3	5.3	
6	0	0	5.5 (HIDUB)
7	0	0	
8	5.2	5.2	6.7 (DECK 1 PLAY)
9	0	0	
10	0	0	
11	11.9	11.9	
12	11.8	11.8	
13	11.0	11.0	
14	0	0	
15	0.60	0.60	5.5 (CRO2)
16	5.1	5.1	
17	5.1	5.1	
18	0.56	0.56	
19	0	0	
20	0	0	

IC371

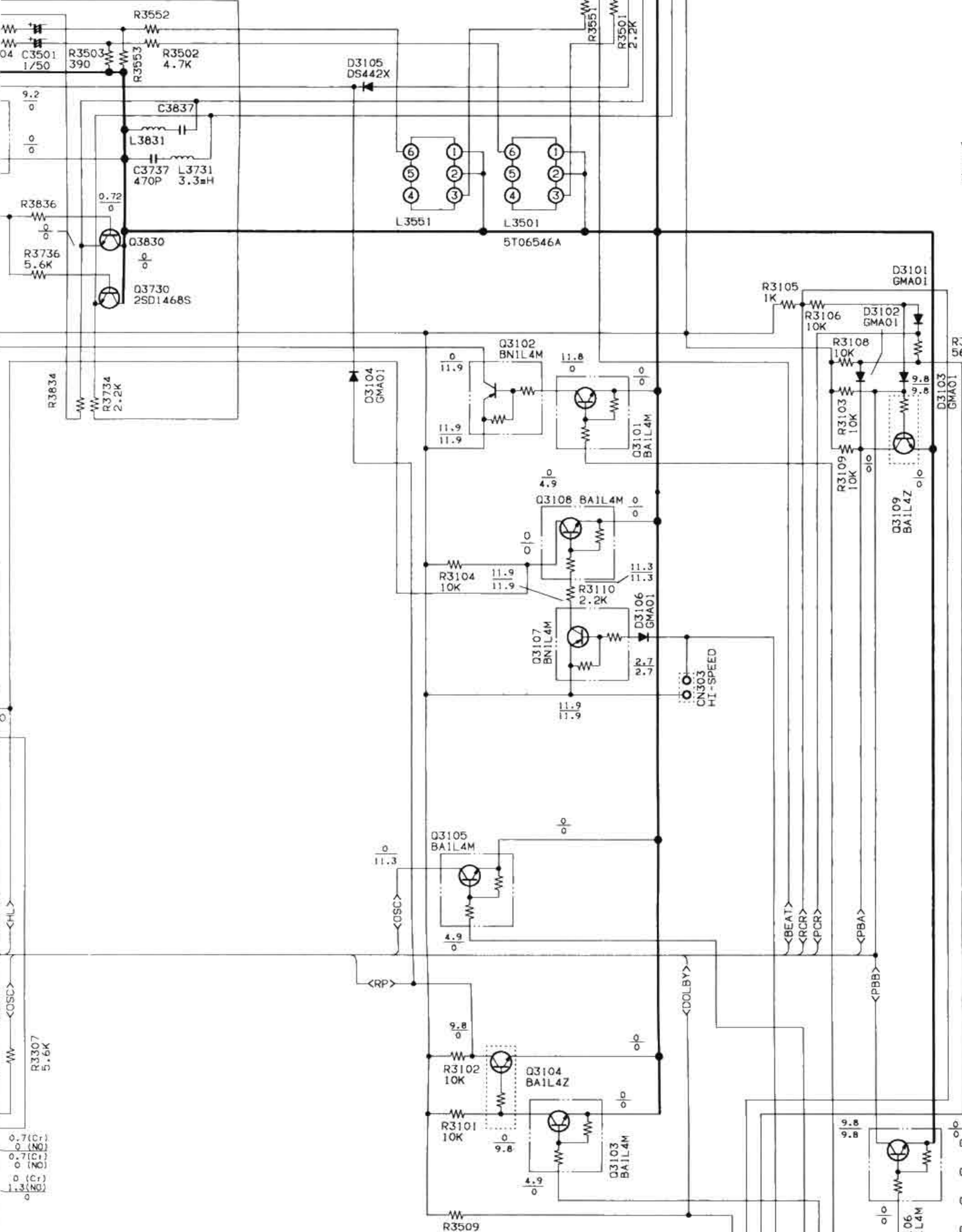
NO.	PLAY	REC	OTHER
1	5.2	5.2	
2	5.2	5.2	
3	5.2	5.2	
4	5.2	5.2	
5	0	0	11.4 (DECK 1)
6	0	0	11.4 (PLAY)
7	0	0	
8	5.2	5.2	
9	5.2	5.2	
10	5.2	5.2	
11	5.2	5.2	
12	9.8	9.8	0 (DECK 1)
13	9.8	9.8	0 (PLAY)
14	11.9	11.9	

IC351

NO.
1
2
3
4
5
6
7
8
9
10
11
12
13
14
15
16



54 C3551



VOLTAGE (V)  
DECK B REC  
DECK B PLAY

IC351

NO.	PLAY	REC	OTHER
1	6.0	6.0	
2	11.9	11.9	
3	6.0	6.0	
4	6.0	6.0	
5	11.9	11.9	0 (DOLBY ON)
6	6.1	6.1	
7	0.4	0.4	
8	6.1	6.1	
9	6.1	6.1	
10	0.4	0.4	
11	6.1	6.1	
12	11.7	0	
13	1.2	1.2	
14	6.0	6.0	
15	0	0	
16	6.0	6.0	

IC374

NO.	PLAY	REC	OTHER
1	0	0	
2	0	0	7.2 (HIDUB)
3	0	0	10.7 (CRO2)
4	10.8	0	
5	0	0	0.70 (ALC DOING)
6	6.0	6.0	
7	6.0	6.0	
8	5.8	5.8	
9	5.8	5.7	
10	6.0	6.0	
11	6.0	6.0	
12	6.1	6.1	
13	6.0	6.0	
14	6.0	6.0	
15	1.2	1.2	
16	11.9	11.9	

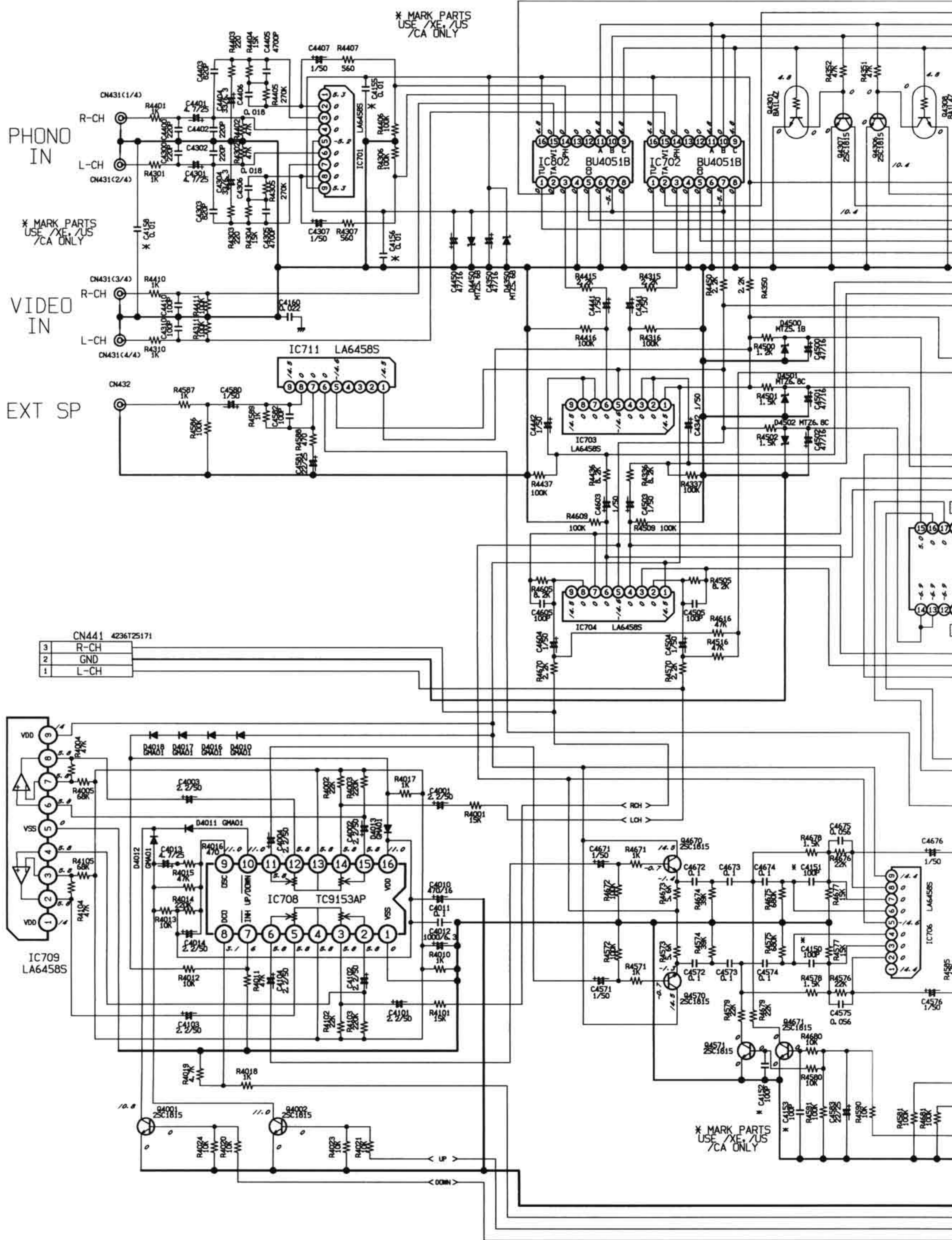
IC375

NO.	PLAY	REC
1	0	0
2	0	0
3	0	0
4	0	7.4
5	0	0
6	11.9	11.9
7	0	0
8	0	0
9	0	0

- COMMON USE
- Q3300 2SC1815+r2SC945
- Q3303 2SC1815+r2SC945+r2SC1740S
- Q3302 2SA1015+r2SA733
- Q3101 3103 3105 3106 3108 3160
- DTC144ES+rRN1204+rBAIL4M
- Q3102 3107 3161
- DTA144ES+rRN2204+rBN1L4M
- Q3104 3109
- DTC144TS+rBAIL4Z
- D3101 3102 3103 3104 3106 GMA01+rISS133
- D3105 DS442X+rIS2473
- IC371 MLC4066B+rTC4066BP+rBU4066B+rPD4066BC
- IC351 HA12136A+rHA12136A



# SCHEMATIC DIAGRAM (PRE-AMPLIFIER)



PHONO IN  
R-CH  
L-CH

VIDEO IN  
R-CH  
L-CH

EXT SP

CN441 4236T25171

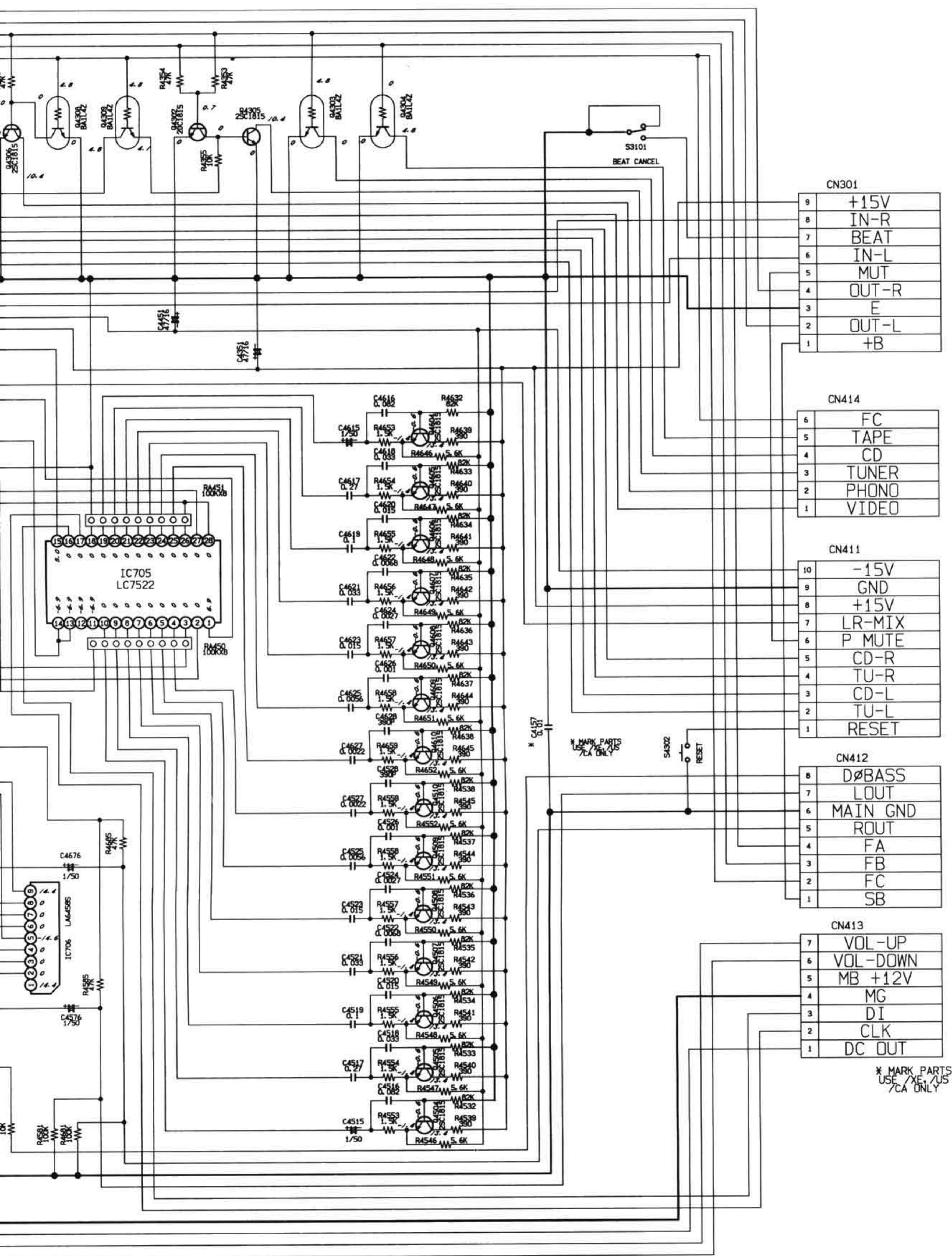
3	R-CH
2	GND
1	L-CH

\* MARK PARTS  
USE /XE, /US  
/CA ONLY

\* MARK PARTS  
USE /XE, /US  
/CA ONLY

\* MARK PARTS  
USE /XE, /US  
/CA ONLY





CN301

9	+15V
8	IN-R
7	BEAT
6	IN-L
5	MUT
4	OUT-R
3	E
2	OUT-L
1	+B

CN414

6	FC
5	TAPE
4	CD
3	TUNER
2	PHONO
1	VIDEO

CN411

10	-15V
9	GND
8	+15V
7	LR-MIX
6	P MUTE
5	CD-R
4	TU-R
3	CD-L
2	TU-L
1	RESET

CN412

8	DØBASS
7	LOUT
6	MAIN GND
5	ROUT
4	FA
3	FB
2	FC
1	SB

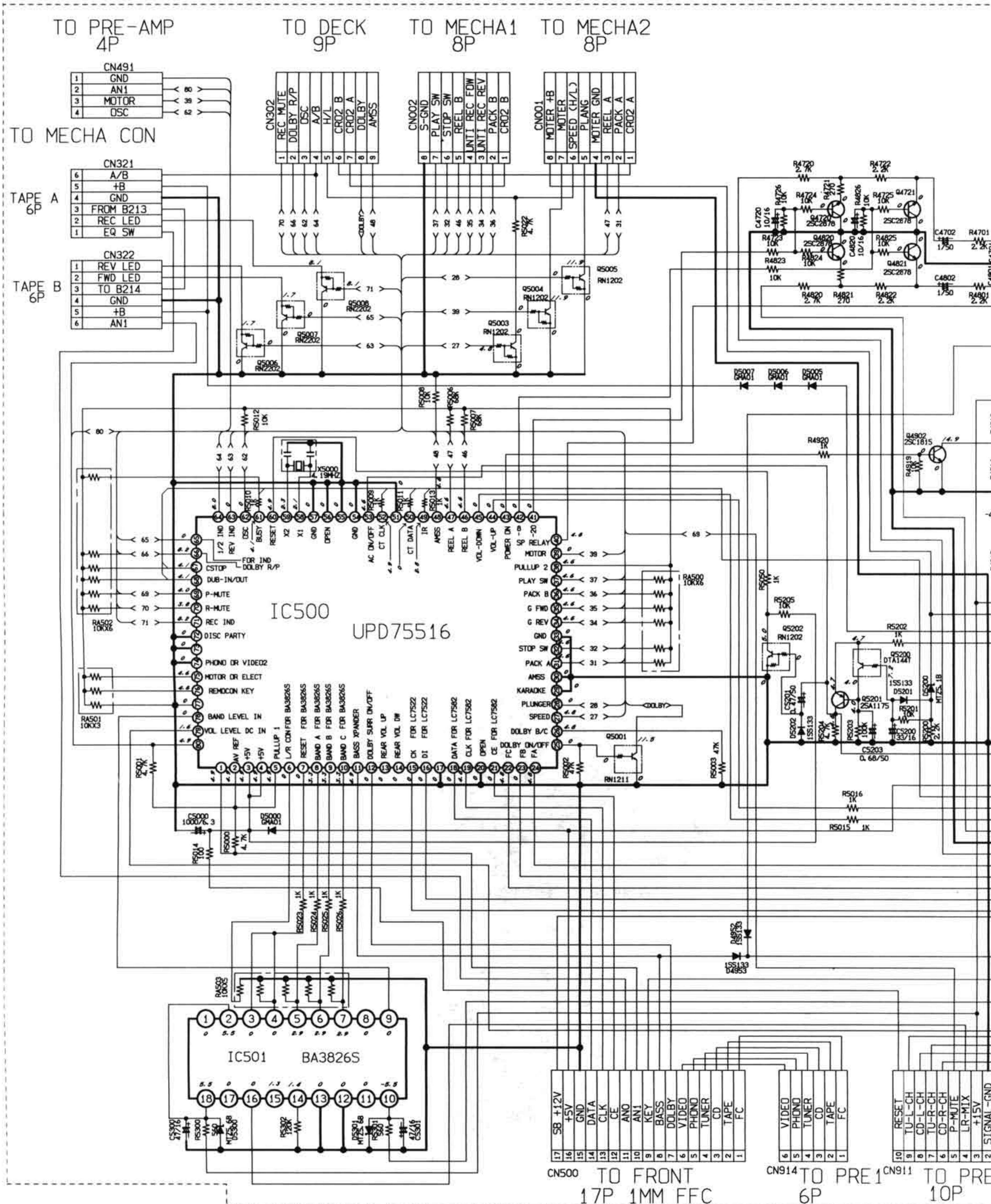
CN413

7	VOL-UP
6	VOL-DOWN
5	MB +12V
4	MG
3	DI
2	CLK
1	DC OUT

\* MARK PARTS  
USE /XE, /US  
/CA ONLY



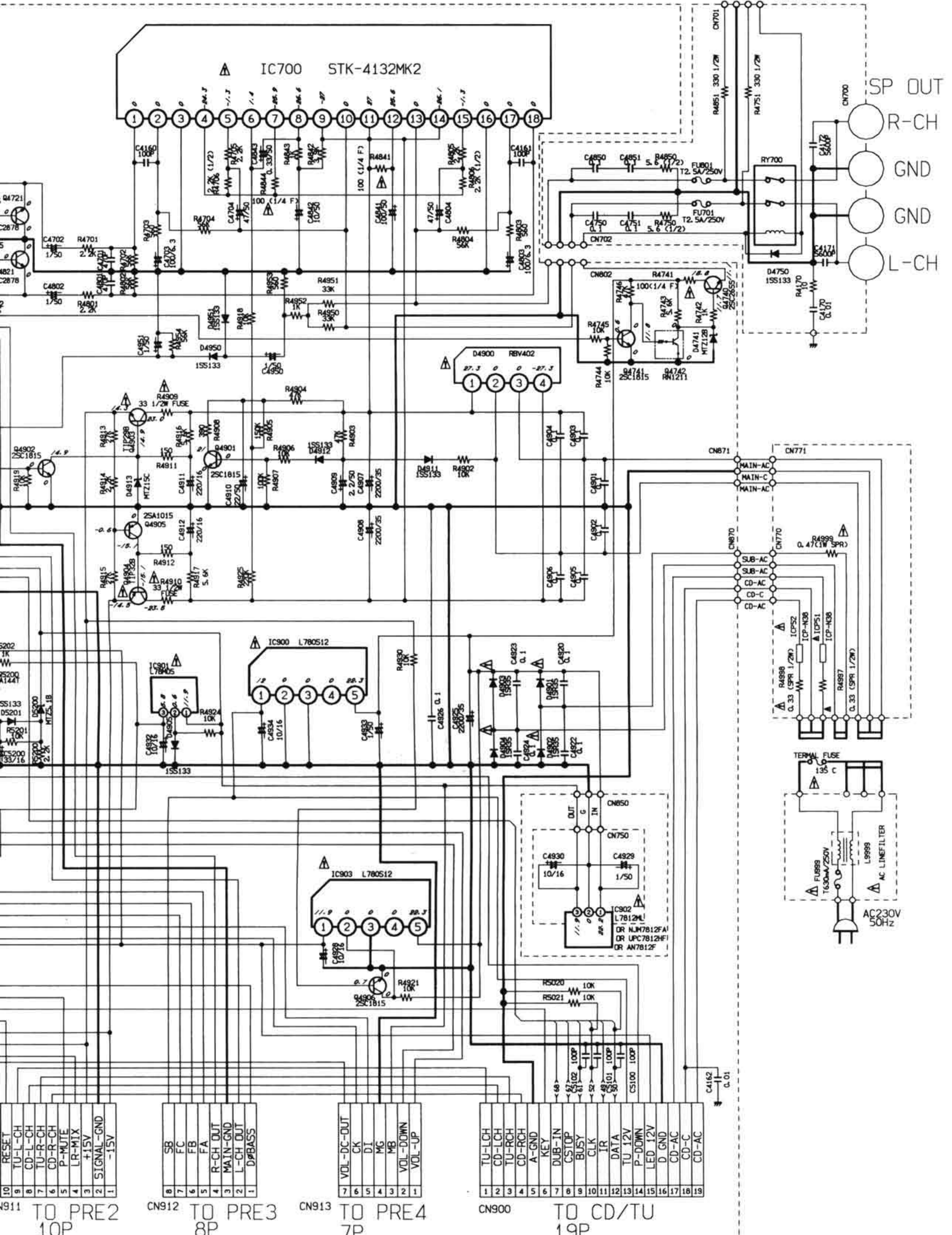
# SCHEMATIC DIAGRAM (SYSCON & POWER AMPLIFIER)





TO FRONT PCB

TO H.P. SOCKET



SP OUT  
R-CH  
GND  
GND  
L-CH

10 RESET  
9 TU-L-CH  
8 CD-L-CH  
7 TU-R-CH  
6 CD-R-CH  
5 P-MUTE  
4 LR-MIX  
3 SIGNAL-GND  
2 +15V  
1 -15V

8 SB  
7 FC  
6 FB  
5 FA  
4 R-CH OUT  
3 MAIN-GND  
2 L-CH OUT  
1 D/BASS

7 VOL-DC-OUT  
6 CK  
5 DI  
4 MG  
3 MB  
2 VOL-DOWN  
1 VOL-UP

1 TU-L-CH  
2 CD-L-CH  
3 TU-R-CH  
4 CD-R-CH  
5 A-GND  
6 KEY  
7 DUB-IN  
8 CSTOP  
9 BUSY  
10 CLK  
11 IR  
12 DATA  
13 TU 12V  
14 P-DOWN  
15 LED 12V  
16 D GND  
17 CD-AC  
18 CD-C  
19 CD-AC

CN911 TO PRE2 10P

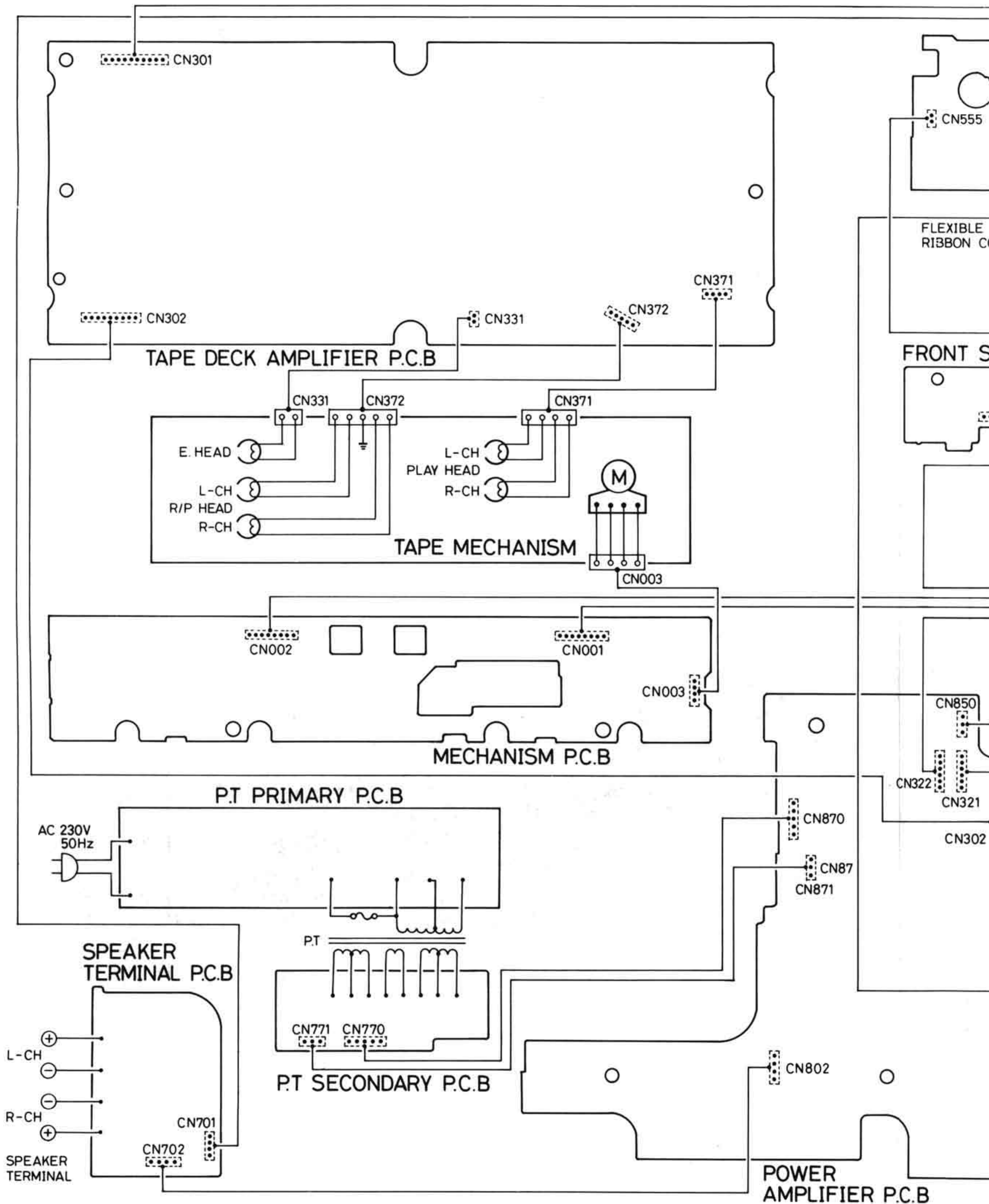
CN912 TO PRE3 8P

CN913 TO PRE4 7P

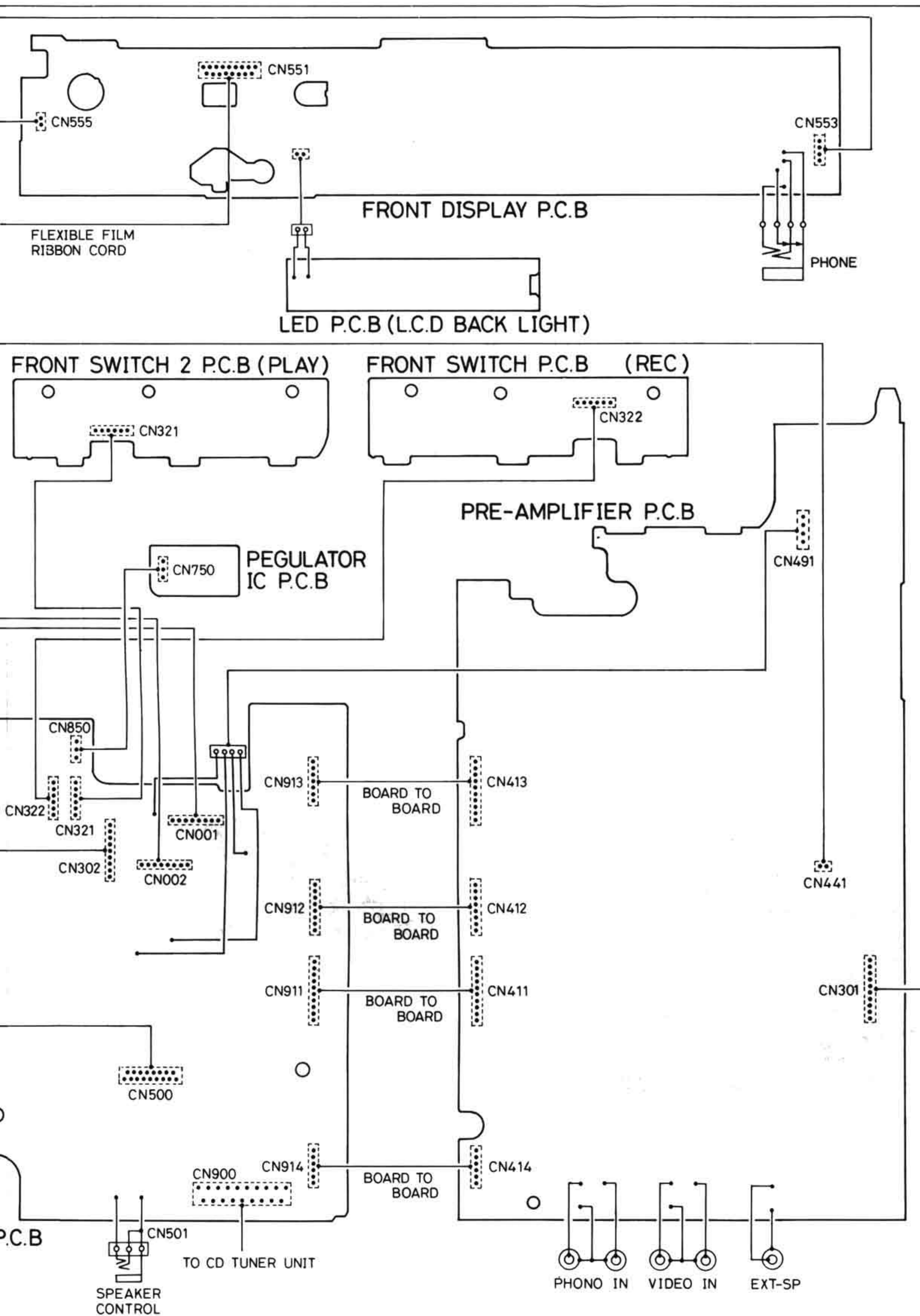
CN900 TO CD/TU 19P



# WIRING CONNECTION (TAPE DECK / AMPLIFIER UNIT)

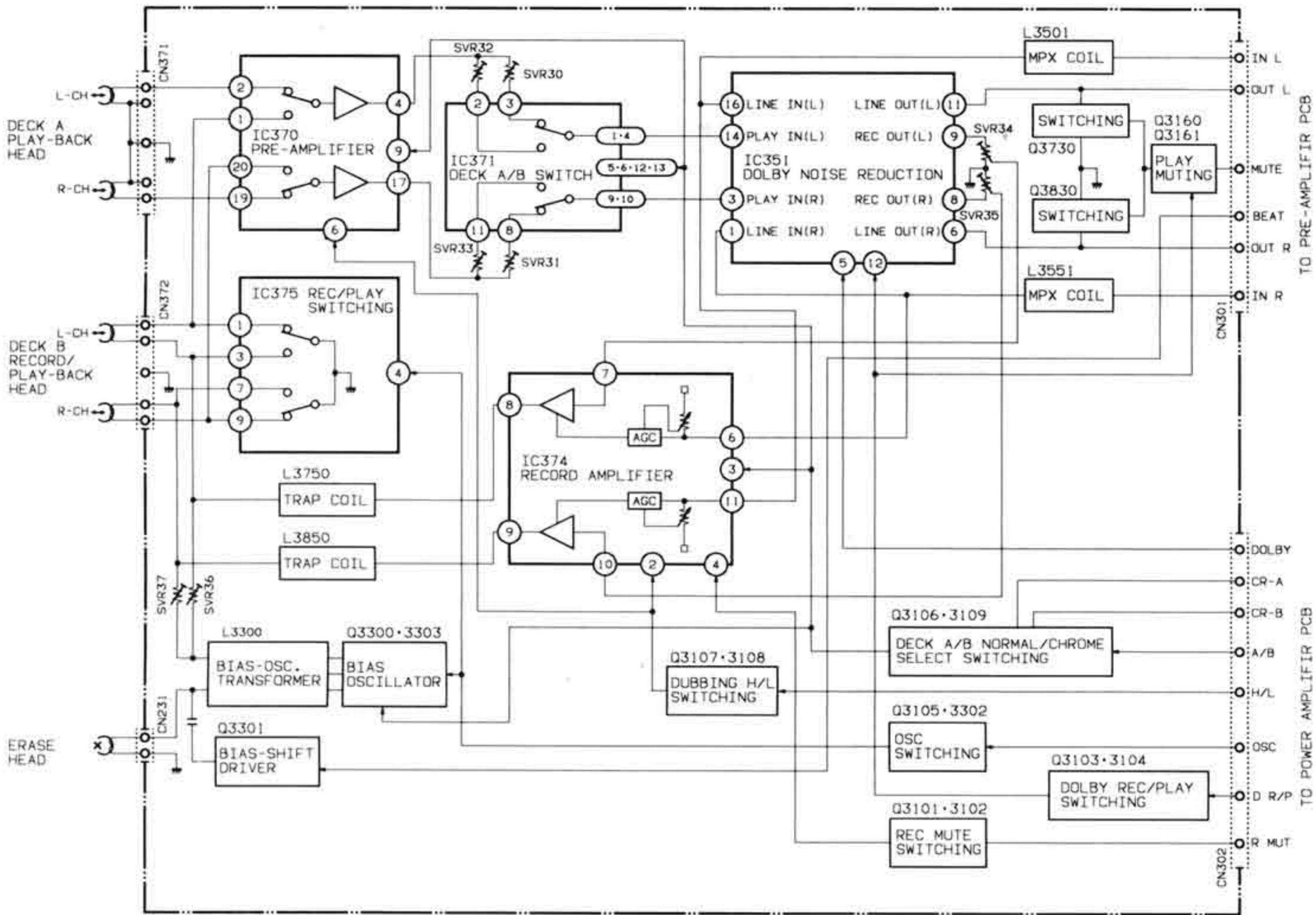




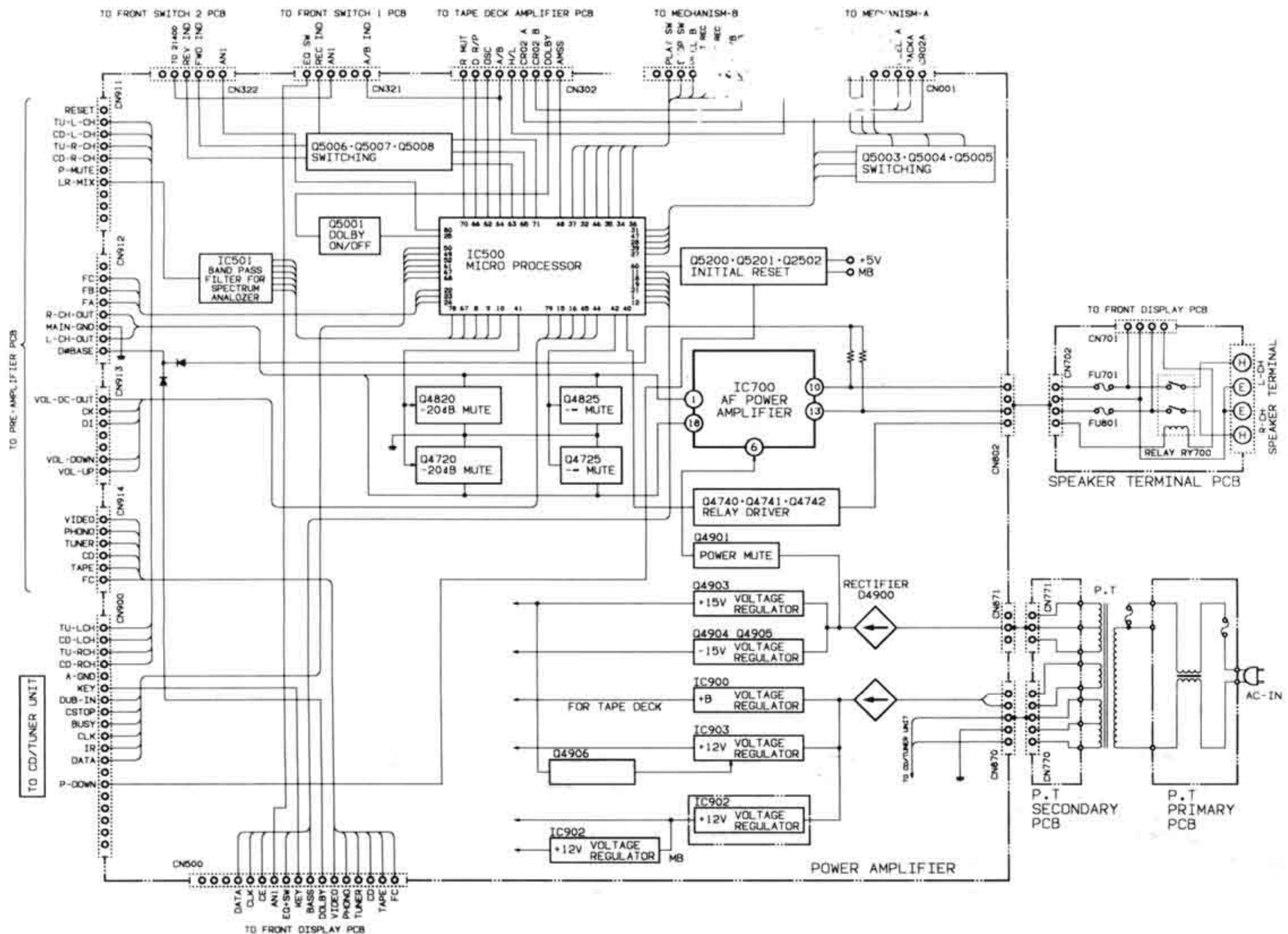




# BLOCK DIAGRAM (TAPE DECK AMPLIFIER)

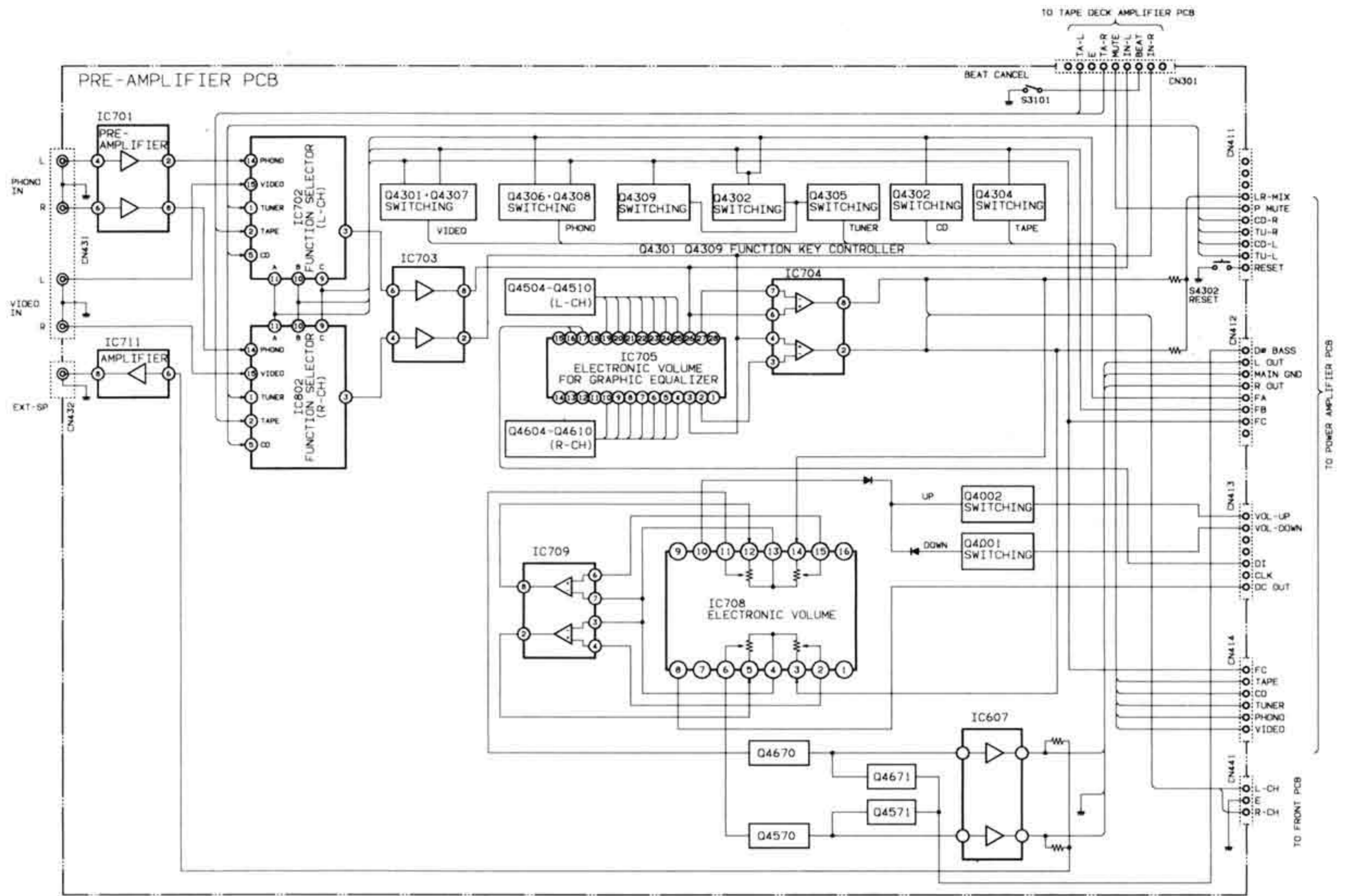


# BLOCK DIAGRAM (FRONT)

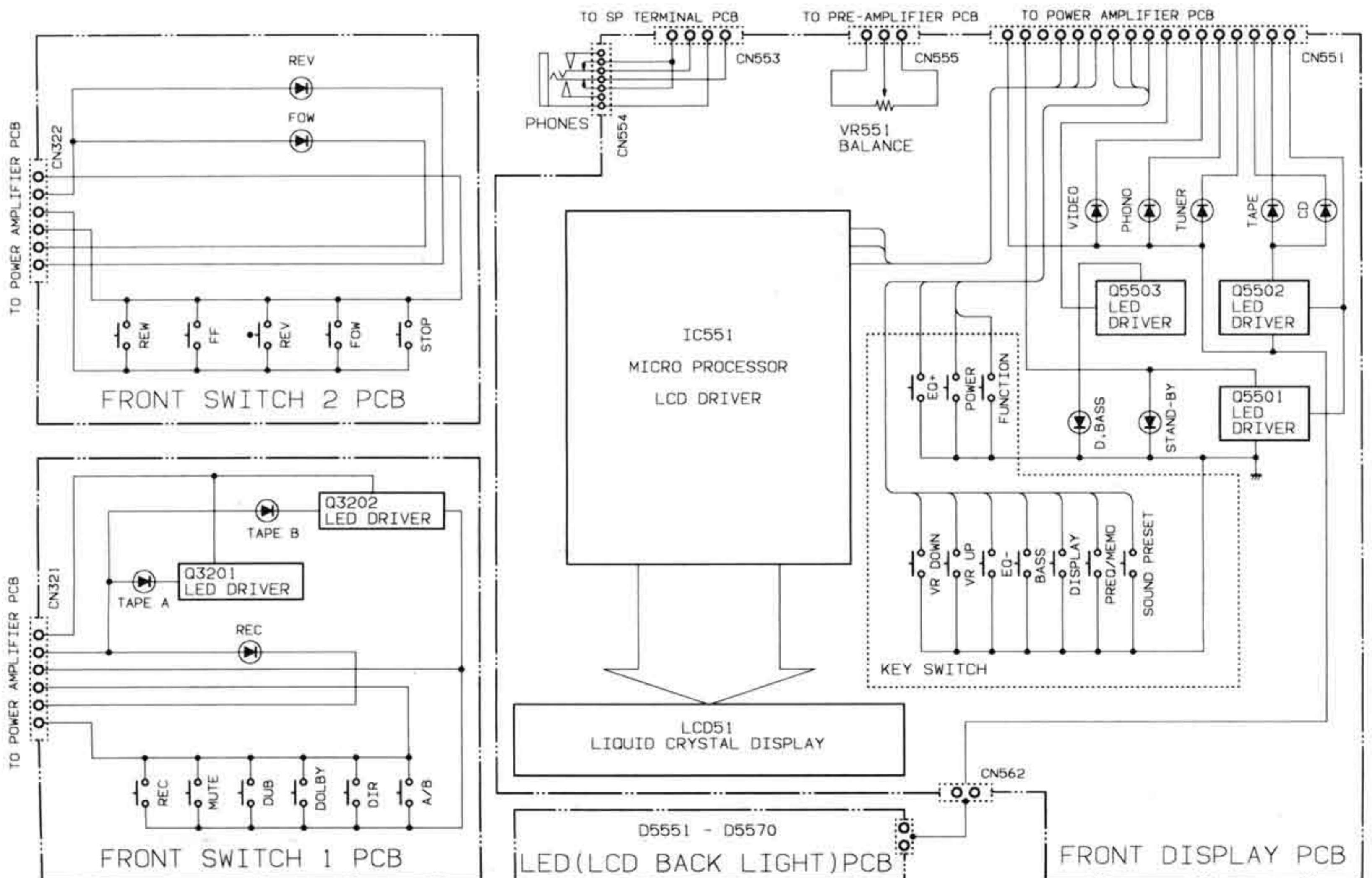




# BLOCK DIAGRAM (PRE-AMPLIFIER)

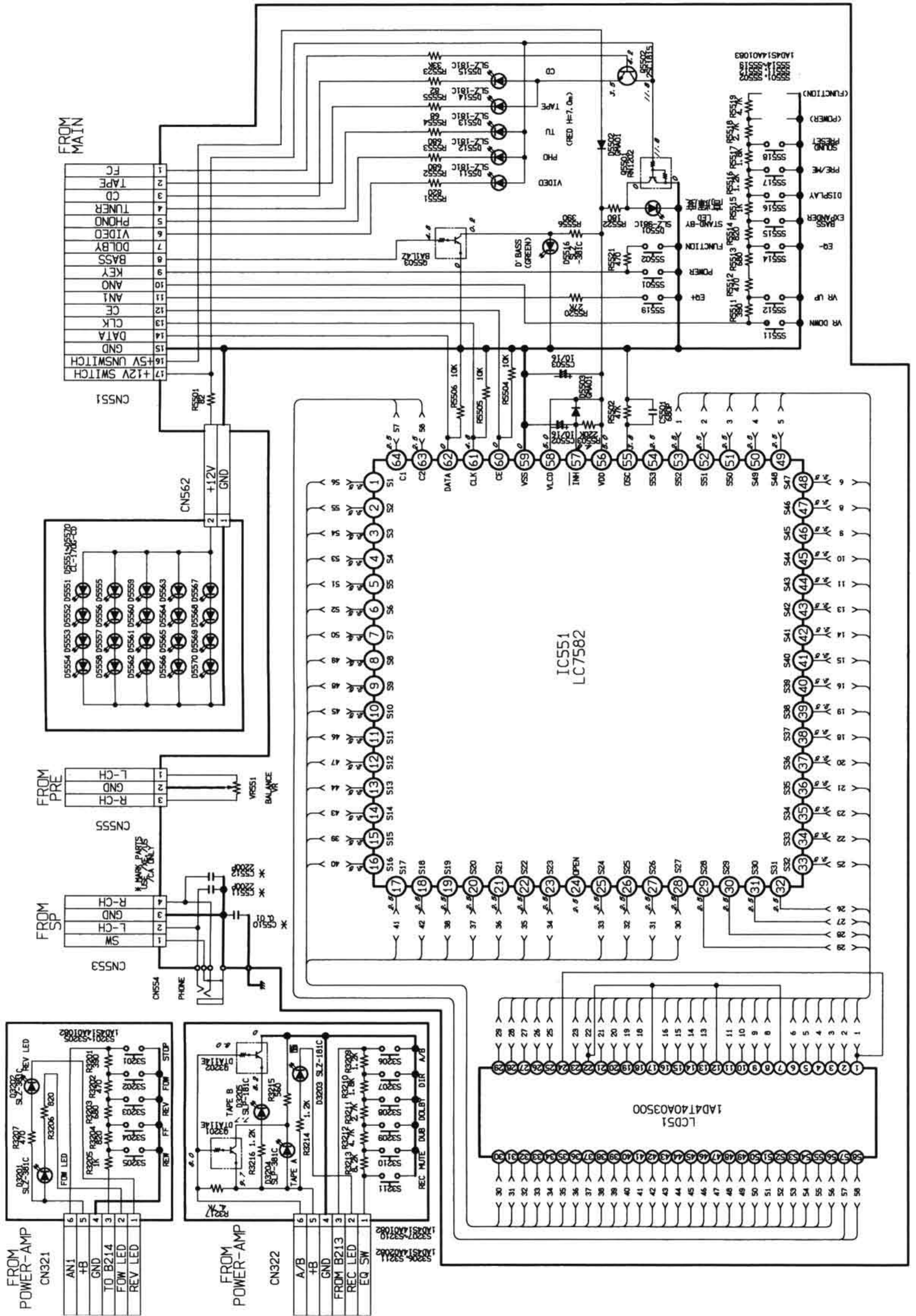


# BLOCK DIAGRAM (SYSCON & POWER AMPLIFIER)



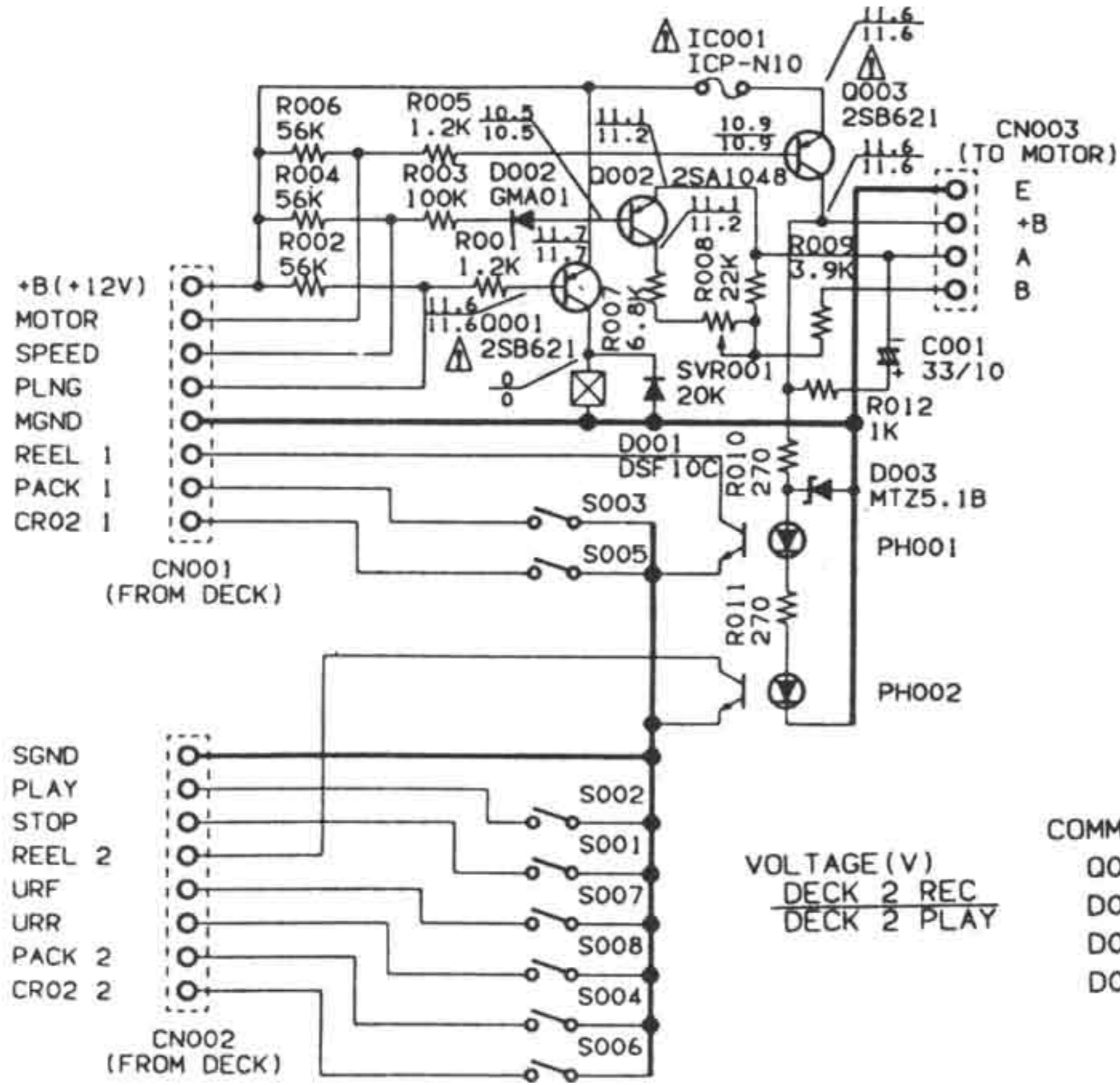


# SCHEMATIC DIAGRAM (FRONT)





# SCHEMATIC DIAGRAM (TAPE MECHANISM)



PH001 002  
SPI33534C  
S001 002  
1AD4S12A02000  
S003-008  
1AD4S13A01800

S001 STOP SW  
S002 PLAY SW  
S003 DECK 1 PACK SW  
S004 DECK 2 PACK SW  
S005 DECK 1 CRO2 SW  
S006 DECK 2 CRO2 SW  
S007 DECK 2 UNREC F SW  
S008 DECK 2 UNREC R SW

COMMON USE  
Q002 2SA1048 or 2SA933  
D001 DSF10C or 1SR35  
D002 GMA01 or 1SS133  
D003 MTZ5.1B or GZS5.1Y

VOLTAGE (V)  
DECK 2 REC  
DECK 2 PLAY