



TAD G80

(DE)

Mini Component System



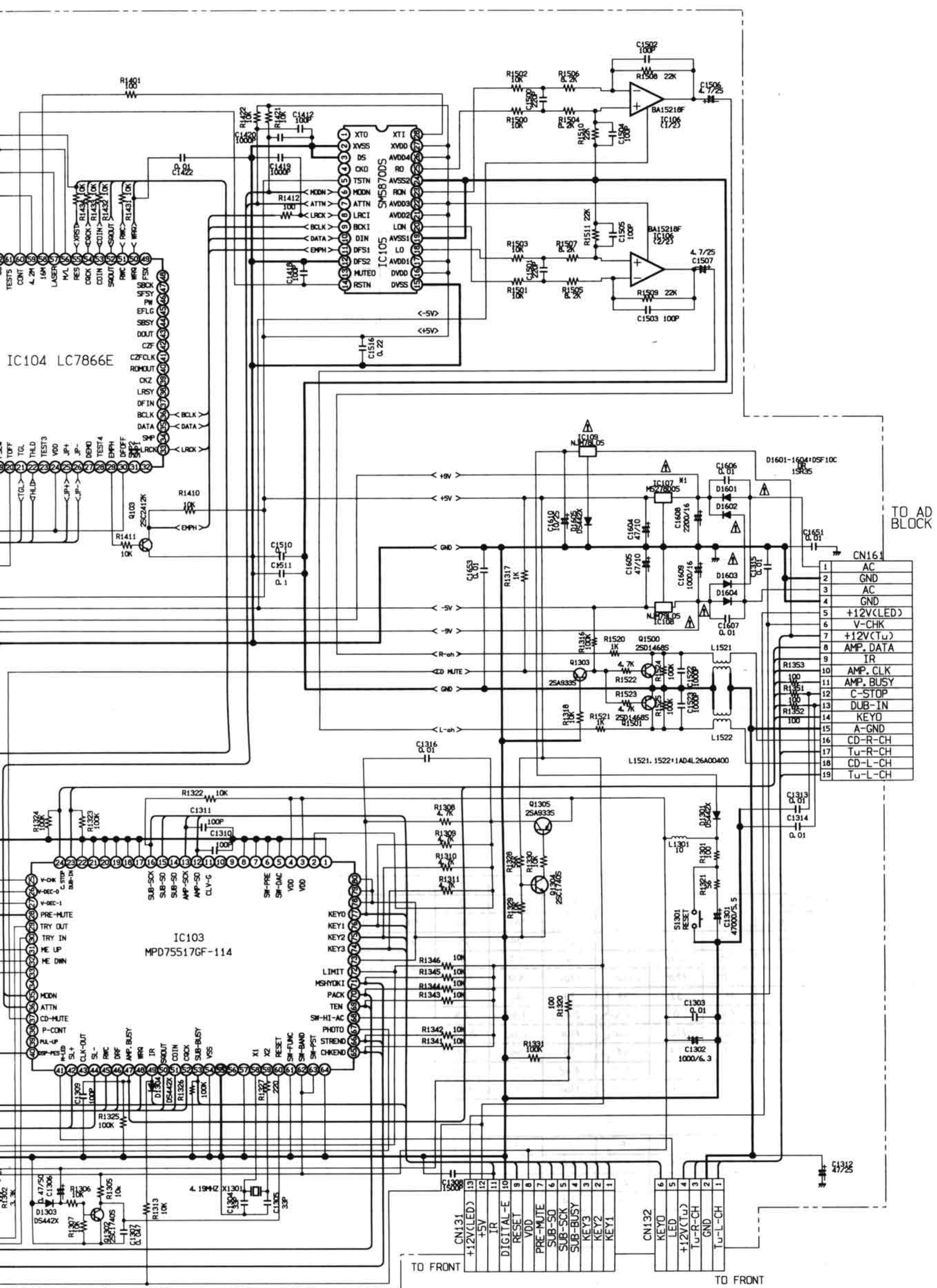
PRODUCT CODE No.
129 406 03

Contents

SPECIFICATION	1
SYSTEM CONNECTION	1
OPERATING THE RESET SWITCH	2
PARTS LIST(PACK & ACCESSORIES)	2
PARTS LIST(REMOCON)	2
CD CHANGER / TUNER UNIT	
TUNER ADJUSTMENT	3
LASER BEAM SAFETY PRECAUTION	4
DISASSEMBLY	5
CD MECHANISM REPLACEMENT	6
CD MECHANISM OPERATION EXPLANATION	8
CD SERVICE MODE	12
CD ADJUSTMENT	15
EXPLODED VIEW(CABINET & CHASSIS)	17
PARTS LIST	18
EXPLODED VIEW(CD LOADING MECHANISM) ..	21
PARTS LIST(CD LOADING MECHANISM)	22
EXPLODED VIEW & PARTS LIST (CD PICKUP MECHANISM)	23
EXPLODED VIEW & PARTS LIST(MAGAZINE)	24
IC BLOCK DIAGRAM	25
LCD BLOCK DIAGRAM	31
CD VOLTAGE TABLE	32
SCHEMATIC DIAGRAM(CD)	34
WIRING DIAGRAM(CD)	36

SCHEMATIC DIAGRAM(FRONT)	38
CONNECTION DIAGRAM	40
SCHEMATIC DIAGRAM(TUNER)	42
WIRING DIAGRAM(TUNER & FRONT)	44
TAPE DECK / AMPLIFIER UNIT	
DECK ADJUSTMENT	47
PARTS LIST	49
EXPLODED VIEW(CABINET & CHASSIS)	54
EXPLODED VIEW(TAPE MECHANISM)	56
PARTS LIST(TAPE MECHANISM)	57
IC BLOCK DIAGRAM	58
LCD BLOCK DIAGRAM	63
CONNECTION DIAGRAM	64
SCHEMATIC DIAGRAM(TAPE DECK AMP)	66
WIRING DIAGRAM(TAPE DECK AMP)	68
SCHEMATIC DIAGRAM(PRE-AMP)	70
WIRING DIAGRAM(PRE-AMP & FRONT)	72
SCHEMATIC DIAGRAM(SYSCON & MAIN AMP) ..	74
WIRING DIAGRAM(SYSCON & MAIN AMP)	76
SCHEMATIC DIAGRAM(FRONT)	78
SCHEMATIC DIAGRAM(TAPE MECHANISM)	79

"Dolby" and the double-D symbol are trademark of Dolby Laboratories Licensing Corporation. Dolby Noise Reduction system is manufactured under license from Dolby Laboratories Licensing Corporation.



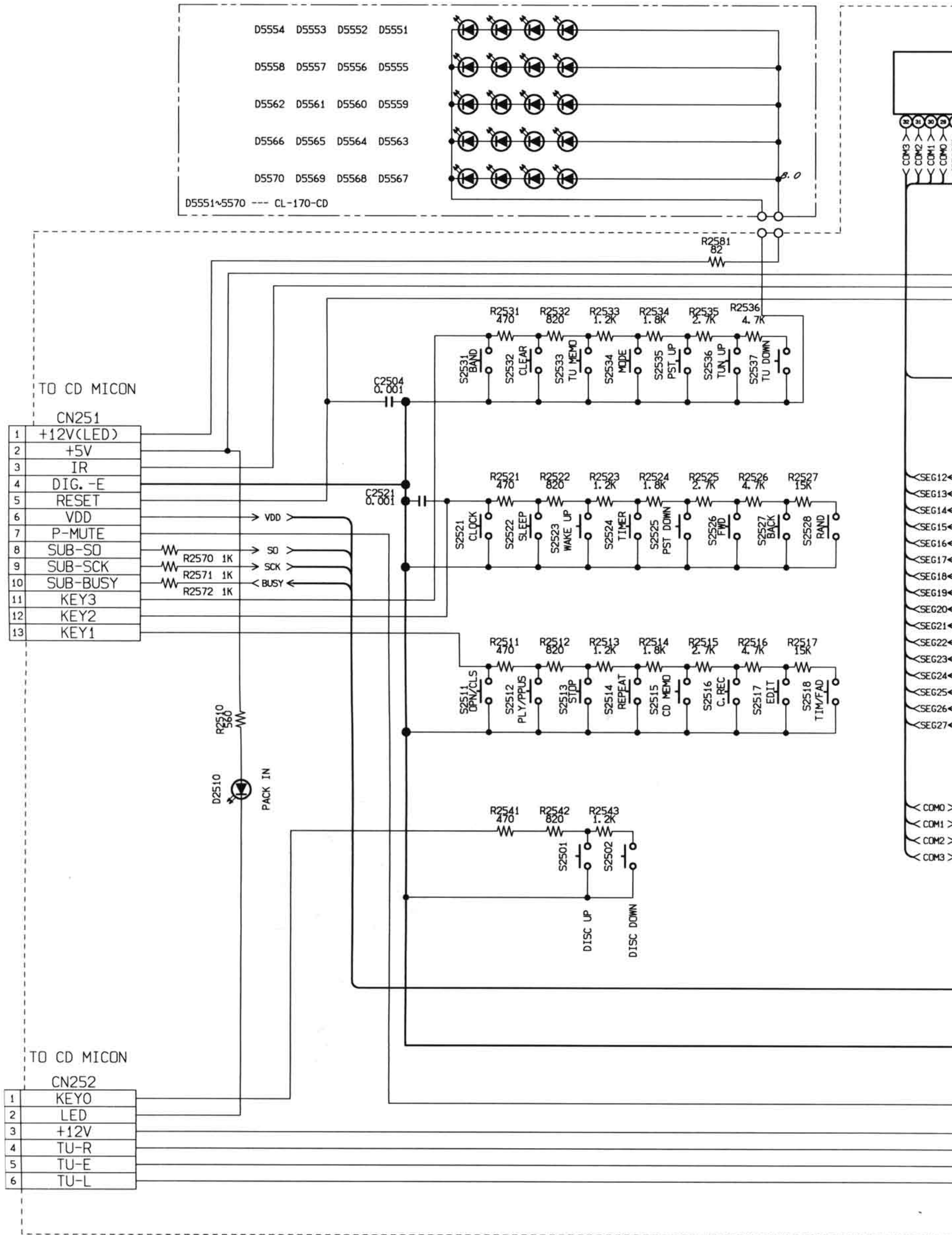
TO AD BLOCK

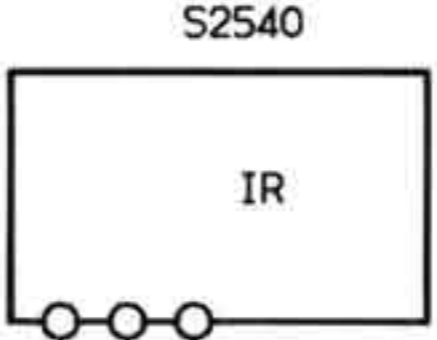
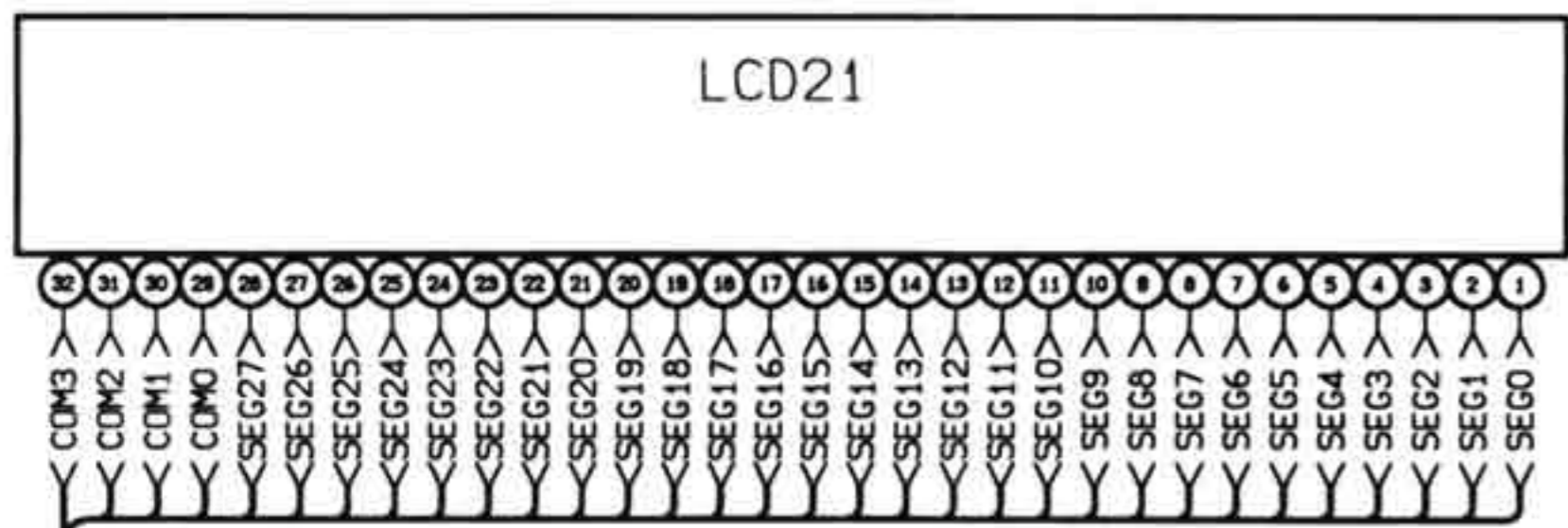
1	AC
2	GND
3	AC
4	GND
5	+12V(LED)
6	V-CHK
7	+12V(Tu)
8	AMP. DATA
9	IR
10	AMP. CLK
11	AMP. BUSY
12	C-STOP
13	DUB-IN
14	KEYO
15	A-GND
16	CD-R-CH
17	Tu-R-CH
18	CD-L-CH
19	Tu-L-CH

TO FRONT

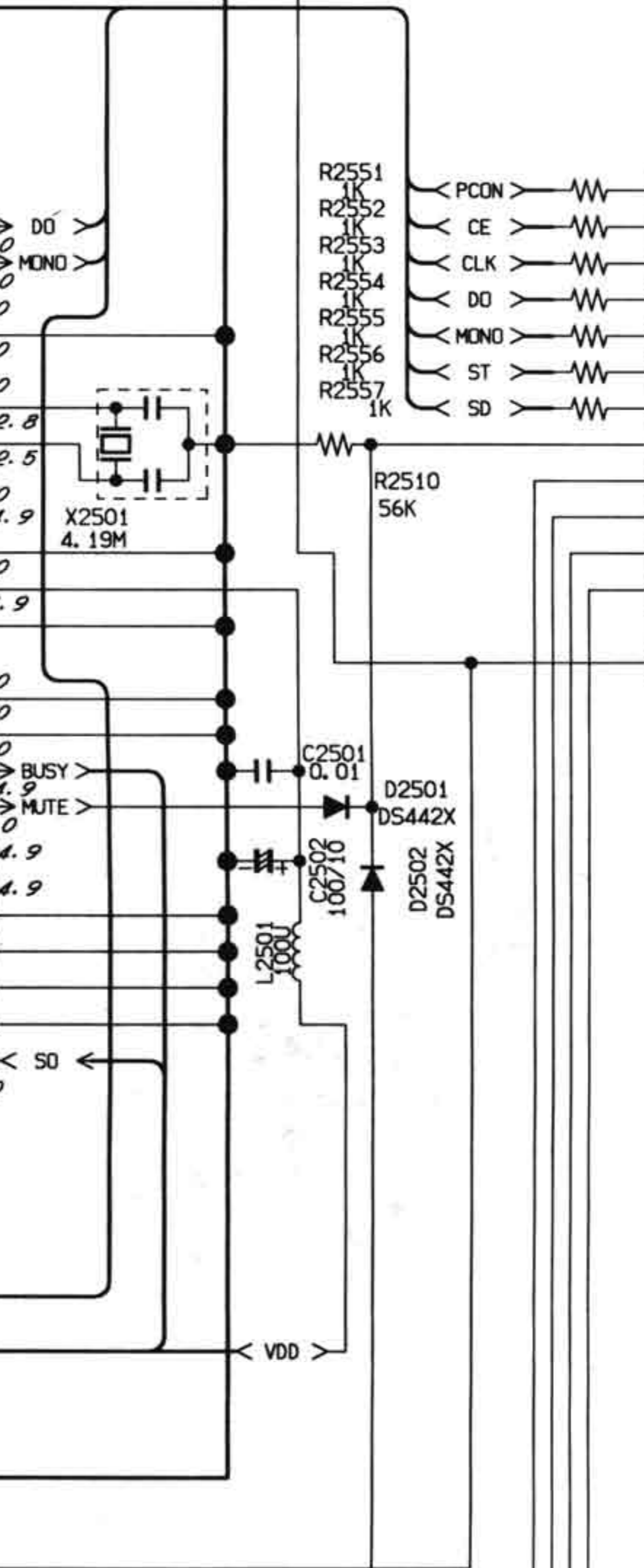
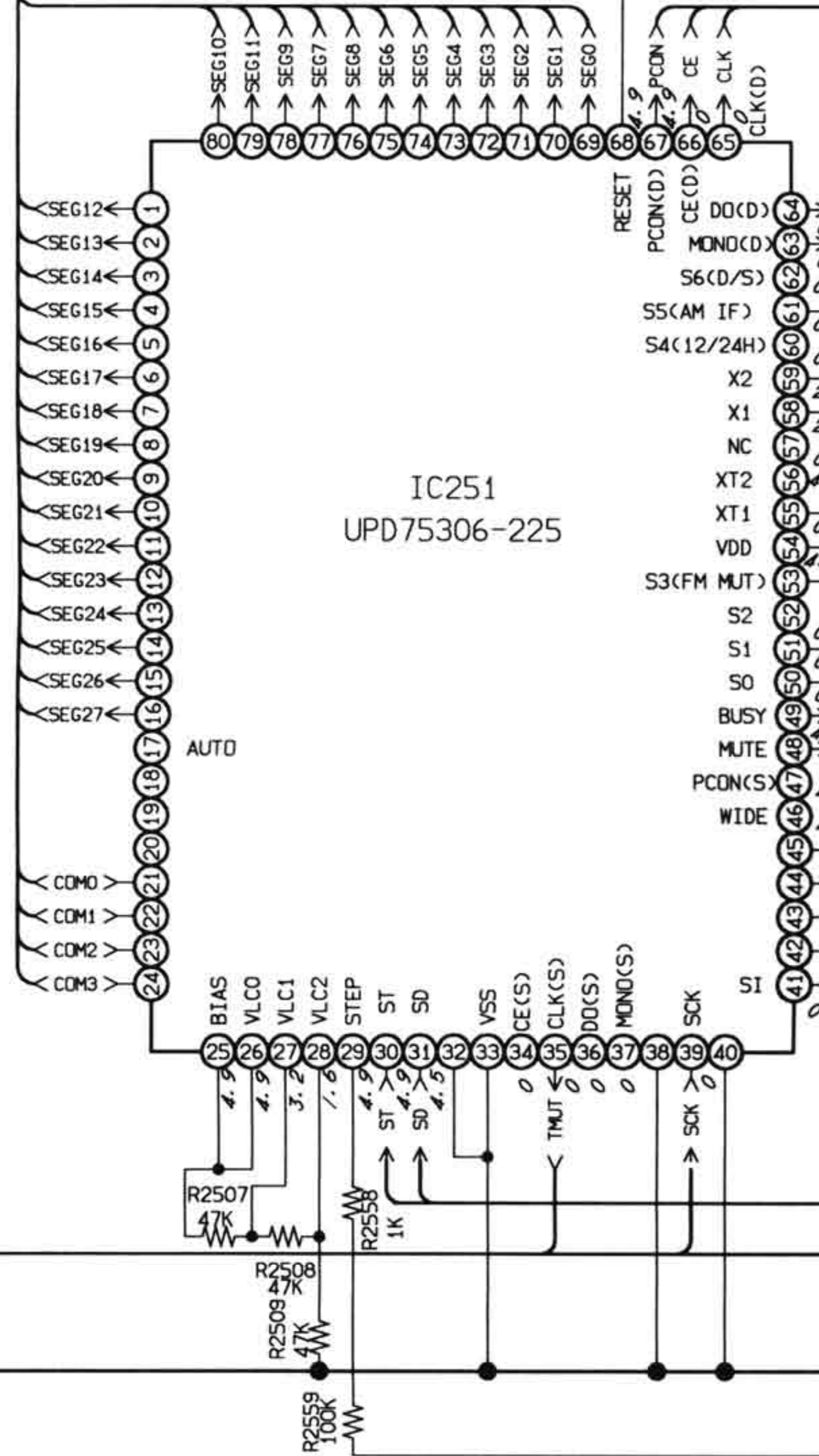
TO FRONT

SCHEMATIC DIAGRAM (FRONT)



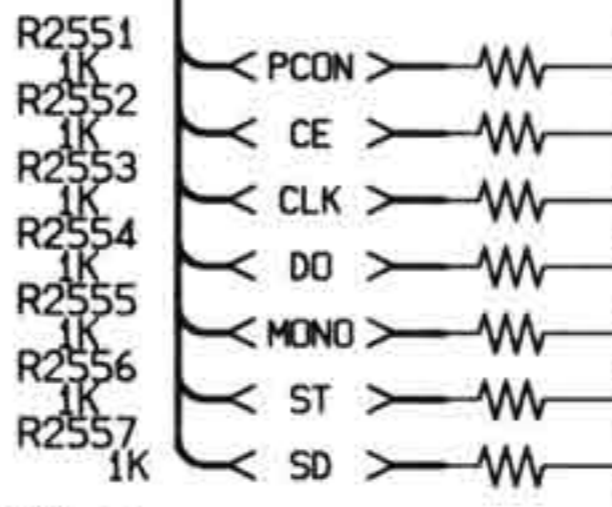


C2505
0.001



TO TUNER
CN253

1	PCON
2	CE
3	CLK
4	DO(DATA)
5	MONO
6	ST
7	SD
8	MUTE
9	TU-L
10	TU-E
11	TU-R
12	+12V
13	STEP
14	+5V



R2510 56K

C2501 0.01

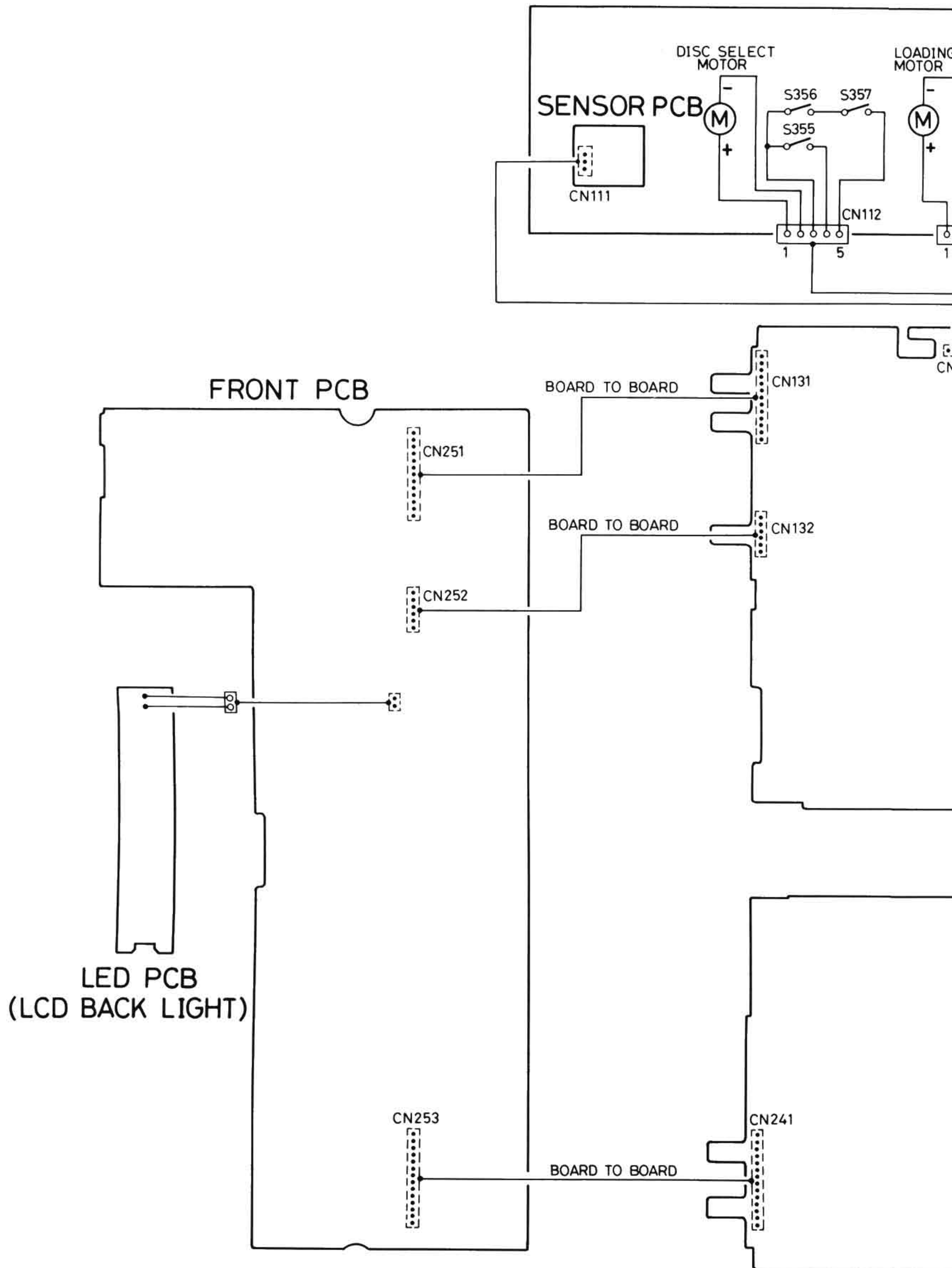
D2501 DS442X

D2502 DS442X

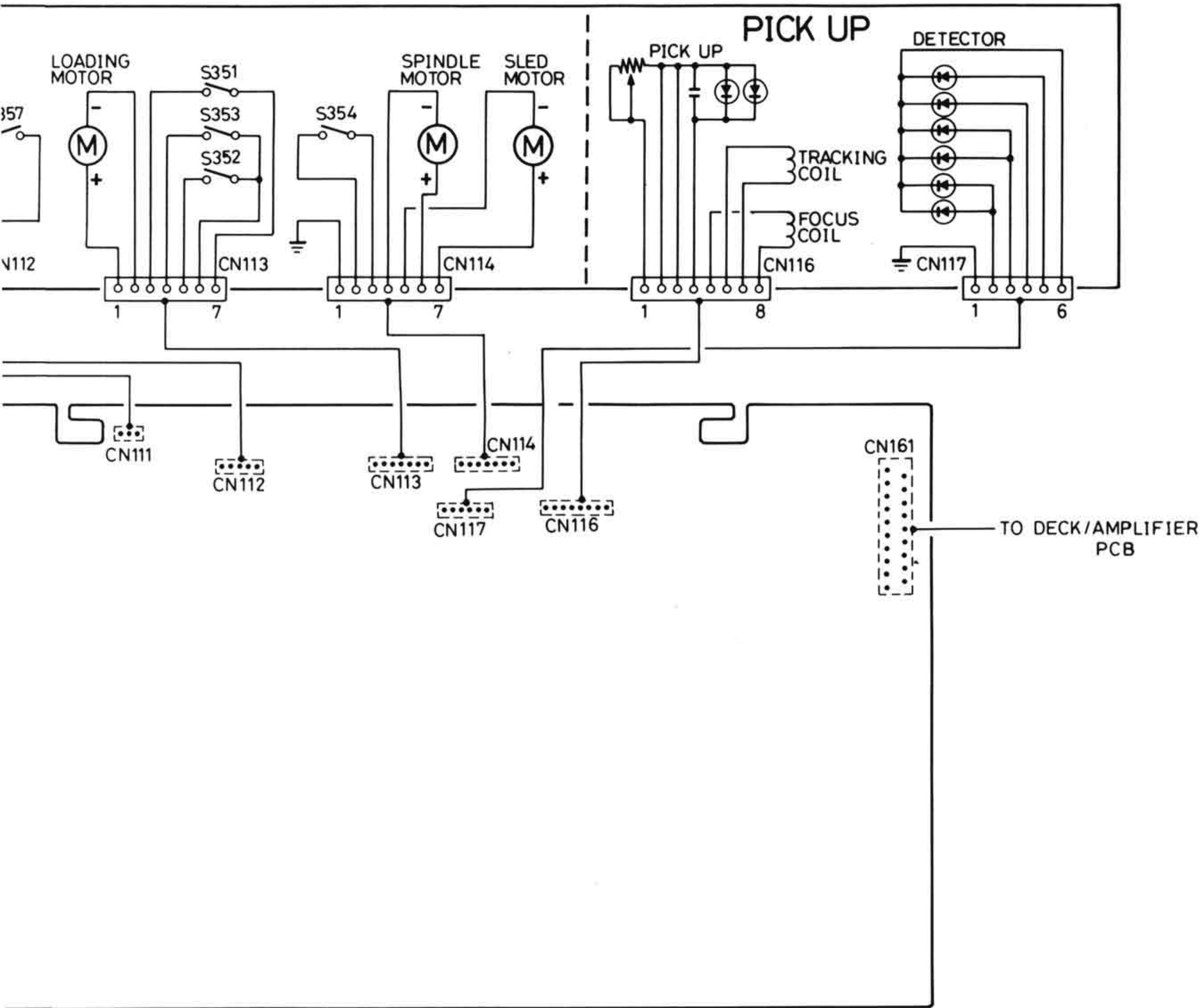
C2502 100/16

L2501 100uH

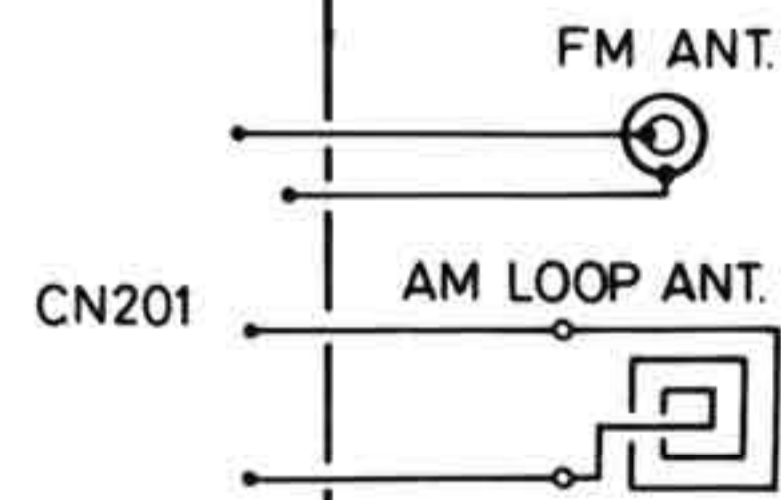
WIRING CONNECTION (TUNER / CD UNIT)



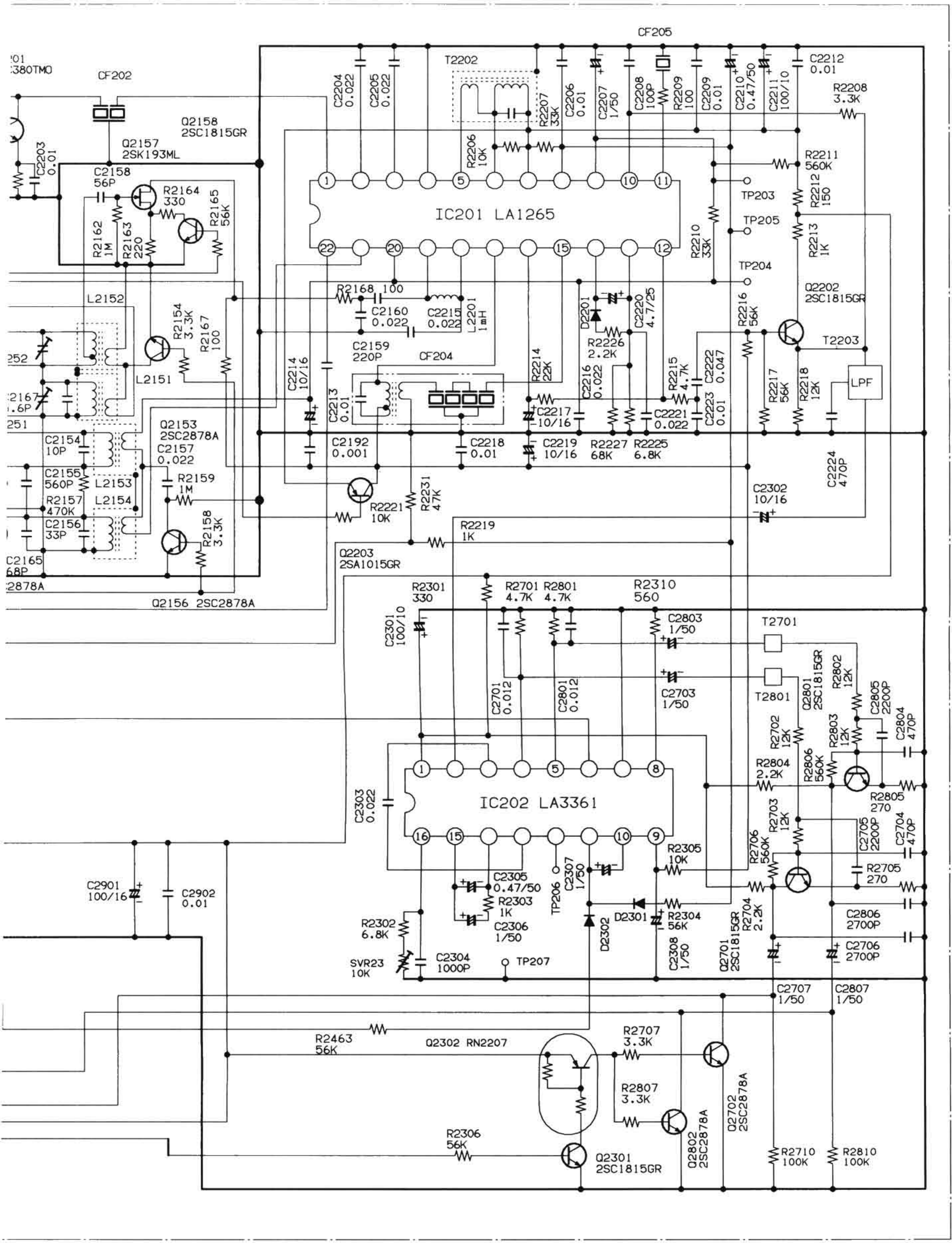
MECHANISM



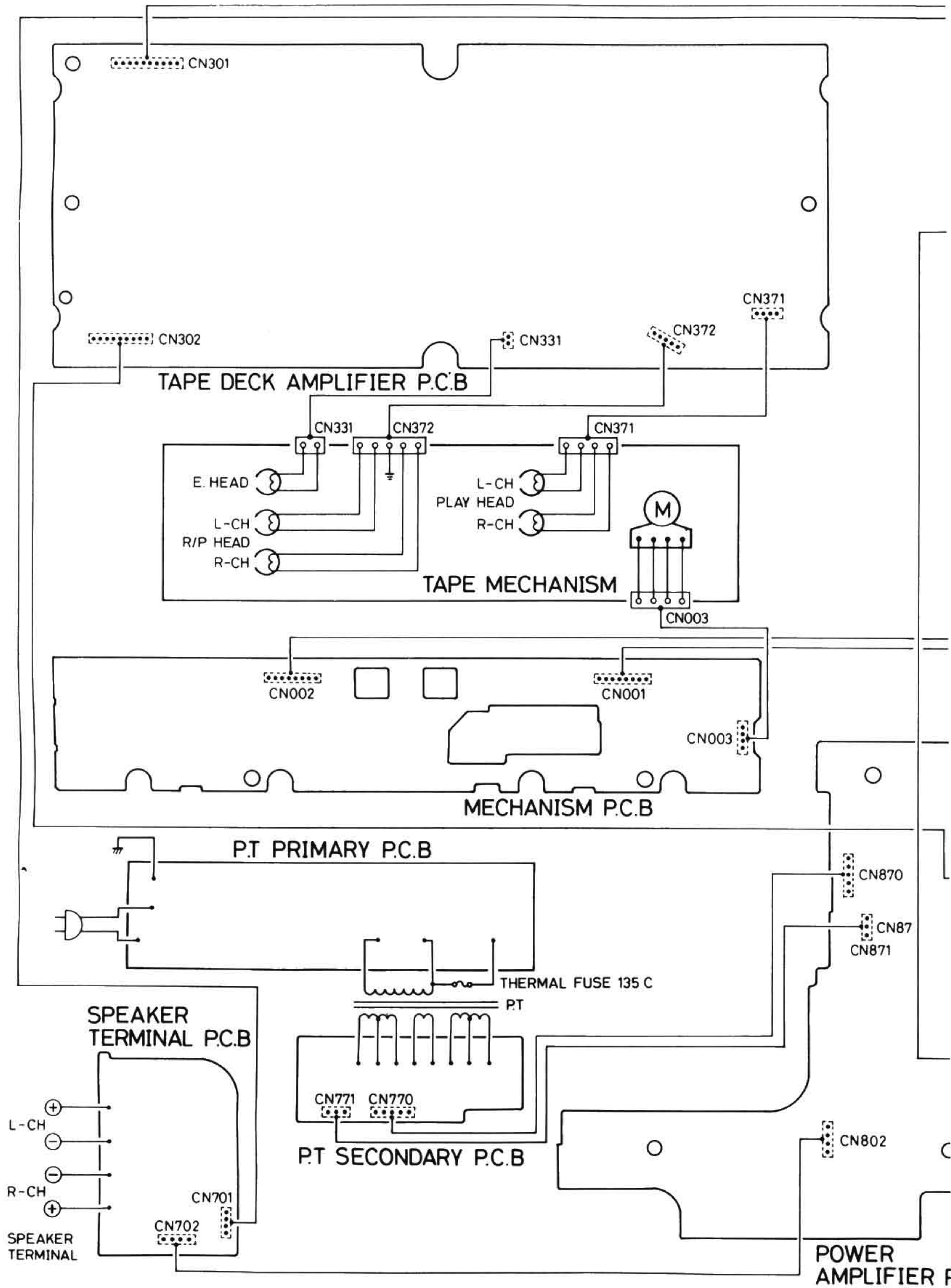
CD MICON PCB

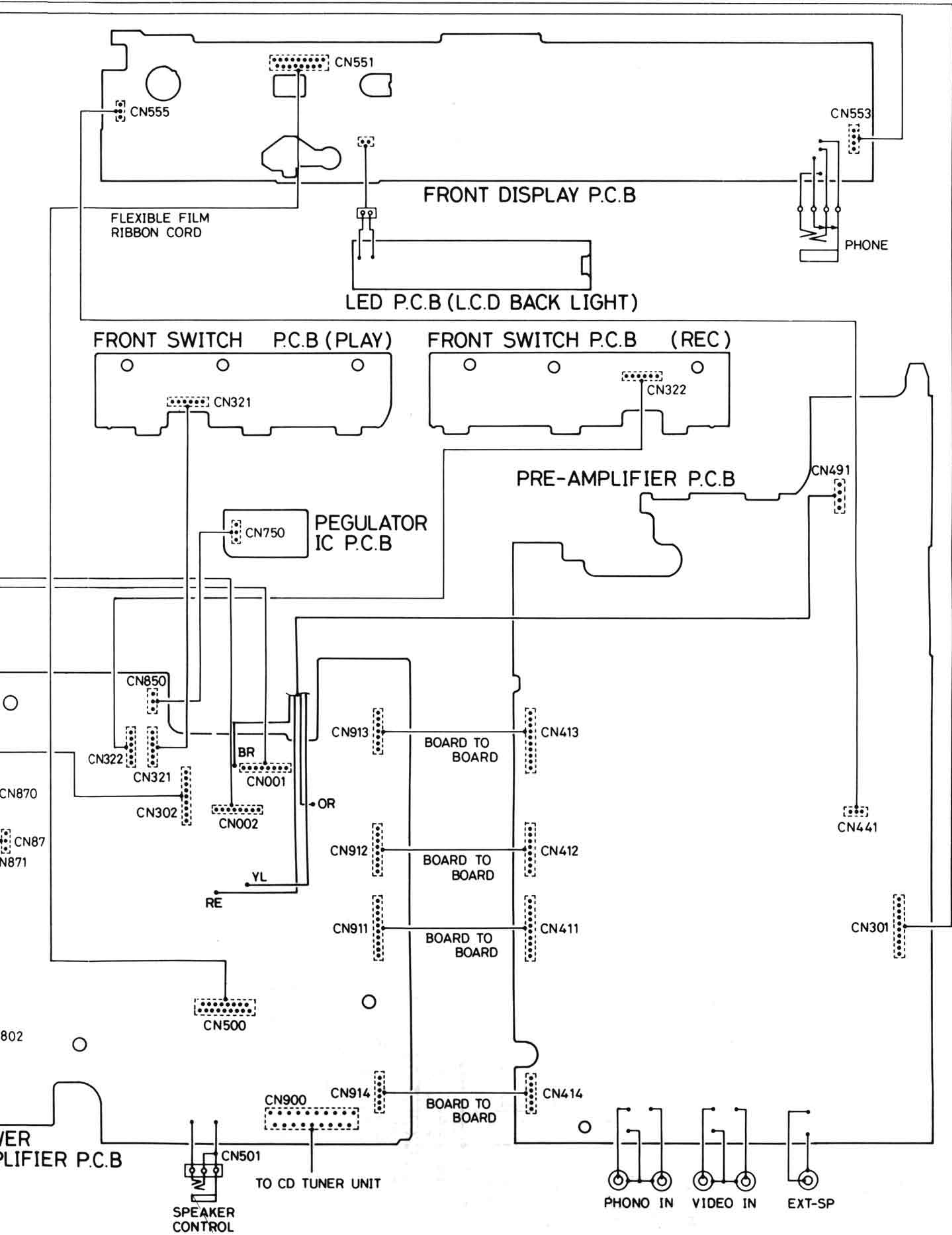


TUNER PCB



WIRING CONNECTION (TAPE DECK / AMPLIFIER UNIT)





FRONT DISPLAY P.C.B

LED P.C.B (L.C.D BACK LIGHT)

FRONT SWITCH P.C.B (PLAY)

FRONT SWITCH P.C.B (REC)

PRE-AMPLIFIER P.C.B

REGULATOR IC P.C.B

POWER AMPLIFIER P.C.B

FLEXIBLE FILM RIBBON CORD

PHONE

SPEAKER CONTROL

TO CD TUNER UNIT

PHONO IN VIDEO IN EXT-SP

BOARD TO BOARD

BOARD TO BOARD

BOARD TO BOARD

BOARD TO BOARD

CN870

CN87
CN871

802

CN551

CN555

CN553

CN321

CN322

CN750

CN491

CN850

CN322

CN321

CN302

CN002

CN913

CN413

YL

RE

CN912

CN412

CN911

CN411

CN441

CN500

CN301

CN900

CN914

CN414

CN501

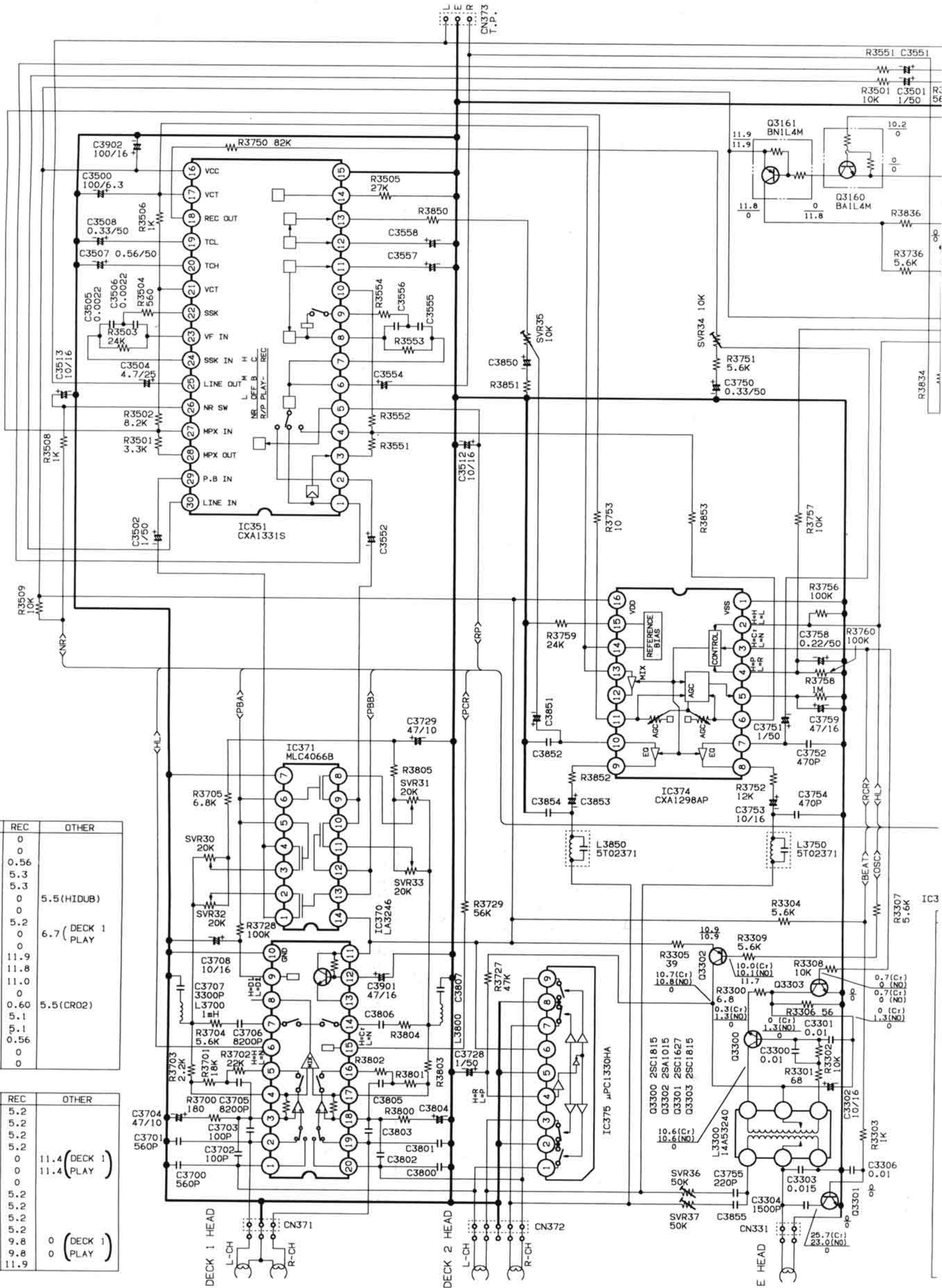
SCHEMATIC DIAGRAM (TAPE DECK AMPLIFIER)

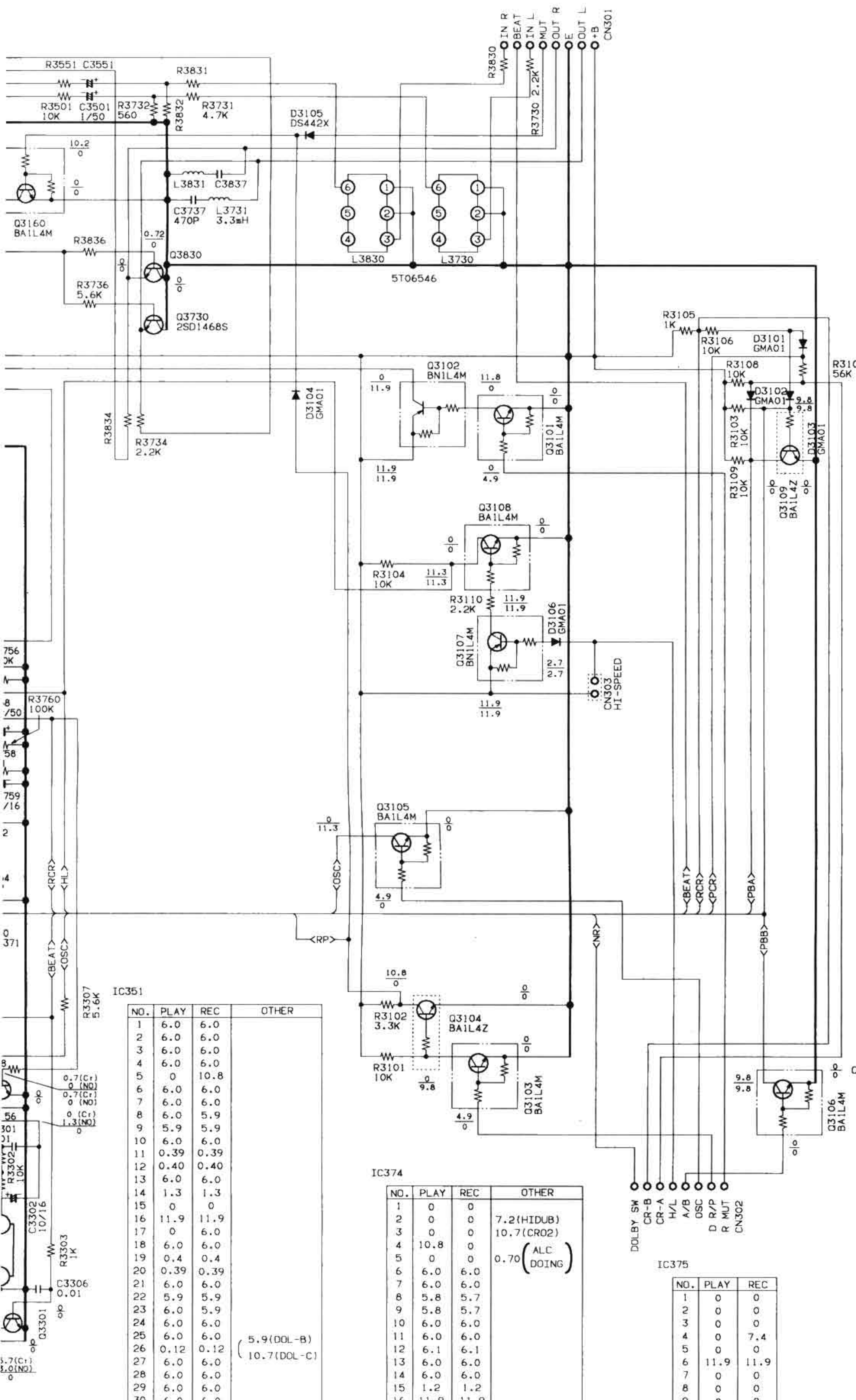
IC370

NO.	PLAY	REC	OTHER
1	0	0	
2	0	0	
3	0.58	0.56	
4	5.3	5.3	
5	5.3	5.3	
6	0	0	5.5 (HIDUB)
7	0	0	
8	5.2	5.2	6.7 (DECK 1 PLAY)
9	0	0	
10	0	0	
11	11.9	11.9	
12	11.8	11.8	
13	11.0	11.0	
14	0	0	
15	0.60	0.60	5.5 (CRO2)
16	5.1	5.1	
17	5.1	5.1	
18	0.56	0.56	
19	0	0	
20	0	0	

IC371

NO.	PLAY	REC	OTHER
1	5.2	5.2	
2	5.2	5.2	
3	5.2	5.2	
4	5.2	5.2	
5	0	0	11.4 (DECK 1 PLAY)
6	0	0	
7	0	0	
8	5.2	5.2	
9	5.2	5.2	
10	5.2	5.2	
11	5.2	5.2	
12	9.8	9.8	0 (DECK 1 PLAY)
13	9.8	9.8	
14	11.9	11.9	





VOLTAGE (V)
DECK 2 REC
DECK 2 PLAY

IC351

NO.	PLAY	REC	OTHER
1	6.0	6.0	
2	6.0	6.0	
3	6.0	6.0	
4	6.0	6.0	
5	0	10.8	
6	6.0	6.0	
7	6.0	6.0	
8	6.0	5.9	
9	5.9	5.9	
10	6.0	6.0	
11	0.39	0.39	
12	0.40	0.40	
13	6.0	6.0	
14	1.3	1.3	
15	0	0	
16	11.9	11.9	
17	0	6.0	
18	6.0	6.0	
19	0.4	0.4	
20	0.39	0.39	
21	6.0	6.0	
22	5.9	5.9	
23	6.0	5.9	
24	6.0	6.0	
25	6.0	6.0	
26	0.12	0.12	
27	6.0	6.0	
28	6.0	6.0	
29	6.0	6.0	
30	6.0	6.0	

(5.9(DOL-B)
10.7(DOL-C)

IC374

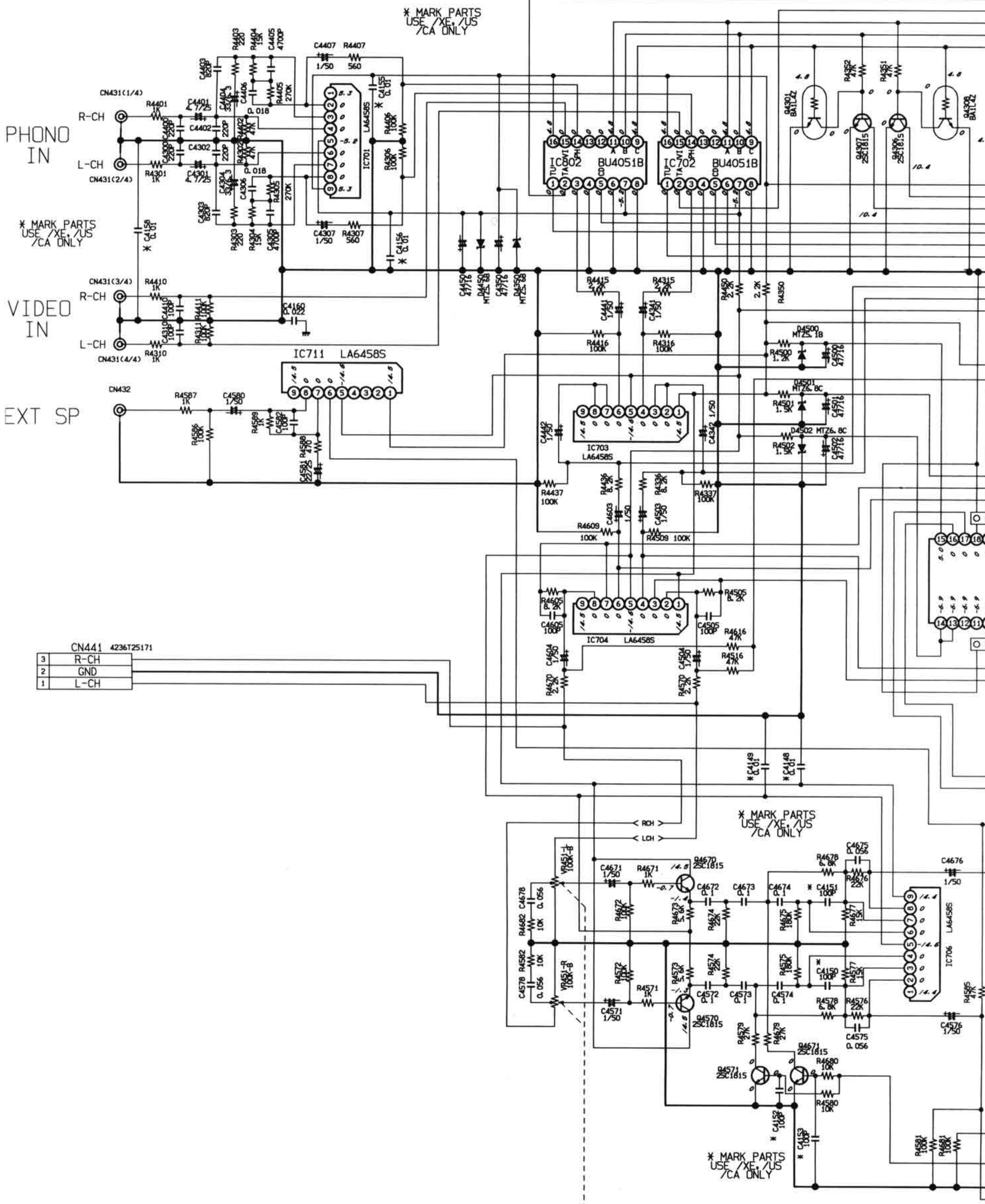
NO.	PLAY	REC	OTHER
1	0	0	
2	0	0	7.2(HIDUB)
3	0	0	10.7(CR02)
4	10.8	0	
5	0	0	0.70 (ALC DOING)
6	6.0	6.0	
7	6.0	6.0	
8	5.8	5.7	
9	5.8	5.7	
10	6.0	6.0	
11	6.0	6.0	
12	6.1	6.1	
13	6.0	6.0	
14	6.0	6.0	
15	1.2	1.2	
16	11.9	11.9	

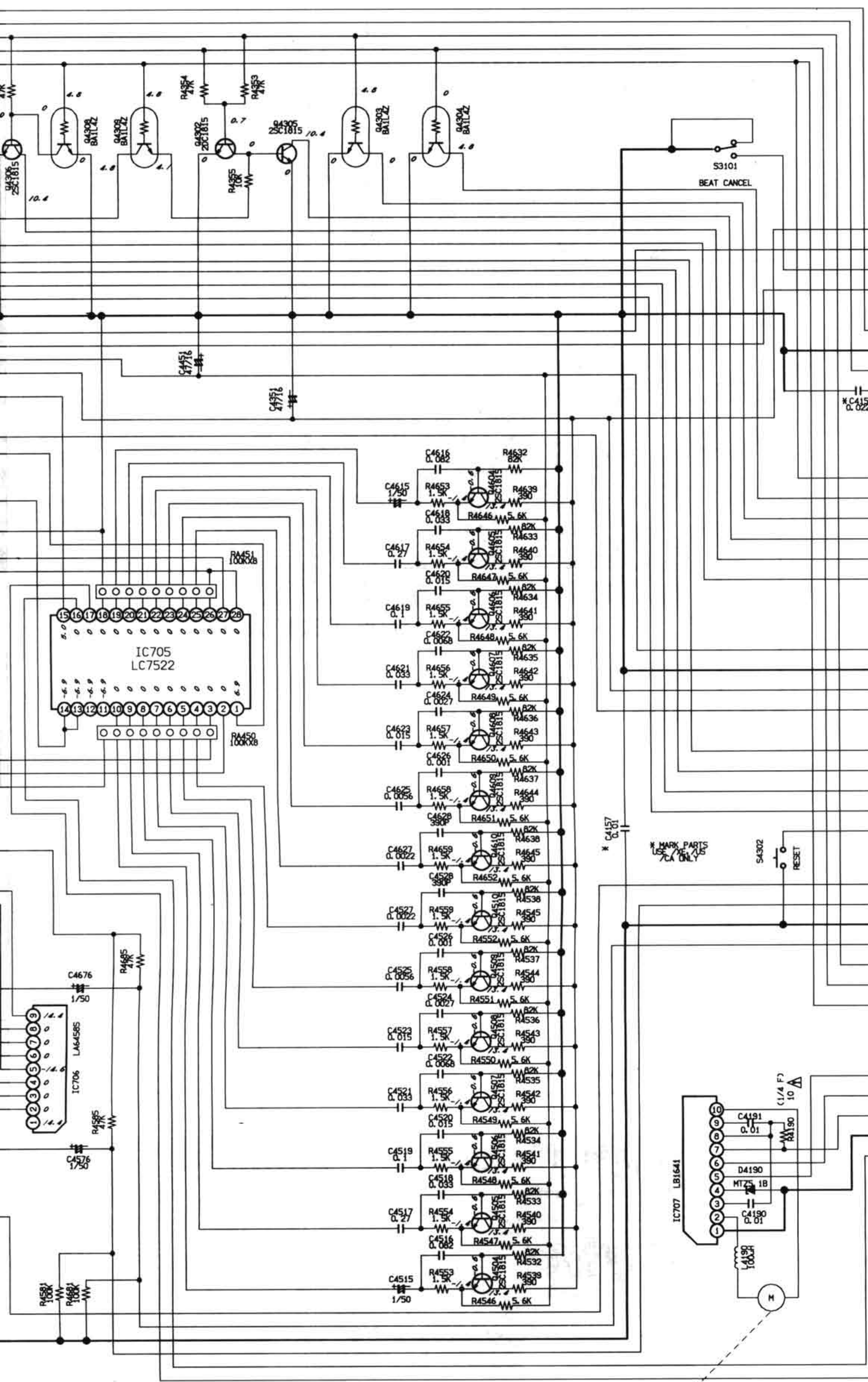
IC375

NO.	PLAY	REC
1	0	0
2	0	0
3	0	0
4	0	7.4
5	0	0
6	11.9	11.9
7	0	0
8	0	0
9	0	0

- COMMON USE
- Q3300 2SC1815+r2SC945
 - Q3303 2SC1815+r2SC945+r2SC1740S
 - Q3302 2SA1015+r2SA733
 - Q3101 3103 3105 3106 3108 3160
 - DTC144ES+rRN1204+rBA1L4M
 - Q3102 3107 3161
 - DTA144ES+rRN2204+rBN1L4M
 - Q3104 3109
 - DTC144TS+rBA1L4Z
 - D3101 3102 3103 3104 3105
 - GMA01+rISS133
 - D3105 DS442X+rIS2473
 - IC371 MLC4066B+rTC4066BP+rBU4066B+rμPD4066BC

SCHEMATIC DIAGRAM (PRE-AMPLIFIER)





CN301

9	+15V
8	IN-R
7	BEAT
6	IN-L
5	MUT
4	OUT-R
3	E
2	OUT-L
1	+B

CN414

6	FC
5	TAPE
4	CD
3	TUNER
2	PHONO
1	VIDEO

CN411

10	-15V
9	GND
8	+15V
7	LR-MIX
6	P MUTE
5	CD-R
4	TU-R
3	CD-L
2	TU-L
1	RESET

CN412

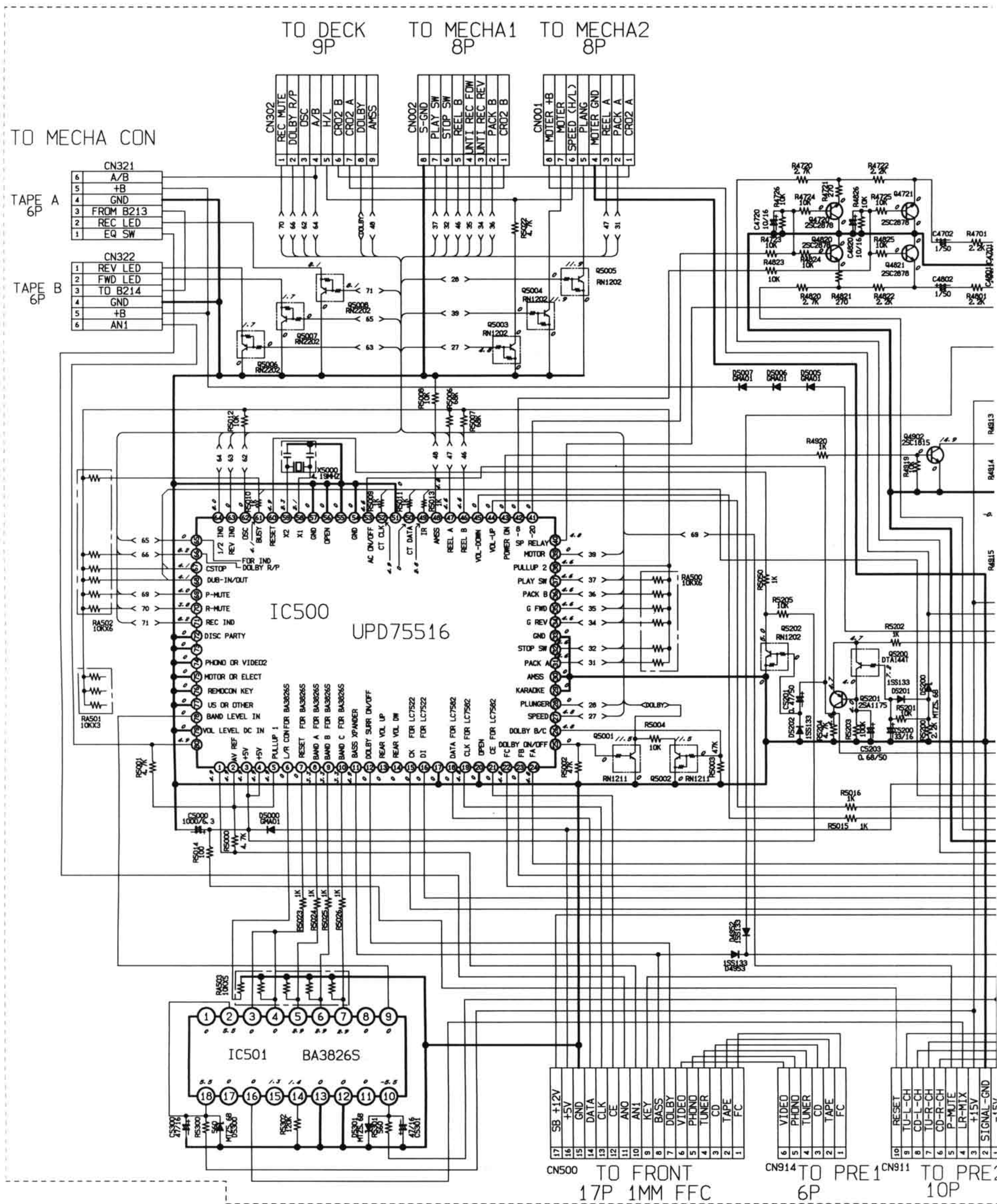
8	DØBASS
7	LOUT
6	MAIN GND
5	ROUT
4	FA
3	FB
2	FC
1	SB

CN413

7	VOL-UP
6	VOL-DOWN
5	MB +12V
4	MG
3	DI
2	CLK
1	DC OUT

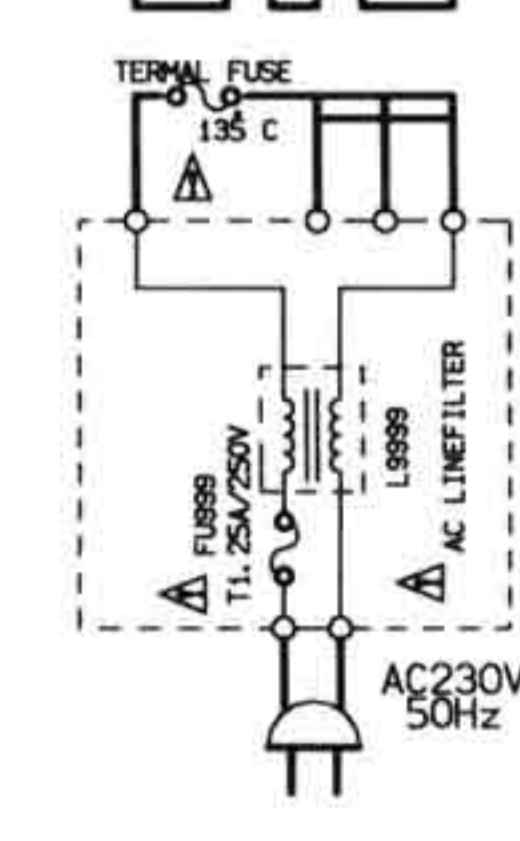
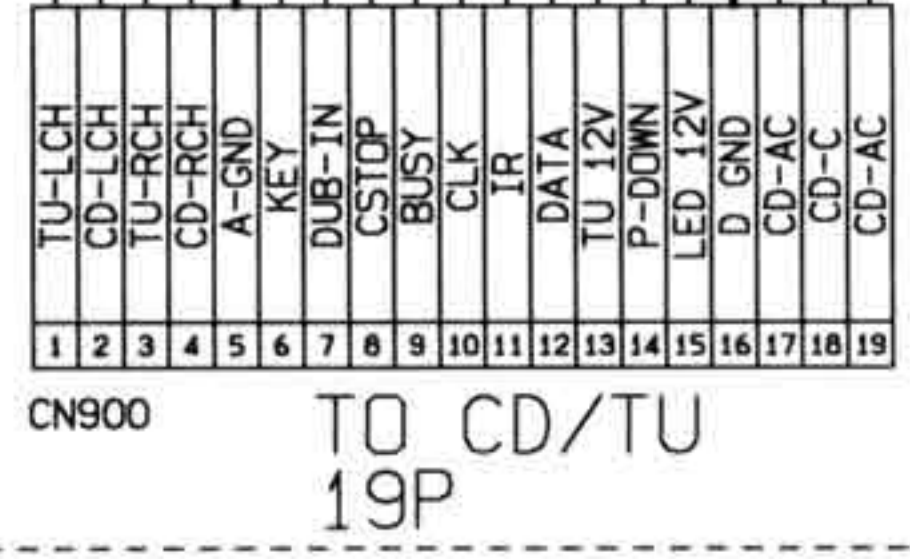
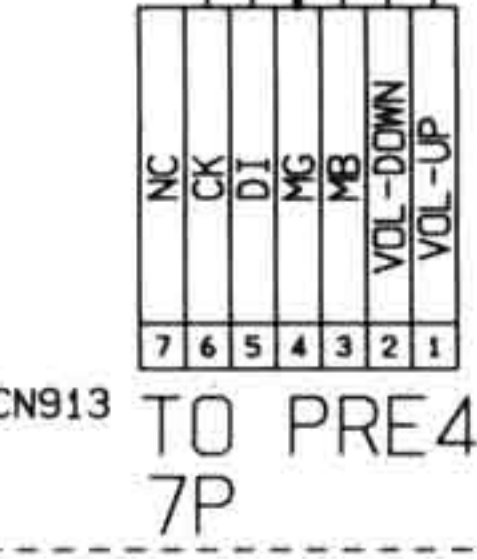
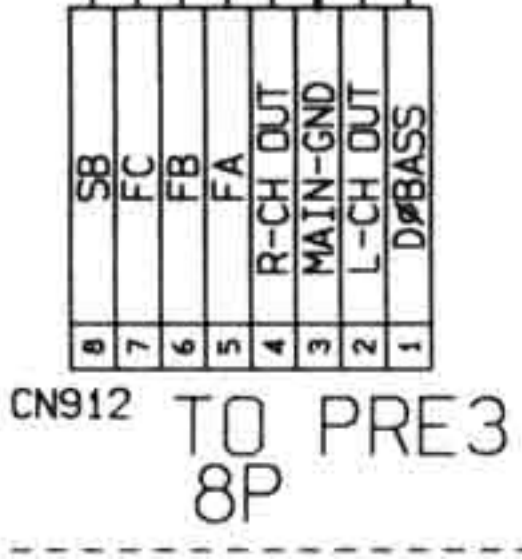
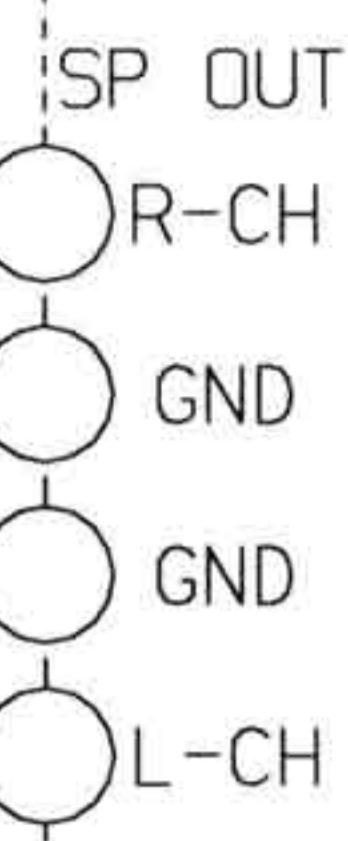
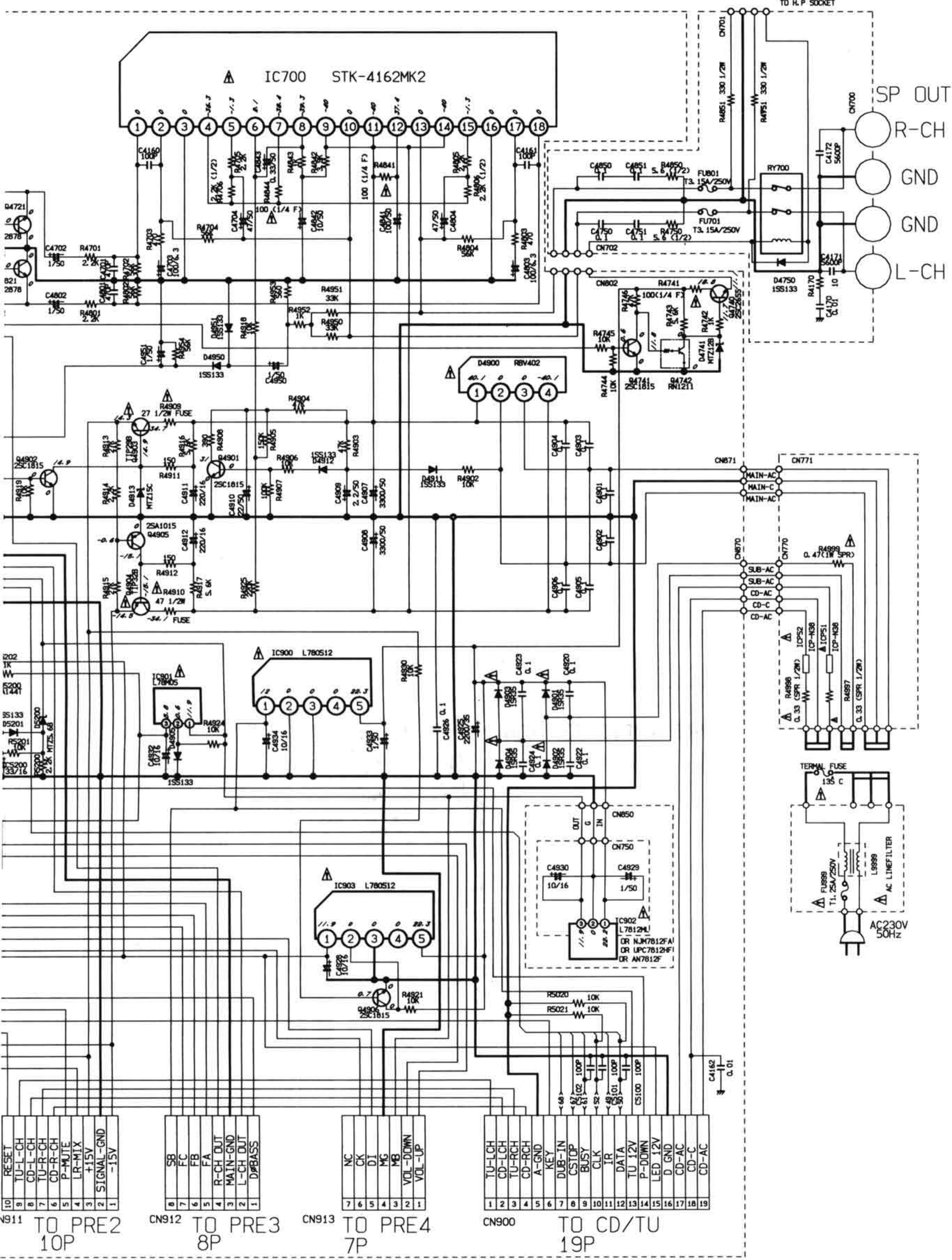
* MARK PARTS
USE /XE, ZUS
/CA ONLY

SCHEMATIC DIAGRAM (SYSCON & POWER AMPLIFIER)

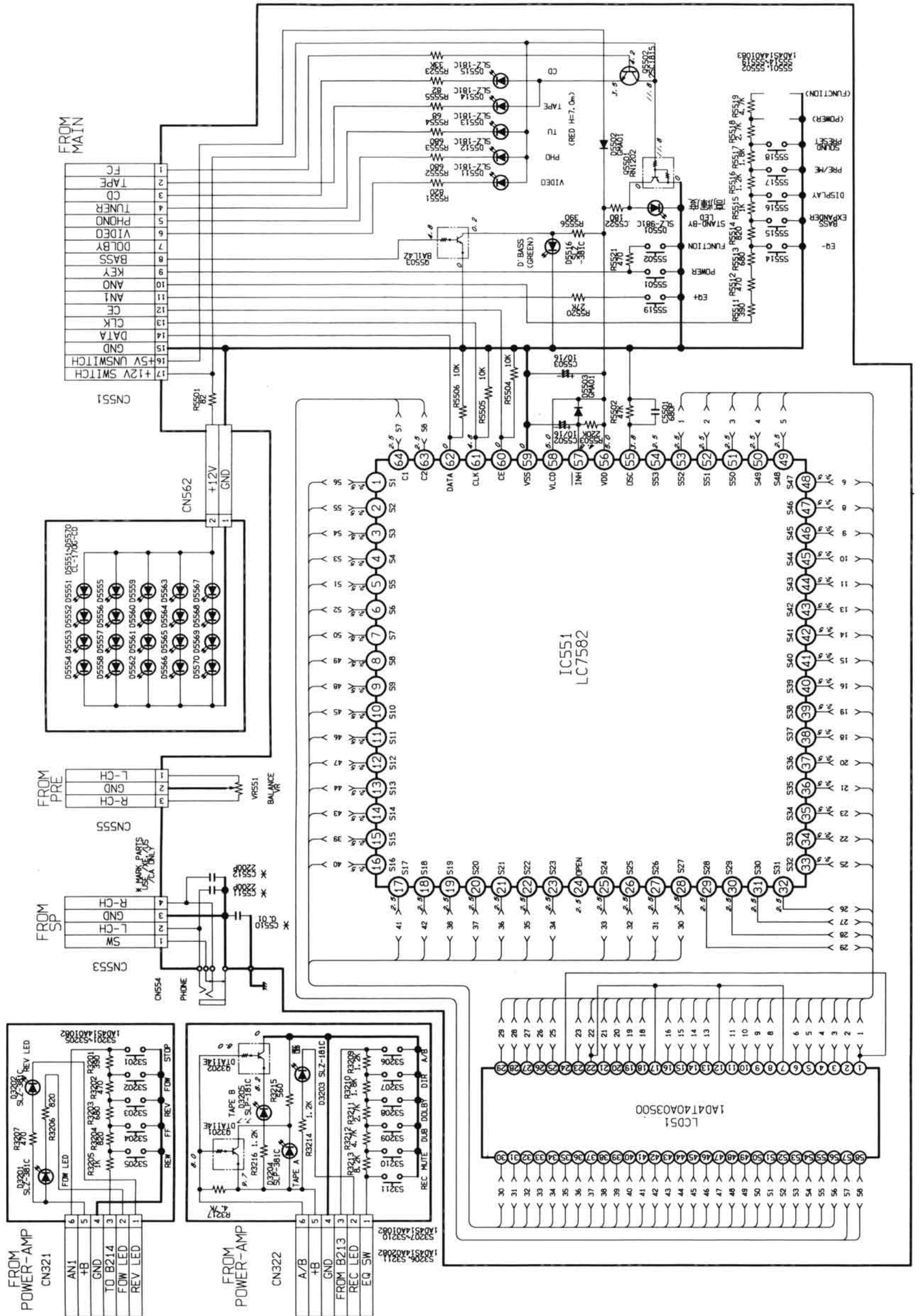


TO FRONT PCB

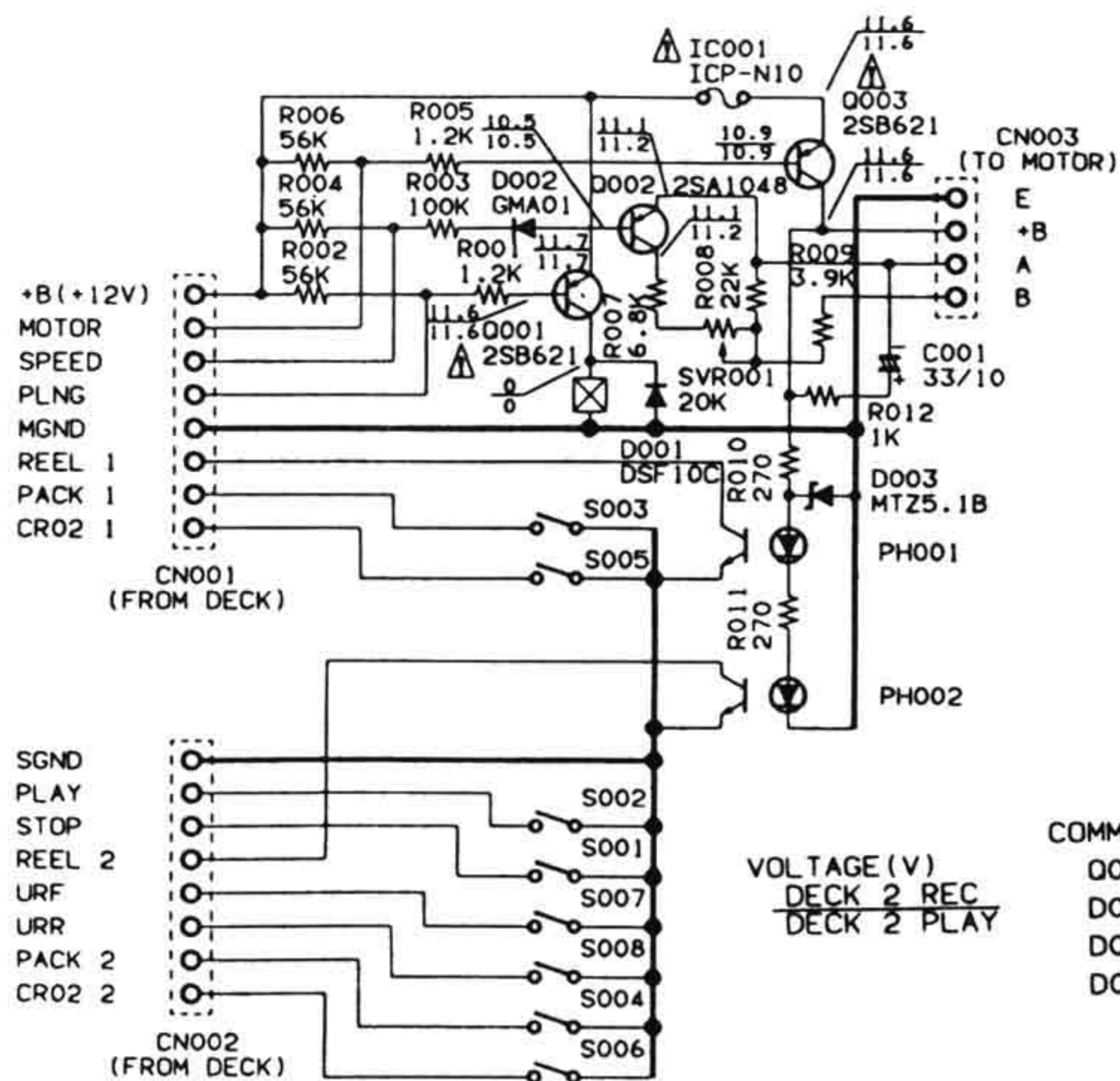
TO H.P. SOCKET



SCHEMATIC DIAGRAM (FRONT)



SCHEMATIC DIAGRAM (TAPE MECHANISM)



PH001 002
SPI33534C
S001 002
1AD4S12A02000
S003-008
1AD4S13A01800

S001 STOP SW
S002 PLAY SW
S003 DECK 1 PACK SW
S004 DECK 2 PACK SW
S005 DECK 1 CRO2 SW
S006 DECK 2 CRO2 SW
S007 DECK 2 UNREC F SW
S008 DECK 2 UNREC R SW

COMMON USE
Q002 2SA1048 or 2SA933
D001 DSF10C or 1SR35
D002 GMA01 or 1SS133
D003 MTZ5.1B or GZS5.1Y

VOLTAGE (V)
DECK 2 REC
DECK 2 PLAY