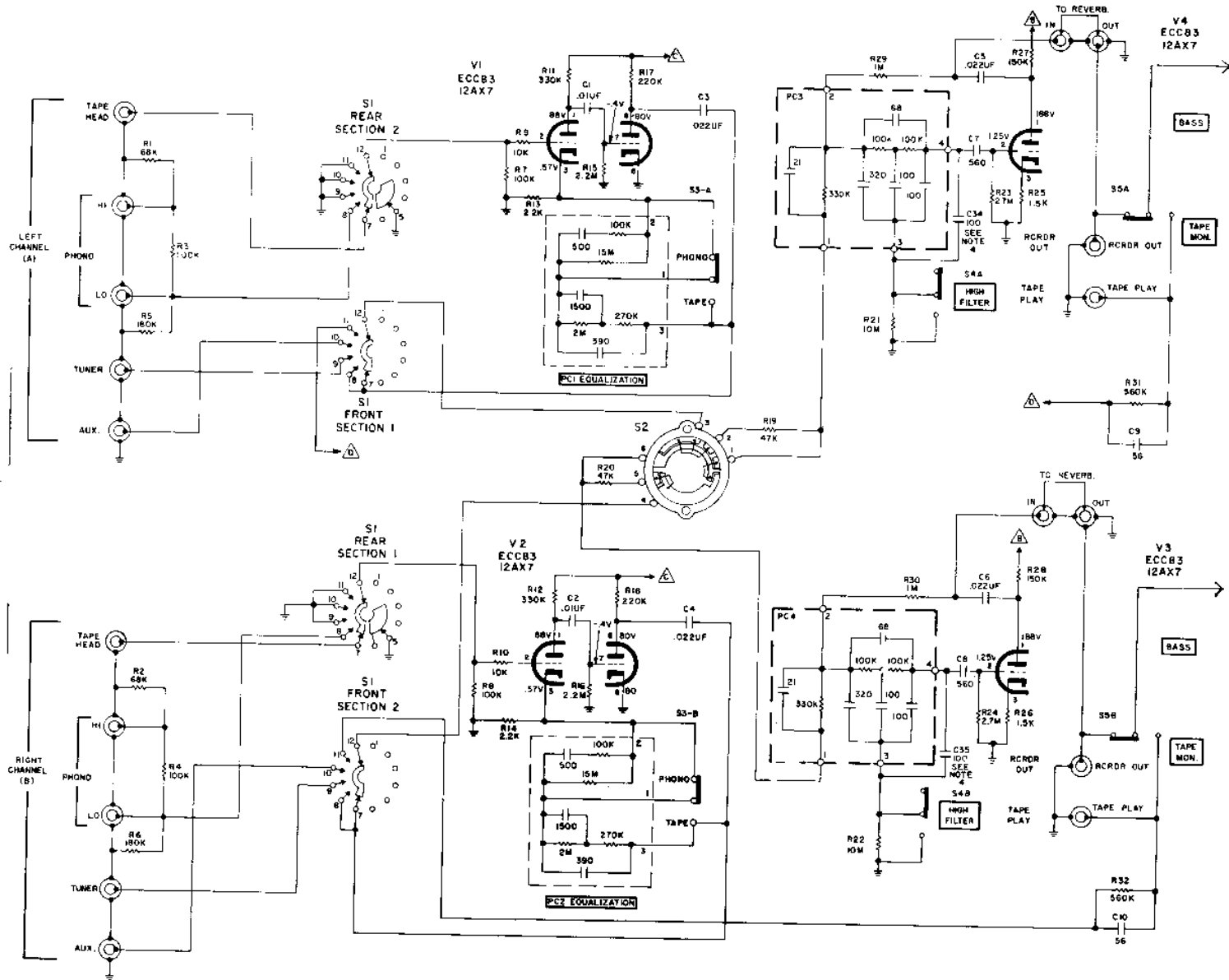
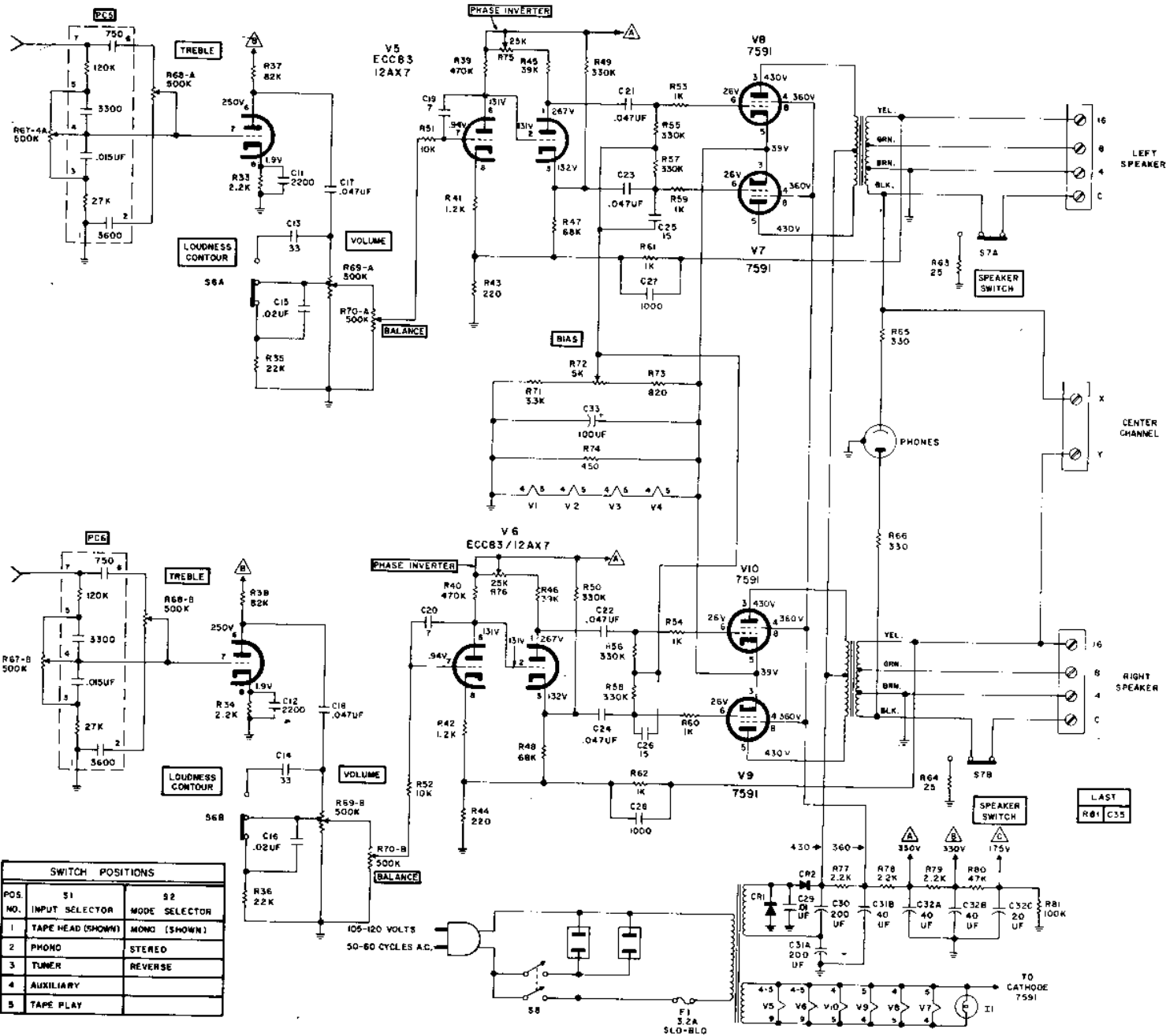


Amplificador estereofónico "The Fisher" X-100-A.



NOTES:

1. FOR ALL VOLTAGE AND CURRENT MEASUREMENTS, LINE =117 V.A.C.
2. DC VOLTAGE MEASURED WITH VPM TO CHASSIS WITH NO SIGNAL INPUT.
3. REAR SECTION OF DUAL CONTROLS USED IN LEFT CHANNEL; FRONT SECTION IN RIGHT.
4. CAPACITORS C34 AND C35 OMITTED IN SETS SERIALIZED 1000A TO 1000A.



SWITCH POSITIONS

POS. NO.	S1	S2
1	TAPE HEAD (SHOWN)	MONO (SHOWN)
2	PHONO	STEREO
3	TUNER	REVERSE
4	AUXILIARY	
5	TAPE PLAY	

LAST
R81 C35