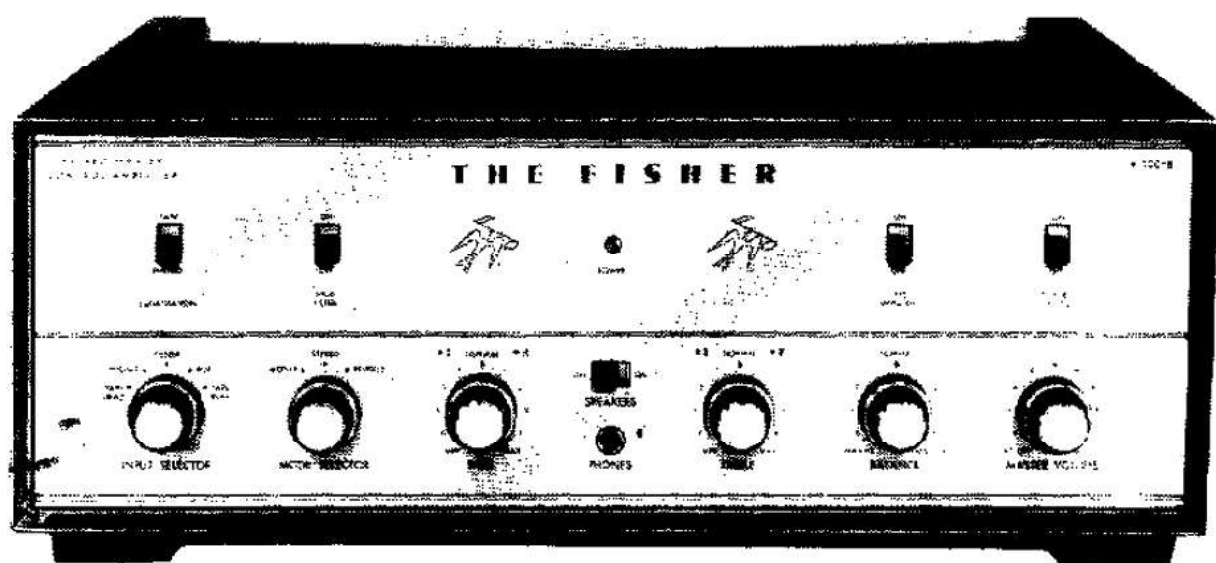


Service Manual

THE FISHER

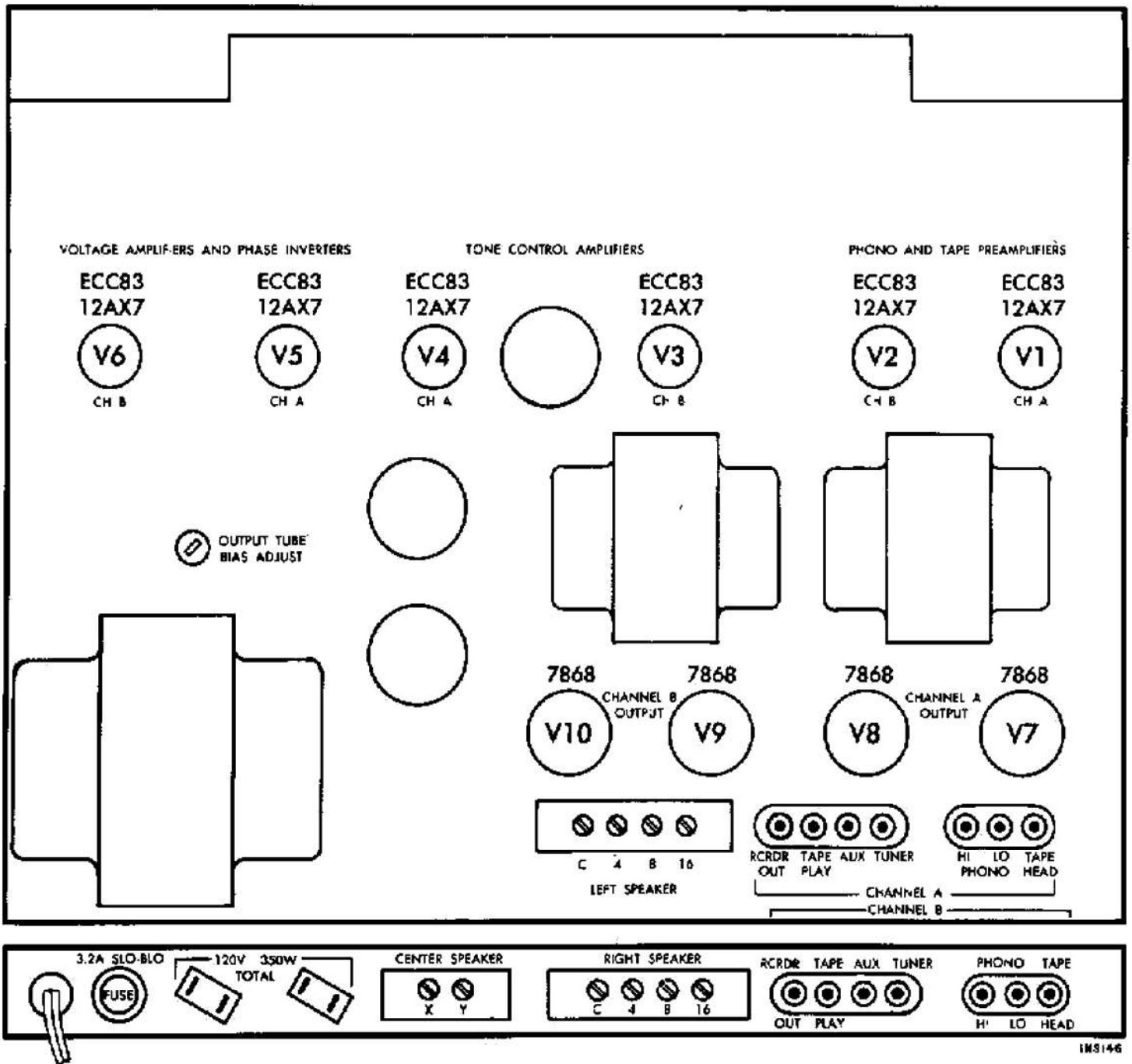


X-100-B

CHASSIS SERIAL NUMBERS
FROM 20001 TO 29999 INCLUSIVE

\$1.00

TUBE LAYOUT



1K5146

BIAS ADJUSTMENT

Adjust the Bias control until a reading of 40 volts is obtained on the cathode (pin 3) of any 7868 output tube.

PARTS DESCRIPTION LIST

CAPACITORS

10 % tolerance for all fixed capacitors, unless otherwise noted or marked GMV (guaranteed minimum value). All capacitors not marked uf are pF (uuf).

Symbol	Description	Part No.
C1	Electrolytic, 200uf, 250V	C50180-20
C2	Electrolytic, 2 section: A — 200uf, 250V B — 40uf, 500V	C50180-19
C3	Electrolytic, 3 section: A — 40uf, 450V B — 40uf, 400V C — 20uf, 300V	C50180-18
C4	Electrolytic, 100uf, 100V	C663-143
C5, 6	Ceramic, .01uf, 20 %, 500V	C50089-3
C7, 8	Mylar, .022uf, 400V	C50197-28
C9, 10	Ceramic, 68, 1000V	C50070-16
C11, 12	Ceramic, 680, 1000V	C50072-2
C13, 14	Mylar, .022uf, 400V	C50197-28
C15, 16	Ceramic, 180, 1000V	C50072-23
C17, 18	Mylar, .047uf, 400V	C50197-30
C19, 20	Ceramic, 68, 1000V	C50070-16
C21, 22	Mylar, .022uf, 250V	C50197-50
C23, 24	Ceramic, 180, 5 %, 1000V	C50072-23
C25, 26, 27, 28	Mylar, .047uf, 400V	C50197-30
C29, 30	Ceramic, 680, 1000V	C50072-2
C31, 32	Ceramic, 10, 1000V	C50070-11
C33	Molded, 01uf, 20 %, 600V	C2747

RESISTORS AND POTENTIOMETERS

In Ohms, 5 % tolerance, 1/2 Watt, unless otherwise noted. K = Kilohms, M = Megohms.

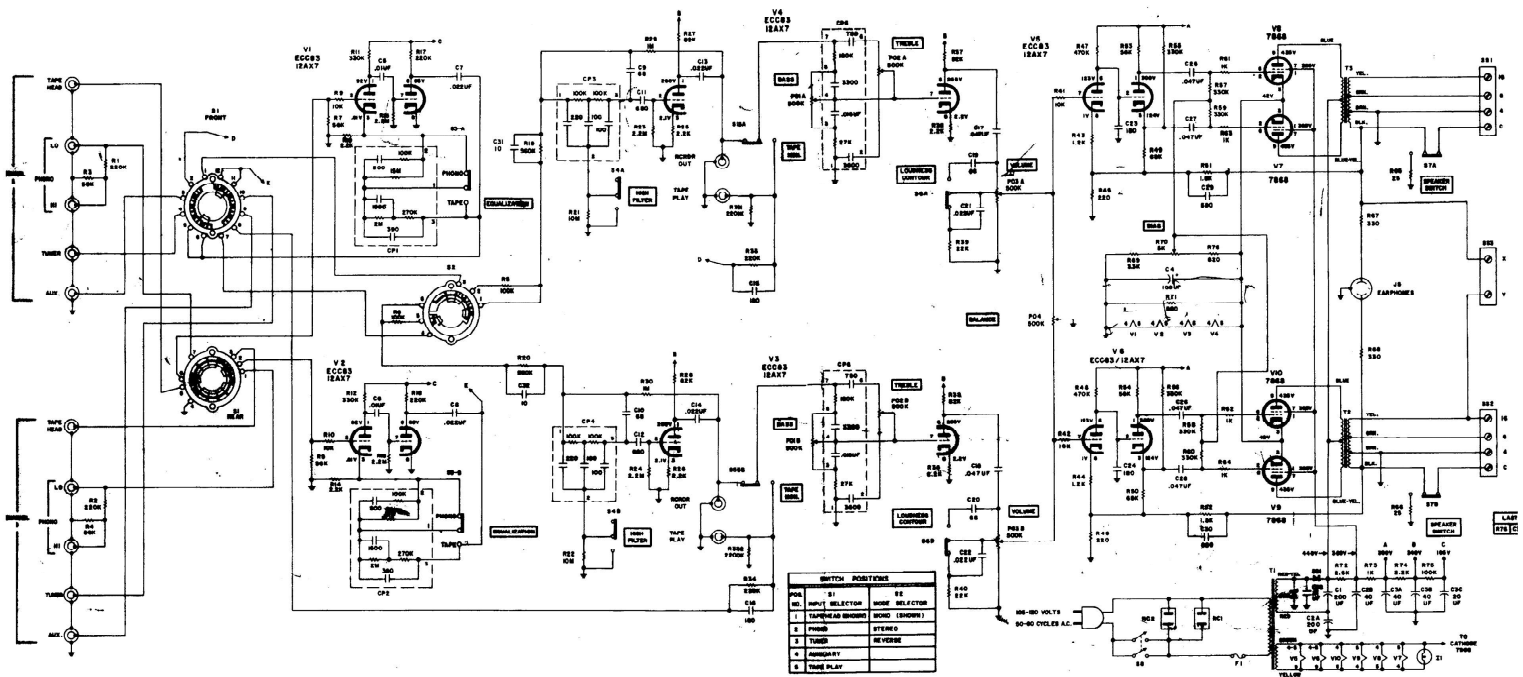
Symbol	Description	Part No.
R1, 2	Dep. Carbon, 220K	R33DC224J
R3, 4	Dep. Carbon, 56K	R33DC563J
R5, 6	Dep. Carbon, 100K	R33DC104J
R7, 8	Dep. Carbon, 56K	R33DC563J
R9, 10	Dep. Carbon, 10K	R33DC103J
R11, 12	Glass, 330K, 1W	R30G334J
R13, 14	Glass, 2.2K, 1W	R30G222J
R15, 16	Dep. Carbon, 2.2M	R33DC225J
R17, 18	Dep. Carbon, 220K	R33DC224J
R19, 20	Dep. Carbon, 560K	R33DC564J
R21, 22	Composition, 10M, 10 %, 1/2 W	RC208F104K
R23, 24	Dep. Carbon, 2.2M	R33DC225J
R25, 26	Dep. Carbon, 2.2K	R33DC222J
R27, 28	Dep. Carbon, 82K	R33DC823J
R29, 30	Dep. Carbon, 1M	R33DC105J
R31, 32, 33, 34	Dep. Carbon, 220K	R33DC224J

R35, 36	Dep. Carbon, 2.2K	R33DC222J
R37, 38	Dep. Carbon, 82K	R33DC823J
R39, 40	Dep. Carbon, 22K	R33DC223J
R41, 42	Dep. Carbon, 10K	R33DC103J
R43, 44	Dep. Carbon, 1.2K	R33DC122J
R45, 46	Dep. Carbon, 220	R33DC221J
R47, 48	Dep. Carbon, 470K	R33DC474J
R49, 50	Dep. Carbon, 68K	R33DC683J
R51, 52	Dep. Carbon, 1.8K	R33DC182J
R53, 54	Dep. Carbon, 56K	R33DC563J
R55, 56, 57, 58, 59, 60	Dep. Carbon, 330K	R33DC334J
R61, 62, 63, 64	Dep. Carbon, 1K	R33DC102J
R65, 66	Glass, 25, 10 %, 5W	RPG5W250K
R67, 68	Composition, 330, 10 %, 1W	RC308F331K
R69	Composition, 3.3K, 1/2 W	RC208F332J
R70	Potentiometer, 5K, Bias	R50103-4
R71	Glass, 560, 10 %, 5W	RPG5W561K
R72	Glass, 2.5K, 10 %, 10W	RPG10W252K
R73	Composition, 1K, 10 %, 1/2 W	RC208F102K
R74	Composition, 2.2K, 10 %, 1/2 W	RC208F222K
R75	Composition, 100K, 10 %, 1/2 W	RC208F104K
R76	Composition, 820, 10 %, 1/2 W	RC208F821K
PO1	Potentiometer, 500K, Dual Bass	R50160-127
PO2	Potentiometer, 500K, Dual Treble	R50160-127
PO3	Potentiometer, 500K, Dual Volume	R50160-128
PO4	Potentiometer, 500K, Balance	R50160-129

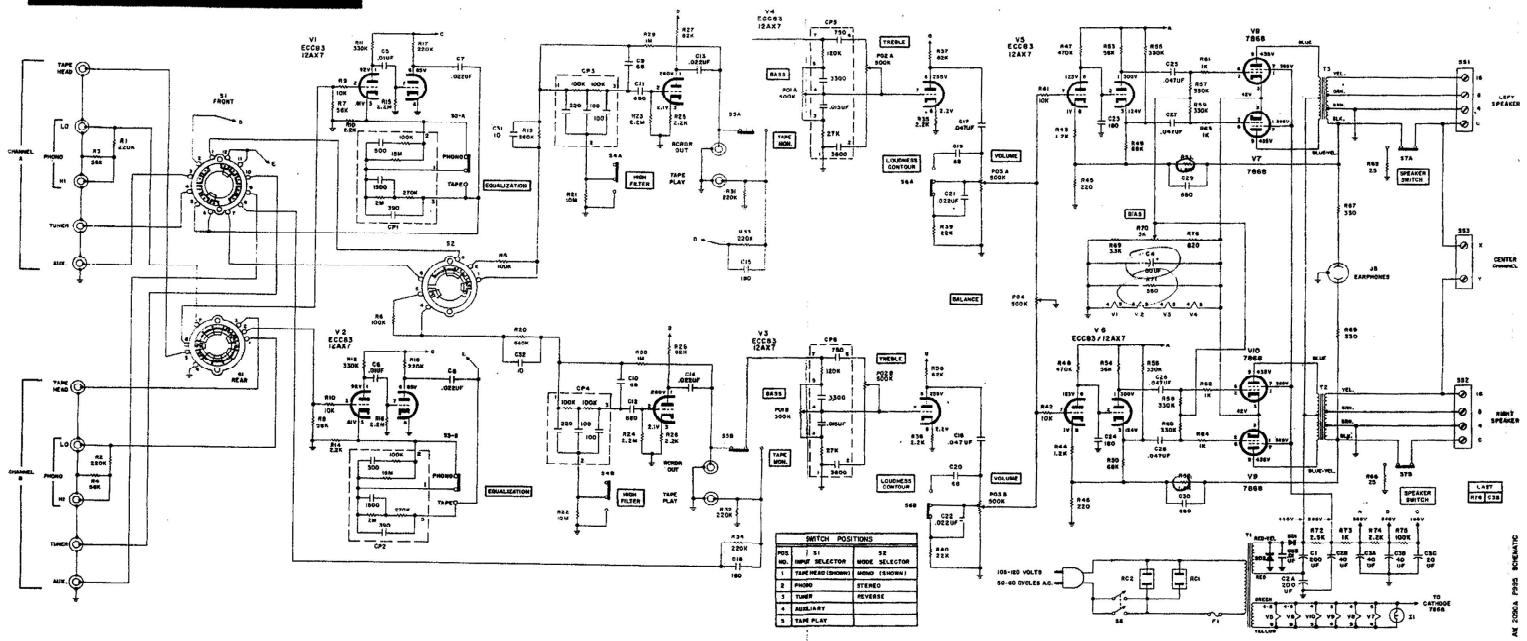
MISCELLANEOUS

Symbol	Description	Part No.
CP1, 2	Printed Circuit, Phono-Tape Equalization	PC50187-3
CP3, 4	Printed Circuit, High Filter	PC50187-2
CP5, 6	Printed Circuit, Tone Control	PC50187-9
F1	Fuse, 3.2 Amp., Slo-Blo	F3319
I1	Pilot Lamp #470F	I50009-4
S1	Switch, Selector	S995-117
S2	Switch, Mode Selector	S995-114
S3, 4, 5, 6, 7	Switch, Slide	S50200-5
SD1, 2	Silicon Diode	SR50411-1
T1	Transformer, power	T951-115
T2	Transformer, output, CH B	T849-116-6
T3	Transformer, output, CH A	T849-116-5
—	Dress Panel	AS995-108
—	Tube Shield	E3287
—	Knob	E50324
—	Knob, dual front	E50323
—	Knob, dual rear	E50221
—	Fuse Holder	X563-151

SCHEMATIC DIAGRAM



SCHEMATIC DIAGRAM



SWITCH POSITIONS			
POS. 1	SR	SR	SR
POS. 2	SR	SR	SR
POS. 3	SR	SR	SR
POS. 4	SR	SR	SR
POS. 5	SR	SR	SR
POS. 6	SR	SR	SR
POS. 7	SR	SR	SR
POS. 8	SR	SR	SR
POS. 9	SR	SR	SR
POS. 10	SR	SR	SR