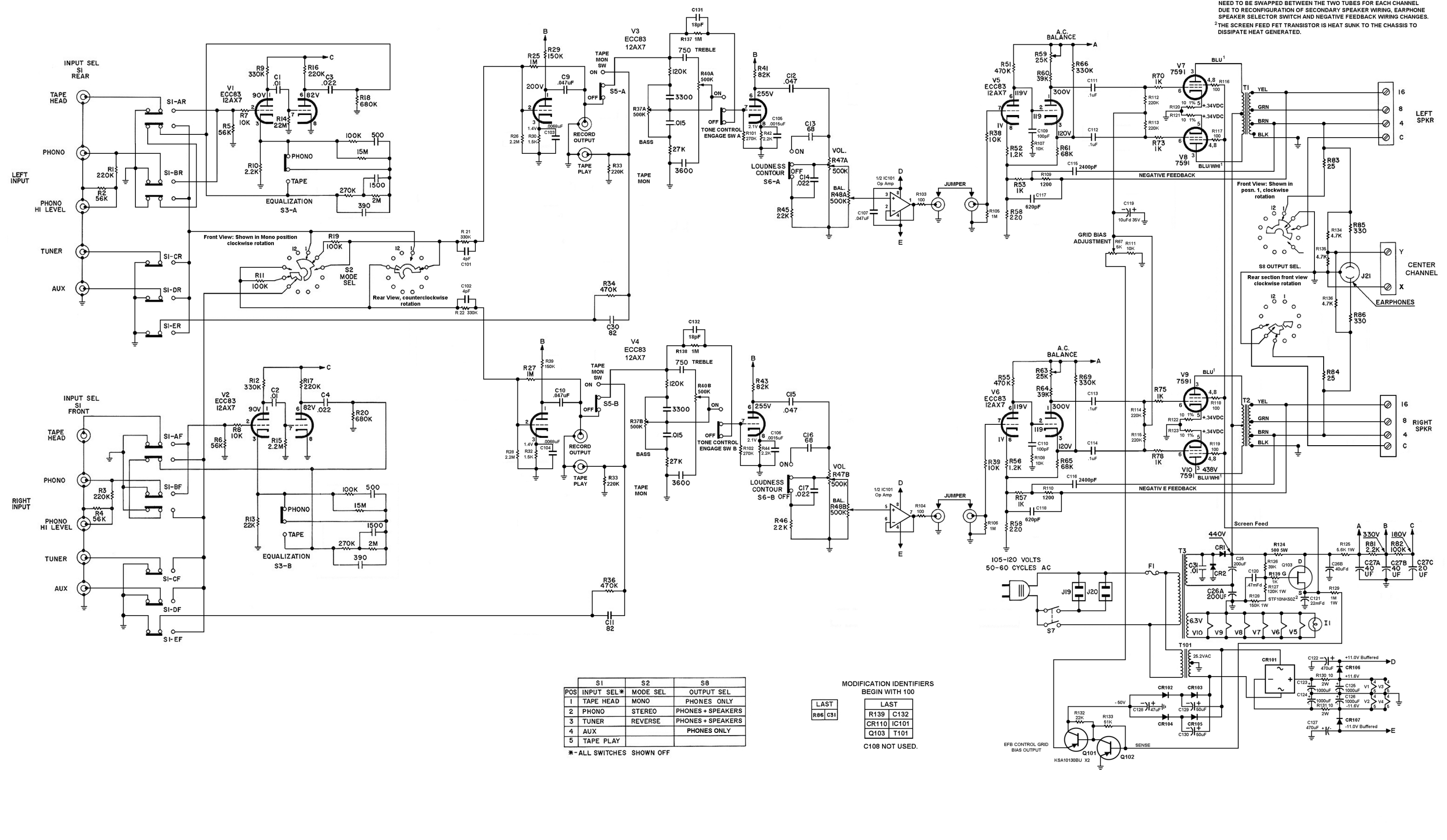


1 THE BLUE AND BLUE/WHITE PLATE LEADS OF THE OUTPUT TRANSFORMERS NEED TO BE SWAPPED BETWEEN THE TWO TUBES FOR EACH CHANNEL DUE TO RECONFIGURATION OF SECONDARY SPEAKER WIRING. EARPHONE SPEAKER SELECTOR SWITCH AND NEGATIVE FEEDBACK WIRING CHANGES.

2 THE SCREEN FEED FET TRANSISTOR IS HEAT SUNK TO THE CHASSIS TO DISSIPATE HEAT GENERATED.



	S1	S2	S8
POS	INPUT SEL*	MODE SEL	OUTPUT SEL
1	TAPE HEAD	MONO	PHONES ONLY
2	PHONO	STEREO	PHONES + SPEAKERS
3	TUNER	REVERSE	PHONES + SPEAKERS
4	AUX		PHONES ONLY
5	TAPE PLAY		

\* - ALL SWITCHES SHOWN OFF

MODIFICATION IDENTIFIERS BEGIN WITH 100

LAST	LAST
R86 C31	R139 C132
	CR110 IC101
	Q103 T101

C108 NOT USED.

NOTES:

1. PARTS FOR PEC CIRCUITS IN EQUALIZATION AND TONE CONTROLS ARE SHOWN ON THE SCHEMATIC, BUT NOT LISTED IN THE BOM, AS SOME MAY CHOOSE NOT TO REPLACE THOSE PARTS. IF IT IS DESIRED TO CHANGE THOSE PARTS, USE HIGH QUALITY METAL FILM RESISTORS AND FILM, CERAMIC OR DIPPED MICA CAPACITORS.

	50			
	49			
	48			
	47			
	46			
	45			
	44			
	43			
	42			
1.0	41	Transistor, STF10NK50Z	Q103	
2.0	40	Transistor, KSA10130	Q101 Q102	
	39			
	38			
3.0	37	4.7K Resistor, 1 W 5%	R134 - R136	
1.0	36	51K Resistor, 1/4 W 5%	R133	
1.0	35	22K Resistor, 1/4 W 5%	R132	
2.0	34	10 Ohm Resistor, 2W 5%	R130 R131	
1.0	33	1M Resistor, 1 W 5%	R129	
1.0	32	150K Resistor, 1 W 5%	R128	
1.0	31	120K Resistor, 1 W 5%	R127	
1.0	30	39K Resistor, 1/4 W 5%	R126	
1.0	29	1K Resistor, 1/4 W 5%	R139	
1.0	28	6.8K Resistor, 1 W 5%	R125	
1.0	27	500 Ohm Resistor, 5 W 5%	R124	
4.0	26	10 Ohm Resistor, 1/4 W 5%	R120 R121 R122 R123	
4.0	25	220K Resistor, 1/4 W 5%	R112 R113 R114 R115	
2.0	24	1.2K Resistor, 1/4 W 5%	R109 R110	
3.0	23	10K Resistor, 1/4 W 5%	R107 R111 R108	
2.0	22	1M Ohm Resistor, 1/4 W 5%	R105 R106 R137 R138	
6.0	21	100 Ohm Resistor, 1/4 W 5%	R103 R104 R116 - R119	
2.0	20	270K Resistor, 1/4 W 5%	R101 R102	
6.0	19	Rectifier, 1A at 400PIV	CR102 - CR107	
1.0	18	Rectifier, bridge, 4A at 200PIV	CR101	
	17			
2.0	16	18pF, Capacitor, 100V - 500V ceramic or mica	C131 C132	
2.0	15	50uF, Capacitor, 100V, electrolytic	C129 C130	
1.0	14	47uF, Capacitor, 100V, electrolytic	C128	
4.0	13	1000uF, Capacitor, 35V electrolytic	C123, C124 C125, C126	
2.0	12	470uF, Capacitor, 35V electrolytic	C122 C127	
1.0	11	22uF, Capacitor, 450V electrolytic	C121	
1.0	10	.47uF, Capacitor, 500-630V film	C120	
1.0	9	10uF, Capacitor, 35V electrolytic	C119	
2.0	8	620pF, Capacitor, 500-630V, ceramic, mica or film	C117 C118	
2.0	7	2400pF Capacitor, 500-630V, film	C115 C116	
4.0	6	.1uF Capacitor, 500-630V, film	C111 - C114	
2.0	5	100pF Capacitor, 500V, disc ceramic or silver mica	C109 C110	
2.0	4	.047uF Capacitor, 25-50V, film	C107	
2.0	3	.0015uF Capacitor, 500-630V, film	C105 C106	
2.0	2	.0068uF Capacitor, 500-630V, film	C103 C104	
2.0	1	4pF Capacitor, 50-500V ceramic or silver mica	C101 C102	
QUANTITY	ITEM NO.	DESCRIPTION	REF.	NOTES