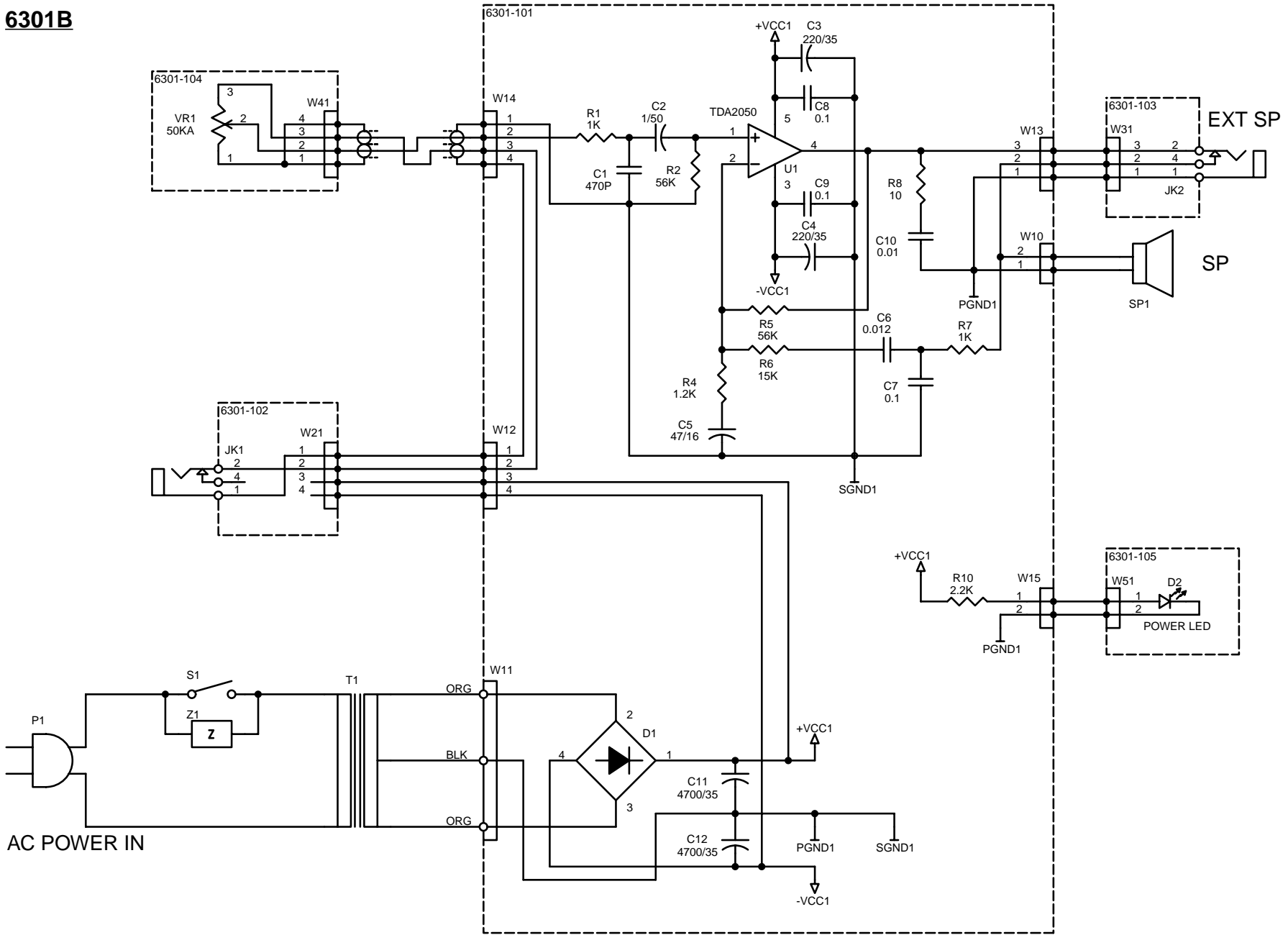
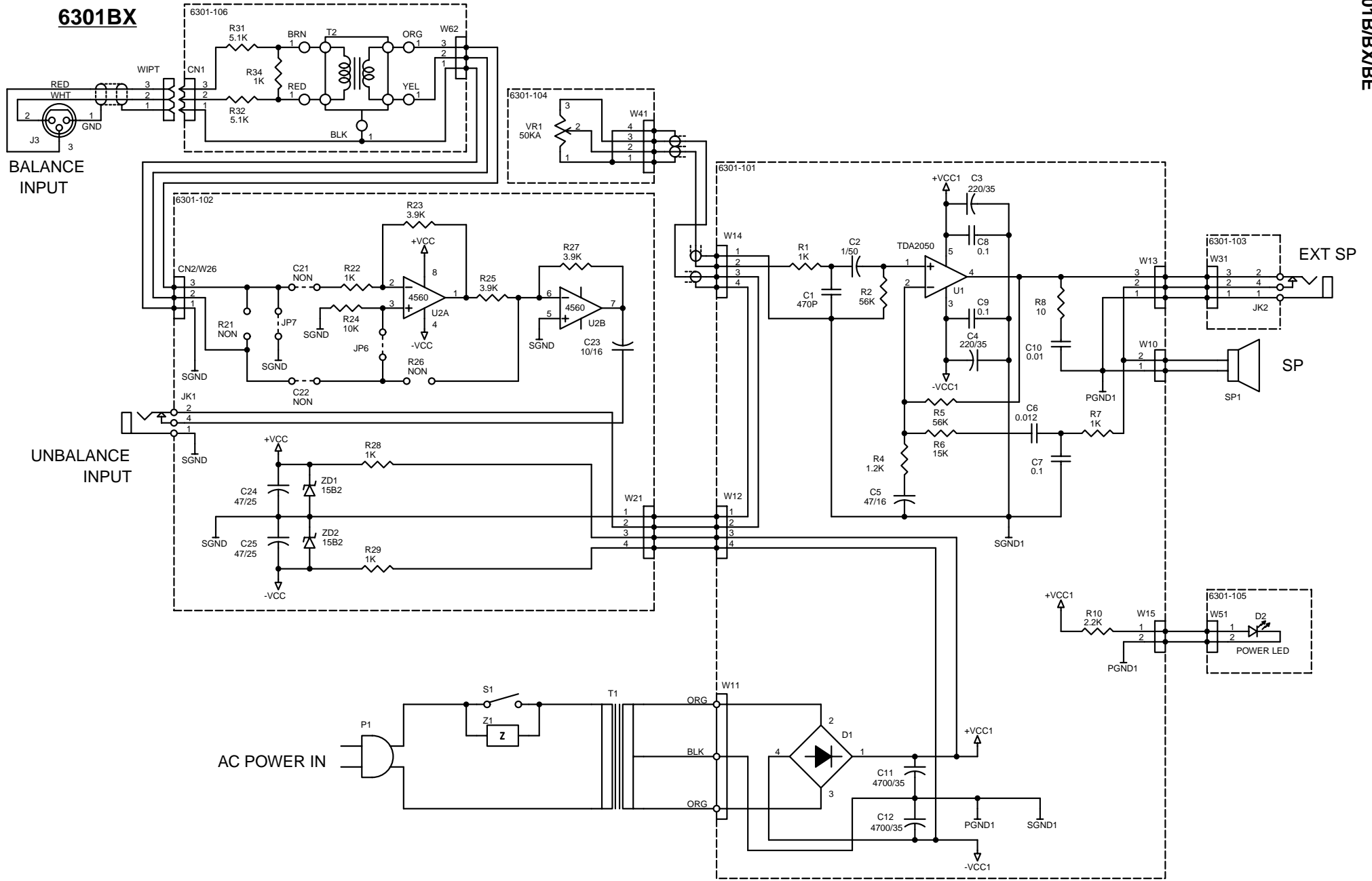


6301B

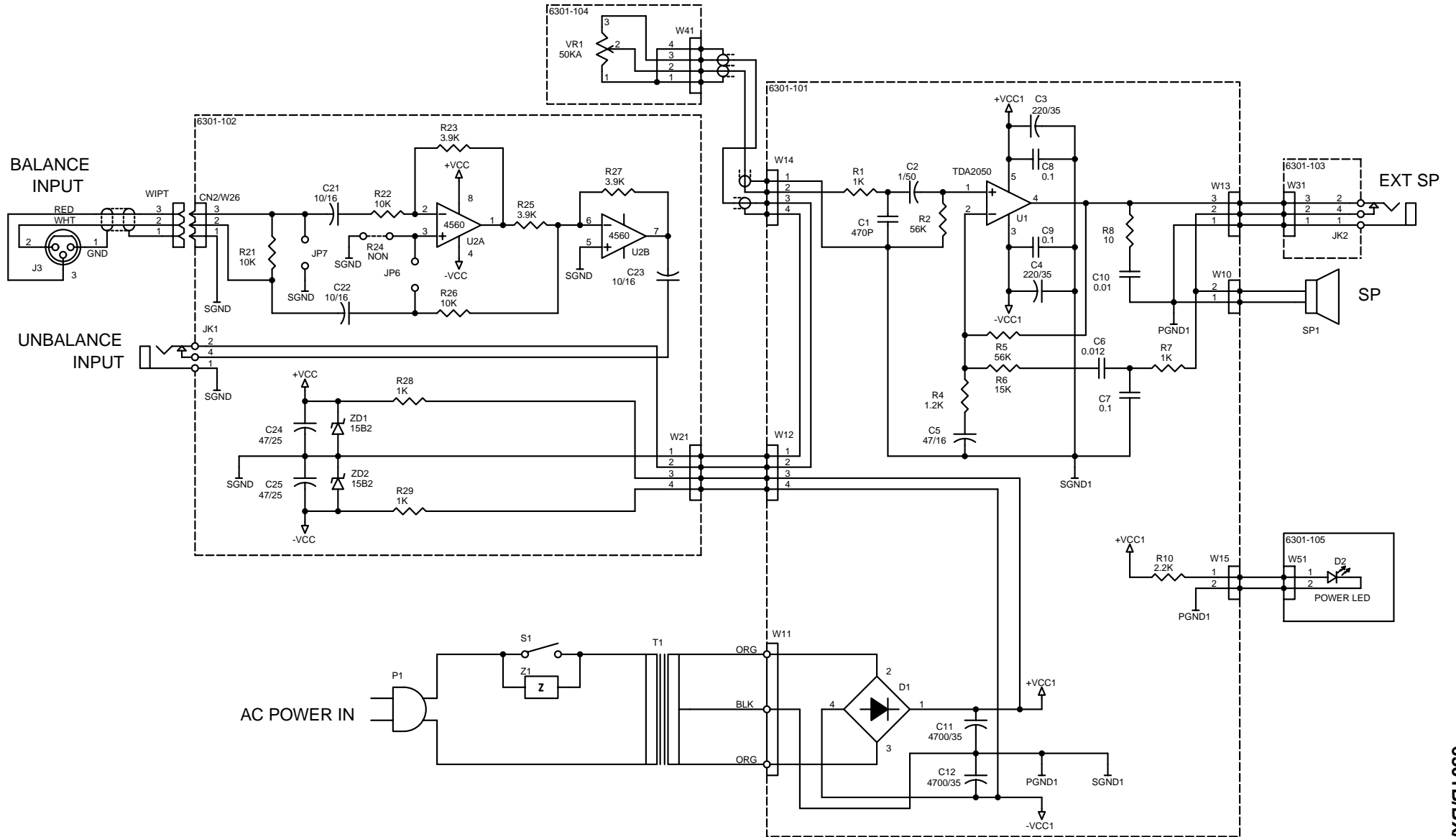


5. CIRCUIT DIAGRAMS

# 6301BX



# 6301BE



6301B/BX/BE