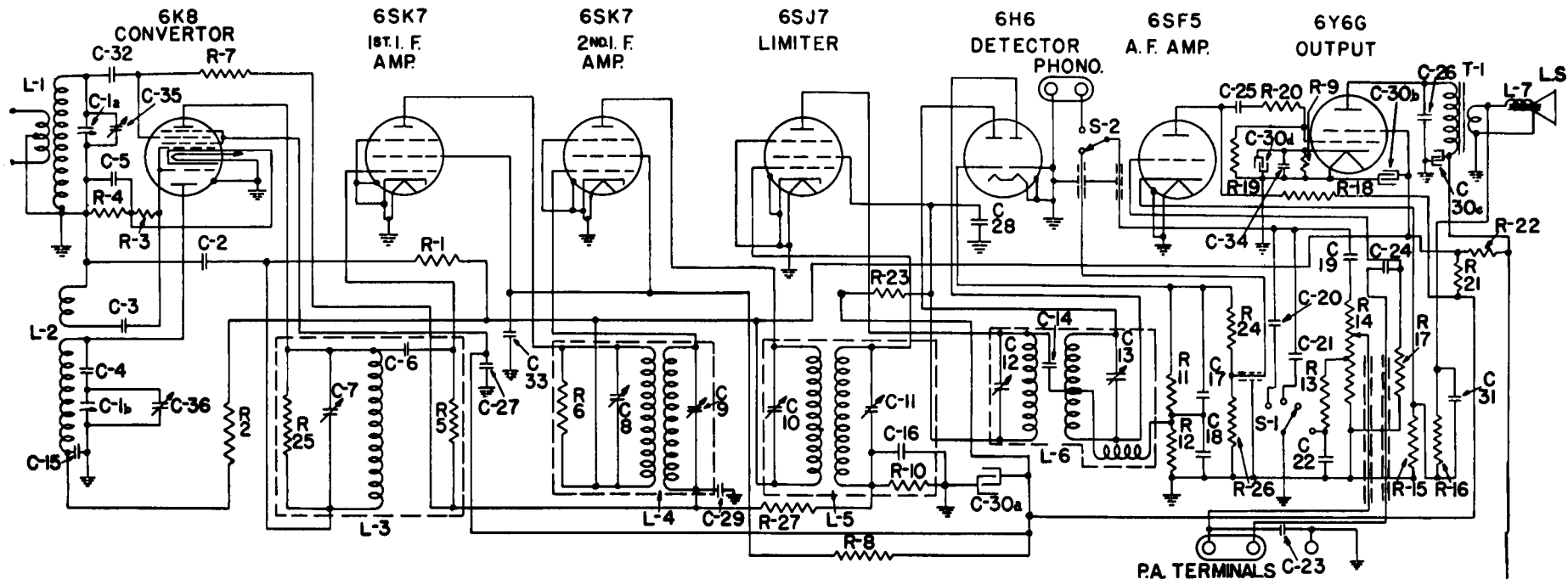


• G.E. MODEL HM-80 FREQUENCY MODULATION RECEIVER •



Symbol	Description	Symbol	Description	Symbol	Description
C-1	- 20 mfd. tuning condenser	C-30b	- 20 mfd. 250 V. dry electrolytic	R-15	- 82 ohms 1/2 W. carbon
C-2	- .02 mfd. 400 V. paper	C-30c	- 40 mfd. 250 V. dry electrolytic	R-16	- 220 ohms 1/2 W. carbon
C-3	- 47 mfd. mica	C-30d	- 20 mfd. 25 V. dry electrolytic	R-17	- 15 megohms 1/2 W. carbon
C-4	- 1200 mfd. mica	C-31	- 0.1 mfd. 200 V. paper	R-18	- 220 000 ohms 1/2 W. carbon
C-5	- .05 mfd. 200 V. paper	C-32	- 470 mfd. mica	R-19	- 470 000 ohms 1/2 W. carbon
C-6	- 500 mfd. trimmer	C-33	- 0.1 mfd. 400 V. paper	R-20	- 1500 ohms 1/2 W. carbon
C-14	- 47 mfd. mica	C-34	- .05 mfd. 200 V. paper	R-21	- 2200 ohms 1 W. carbon
C-15	- 470 mfd. mica	C-35	- 2-15 mfd. antenna trimmer	R-22	- 1600 ohms 3-1/2 W. wire wound
C-16	- 22 mfd. mica	C-36	- 7-85 mfd. air trimmer	R-23	- 2200 ohms 1/2 W. carbon
C-17	- 100 mfd. mica	R-1	- 2200 ohms 1/2 W. carbon	R-24	- 100 000 ohms 1/2 W. carbon
C-18	- 100 mfd. mica	R-2	- 6900 ohms 1/2 W. carbon	R-25	- 33 000 ohms 1/2 W. carbon
C-19	- .005 mfd. 70 V. paper	R-3	- 47000 ohms 1/2 W. carbon	R-26	- 220 000 ohms 1/2 W. carbon
C-20	- .002 mfd. 600 V. paper	R-4	- 330 ohms 1/2 W. carbon	R-27	- 2.2 megohms 1/2 W. carbon
C-21	- 470 mfd. mica	R-5	- 470 000 ohms 1/2 W. carbon	S-1	- tune switch
C-22	- .002 mfd. 600 V. paper	R-6	- 47 000 ohms 1/2 W. carbon	S-2	- phono switch
C-23	- 220 mfd. mica	R-7	- 470 000 ohms 1/2 W. carbon	S-3	- power switch - on S-2
C-24	- .005 mfd. 400 V. paper	R-8	- 4 700 ohms 1/2 W. carbon	L-1	- antenna transformer
C-25	- .05 mfd. 400 V. paper	R-9	- 220 ohms 2 W. carbon	L-2	- oscillator transformer
C-26	- .005 mfd. 600 V. paper	R-10	- 330 000 ohms 1/2 W. carbon	L-3	- 1st IF transformer
C-27	- .005 mfd. 400 V. paper	R-11	- 100 000 ohms 1/2 W. carbon	L-4	- 2nd IF transformer
C-28	- .05 mfd. 400 V. paper	R-12	- 100 000 ohms 1/2 W. carbon	L-5	- IF limiter
C-29	- .05 mfd. 200 V. paper	R-13	- 120 000 ohms 1/2 W. carbon	L-6	- Music. transformer
C-30a	- 20 mfd. 250 V. Dry electrolytic	R-14	- 2 megohms volume control		

