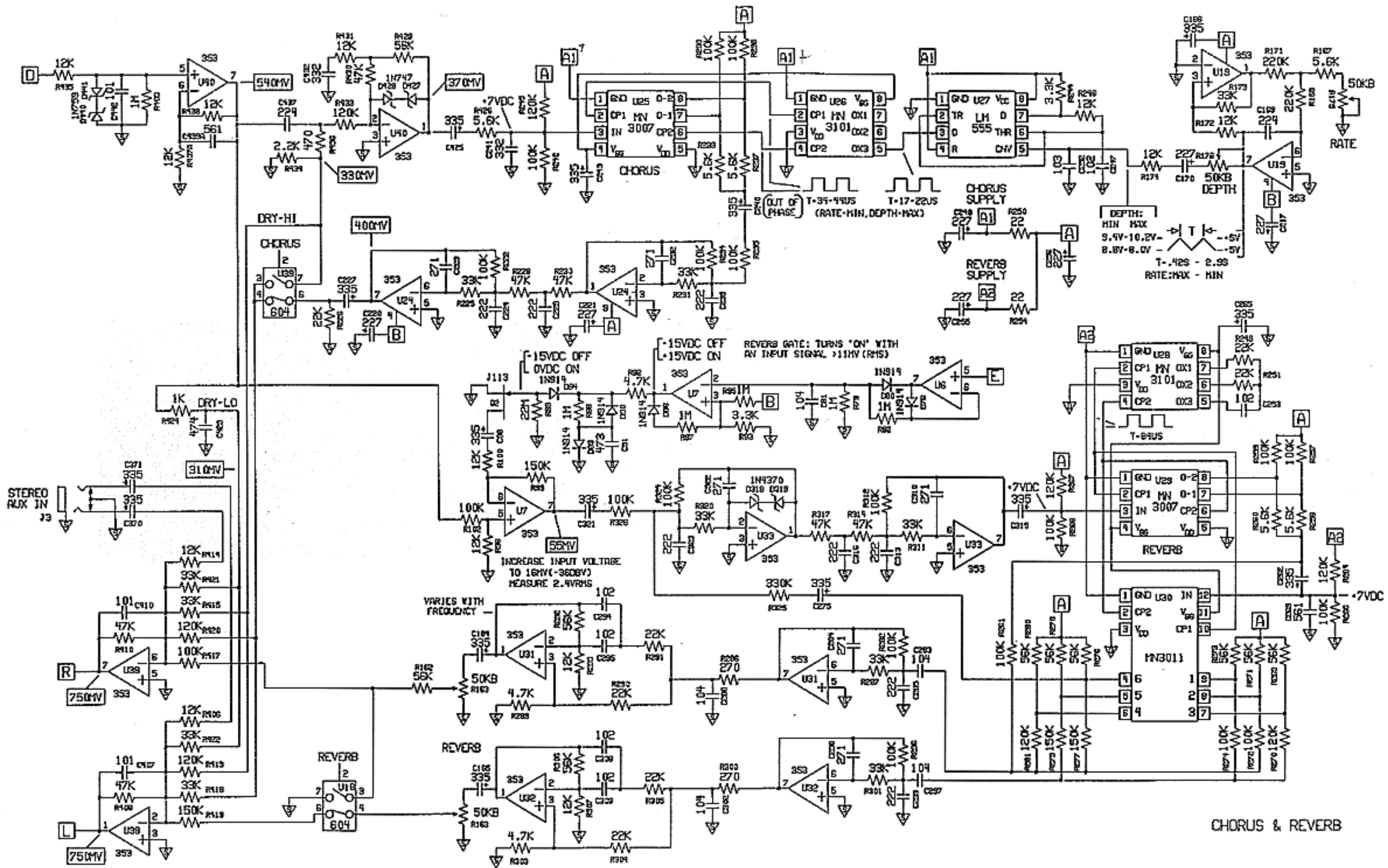
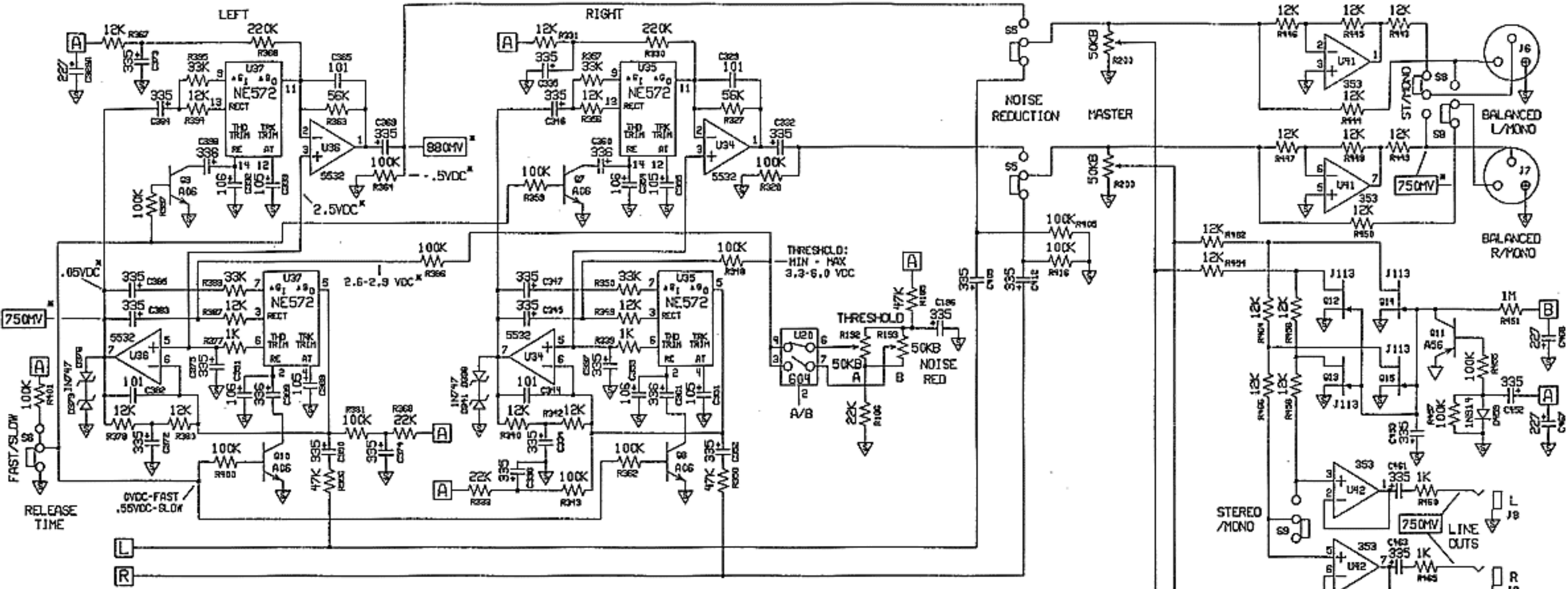


RMS VOLTAGE WITH 400HZ, 5mV INPUT VOLUMES & TONE ON 10 GAIN ON 10, THRESH. ON 0 NOISE RED. & EFFECTS OFF
 SAME WITH 0.5mV INPUT

A&B CHANNELS POWER SUPPLY



CHORUS & REVERB



NOTE: * MEANS THE MEASUREMENTS ARE THE SAME FOR BOTH CHANNELS (LEFT & RIGHT) EVEN THOUGH ONLY SHOWN FOR ONE.

