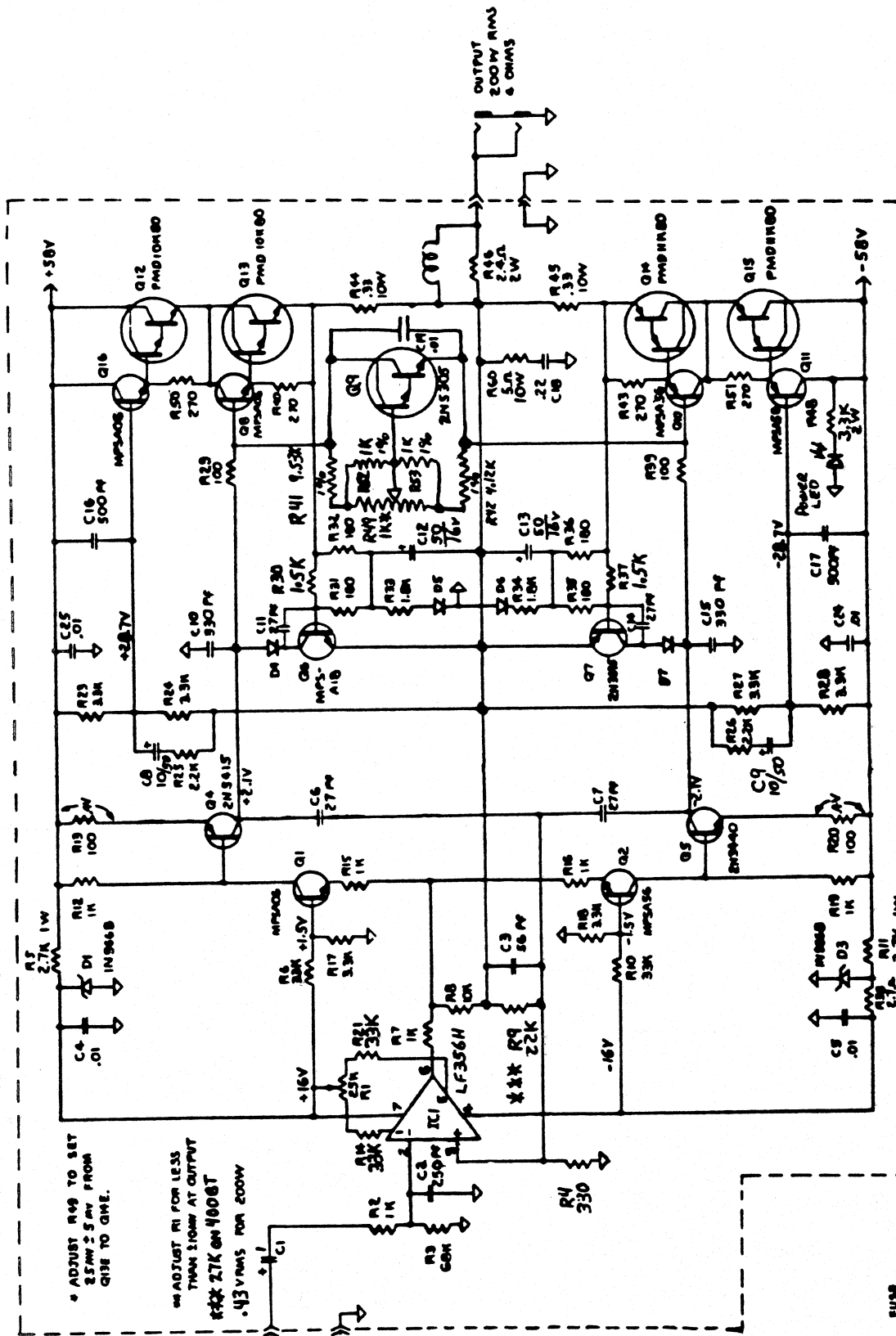


DESIGNED BY	BOB GALLIEN	DATE	
DESIGNED BY	BOB GALLIEN	DATE	
PROJECT NO.	50019 B	REV.	60024
REV.			
REV.			
REV.			
REV.			

VERY EARLY



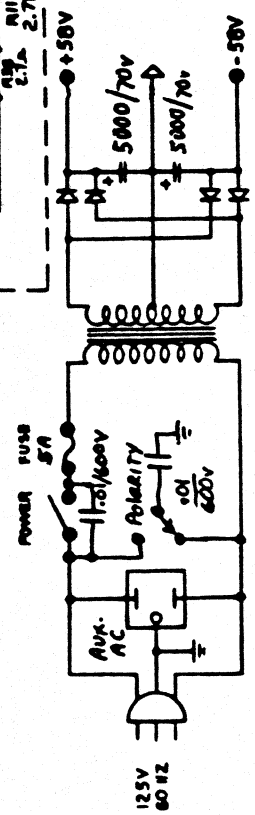
VERY EARLY
POWER AMP
400B

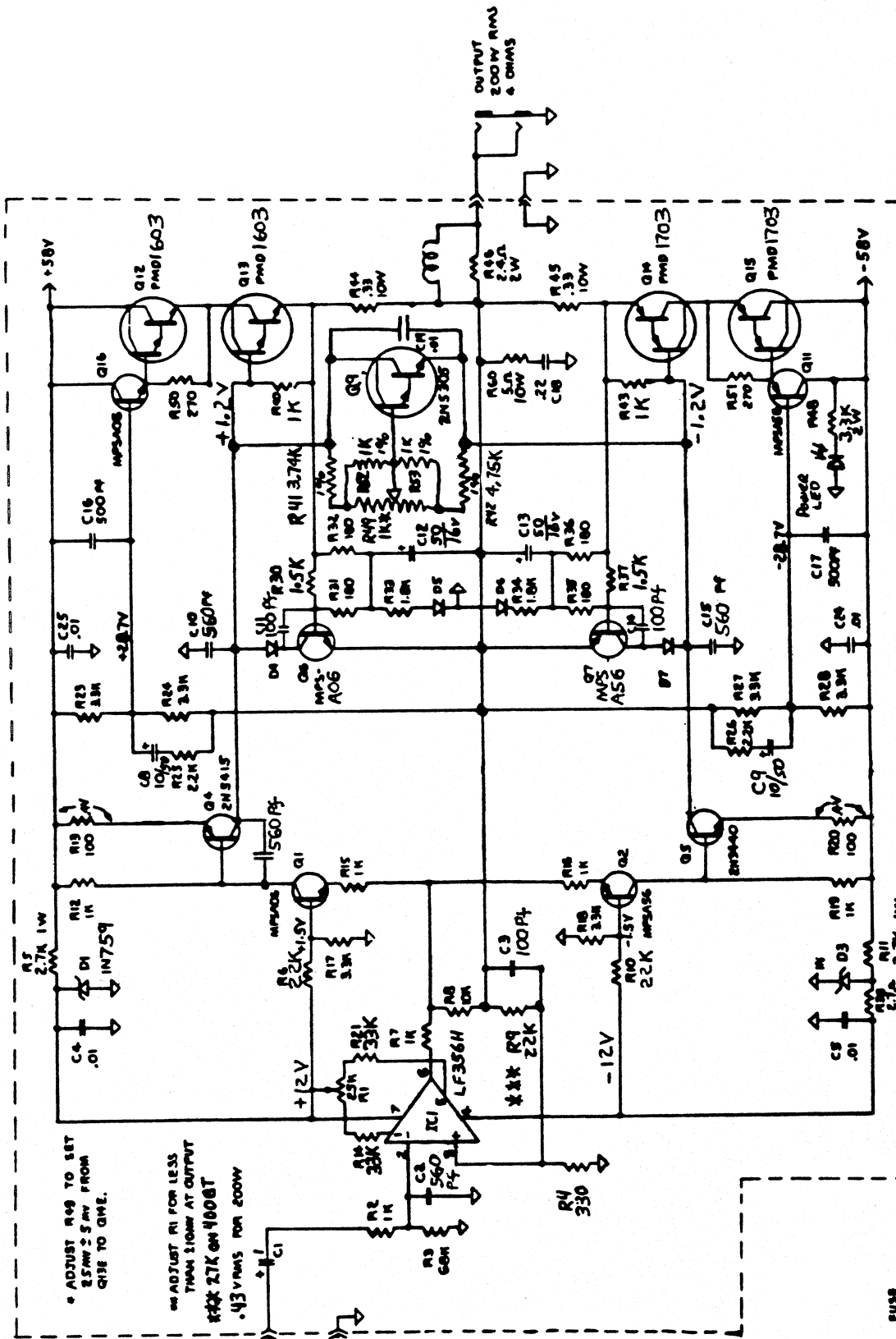


* ADJUST R49 TO SET
2.5mV ± 5mV FROM
GISE TO GIME.

** ADJUST R1 FOR LESS
THAN 210mV AT OUTPUT
RICK 27K ON 400BT
.43V RMS FOR 200W

Part No.	SN-6629
Description	POWER AMP 400B, 400GT
Manufacturer	GMT
Revision	60024 EARLY

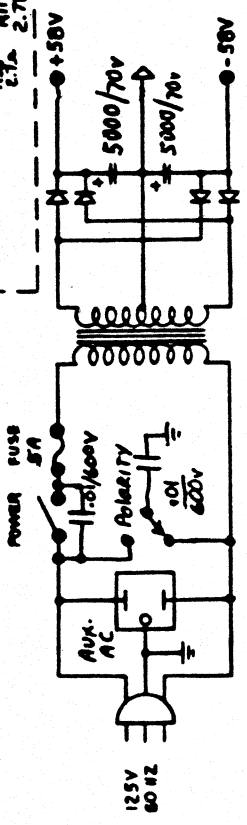




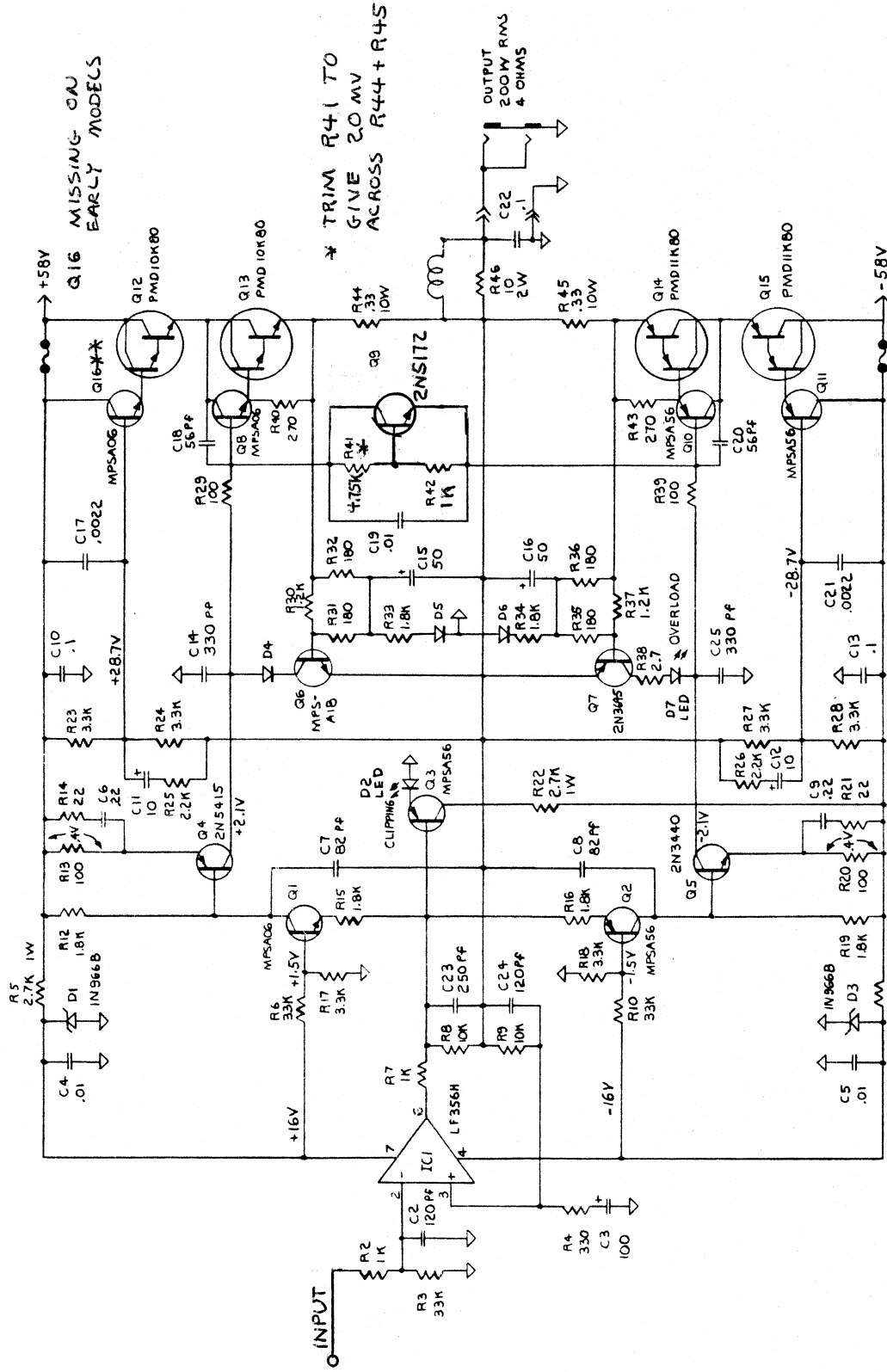
• ADJUST R48 TO SET
25mA ± 5mA FROM
Q1SE TO GME.

• ADJUST R1 FOR LESS
THAN 150mV AT OUTPUT
R48 27K ON 400BT
.43 V RMS FOR 200W

DESIGNED BY	BOB GALLIEN	DATE	
CHECKED BY	BOB GALLIEN	DATE	
SERIAL 9932		POWER AMP	
400B, 4-006T		NONE	
GM		60024	
		LATE	



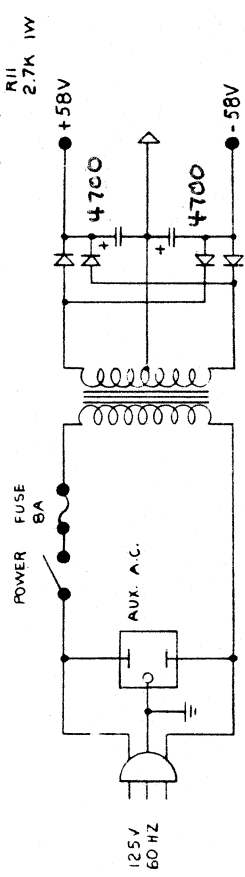
POWER AMP



MISSING GA
EARLY MODELS

* TRIM R44 TO
GIVE 20MV
ACROSS R44 + R45

OUTPUT
200W RMS
& OHMS



DESIGNED BY: BOB GALLIEN	DATE: XXX.X.XXX	BY:	DATE:
DRAWN BY: BOB GALLIEN	DATE: XXX.X.XXX	SCALE:	
ENGINEER:		REVISION:	
RELEASED:		TITLE: POWER AMP 400B	
MATERIAL:		PRINT NO: 60014	
		GM	