

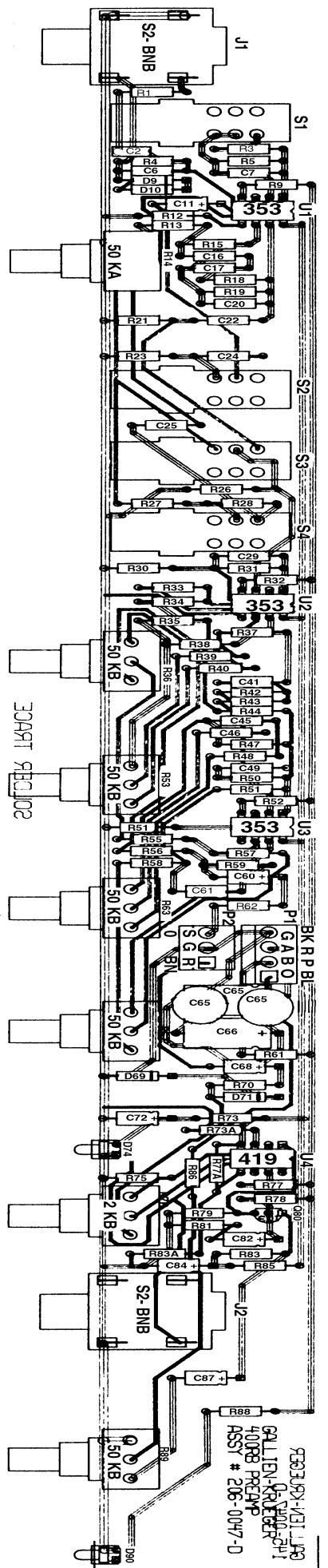
RECEIVED
GALLIEN-KRUEGER
403-0041-C

403-0041 REV C
GALLIEN-KRUEGER

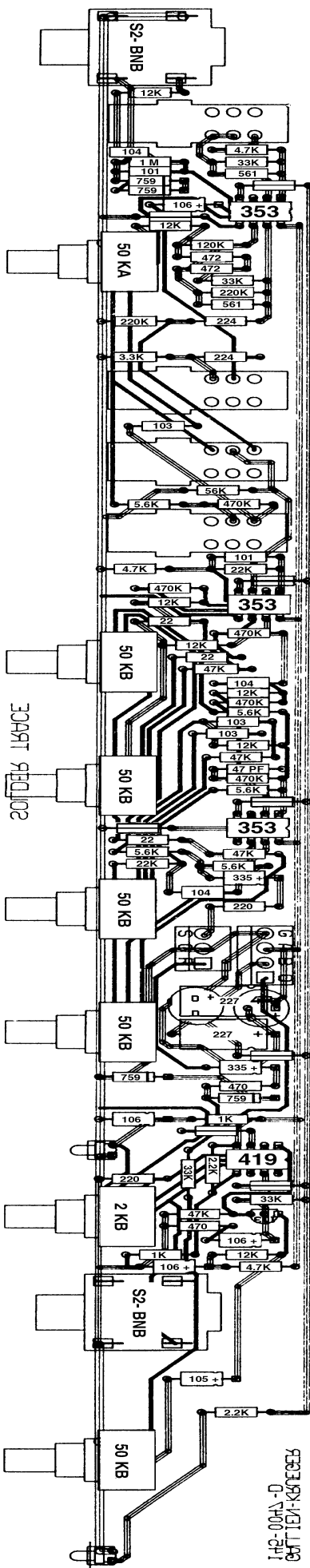
| PCO# | DATE |
|------|------|
| | |
| | |
| | |

| | | | | | | | |
|-----------------|--------|--------------|--------|----------|------------|--------------|------------------------|
| GALLIEN-KRUEGER | | MODEL #: | 400RB | DATE: | 3/26/92 | DESCRIPTION: | POWER AMP/SUPPLY BOARD |
| CIRCUIT BOARD | DBF: | DESIGNED BY: | R.A.G. | BOARD #: | 206-0041-C | REV#-DATE: | FROM SN: TO SN: |
| ARTWORK | 50041C | | | | | | |

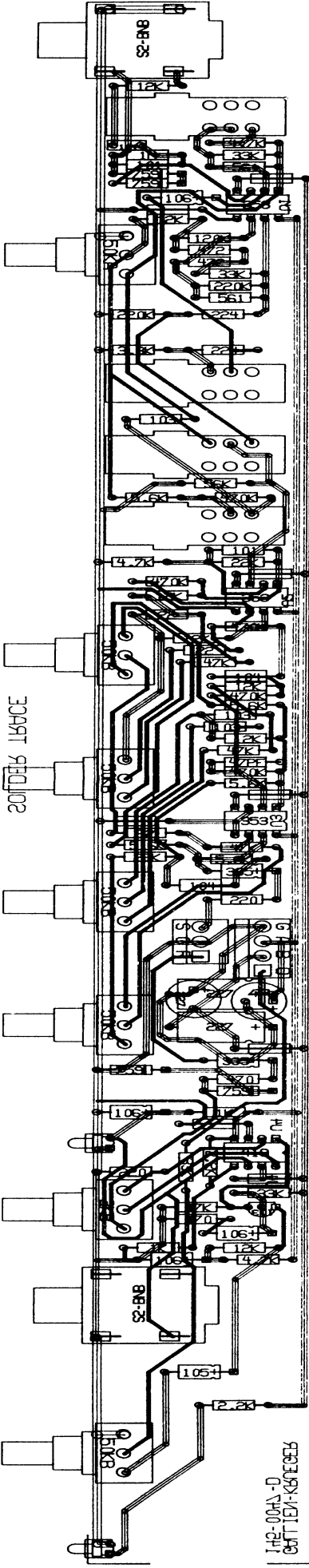
Ref. desig.



Values



Traces



COMPONENT SIDE SHOWN

| | | | |
|----------------------------------|----------|-----------------------|------------------------|
| GALLIEN TECHNOLOGY 408-441-8081 | MODEL #: | DATE: | DESCRIPTION: |
| 2240 PAPERON, SAN JOSE, CA 95131 | 400RB | 2/14/95 | NEW 400RB PREAMP BOARD |
| CIRCUIT BOARD | DBF: | DESIGNED BY: BOARD #: | REV#-DATE: |
| ARTWORK | 50047D | MPJ/RAG | 145-0047-D |
| | | | FOR: (COMPANY) |
| | | | GALLIEN-KRUEGER |