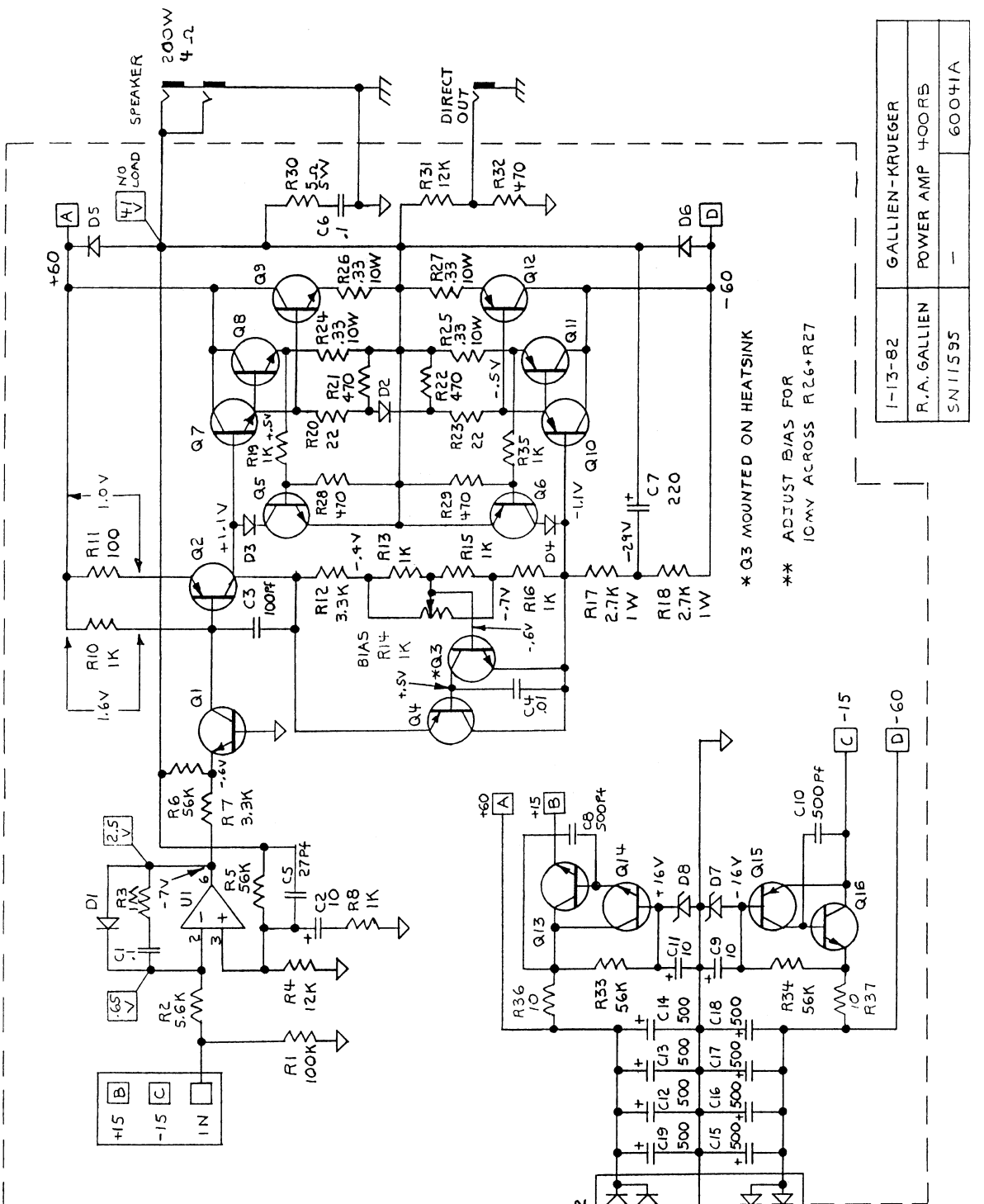


Q1, 3, 5, 14 MPS-A06  
 Q2, 10 MJE-15031  
 Q4, 6, 15 MPS-A56  
 Q7 MJE-15030  
 Q8, 9 M3-15001  
 Q11, 12 M3-15002  
 Q13, 16 TIP-31B

U1 LF351N  
 U2 KBPC-602

D1, 2, 3, 4, 5, 6-IN4002  
 D7, 8 IN966

R-37  
 C19



\* Q3 MOUNTED ON HEATSINK  
 \*\* ADJUST BIAS FOR 10MV ACROSS R26+R27

I-13-82	GALLIEN-KRUEGER
R.A. GALLIEN	POWER AMP 400RS
SN11595	60041A

