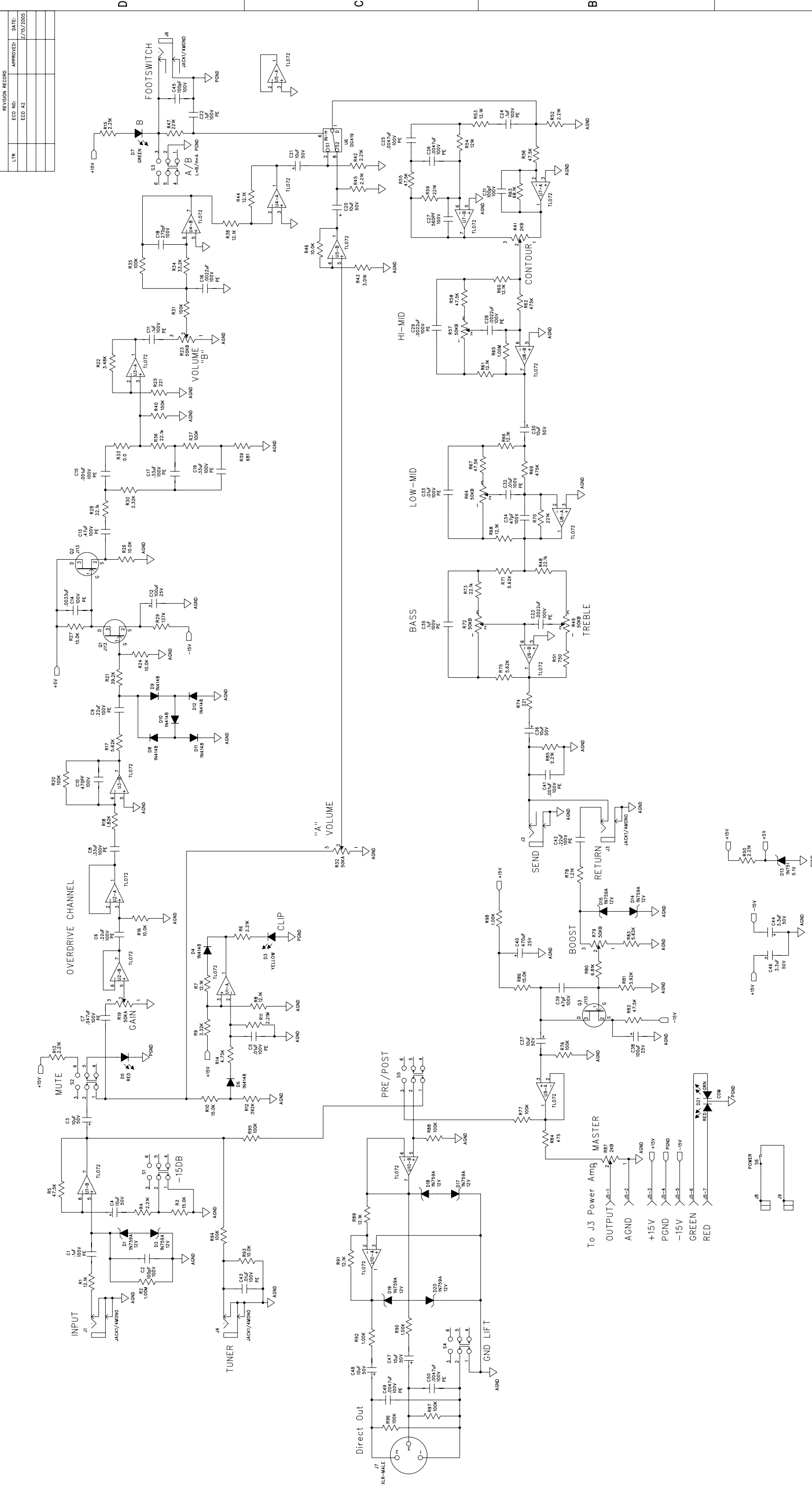


Customer Name:		Gallien-Krueger		Current Rev #:	A1	New ECO Rev #:	A2		
Model:		Backline 250, 600, 115 Combo, and 210 Combo		Distribute To:		Page:	1	Of:	2
Assembly Description:				Originator:	Enrique Hernandez				
Assembly Numbers:		206-0181-A		Approved by:					
				Effective Date:	2/15/2005				
Effective				Document Update		Date	Initials		
<input checked="" type="checkbox"/>	All in Process	<input checked="" type="checkbox"/>	Next Buy	<input type="checkbox"/>	Artwork				
<input type="checkbox"/>	All in Service	<input checked="" type="checkbox"/>	Next Production Run	<input type="checkbox"/>	Assembly Dwg.				
<input checked="" type="checkbox"/>	All in Stock	<input type="checkbox"/>		<input type="checkbox"/>	Board Artwork				
Beginning Serial Number:				<input checked="" type="checkbox"/>	BOM		Noli		
Reason For Change				<input type="checkbox"/>	Control Form				
Pre-Amp revoiced to sound more like the 400RB-IV.				<input checked="" type="checkbox"/>	Costing		TC		
				<input type="checkbox"/>	Fab Drawing				
				<input type="checkbox"/>	Inspection Proc.				
				<input checked="" type="checkbox"/>	Part Master File		Noli		
				<input checked="" type="checkbox"/>	Schematic		Noli		
				<input type="checkbox"/>	Service Manual				
				<input type="checkbox"/>	Test Procedure				
				<input type="checkbox"/>					
				<input type="checkbox"/>					
				Other Affected Assemblies					
				209-0180-A, 303-0180-A, 303-1180-A, 303-2180-A					
<input type="checkbox"/>	Continued on ECO Supplement Page								
Description Of Change				Distribution		Date	Initials		
Revoicing of the pre-amp to sound more like the 400RB-IV. Replaced certain resistors mentioned below to change the structure of the output waveform.				<input type="checkbox"/>	Accounting				
				<input type="checkbox"/>	Assembly				
				<input type="checkbox"/>	Customer				
				<input checked="" type="checkbox"/>	Engineering				
				<input checked="" type="checkbox"/>	Incoming Q.C.				
				<input type="checkbox"/>	Planning				
				<input checked="" type="checkbox"/>	Production Eng.				
				<input checked="" type="checkbox"/>	Purchasing				
				<input type="checkbox"/>	Q.A.				
				<input type="checkbox"/>	Receiving				
				<input type="checkbox"/>	Service				
				<input type="checkbox"/>	Test				
				<input type="checkbox"/>	Vendor				
				<input type="checkbox"/>					
				<input type="checkbox"/>					
<input type="checkbox"/>	Continued on ECO Supplement Page			<input checked="" type="checkbox"/>	Drawing(s) attached				
Part Number	Description	Parts Added		Parts Deleted					
		Qty	Ref. Designator	Qty	Ref. Designator				
060-5622-0	1/8W, 5.62K			1	R48				
060-5622-0	1/8W, 5.62K			1	R51				

1 2 3 4 5 6



2234 INDUSTRIAL DRIVE  
STOCKTON, CALIFORNIA 95206  
VOICE: 209-234-7300  
FAX: 209-234-8420

**gallien technology**

NOT VALID UNLESS STAMP IS RED

TITLE: BACKLINE 115 PREAMP  
REV: A2  
DRAWING NO: 406-0181-A  
PART NO: 206-0181-A  
COMPANY: GALLIEN-KRUEGER  
FILENAME: 6181A.SCH

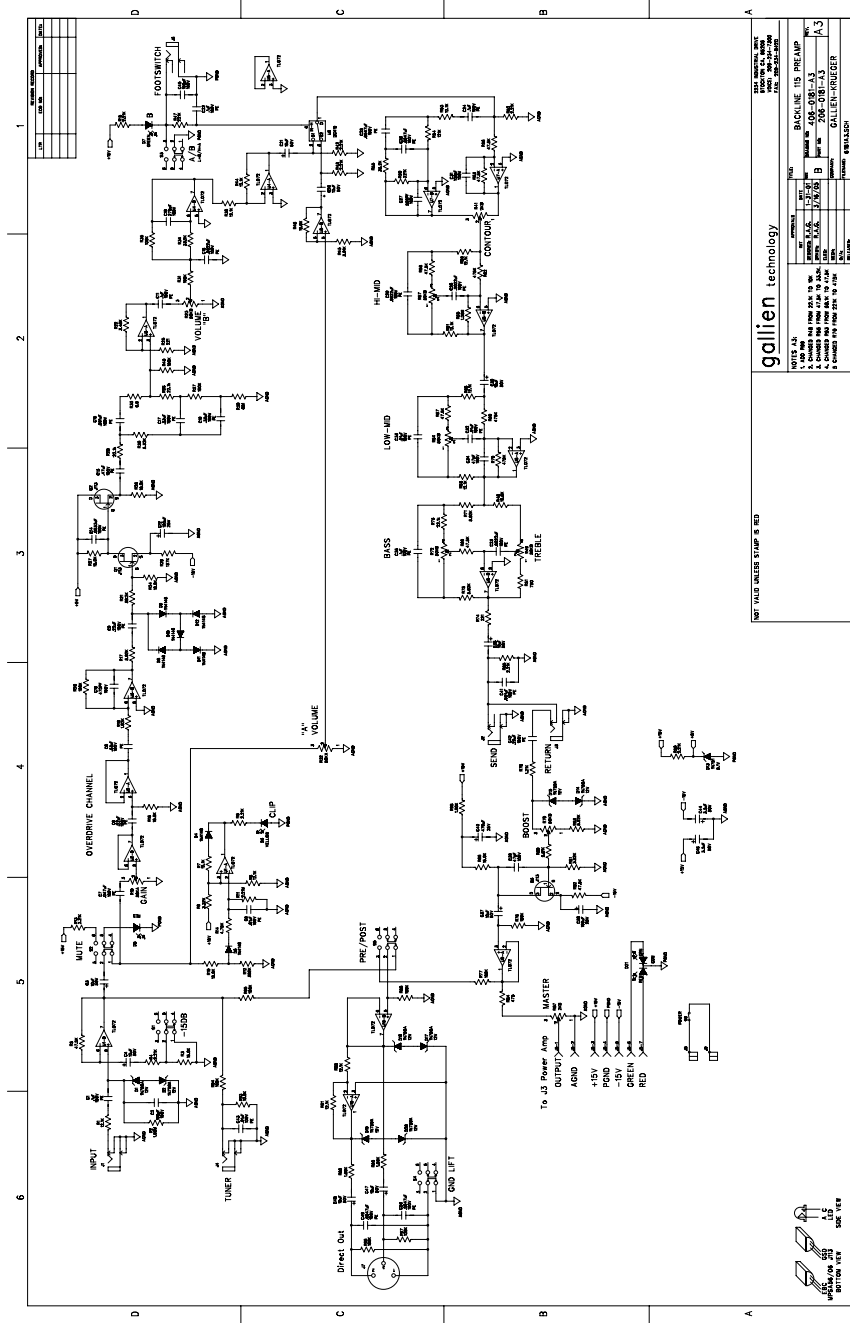
APPROVALS  
INIT DATE  
DESIGNED: R.A.G. 1-31-01  
DRAWN: A.T.M. 4-01-04  
ELEC: MECH: G/A:  
RELEASED:

1. Changed resistor R48 from 5.62K to 22K.  
2. Changed resistor R51 from 5.62K to 20K.  
3. Changed resistor R52 from 47.5K to 68K.  
4. Changed resistor R53 from 47.5K to 68K.  
5. Changed resistor R54 from 47.5K to 22K.  
6. Changed resistor R55 from 47.5K to 22K.

To J3 Power Amp MASTER  
OUTPUT J3-1  
AGND J3-2  
+15V J3-3  
PGND J3-4  
-15V J3-5  
GREEN J3-6  
RED J3-7

POWER J8  
GND J9  
LED J10  
AC J11  
SIDE VIEW  
BOTTOM VIEW

Customer Name:		Gallien-Krueger		Current Rev #:	A2	New ECO Rev #:	A3		
Model:		Backline 250, 600, 115 Combo, and 210 Combo		Distribute To:		Page:	1	Of:	2
Assembly Description:				Originator:	Enrique Hernandez				
Assembly Numbers:		206-0181-A		Approved by:					
				Effective Date:	3/11/2005				
Effective				Document Update		Date	Initials		
<input checked="" type="checkbox"/>	All in Process	<input checked="" type="checkbox"/>	Next Buy	<input type="checkbox"/>	Artwork				
<input type="checkbox"/>	All in Service	<input checked="" type="checkbox"/>	Next Production Run	<input type="checkbox"/>	Assembly Dwg.				
<input checked="" type="checkbox"/>	All in Stock	<input type="checkbox"/>		<input type="checkbox"/>	Board Artwork				
Beginning Serial Number:				<input checked="" type="checkbox"/>	BOM		Noli		
Reason For Change				<input type="checkbox"/>	Control Form				
Pre-Amp revoiced to sound more like the 400RB-IV.				<input checked="" type="checkbox"/>	Costing		TC		
				<input type="checkbox"/>	Fab Drawing				
				<input type="checkbox"/>	Inspection Proc.				
				<input checked="" type="checkbox"/>	Part Master File		Noli		
				<input checked="" type="checkbox"/>	Schematic		RAG		
				<input type="checkbox"/>	Service Manual				
				<input checked="" type="checkbox"/>	Test Procedure		ATM		
				<input type="checkbox"/>					
				<input type="checkbox"/>					
				Other Affected Assemblies					
				209-0180-A, 303-0180-A, 303-1180-A, 303-2180-A					
<input type="checkbox"/>	Continued on ECO Supplement Page								
Description Of Change				Distribution		Date	Initials		
Revoicing of the pre-amp to sound more like the 400RB-IV. Replaced certain resistors mentioned below to change the structure of the output waveform.				<input type="checkbox"/>	Accounting				
				<input type="checkbox"/>	Assembly				
				<input type="checkbox"/>	Customer				
				<input checked="" type="checkbox"/>	Engineering				
				<input checked="" type="checkbox"/>	Incoming Q.C.				
Add a 47.5K resistor as well to bass and treble circuit that is missing, and should be there, it is designated R99 on the schematic 206-0181-A3.				<input type="checkbox"/>	Planning				
				<input checked="" type="checkbox"/>	Production Eng.				
				<input checked="" type="checkbox"/>	Purchasing				
				<input type="checkbox"/>	Q.A.				
				<input type="checkbox"/>	Receiving				
				<input type="checkbox"/>	Service				
				<input type="checkbox"/>	Test				
				<input type="checkbox"/>	Vendor				
				<input type="checkbox"/>					
				<input type="checkbox"/>					
<input type="checkbox"/>	Continued on ECO Supplement Page			<input checked="" type="checkbox"/>	Drawing(s) attached				
Part Number	Description	Parts Added		Parts Deleted					
		Qty	Ref. Designator	Qty	Ref. Designator				
060-2213-0	1/8W, 22.1K			1	R48				
060-1752-0	1/8W, 47.5K			1	R55				

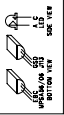


REV T140 WALKER STAMP 8 RD

galien technology

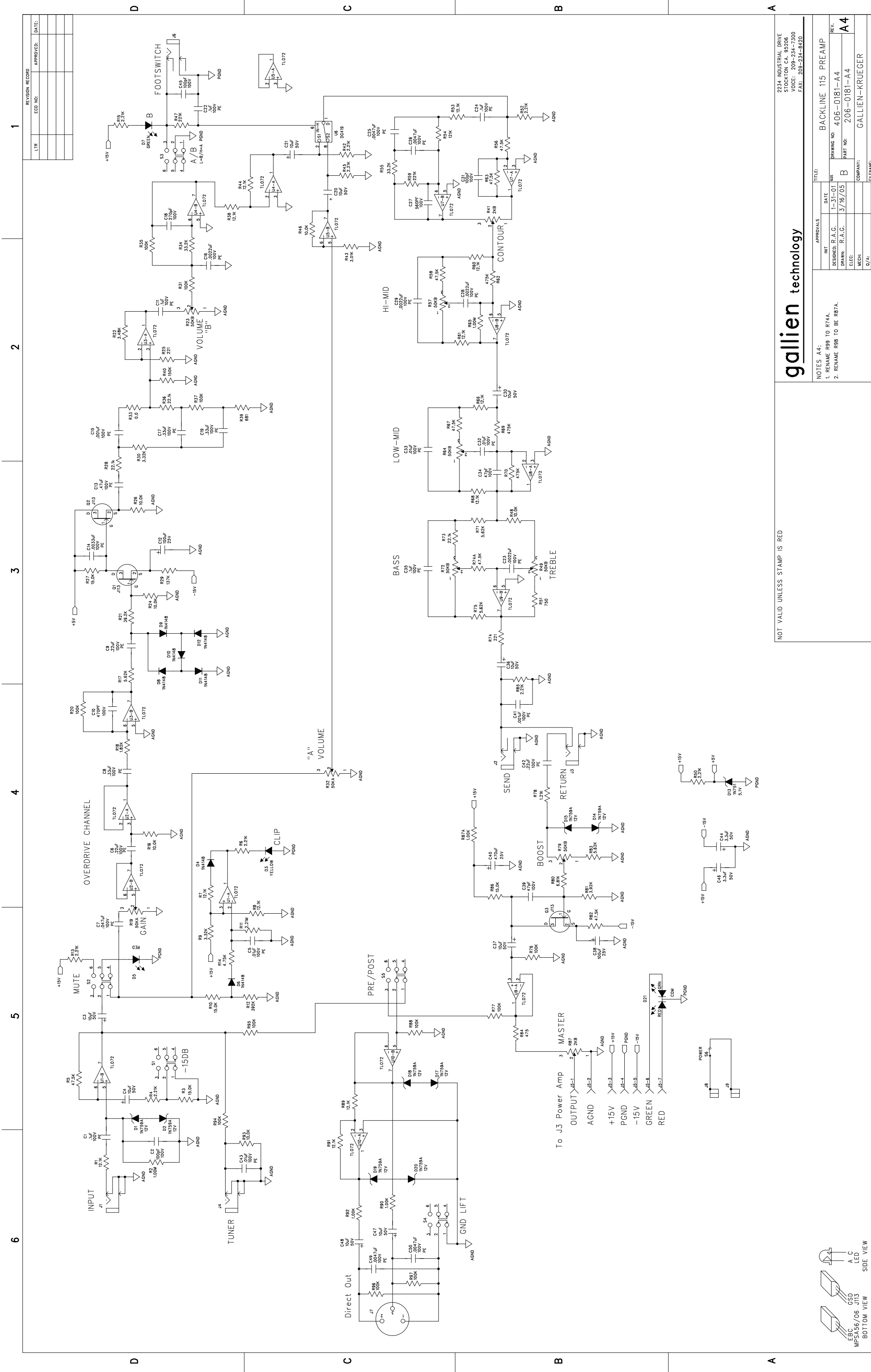
REV	DESCRIPTION	DATE
1	BACKLOG US TRUMP	12/20/05
2	REVISED TO ADD	12/20/05
3	REVISED TO ADD	12/20/05
4	REVISED TO ADD	12/20/05
5	REVISED TO ADD	12/20/05
6	REVISED TO ADD	12/20/05

NOTES: A. GALIEN TECHNOLOGY  
 B. GALIEN TECHNOLOGY  
 C. GALIEN TECHNOLOGY  
 D. GALIEN TECHNOLOGY



galien technology  
 1000 WALKER ST  
 SUITE 100  
 WALKER, MD 21154

Customer Name:		Gallien-Krueger		Current Rev #:		A3		New ECO Rev #:		A4	
Model:		Backline 250, 600, 115 Combo,		Distribute To:				Page:		1 Of: 2	
Assembly Description:		and 210 Combo		Originator:		Enrique Hernandez					
Assembly Numbers:		206-0181-A		Approved by:				Effective Date:		3/17/2005	
Effective				Document Update				Date		Initials	
<input type="checkbox"/>	All in Process	<input checked="" type="checkbox"/>	Next Buy	<input checked="" type="checkbox"/>	Artwork						RAG
<input type="checkbox"/>	All in Service	<input type="checkbox"/>	Next Production Run	<input type="checkbox"/>	Assembly Dwg.						
<input type="checkbox"/>	All in Stock	<input type="checkbox"/>		<input type="checkbox"/>	Board Artwork						
Beginning Serial Number:				<input checked="" type="checkbox"/>	BOM						Noli
Reason For Change				<input type="checkbox"/>	Control Form						
Renaming of two resistors on the pre-amp board to match layout counting scheme of the board.				<input checked="" type="checkbox"/>	Costing						TC
				<input type="checkbox"/>	Fab Drawing						
				<input type="checkbox"/>	Inspection Proc.						
				<input checked="" type="checkbox"/>	Part Master File						Noli
				<input checked="" type="checkbox"/>	Schematic						RAG
				<input type="checkbox"/>	Service Manual						
				<input type="checkbox"/>	Test Procedure						
				<input type="checkbox"/>							
				<input type="checkbox"/>							
				Other Affected Assemblies							
				209-0180-A, 303-0180-A,							
				303-1180-A, 303-2180-A							
<input type="checkbox"/>	Continued on ECO Supplement Page										
Description Of Change				Distribution				Date		Initials	
Update BOM.				<input type="checkbox"/>	Accounting						
				<input type="checkbox"/>	Assembly						
Update Part Master File.				<input type="checkbox"/>	Customer						
				<input checked="" type="checkbox"/>	Engineering						
Updated Artwork 145-0181-A4.				<input checked="" type="checkbox"/>	Incoming Q.C.						
				<input type="checkbox"/>	Planning						
Resistor R98 changed to R87A, and resistor R99 changed to R74A.				<input checked="" type="checkbox"/>	Production Eng.						
				<input checked="" type="checkbox"/>	Purchasing						
				<input type="checkbox"/>	Q.A.						
				<input type="checkbox"/>	Receiving						
				<input type="checkbox"/>	Service						
				<input type="checkbox"/>	Test						
				<input type="checkbox"/>	Vendor						
				<input type="checkbox"/>							
				<input type="checkbox"/>							
				<input checked="" type="checkbox"/>	Drawing(s) attached						
Part Number		Description		Parts Added				Parts Deleted			
				Qty	Ref. Designator			Qty	Ref. Designator		



REV	DESCRIPTION	DATE
1	INITIAL DESIGN	
2		
3		
4		
5		
6		

**gallien technology**

2234 INDUSTRIAL DRIVE  
STOCKTON CA, 95208  
PHONE: 209-231-4200  
FAX: 209-231-4200

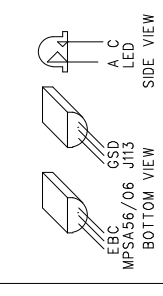
NOTES: A4:  
1. RENAME R98 TO R74A.  
2. RENAME R98 TO BE R97A.

APPROVALS:

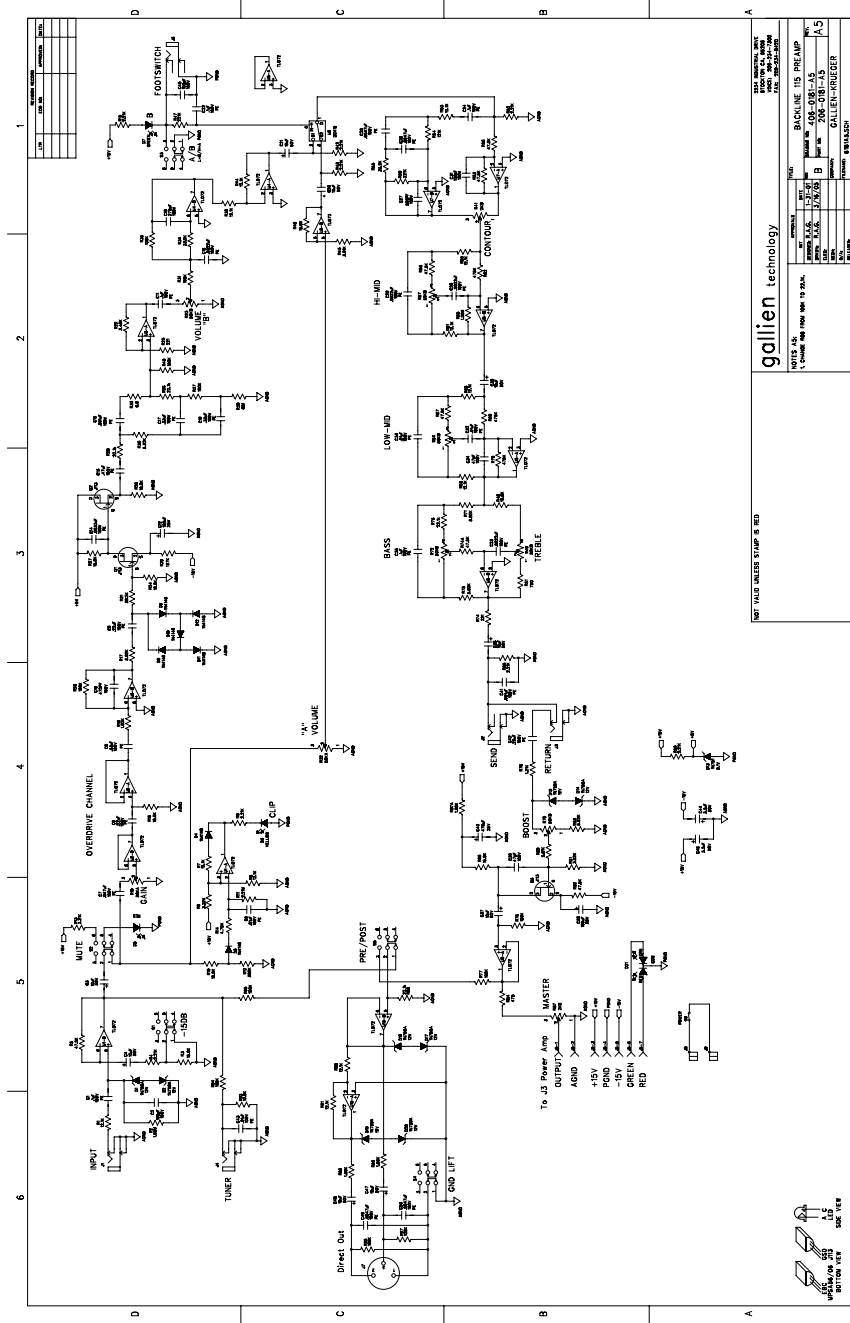
REV	DATE	BY	CHKD
1	1/1/01		
2	3/18/03		

TITLE: BACKLINE 115 PREAMP  
DRAWING NO: 406-0181-A4  
PART NO: 206-0181-A4  
COMPANY: GALLIEN-KRUEGER  
RELEASED: 2/2/03  
FILENAME: 6181A4.SCH

NOT VALID UNLESS STAMP IS RED



Customer Name:		Gallien-Krueger		Current Rev #:		A4		New ECO Rev #:		A5	
Model:		Backline 250, 600, 115 Combo, and 210 Combo		Distribute To:				Page:		1 Of: 2	
Assembly Description:		preamp board		Originator:		Enrique Hernandez					
Assembly Numbers:		206-0181-A		Approved by:							
				Effective Date:		12/15/2005					
Effective				Document Update				Date		Initials	
<input checked="" type="checkbox"/>	All in Process	<input checked="" type="checkbox"/>	Next Buy	<input type="checkbox"/>	Artwork						
<input checked="" type="checkbox"/>	All in Service	<input checked="" type="checkbox"/>	Next Production Run	<input type="checkbox"/>	Assembly Dwg.						
<input type="checkbox"/>	All in Stock	<input type="checkbox"/>		<input type="checkbox"/>	Board Artwork						
Beginning Serial Number:				<input checked="" type="checkbox"/>	BOM						Noli
Reason For Change				<input type="checkbox"/>	Control Form						
DI output too hot, need to decrease DI level to match the level of the 700RB-II/1001RB-II pre-amp when level knob is set to max.				<input checked="" type="checkbox"/>	Costing						TC
				<input type="checkbox"/>	Fab Drawing						
				<input type="checkbox"/>	Inspection Proc.						
				<input checked="" type="checkbox"/>	Part Master File						Noli
				<input checked="" type="checkbox"/>	Schematic						Enrique
				<input type="checkbox"/>	Service Manual						
				<input type="checkbox"/>	Test Procedure						
				<input type="checkbox"/>							
				<input type="checkbox"/>							
				Other Affected Assemblies							
				209-0180-A, 303-0180-A, 303-1180-A, 303-2180-A							
<input type="checkbox"/>	Continued on ECO Supplement Page										
Description Of Change				Distribution				Date		Initials	
Update BOM.				<input type="checkbox"/>	Accounting						
				<input type="checkbox"/>	Assembly						
Update Part Master File.				<input type="checkbox"/>	Customer						
				<input checked="" type="checkbox"/>	Engineering						
				<input checked="" type="checkbox"/>	Incoming Q.C.						
				<input type="checkbox"/>	Planning						
				<input checked="" type="checkbox"/>	Production Eng.						
				<input type="checkbox"/>	Purchasing						
				<input type="checkbox"/>	Q.A.						
				<input type="checkbox"/>	Receiving						
				<input type="checkbox"/>	Service						
				<input type="checkbox"/>	Test						
				<input type="checkbox"/>	Vendor						
				<input type="checkbox"/>							
				<input type="checkbox"/>							
<input type="checkbox"/>	Continued on ECO Supplement Page			Drawing(s) attached							
Part Number	Description	Parts Added		Parts Deleted							
		Qty	Ref. Designator	Qty	Ref. Designator						
206-1001-A	1001 1/01B Rev			1	1001						



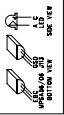
galien technology

NOTES:  
 1. Check the top side of PCB.

REV	DATE	BY	DESCRIPTION
1	2005-11-15	B	Initial Design
2	2006-01-15	B	Final Design

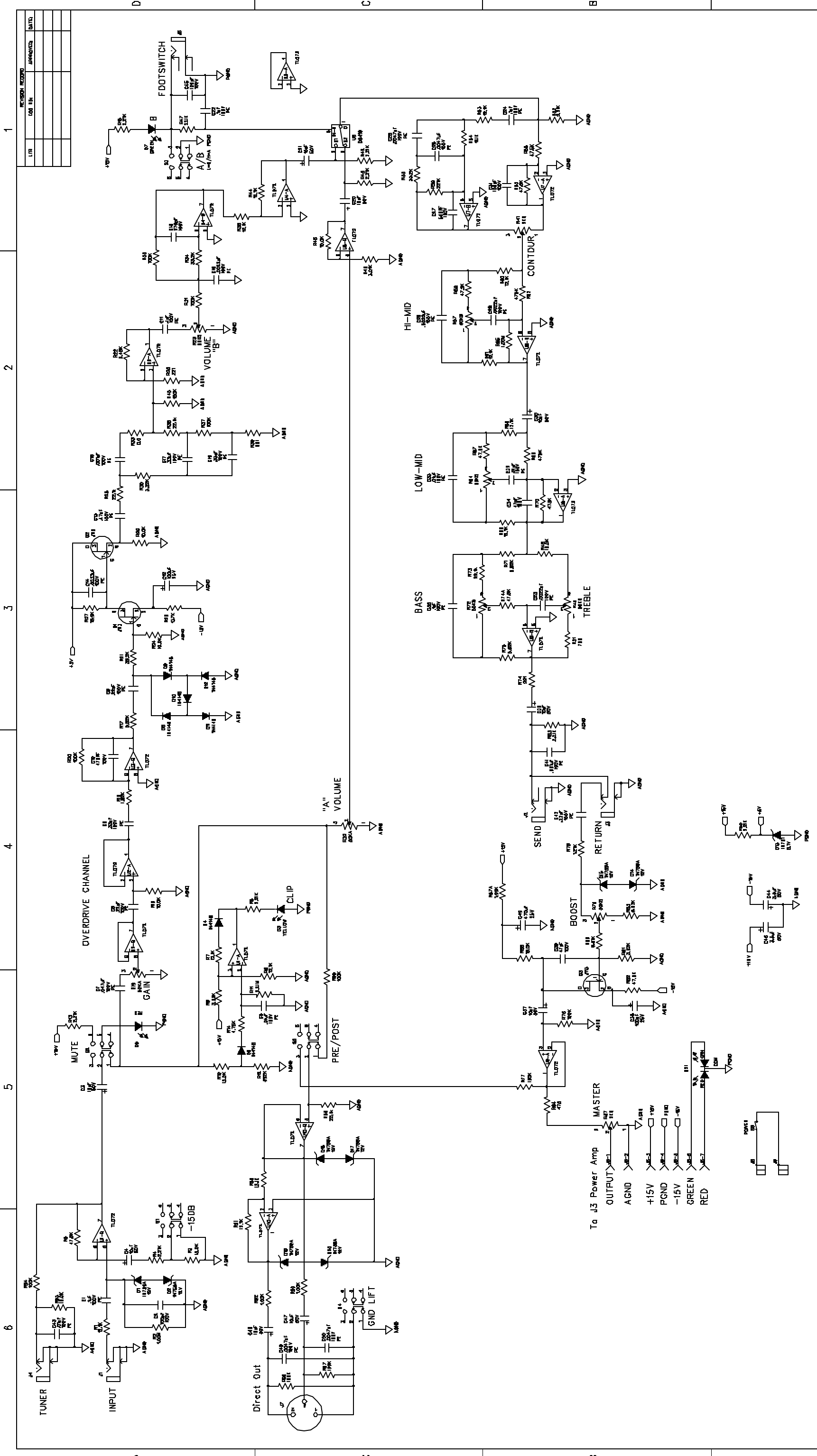
PROJECT: GALIEN-1000

REF THIS VALUE STAMP & RED









1  
2  
3  
4  
5  
6

gallien technology

NOT VALID UNLESS STAMP IS RED

2524 INDUSTRIAL DRIVE  
STOCKTON, CA 95208  
PHONE: 209-234-7300  
FAX: 209-234-8420

REVISED RECORD		DATE
LTR	DESIGN	
	ISSUED	
	DATE	

APPROVALS		TITLE
DESIGNED: P.A.G.	DATE: 1-31-01	BACKLINE 115 PREAMP
DRAWN: R.A.C.	DATE: 7/7/08	DRAWING NO: 406-0181-A6
CHECKED:		REV: A6
DATE:		COMPANY: GALLIEN-KRUEGER
BY:		RELEASED:
DATE:		PREPARED: 6181A6.SCH

NOTES A6:  
1. MOVE R80 TO TOP OF R32.

POWER: 15V, -15V, GND

CONNECTORS:  
EBC: BOTTOM VIEW  
MPS36/08 J13: SIDE VIEW  
A, C, LED: SIDE VIEW