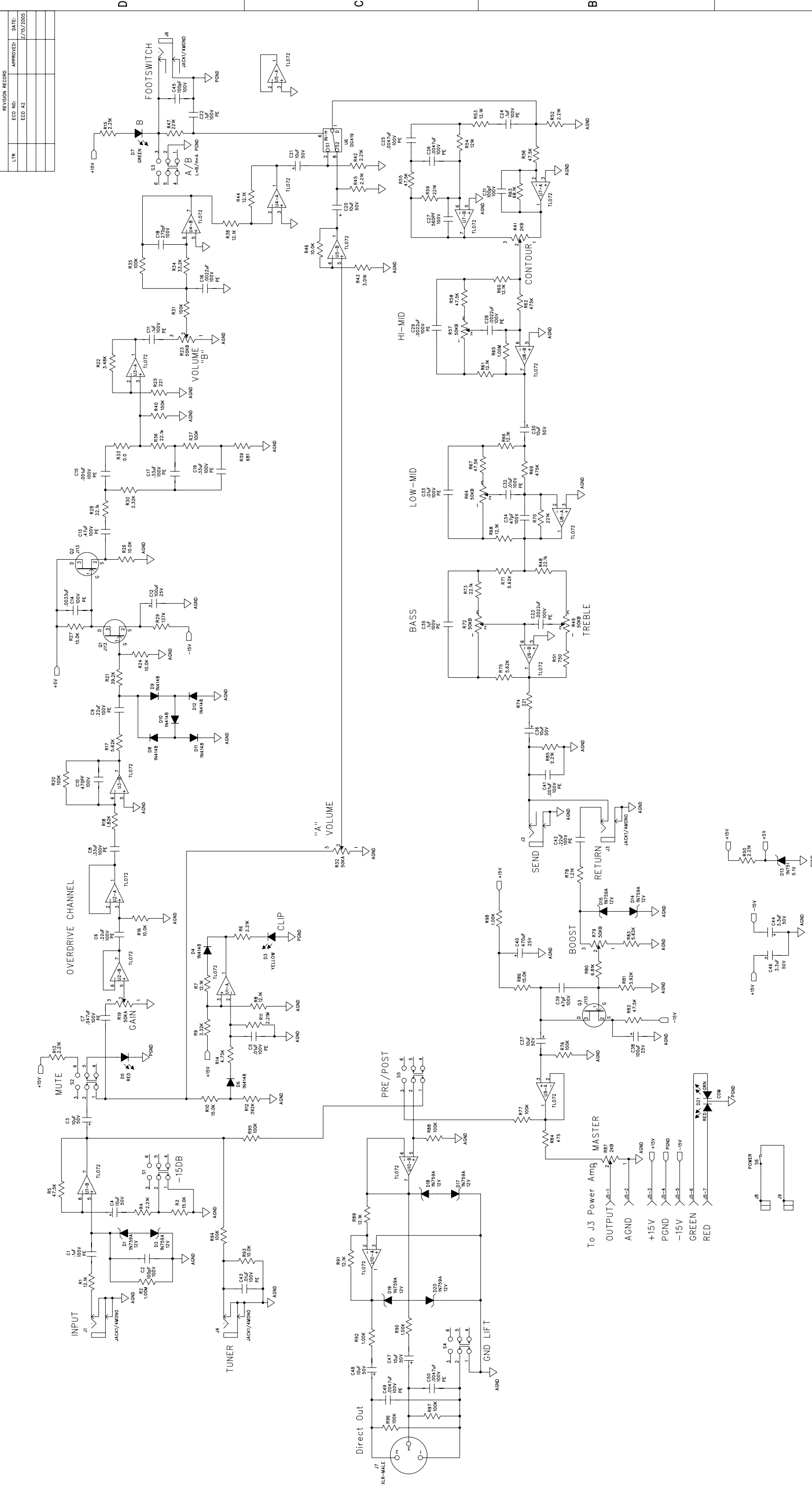


Customer Name:		Gallien-Krueger		Current Rev #:		A1		New ECO Rev #:		A2	
Model:		Backline 250, 600, 115 Combo,		Distribute To:				Page:		1 Of: 2	
Assembly Description:		and 210 Combo		Originator:		Enrique Hernandez					
Assembly Numbers:		206-0181-A		Approved by:							
				Effective Date:		2/15/2005					
Effective				Document Update				Date		Initials	
<input checked="" type="checkbox"/>	All in Process	<input checked="" type="checkbox"/>	Next Buy	<input type="checkbox"/>	Artwork						
<input type="checkbox"/>	All in Service	<input checked="" type="checkbox"/>	Next Production Run	<input type="checkbox"/>	Assembly Dwg.						
<input checked="" type="checkbox"/>	All in Stock	<input type="checkbox"/>		<input type="checkbox"/>	Board Artwork						
Beginning Serial Number:				<input checked="" type="checkbox"/>	BOM						Noli
Reason For Change				<input type="checkbox"/>	Control Form						
Pre-Amp revoiced to sound more like the 400RB-IV.				<input checked="" type="checkbox"/>	Costing						TC
				<input type="checkbox"/>	Fab Drawing						
				<input type="checkbox"/>	Inspection Proc.						
				<input checked="" type="checkbox"/>	Part Master File						Noli
				<input checked="" type="checkbox"/>	Schematic						Noli
				<input type="checkbox"/>	Service Manual						
				<input type="checkbox"/>	Test Procedure						
				<input type="checkbox"/>							
				<input type="checkbox"/>							
				Other Affected Assemblies							
				209-0180-A, 303-0180-A,							
				303-1180-A, 303-2180-A							
<input type="checkbox"/>	Continued on ECO Supplement Page										
Description Of Change				Distribution				Date		Initials	
Revoicing of the pre-amp to sound more like the 400RB-IV. Replaced certain resistors mentioned below to change the structure of the output waveform.				<input type="checkbox"/>	Accounting						
				<input type="checkbox"/>	Assembly						
				<input type="checkbox"/>	Customer						
				<input checked="" type="checkbox"/>	Engineering						
				<input checked="" type="checkbox"/>	Incoming Q.C.						
				<input type="checkbox"/>	Planning						
				<input checked="" type="checkbox"/>	Production Eng.						
				<input checked="" type="checkbox"/>	Purchasing						
				<input type="checkbox"/>	Q.A.						
				<input type="checkbox"/>	Receiving						
				<input type="checkbox"/>	Service						
				<input type="checkbox"/>	Test						
				<input type="checkbox"/>	Vendor						
				<input type="checkbox"/>							
				<input type="checkbox"/>							
<input type="checkbox"/>	Continued on ECO Supplement Page			<input checked="" type="checkbox"/>	Drawing(s) attached						
Part Number	Description	Parts Added		Parts Deleted							
		Qty	Ref. Designator	Qty	Ref. Designator						
060-5622-0	1/8W, 5.62K			1	R48						
060-5622-0	1/8W, 5.62K			1	R51						

1 2 3 4 5 6



gallien technology

NOT VALID UNLESS STAMP IS RED

2234 INDUSTRIAL DRIVE
STOCKTON, CALIFORNIA 95206
VOICE: 209-234-7300
FAX: 209-234-8420

REVISION RECORD	
LTR	DATE
ECO A2	2/15/2005

APPROVALS	
INIT	DATE
DESIGNED: R.A.G.	1-31-01
DRAWN: A.T.M.	4-01-04
ELEC:	
MECH:	
G/A:	

TITLE: BACKLINE 115 PREAMP
DRAWING NO: 406-0181-A
PART NO: 206-0181-A
REV: A2
COMPANY: GALLIEN-KRUEGER
FILENAME: 6181A.SCH

1. Changed resistor R48 from 5.62K to 22.1K.
 2. Changed resistor R51 from 5.62K to 20K.
 3. Changed resistor R52 from 47.5K to 22.1K.
 4. Changed resistor R53 from 47.5K to 68.1K.
 5. Changed resistor R54 from 47.5K to 22.1K.
 6. Changed resistor R55 from 47.5K to 22.1K.

EB6C
MPS456/06

Direct Out

XL5-MALE

J8 POWER

J9

J1 JACKS/AMONO

J2 SEND

J3 RETURN

JACKS/AMONO

J4 TUNER

J5-1 TO J5-7 To J3 Power Amp MASTER

OUTPUT

AGND

+15V

PGND

-15V

GREEN

RED

J5-1

J5-2

J5-3

J5-4

J5-5

J5-6

J5-7

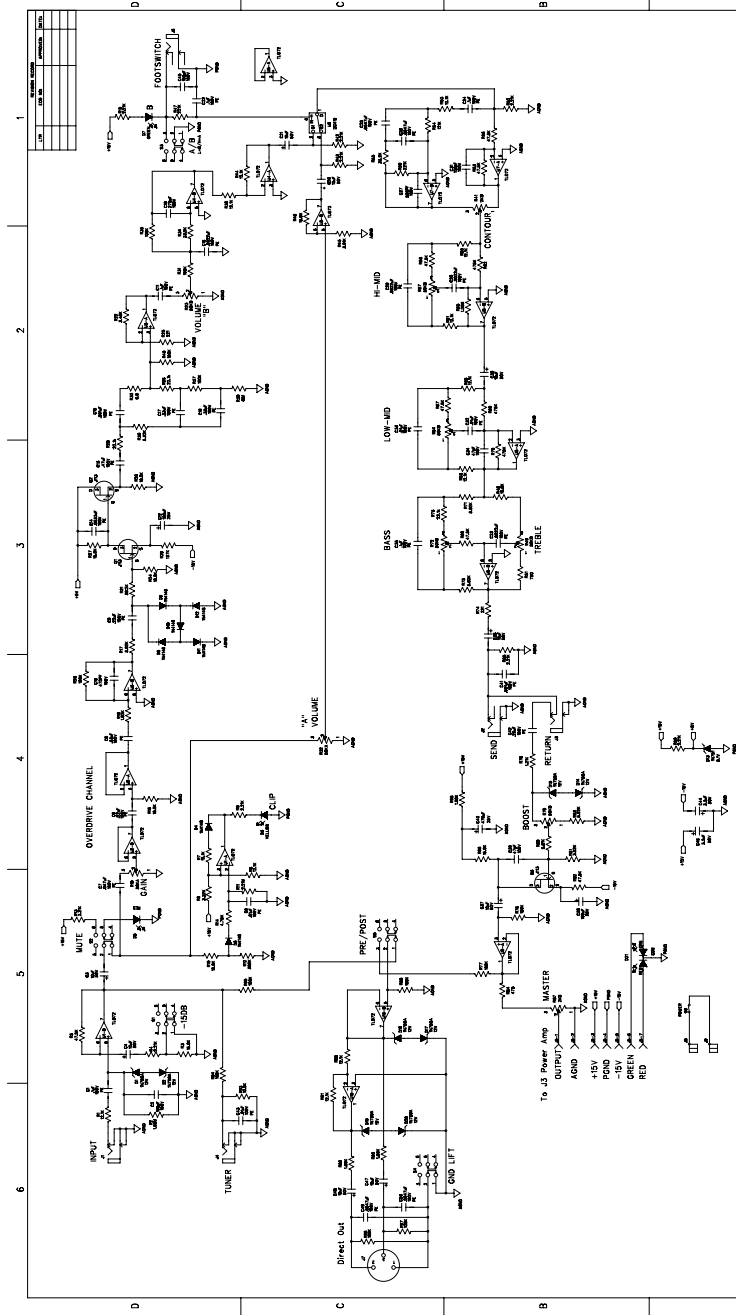
D21 LED

COM

AGND

BOTTOM VIEW
 SIDE VIEW
 A C
 LED

Customer Name:		Gallien-Krueger		Current Rev #:	A2	New ECO Rev #:	A3		
Model:		Backline 250, 600, 115 Combo, and 210 Combo		Distribute To:		Page:	1	Of:	2
Assembly Description:				Originator:	Enrique Hernandez				
Assembly Numbers:		206-0181-A		Approved by:					
				Effective Date:	3/11/2005				
Effective				Document Update		Date	Initials		
<input checked="" type="checkbox"/>	All in Process	<input checked="" type="checkbox"/>	Next Buy	<input type="checkbox"/>	Artwork				
<input type="checkbox"/>	All in Service	<input checked="" type="checkbox"/>	Next Production Run	<input type="checkbox"/>	Assembly Dwg.				
<input checked="" type="checkbox"/>	All in Stock	<input type="checkbox"/>		<input type="checkbox"/>	Board Artwork				
Beginning Serial Number:				<input checked="" type="checkbox"/>	BOM		Noli		
Reason For Change				<input type="checkbox"/>	Control Form				
Pre-Amp revoiced to sound more like the 400RB-IV.				<input checked="" type="checkbox"/>	Costing		TC		
				<input type="checkbox"/>	Fab Drawing				
				<input type="checkbox"/>	Inspection Proc.				
				<input checked="" type="checkbox"/>	Part Master File		Noli		
				<input checked="" type="checkbox"/>	Schematic		RAG		
				<input type="checkbox"/>	Service Manual				
				<input checked="" type="checkbox"/>	Test Procedure		ATM		
				<input type="checkbox"/>					
				<input type="checkbox"/>					
				Other Affected Assemblies					
				209-0180-A, 303-0180-A, 303-1180-A, 303-2180-A					
<input type="checkbox"/>	Continued on ECO Supplement Page								
Description Of Change				Distribution		Date	Initials		
Revoicing of the pre-amp to sound more like the 400RB-IV. Replaced certain resistors mentioned below to change the structure of the output waveform.				<input type="checkbox"/>	Accounting				
				<input type="checkbox"/>	Assembly				
				<input type="checkbox"/>	Customer				
				<input checked="" type="checkbox"/>	Engineering				
				<input checked="" type="checkbox"/>	Incoming Q.C.				
Add a 47.5K resistor as well to bass and treble circuit that is missing, and should be there, it is designated R99 on the schematic 206-0181-A3.				<input type="checkbox"/>	Planning				
				<input checked="" type="checkbox"/>	Production Eng.				
				<input checked="" type="checkbox"/>	Purchasing				
				<input type="checkbox"/>	Q.A.				
				<input type="checkbox"/>	Receiving				
				<input type="checkbox"/>	Service				
				<input type="checkbox"/>	Test				
				<input type="checkbox"/>	Vendor				
				<input type="checkbox"/>					
				<input type="checkbox"/>					
<input type="checkbox"/>	Continued on ECO Supplement Page			<input checked="" type="checkbox"/>	Drawing(s) attached				
Part Number	Description	Parts Added		Parts Deleted		Qty	Ref. Designator	Qty	Ref. Designator
		Qty	Ref. Designator	Qty	Ref. Designator				
060-2213-0	1/8W, 22.1K					1	R48		
060-1752-0	1/8W, 47.5K					1	R55		



NOT TOLD WATER STAMP & RED

gallien technology

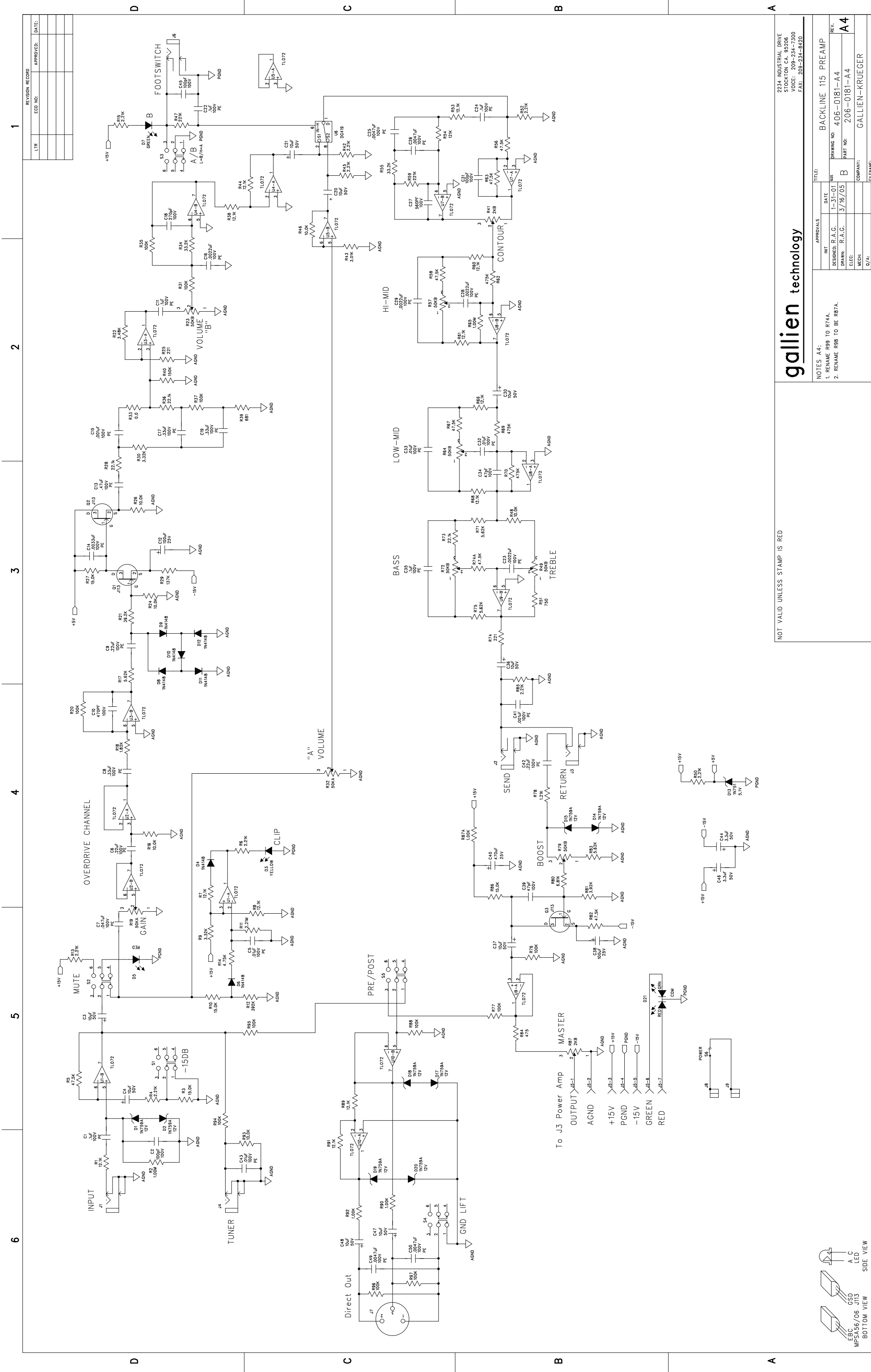
REV	REV 001	DATE	2005-08-13	DESIGNED BY	GALLIEN-INDUSTRIE
REV	REV 002	DATE	2005-08-13	DESIGNED BY	GALLIEN-INDUSTRIE
REV	REV 003	DATE	2005-08-13	DESIGNED BY	GALLIEN-INDUSTRIE
REV	REV 004	DATE	2005-08-13	DESIGNED BY	GALLIEN-INDUSTRIE
REV	REV 005	DATE	2005-08-13	DESIGNED BY	GALLIEN-INDUSTRIE

NOTES:

1. Check the component values in the schematic against the component values on the PCB.
2. Check the component values in the schematic against the component values on the PCB.
3. Check the component values in the schematic against the component values on the PCB.
4. Check the component values in the schematic against the component values on the PCB.
5. Check the component values in the schematic against the component values on the PCB.
6. Check the component values in the schematic against the component values on the PCB.

SEE FILE

Customer Name:		Gallien-Krueger		Current Rev #:		A3		New ECO Rev #:		A4	
Model:		Backline 250, 600, 115 Combo,		Distribute To:				Page:		1 Of: 2	
Assembly Description:		and 210 Combo		Originator:		Enrique Hernandez					
Assembly Numbers:		206-0181-A		Approved by:				Effective Date:		3/17/2005	
Effective				Document Update				Date		Initials	
<input type="checkbox"/>	All in Process	<input checked="" type="checkbox"/>	Next Buy	<input checked="" type="checkbox"/>	Artwork						RAG
<input type="checkbox"/>	All in Service	<input type="checkbox"/>	Next Production Run	<input type="checkbox"/>	Assembly Dwg.						
<input type="checkbox"/>	All in Stock	<input type="checkbox"/>		<input type="checkbox"/>	Board Artwork						
Beginning Serial Number:				<input checked="" type="checkbox"/>	BOM						Noli
Reason For Change				<input type="checkbox"/>	Control Form						
Renaming of two resistors on the pre-amp board to match layout counting scheme of the board.				<input checked="" type="checkbox"/>	Costing						TC
				<input type="checkbox"/>	Fab Drawing						
				<input type="checkbox"/>	Inspection Proc.						
				<input checked="" type="checkbox"/>	Part Master File						Noli
				<input checked="" type="checkbox"/>	Schematic						RAG
				<input type="checkbox"/>	Service Manual						
				<input type="checkbox"/>	Test Procedure						
				<input type="checkbox"/>							
				<input type="checkbox"/>							
				Other Affected Assemblies							
				209-0180-A, 303-0180-A,							
				303-1180-A, 303-2180-A							
<input type="checkbox"/>	Continued on ECO Supplement Page										
Description Of Change				Distribution				Date		Initials	
Update BOM.				<input type="checkbox"/>	Accounting						
Update Part Master File.				<input type="checkbox"/>	Assembly						
Updated Artwork 145-0181-A4.				<input checked="" type="checkbox"/>	Customer						
Resistor R98 changed to R87A, and resistor R99 changed to R74A.				<input checked="" type="checkbox"/>	Engineering						
				<input checked="" type="checkbox"/>	Incoming Q.C.						
				<input type="checkbox"/>	Planning						
				<input checked="" type="checkbox"/>	Production Eng.						
				<input checked="" type="checkbox"/>	Purchasing						
				<input type="checkbox"/>	Q.A.						
				<input type="checkbox"/>	Receiving						
				<input type="checkbox"/>	Service						
				<input type="checkbox"/>	Test						
				<input type="checkbox"/>	Vendor						
				<input type="checkbox"/>							
				<input type="checkbox"/>							
				<input checked="" type="checkbox"/>	Drawing(s) attached						
Part Number		Description		Parts Added				Parts Deleted			
				Qty	Ref. Designator			Qty	Ref. Designator		



REV	DESCRIPTION	DATE
1	ISSUE	
2	ISSUE	
3	ISSUE	
4	ISSUE	
5	ISSUE	
6	ISSUE	

2234 INDUSTRIAL DRIVE
STOCKTON CA 95208
TEL: 209-533-4400
FAX: 209-534-4200

gallien technology

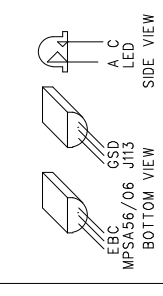
NOTES: A4:
1. RENAME R98 TO R74A.
2. RENAME R98 TO BE R74A.

APPROVALS:

REV	DATE	BY	CHKD
1	1/1/01		
2	3/18/03		

TITLE: BACKLINE 115 PREAMP
DRAWING NO: 406-0181-A4
PART NO: 206-0181-A4
COMPANY: GALLIEN-KRUEGER
RELEASED: 2/1/03
FILENAME: 6181A4.SCH

NOT VALID UNLESS STAMP IS RED



To J3 Power Amp

MASTER

OUTPUT

ACND

+15V

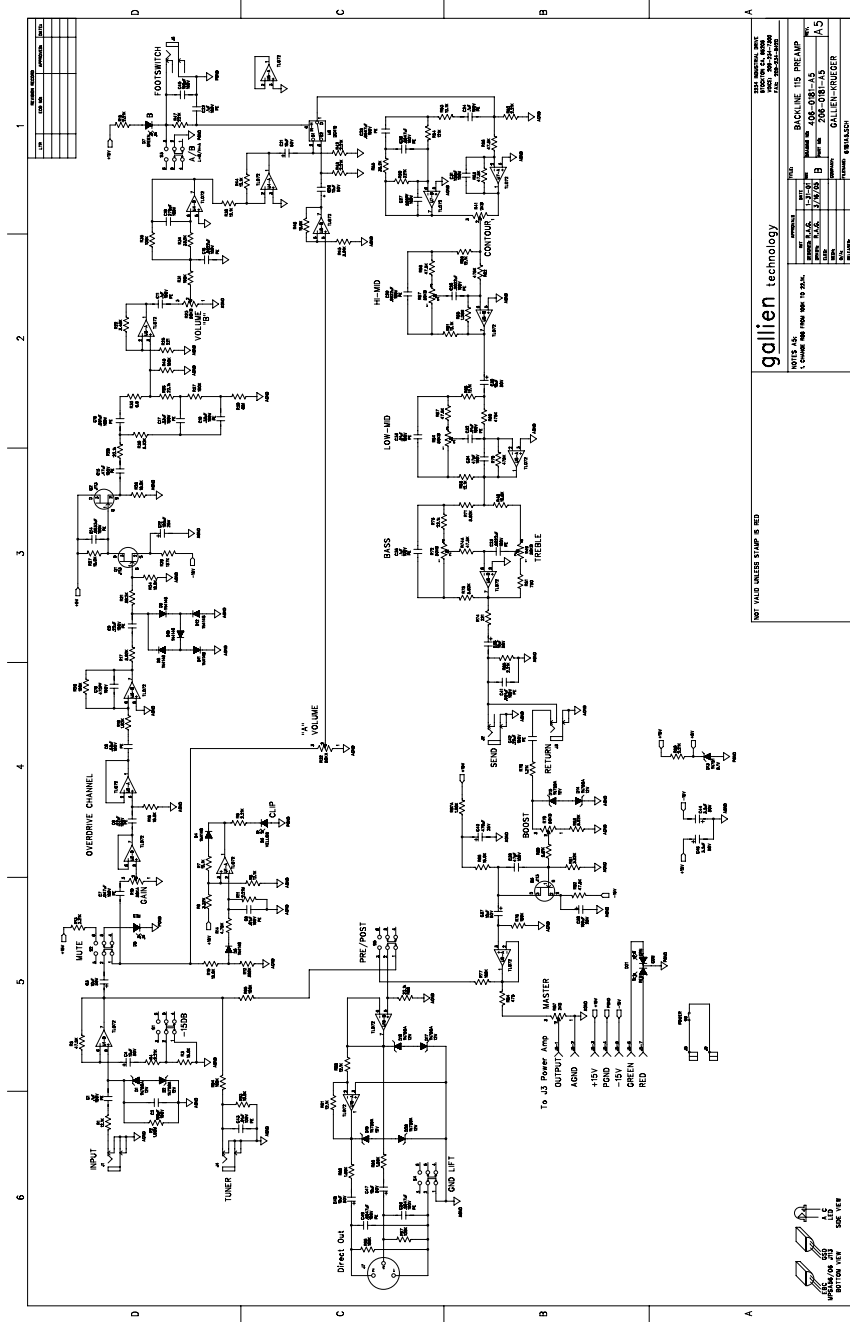
POND

-15V

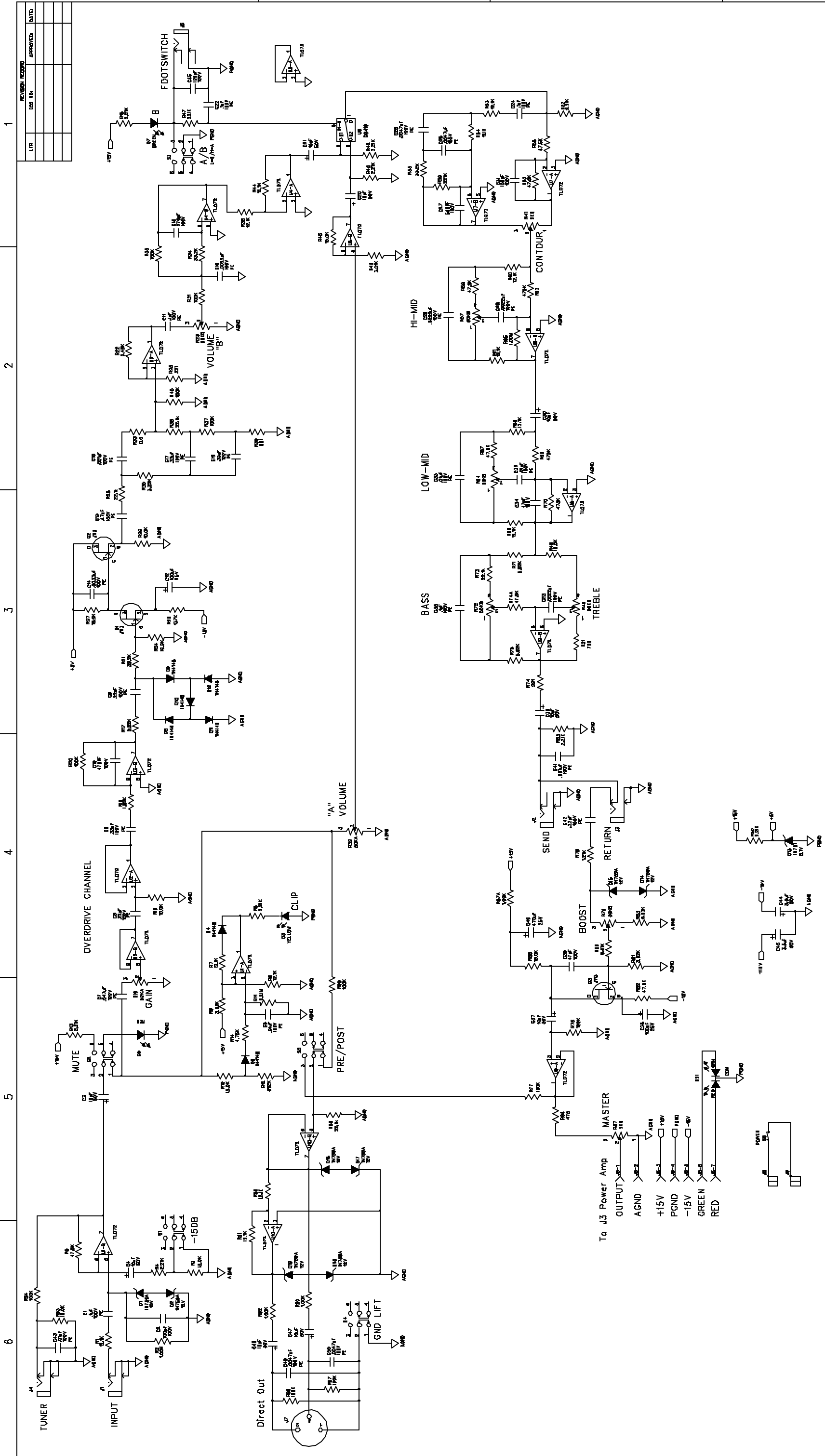
GREEN

RED

Customer Name:		Gallien-Krueger		Current Rev #:		A4		New ECO Rev #:		A5	
Model:		Backline 250, 600, 115 Combo, and 210 Combo		Distribute To:				Page:		1 Of: 2	
Assembly Description:		preamp board		Originator:		Enrique Hernandez					
Assembly Numbers:		206-0181-A		Approved by:							
				Effective Date:		12/15/2005					
Effective				Document Update				Date		Initials	
<input checked="" type="checkbox"/>	All in Process	<input checked="" type="checkbox"/>	Next Buy	<input type="checkbox"/>	Artwork						
<input checked="" type="checkbox"/>	All in Service	<input checked="" type="checkbox"/>	Next Production Run	<input type="checkbox"/>	Assembly Dwg.						
<input type="checkbox"/>	All in Stock	<input type="checkbox"/>		<input type="checkbox"/>	Board Artwork						
Beginning Serial Number:				<input checked="" type="checkbox"/>	BOM						Noli
Reason For Change				<input type="checkbox"/>	Control Form						
DI output too hot, need to decrease DI level to match the level of the 700RB-II/1001RB-II pre-amp when level knob is set to max.				<input checked="" type="checkbox"/>	Costing						TC
				<input type="checkbox"/>	Fab Drawing						
				<input type="checkbox"/>	Inspection Proc.						
				<input checked="" type="checkbox"/>	Part Master File						Noli
				<input checked="" type="checkbox"/>	Schematic						Enrique
				<input type="checkbox"/>	Service Manual						
				<input type="checkbox"/>	Test Procedure						
				<input type="checkbox"/>							
				<input type="checkbox"/>							
				Other Affected Assemblies							
				209-0180-A, 303-0180-A, 303-1180-A, 303-2180-A							
<input type="checkbox"/>	Continued on ECO Supplement Page										
Description Of Change				Distribution				Date		Initials	
Update BOM.				<input type="checkbox"/>	Accounting						
				<input type="checkbox"/>	Assembly						
Update Part Master File.				<input type="checkbox"/>	Customer						
				<input checked="" type="checkbox"/>	Engineering						
				<input checked="" type="checkbox"/>	Incoming Q.C.						
				<input type="checkbox"/>	Planning						
				<input checked="" type="checkbox"/>	Production Eng.						
				<input type="checkbox"/>	Purchasing						
				<input type="checkbox"/>	Q.A.						
				<input type="checkbox"/>	Receiving						
				<input type="checkbox"/>	Service						
				<input type="checkbox"/>	Test						
				<input type="checkbox"/>	Vendor						
				<input type="checkbox"/>							
				<input type="checkbox"/>							
<input type="checkbox"/>	Continued on ECO Supplement Page			Drawing(s) attached							
Part Number		Description		Parts Added				Parts Deleted			
				Qty	Ref. Designator			Qty	Ref. Designator		
206-0181-A		100% 1/0% 25%						1	206		



Customer Name:	Gallien-Krueger	Current Rev #:	A5	New ECO Rev #:	A6
Model:	Backline 250, 600, 115 Combo, and 210 Combo	Distribute To:		Page:	1 Of: 2
Assembly Description:	preamp board	Originator:	NOLI VALDEZ		
Assembly Numbers:	206-0181-A	Approved by:			
		Effective Date:	7/13/2006		
Effective		Document Update		Date	Initials
<input type="checkbox"/> All in Process	<input checked="" type="checkbox"/> Next Buy	<input type="checkbox"/> Artwork			
<input type="checkbox"/> All in Service	<input checked="" type="checkbox"/> Next Production Run	<input type="checkbox"/> Assembly Dwg.			
<input type="checkbox"/> All in Stock		<input type="checkbox"/> Board Artwork			
Beginning Serial Number:		<input type="checkbox"/> BOM			
Reason For Change		<input type="checkbox"/> Control Form			
1. To mute the pre-direct out signal, R95 is connected to pin 3 of R32.		<input checked="" type="checkbox"/> Costing			TC
		<input type="checkbox"/> Fab Drawing			
		<input type="checkbox"/> Inspection Proc.			
		<input checked="" type="checkbox"/> Part Master File			Noli
		<input checked="" type="checkbox"/> Schematic			RAG
		<input type="checkbox"/> Service Manual			
		<input type="checkbox"/> Test Procedure			
		<input type="checkbox"/>			
		<input type="checkbox"/>			
Other Affected Assemblies					
209-0180-A, 303-0180-A, 303-1180-A, 303-2180-A					
<input type="checkbox"/> Continued on ECO Supplement Page					
Description Of Change		Distribution		Date	Initials
Update schematic.		<input type="checkbox"/> Accounting			
Update PCB layout.		<input type="checkbox"/> Assembly			
Update BOM.		<input checked="" type="checkbox"/> Customer			
Update Part Master File.		<input checked="" type="checkbox"/> Engineering			
		<input checked="" type="checkbox"/> Incoming Q.C.			
		<input type="checkbox"/> Planning			
		<input checked="" type="checkbox"/> Production Eng.			
		<input type="checkbox"/> Purchasing			
		<input type="checkbox"/> Q.A.			
		<input type="checkbox"/> Receiving			
		<input type="checkbox"/> Service			
		<input type="checkbox"/> Test			
		<input type="checkbox"/> Vendor			
		<input checked="" type="checkbox"/> Customer Support			
		<input type="checkbox"/>			
<input type="checkbox"/> Continued on ECO Supplement Page	<input checked="" type="checkbox"/> Drawing(s) attached				
Part Number	Description	Parts Added		Parts Deleted	
		Qty	Ref. Designator	Qty	Ref. Designator



1
2
3
4
5
6

2524 INDUSTRIAL DRIVE STOCKTON, CA 95208 VOICE: 209-234-7300 FAX: 209-234-8420			
gallien technology			
NOT VALID UNLESS STAMP IS RED			
NOTES A6: 1. MOVE R80 TO TOP OF R92.			
REV. 1		DATE	
REV. 2		DATE	
REV. 3		DATE	
REV. 4		DATE	
REV. 5		DATE	
REV. 6		DATE	
REV. 7		DATE	
REV. 8		DATE	
REV. 9		DATE	
REV. 10		DATE	
REV. 11		DATE	
REV. 12		DATE	
REV. 13		DATE	
REV. 14		DATE	
REV. 15		DATE	
REV. 16		DATE	
REV. 17		DATE	
REV. 18		DATE	
REV. 19		DATE	
REV. 20		DATE	
REV. 21		DATE	
REV. 22		DATE	
REV. 23		DATE	
REV. 24		DATE	
REV. 25		DATE	
REV. 26		DATE	
REV. 27		DATE	
REV. 28		DATE	
REV. 29		DATE	
REV. 30		DATE	
REV. 31		DATE	
REV. 32		DATE	
REV. 33		DATE	
REV. 34		DATE	
REV. 35		DATE	
REV. 36		DATE	
REV. 37		DATE	
REV. 38		DATE	
REV. 39		DATE	
REV. 40		DATE	
REV. 41		DATE	
REV. 42		DATE	
REV. 43		DATE	
REV. 44		DATE	
REV. 45		DATE	
REV. 46		DATE	
REV. 47		DATE	
REV. 48		DATE	
REV. 49		DATE	
REV. 50		DATE	
REV. 51		DATE	
REV. 52		DATE	
REV. 53		DATE	
REV. 54		DATE	
REV. 55		DATE	
REV. 56		DATE	
REV. 57		DATE	
REV. 58		DATE	
REV. 59		DATE	
REV. 60		DATE	
REV. 61		DATE	
REV. 62		DATE	
REV. 63		DATE	
REV. 64		DATE	
REV. 65		DATE	
REV. 66		DATE	
REV. 67		DATE	
REV. 68		DATE	
REV. 69		DATE	
REV. 70		DATE	
REV. 71		DATE	
REV. 72		DATE	
REV. 73		DATE	
REV. 74		DATE	
REV. 75		DATE	
REV. 76		DATE	
REV. 77		DATE	
REV. 78		DATE	
REV. 79		DATE	
REV. 80		DATE	
REV. 81		DATE	
REV. 82		DATE	
REV. 83		DATE	
REV. 84		DATE	
REV. 85		DATE	
REV. 86		DATE	
REV. 87		DATE	
REV. 88		DATE	
REV. 89		DATE	
REV. 90		DATE	
REV. 91		DATE	
REV. 92		DATE	
REV. 93		DATE	
REV. 94		DATE	
REV. 95		DATE	
REV. 96		DATE	
REV. 97		DATE	
REV. 98		DATE	
REV. 99		DATE	
REV. 100		DATE	

2524 INDUSTRIAL DRIVE
STOCKTON, CA 95208
VOICE: 209-234-7300
FAX: 209-234-8420

gallien technology

NOT VALID UNLESS STAMP IS RED

NOTES A6:
1. MOVE R80 TO TOP OF R92.

REV. 1
REV. 2
REV. 3
REV. 4
REV. 5
REV. 6
REV. 7
REV. 8
REV. 9
REV. 10
REV. 11
REV. 12
REV. 13
REV. 14
REV. 15
REV. 16
REV. 17
REV. 18
REV. 19
REV. 20
REV. 21
REV. 22
REV. 23
REV. 24
REV. 25
REV. 26
REV. 27
REV. 28
REV. 29
REV. 30
REV. 31
REV. 32
REV. 33
REV. 34
REV. 35
REV. 36
REV. 37
REV. 38
REV. 39
REV. 40
REV. 41
REV. 42
REV. 43
REV. 44
REV. 45
REV. 46
REV. 47
REV. 48
REV. 49
REV. 50
REV. 51
REV. 52
REV. 53
REV. 54
REV. 55
REV. 56
REV. 57
REV. 58
REV. 59
REV. 60
REV. 61
REV. 62
REV. 63
REV. 64
REV. 65
REV. 66
REV. 67
REV. 68
REV. 69
REV. 70
REV. 71
REV. 72
REV. 73
REV. 74
REV. 75
REV. 76
REV. 77
REV. 78
REV. 79
REV. 80
REV. 81
REV. 82
REV. 83
REV. 84
REV. 85
REV. 86
REV. 87
REV. 88
REV. 89
REV. 90
REV. 91
REV. 92
REV. 93
REV. 94
REV. 95
REV. 96
REV. 97
REV. 98
REV. 99
REV. 100

TITLE: BACKLINE 115 PREAMP
DRAWING NO: 406-0181-A6
REV: A6
DESIGNED: P.A.G. 1-31-01
DRAWN: P.A.G. 7/7/98
CHECKED: [blank]
REVISED: [blank]

COMPANY: GALLIEN-KRUEGER
PREPARED: [blank]
RELEASED: [blank]

