

# Garrard®

## OFFICIAL COORDINATED DUST COVER\*

### MODEL D1 & D2

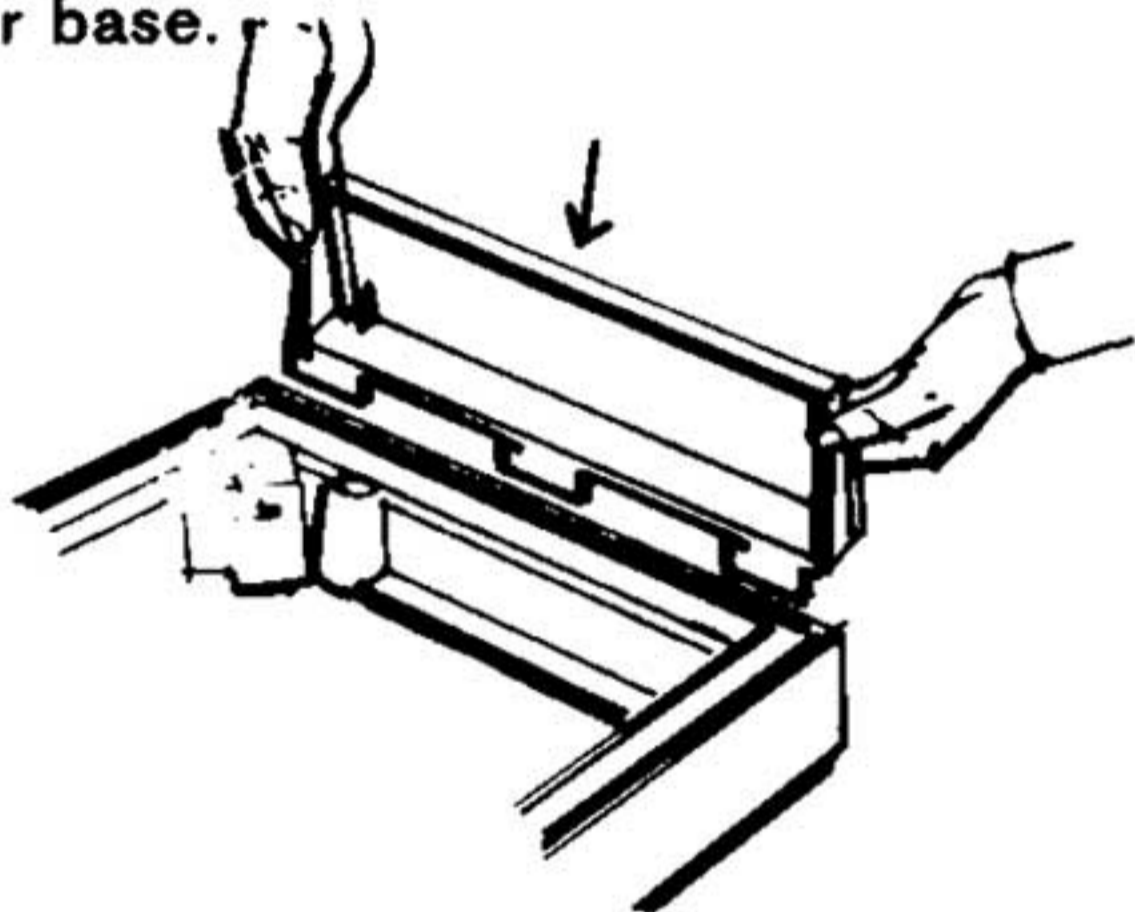
will fit Model B1, B1P, B2, B2P bases only

The all new, Garrard dust cover is unique. It offers you the greatest versatility and latitude and is the result of Garrard's engineering advances. Far superior to ordinary dust covers, it:

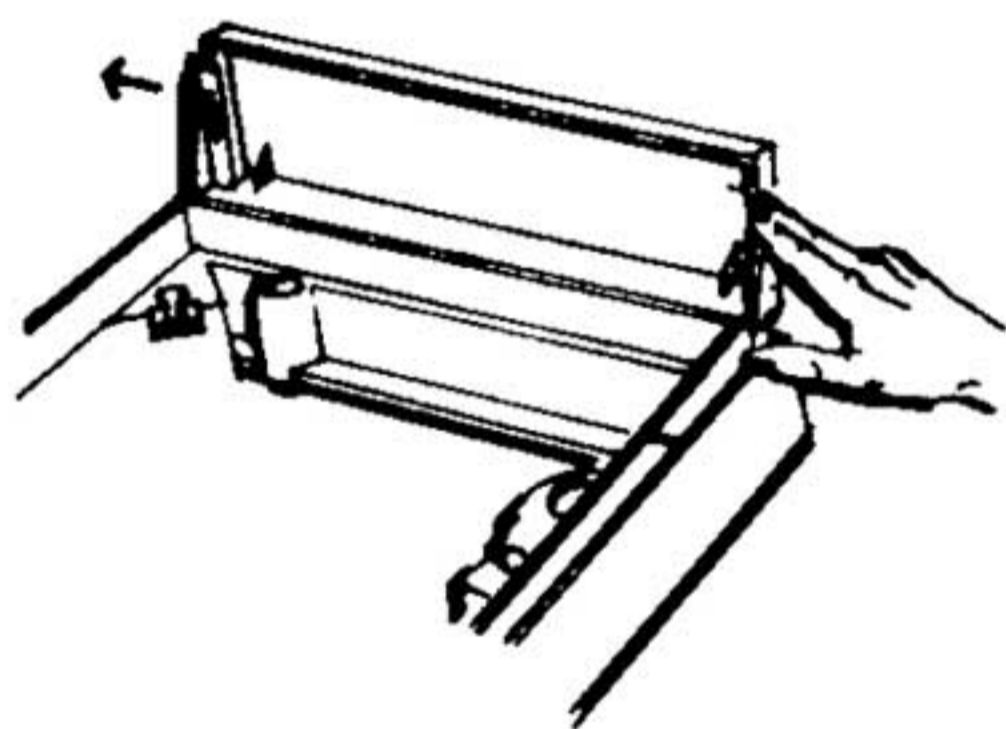
1. SLIDES TOWARD YOU IF SPACE IS LIMITED
2. LIFTS OFF UPWARDS IN THE CONVENTIONAL MANNER
3. TILTS UP AND OUT OF THE WAY FOR LOADING RECORDS UNLOADING, AND OPERATING CONTROLS.

It consists of 2 molded, clear styrene parts... a back plate and a cover assembly. To keep your dust cover sparkling new, occasionally wipe any dust accumulation from it with a soft damp cloth, a treated dust cloth, or by the use of a spray such as "Endust" applied to a cloth.

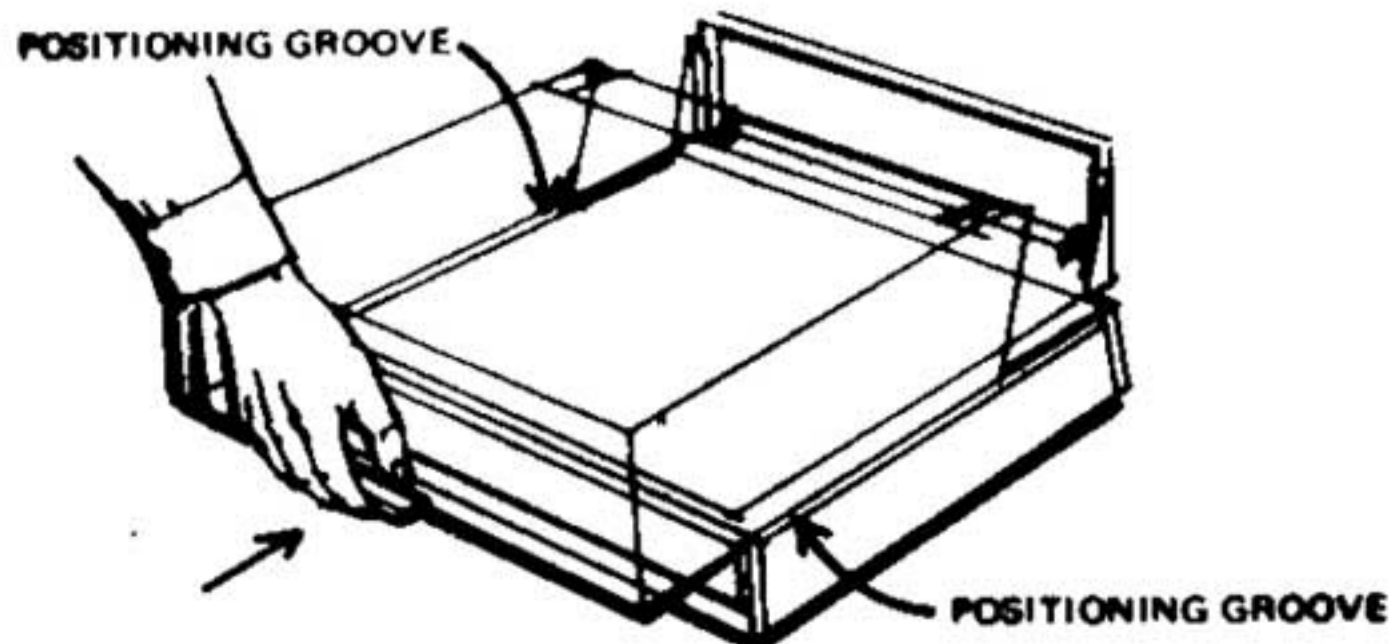
To assemble your dust cover, first take the back panel and line up the tabs with the slots at the rear of the record player base.



Press the panel down and slide to your left all the way, until resistance is met. The back panel is now rigidly locked into position. To remove, simply reverse the procedure.



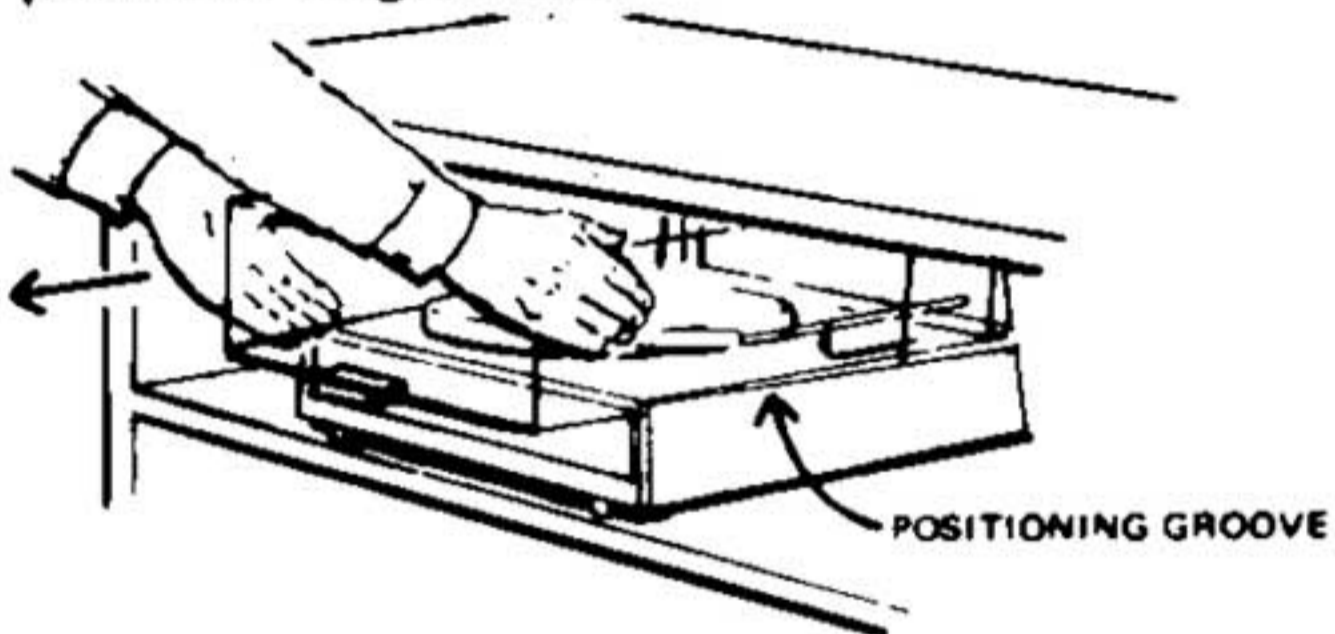
Next, take the cover assembly and slide or place it on top of the base so that the 2 sides of the cover are aligned and sitting in the deep positioning grooves on each side of the Garrard base.



PAT. PENDING

### OPERATION

In limited spaces, where a shelf may exist over your record player, simply hold the cover by the sides and slide towards you to remove. To replace the cover, simply reverse the procedure. The cover travels in the positioning grooves on each side of the base for positive alignment.



Or, where space is no factor, simply lift the cover off.



To raise the cover for loading records, unloading or adjusting controls, simply lift up on the front tab while applying gentle pressure backwards until the unique, self-aligning locking hinge assembly

engages. The cover is now locked into an up position.

To lower the cover, grasp the front tab and press downward in the direction of the arrow until the locking hinge disengages. Be sure to lower cover gently into 2 positioning grooves on sides of base.



**NOTE: We suggest you practice once or twice the raising and lowering of the dust cover to familiarize yourself with its operation.**

