



# SERVICE manual

# MP-3000X

DUAL PRO DIGITAL MP3/AUDIO CD-PLAYER



## CONTENT'S:

Connections & Operations:.....	Page 2-6
Specifications:.....	Page 6
Parts Lists:.....	Page 7-30
PCBs:.....	Page 31-36
Schematics:.....	Page 36-46



Gemini Sound Products Corp.

120 Clover Place P.O. Box 6928

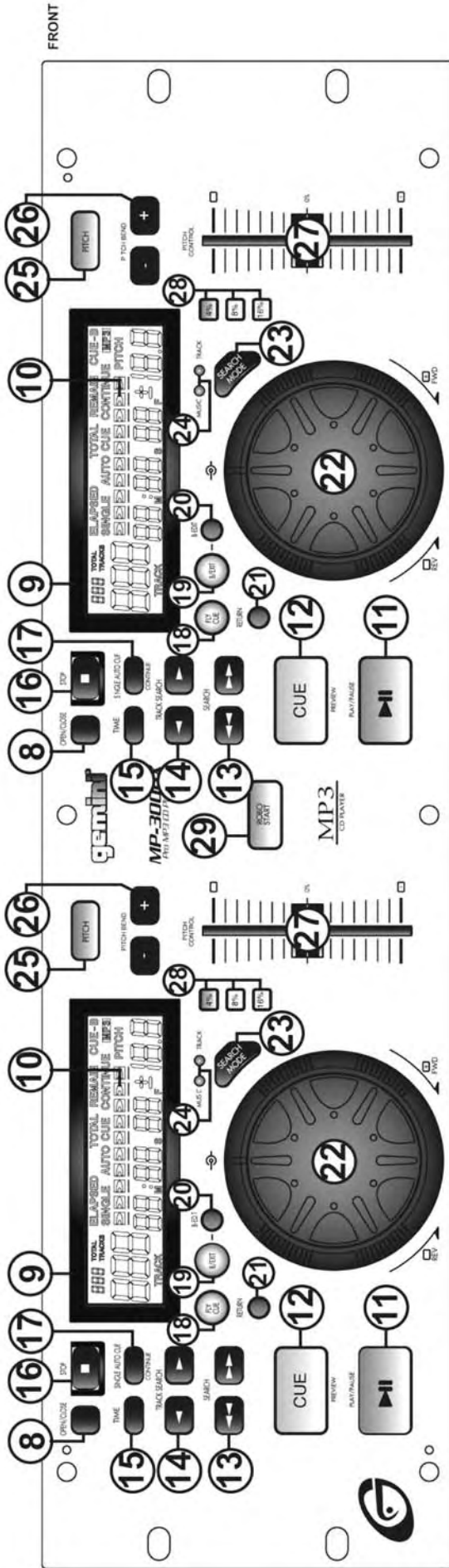
Edison, NJ 08818-6928

## QUICK START GUIDE:

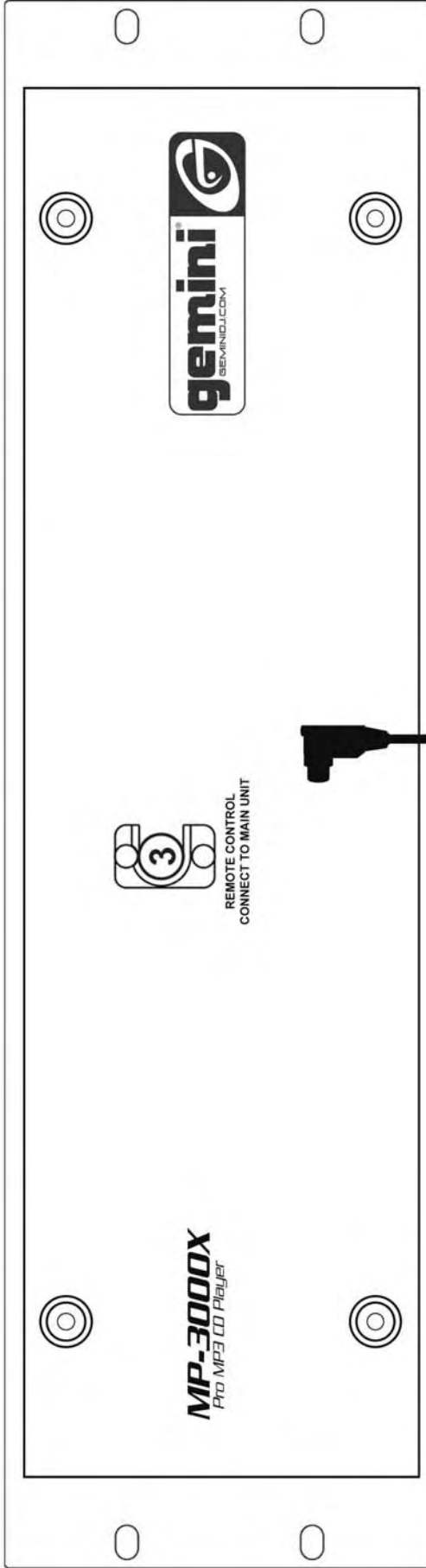
- ① **VOLTAGE SELECTOR:** To set the proper voltage, adjust the **VOLTAGE SELECTOR (1)** switch to **115** or **230** volts.
- ② **POWER JACK (AC IN):** Connect the power plug into the **POWER JACK (2)** for power.
- ③ **REMOTE CONTROL:** Use the included **CABLE & REMOTE CONTROL (3)** jacks to connect the **REMOTE CONTROL** to the **MAIN UNIT**.
- ④ **LINE OUTPUT JACKS:** **LINE OUTPUT JACKS (4)** provide stereo sound via **RCA** cables to your mixer or receiver.  
*NOTE: MAKE SURE CABLES ARE PLUGGED IN TIGHT FOR OPTIMAL SOUND.*
- ⑤ **BNC (DIGITAL OUTPUT):** Use the **BNC (5)** jack to connect to any type of device that accepts digital signals.
- ⑥ **POWER:** Press the **POWER (6)** button to turn on the CD player.  
*NOTE: MAKE SURE VOLTAGE SELECTOR SWITCH (1) IS SET BEFORE USE.*
- ⑦ **DISC TRAY:** Put a CD in the **DISC TRAY (7)** after pressing **OPEN/CLOSE (8)**; trays hold both **12 cm** and **8 cm** CDs.
- ⑧ **OPEN/CLOSE:** Tap **OPEN/CLOSE (8)** once to open the tray and again to close it.
- ⑨ **DISPLAY:** The **DISPLAY (9)** shows the various functions for the CD Player. See **FUNCTION DESCRIPTIONS** for details.
- ⑩ **PLAYBACK DISPLAY BAR:** The **PLAYBACK DISPLAY BAR (10)** shows the **TIME ELAPSED** and **TIME REMAINING**.
- ⑪ **PLAY/PAUSE:** Press **PLAY/PAUSE (11)** button to activate **PLAY** or **PAUSE** mode. See **CUE** or **ROBO START INSTRUCTIONS** for details.
- ⑫ **CUE/PREVIEW:** Tap **CUE/PREVIEW (12)** to come back to a set **CUE** or press and hold to **PREVIEW** from a **CUE**, refer to **CUE INSTRUCTIONS**.
- ⑬ **SEARCH:** Use the **SEARCH (13)** buttons to scan forward and reverse directions on a **TRACK**.
- ⑭ **TRACK SEARCH:** Press the **TRACK SEARCH (14)** buttons to select which **TRACK** to play.
- ⑮ **TIME:** Tap the **TIME (15)** button to switch the **TIME** preference in three modes: **ELAPSED, REMAIN, TOTAL REMAIN**.
- ⑯ **STOP:** Press **STOP (16)** once to stop the CD.
- ⑰ **SINGLE AUTO CUE/CONTINUE:** Tap **SINGLE AUTO CUE/CONTINUE (17)** for: **SINGLE AUTO CUE, CONTINUOUS,** and **NORMAL** modes.
- ⑱ **FLY CUE:** **FLY CUE (18)** sets a **CUE POINT** on the fly.
- ⑲ **B/EXIT:** Press **B/EXIT (19)** in **PLAY** mode, after a **CUE POINT** is memorized to start a **LOOP**, press again to exit **LOOP**.
- ⑳ **B-EDIT:** Press **B-EDIT (20)** and use the **JOG WHEEL (22)** to edit an existing **LOOP**, press again to exit **EDIT** mode.
- ㉑ **RETURN:** To play from a saved **CUE POINT** or a **LOOP**, press **RETURN (21)** to play the **LOOP** or the **CUE** again.
- ㉒ **JOG WHEEL:** The **JOG WHEEL (22)** has various functions: **PITCH BEND, CUEING,** and **TRACK SEARCHING**.
- ㉓ **SEARCH MODE:** Press to change the **SEARCH MODE (23)** of the **JOG WHEEL (22)** from **MUSIC** to **TRACK** mode.
- ㉔ **SEARCH MODE LED:** The **SEARCH MODE LED (24)** displays which **SEARCH MODE (23)** is in use.
- ㉕ **PITCH:** The **PITCH (25)** button activates the **PITCH CONTROL SLIDE (27)**
- ㉖ **PITCH BEND:** Buttons for **PITCH BEND (26)**, lower or raise the pitch percentage (**- or +**) **4%** when pressed.
- ㉗ **PITCH CONTROL SLIDE:** Moving the **PITCH CONTROL SLIDE (27)** up or down will lower or raise the pitch percentage (**- or +**) **4%, 8%, & 16%**.
- ㉘ **VPS (VARIABLE PITCH SELECTOR) 4%, 8% & 16%:** Use the **VPS (28)** buttons use to change the **PITCH** settings from **4%, 8%, & 16%**.
- ㉙ **ROBO START:** Using **ROBO START (29)** enables you to alternate play between two CDs using both sides.

# MP-3000X

(REMOTE CONTROL UNIT)

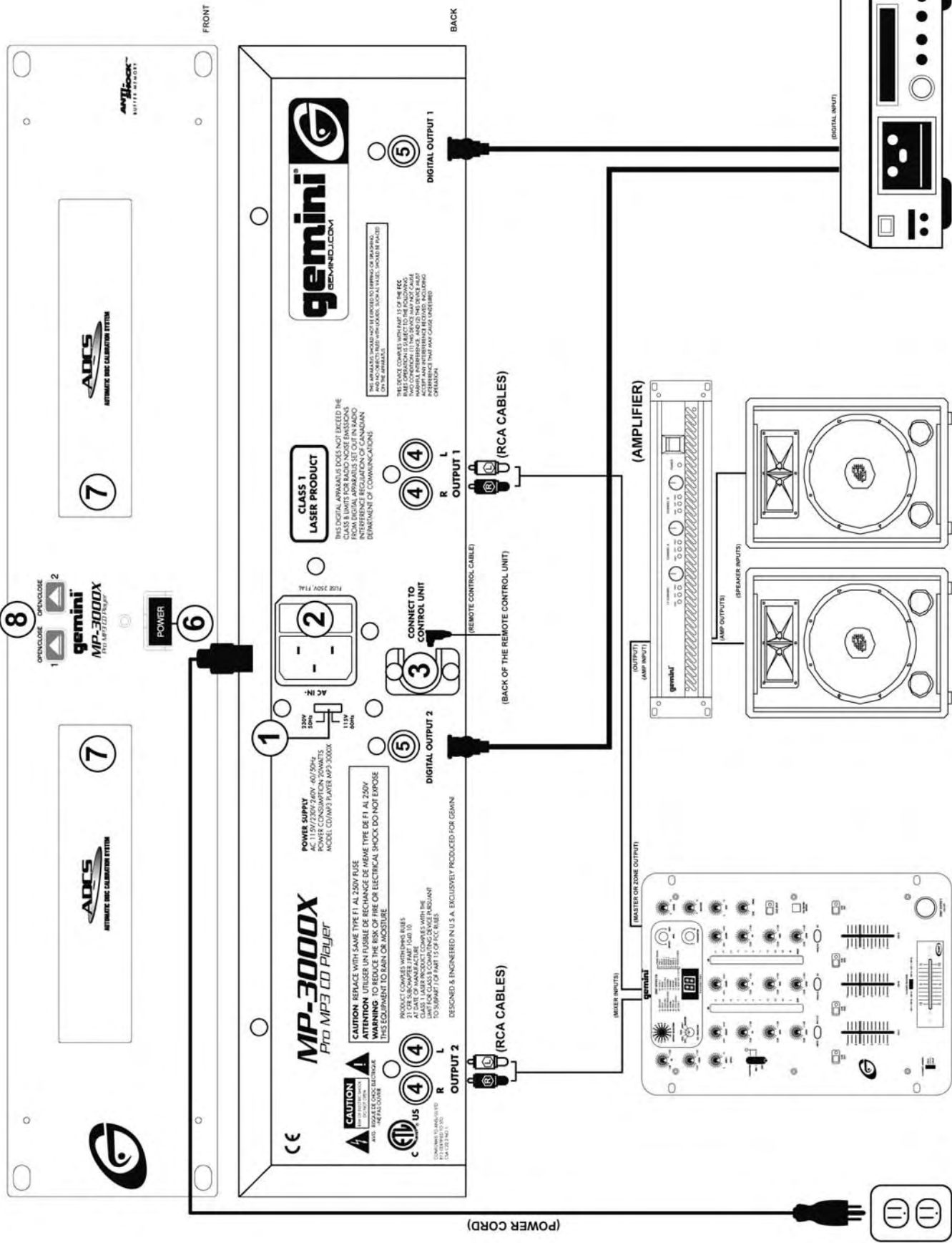


BACK



(CONNECT CABLE TO MAIN UNIT)

**(MAIN UNIT)**



# INTRODUCTION:

Congratulations on your purchase of a **Gemini MP-3000X** CD Player. Your state-of-the-art professional CD Player is backed by a three-year warranty that excludes lasers, which are covered by a separate one-year warranty. Prior to use of this unit, we suggest you carefully read the following instructions. Your **Gemini MP-3000X** CD Player comes equipped with **ADCS (Automatic Disc Calibration System)**, a unique state-of-the-art feature. CDs are produced by a variety of manufacturers and recorded by many different professional companies as well as the do-it-yourselfers at home. Therefore, all CDs do not play the same. The **ADCS** automatically adjusts the laser in your **MP-3000X** CD Player for each individual CD you insert into the tray, to give you the best possible performance for every CD you play regardless of how it was manufactured or how it was recorded. With this exclusive system you always get consistent and reliable performance as well as exceptional sound quality every time you play a CD... any CD.

# FEATURES:

- Can Play: MP3/AUDIO CDS, CDR, CDRW
- Frame- Accurate & Ultra-Fast Track Music Search
- ADCS (Automatic Disc Calibration System)
- 4%, 8%, 16% Pitch Control Range
- Pitch Bend
- Instant Start
- Search Mode Selector
- Adjustable Pitch Control
- High-Visibility Blue LED Display
- Robo-Start
- Anti-Shock Buffer Memory
- Inner/Outer Jog Wheel
- Real-Time Editing For Loop
- Cue, Pitch, Loop & Bend

# CAUTIONS:

Do not use this CD player at temperatures below **41°F/5°C** or higher than **95°F/35°C**. The apparatus should not be exposed to dripping or splashing, and no objects filled with liquids such as vases should be placed on the apparatus. Place the unit in a clean and dry location. Do not place the unit in an unstable location. When disconnecting the power cord from an AC outlet, always grasp it by the plug. Never pull the power cord. To prevent electric shock, do not remove the cover or the bottom screws. There are no user serviceable parts inside. Please refer servicing to a qualified technician. Do not use chemical solvents to clean the unit. Keep the laser pickup clean by keeping the tray closed. Keep this manual in a safe place for future reference.

# SAFETY CERTIFICATIONS:

**Laser Diode Properties**  
**Material:** Ga - Al - As  
**Wavelength:** 755 - 815 nm (25° C)  
**Laser Output:** Continuous Wave, max. 5mW

# LINE VOLTAGE SELECTION:

The Gemini **MP-3000X** CD Player is a dual voltage unit operating at **115** or **230** volts. Be sure to set the proper voltage:

1. Place the head of a screwdriver in the center of the **VOLTAGE SELECTOR (1)** switch found on the rear panel.
2. Slide the switch to **115** or **230** volts.
3. Do not force or twist the switch. Excessive force may cause damage. If the switch does not move smoothly, contact a qualified technician.

# CONNECTIONS:

1. Using the included cable, plug one end into the **REMOTE CONTROL (3)** jack and the other end in the **(MAIN UNIT) REMOTE CONTROL (3)** jack.
2. Plug one end of a set of **RCA** connectors into the two **LINE OUTPUT JACKS (4)** on the back of your CD unit.
3. Plug the other end of the **RCA** connectors into any of the available line level input jacks on your mixer. If you are playing the **MP-3000X** through a receiver, you can plug the **RCA** connectors into the **CD** or **AUX INPUT JACKS** located on the receiver. If there are no **CD** or **AUX INPUTS**, use any line level (**not phono**) input.
4. The **DIGITAL OUTPUT- BNC (5)** jacks are for connecting to any type of **DAT, MD, HARD DRIVE**, or any other type of device that accept digital signals.

# FUNCTIONS:

**POWER:** After making sure the **VOLTAGE SELECTOR (1)** switch is properly set, plug the unit in and press the **POWER (6)** button. The unit will turn on. Pushing **POWER (6)** a second time turns the unit off.

**DISC TRAY:** The **DISC TRAY (7)** is where the CD is held during loading, unloading and playback. Pressing **OPEN/CLOSE (8)** opens or closes the tray. The **DISC TRAY (7)** holds both **12 cm** and **8 cm** CDs and automatically closes after remaining open for three minutes.

**NOTE: THE DISC TRAY (7) WILL NOT OPEN WHEN THE MP-3000X IS IN THE PLAY MODE.**

**OPEN/CLOSE:** Press **OPEN/CLOSE (8)** to load or remove a CD from the **DISC TRAY (7)**.

**DISPLAY:** The **DISPLAY (9)** shows: **TOTAL TRACKS, TRACK NUMBER, PITCH VALUE, SINGLE-AUTO CUE, CONTINUE** (continuous play), and three different time displays: **ELAPSED, REMAIN** and **TOTAL REMAIN** on a disc. Time is measured in **MINUTES, SECONDS** and **FRAMES**.

**NOTE: FOR MP3 DISCS THE DISPLAY WILL ONLY SHOW THE ELAPSED AND REMAIN TIME.**

**PLAYBACK DISPLAY BAR:** The **PLAYBACK DISPLAY BAR (10)** displays the remaining play time and time elapsed for each track. The display flashes slowly when the track has **15** seconds remaining and pulses rapidly when play time is down to **5** seconds.


**PLAY/PAUSE** : Each press of **PLAY/PAUSE (11)** causes the operation to change from **PLAY** to **PAUSE** or **PAUSE** to **PLAY**.

**CUE/PREVIEW:** With the unit in the **PLAY** mode and after the **CUE POINT** has been programmed, pressing **CUE/PREVIEW (12)** will cause the CD player to enter the **PAUSE** mode at the programmed **CUE POINT**. Holding down the **CUE/PREVIEW (12)** button changes the function to **PREVIEW** and starts the CD from the programmed **CUE POINT**. Releasing the **CUE/PREVIEW (12)** button will return the CD laser to the preset **CUE POINT**.

**SEARCH** : The **SEARCH (13)** buttons are used to move forward or reverse while in **PLAY** or **PAUSE** mode. See the **CUE INSTRUCTIONS** section for more information.

**TRACK SEARCH** : The **TRACK SEARCH (14)** buttons let you select a track to play.

**TIME:** The **TIME (15)** button switches the time display between the three available choices listed under **DISPLAY (9)**.

**STOP** : The **STOP (16)** button ends CD play.

**SINGLE AUTO CUE/CONTINUE:** Pressing **SINGLE AUTO CUE/CONTINUE (17)** activates the **AUTO CUE** function. The **AUTO CUE** causes the CD to pause at the recorded beginning of the next track and allows you to start play into the next song with no space in between songs. Pressing **SINGLE AUTO CUE/CONTINUE (17)** a second time will activate the **CONTINUOUS** function. This causes the CD to repeat play continuously until **SINGLE AUTO CUE/CONTINUE (17)** is pressed a third time to deactivate the **CONTINUOUS** function. Player will play from the beginning to the end of a CD and stop, in **NORMAL** mode.

**FLY CUE:** The **FLY CUE (18)** function lets you set cues "on the fly" with the press of a button. Press **FLY CUE (18)** when the disc reaches the musical location you wish to make your cue or start point. The **CUE POINT** is now programmed. Press **CUE/PREVIEW (12)** to return to the **CUE POINT**. Press **PLAY/PAUSE (11)** and the unit starts from the pre-programmed spot.


**B/EXIT:** After a **CUE POINT** is memorized, pressing the **B/EXIT (19)** button in **PLAY** mode, repeats the section between the **CUE POINT** and the point where the **B/EXIT (19)** button was pressed. Press the **B/EXIT (19)** button again or pause play to exit the repeating play.

**B-EDIT:** After a **LOOP** has been memorized you can change the length of the **LOOP** by pressing **B-EDIT (20)** then use the **JOG WHEEL (22)** to adjust the length. To exit **EDIT** mode press **B-EDIT (20)** again.

**RETURN:** The **RETURN (15)** button has two functions. To return to a previously saved **LOOP** from normal play, press the **RETURN (15)** button after saving the **LOOP**. To return to and instantly play from a previously saved **CUE POINT**, press the **RETURN (15)** button after setting the **CUE POINT** (if you do not have a **LOOP** saved).

**JOG WHEEL:** The **JOG WHEEL (22)** has two modes: **MUSIC** and **TRACK** modes. Press **SEARCH MODE (23)** to change between modes. In **MUSIC** mode you can use the **INNER WHEEL** to make fine adjustments in **PAUSE** mode for **CUEING** and to bend the pitch for precise synchronization in **PLAY** mode. Use the **OUTER WHEEL** for rapid searching just like the **SEARCH (13)** buttons. In **TRACK** mode the **INNER WHEEL** will skip a few tracks as you turn the wheel, and the **OUTER WHEEL** will jump through many tracks when turned.

**PITCH:** Pushing the **PITCH (25)** button activates the **PITCH** section of the unit. The pitch of the CD will change according to the position of the **PITCH CONTROL SLIDE (27)**.

**PITCH BEND** : Pushing the **PITCH BEND (26)** buttons will automatically raise the pitch up to **+4%** or lower the pitch down to **-4%** from the existing setting. Releasing the buttons returns pitch to the original setting. Use this function to match the pitch bend when mixing from one song to another.

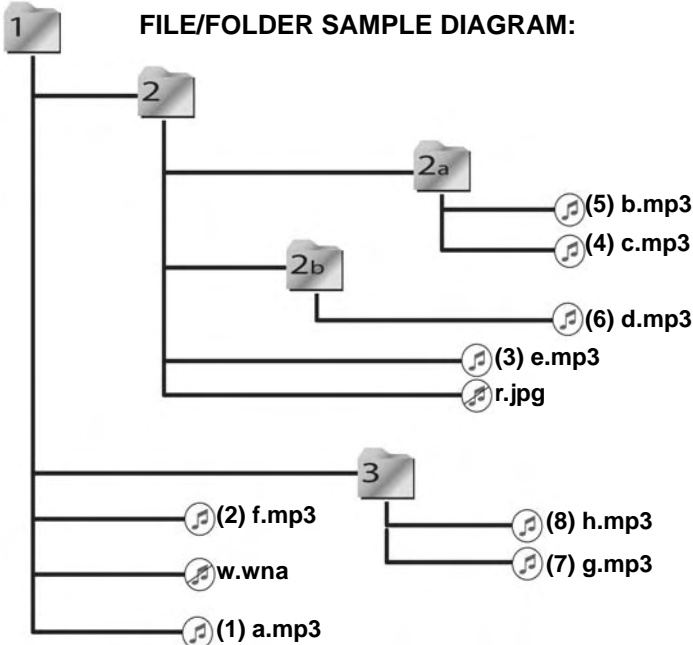
**VPS (VARIABLE PITCH SELECTOR) 4%, 8% and 16%:** Use the **VPS (28)** buttons to assign the percent the **PITCH CONTROL SLIDE (27)** will have. The **4%** button will assign **+/- 4%** to the **PITCH CONTROL SLIDE (27)**. The **8%** button will assign **+/- 8%** to the **PITCH CONTROL SLIDE (27)**. The **16%** button will assign **+/- 16%** to the **PITCH CONTROL SLIDE (27)**. The **PITCH (25)** button must be **ON** for the **VPS (28)** to work.

# OPERATING INSTRUCTIONS:

1. Make sure that the **VOLTAGE SELECTOR SWITCH (1)**, found on the rear panel, is set for the proper voltage. Plug the unit in and press the **POWER (6)** switch. The unit is **ON**. Pushing **POWER (6)** a second time turns the unit **OFF**.
2. Press **OPEN/CLOSE (8)** and place a CD in the **DISC TRAY (7)**. Press **OPEN/CLOSE (8)** again. The tray will close.
3. Push **TRACK SEARCH (14)** to select the track you wish to play.
4. Press **PLAY/PAUSE (11)** and the unit will instantly play.

## ORDER OF READING FOR MP3 FILES:

All MP3 files must have the extension \*.mp3. If there are no files with \*.mp3 extensions or MP-3000X cannot read the file system correctly the CD player will indicate **NO DISK** and the MP3 segment in the right corner of LCD display will blink. If a file has no \*.mp3 extension, it will be skipped, during the file system reading. (See w.wna and r.jpg files in the diagram). UDF format is not supported. For MP3 files with adaptive bit-rates, the ELAPSED and REMAIN time indication may be inaccurate. The MP-3000X will only play the first session of tracks on a CD that has been recorded in a MULTISESSION or MIXED mode.



Order of reading for MP3 files: a.mp3, f.mp3, e.mp3, c.mp3, b.mp3, d.mp3, g.mp3, h.mp3.

## FLY CUE & CUE INSTRUCTIONS:

The **FLY CUE (18)** function lets you set cues "on the fly" with the press of a button. Press **FLY CUE (18)** when the disc reaches the musical location you wish to make your **CUE** or **START POINT**. The **CUE POINT** is now programmed. Press **CUE/PREVIEW (12)** to return to the **CUE POINT**. Press **PLAY/PAUSE (11)** and the unit will instantly start from this pre-programmed spot.

## AND/OR:

- To preprogram a cue point (the spot on a CD at which you want play to start) select the proper track and push **PLAY/PAUSE (11)** so the unit enters the **PLAY** mode. When the CD reaches the approximate musical spot you wish to make your cue, push **PLAY/PAUSE (11)** so the unit enters the **PAUSE** mode (**PLAY/PAUSE LED** blinks). Move the **JOG WHEEL (22)** forward or in reverse until the precise spot at which you want CD play to begin is located. For **MP3** disks use the **INNER WHEEL** to find the precise spot. (You will not hear the music when moving **OUTER WHEEL**). Push **PLAY/PAUSE (11)**. The cue point is now programmed. Press **CUE/PREVIEW (12)** to return to this preprogrammed cue point at any time. Push **PLAY/PAUSE (11)** and the unit will instantly play from the pre-selected spot.
- To fine-tune your pre-programmed **CUE POINT**, push **PLAY/PAUSE (11)** so the unit enters the **PLAY** mode. Push the **CUE/PREVIEW (12)** button and the CD will return to the **CUE POINT** you programmed in step #1 and begin play from that point. If you decide this **CUE** or **STARTING POINT** is okay, leave the unit alone until you are ready to play.
- If, however, the selected spot is not exactly where you want it, push the **CUE/PREVIEW (12)** button while the CD is playing and the disc will return to the pre-programmed cue point. Locate the exact spot on the CD at which you want play to start by turning the **JOG WHEEL (22)**. Push **PLAY/PAUSE (11)** to preprogram this new cue point. Press the **CUE/PREVIEW (12)** button to pause play at the new **CUE POINT**. Push **PLAY/PAUSE (11)** at any time and the unit will play from the pre-selected spot.

## ROBO START INSTRUCTIONS:

### IN SINGLE-AUTO CUE MODE:

Use **ROBO START (29)** in **SINGLE AUTO CUE** mode to alternate play between the **MP-3000Xs** two sides (one track from one side, then one from the other). In **SINGLE AUTO CUE** mode play starts immediately with no blank or "dead" space. **ROBO START (29)** causes one side of the CD player to play when the other side is paused.

- Engage **SINGLE AUTO CUE** mode with the **SINGLE AUTO CUE/CONTINUOUS (17)** button.
- Press the **ROBO START (29)** button to activate **ROBO START (29)**. Play will alternate between the two CD players. At the end of a track, the playing side pauses and the other CD deck plays a track. At the end of this track, the playing side pauses and the first CD deck resumes play.

## IN CONTINUOUS MODE OR DURING NORMAL PLAY:

If you use the **ROBO START (29)** function without **SINGLE AUTO CUE MODE** (in **CONTINUOUS MODE** or during normal play), CD deck play does not alternate automatically. The **PLAY/PAUSE (11)** button must be pressed on the playing deck for the second deck to play.

- During normal play, set a cue point on the second CD deck.
- Press the **ROBO START (29)** button to activate **ROBO START**.
- Press **PLAY/PAUSE (11)** button on the playing side to start play from the cue point on the other CD deck.

**NOTE: PAUSING PLAY IN THE MIDDLE OF A TRACK CAUSES THE OTHER CD DECK TO PLAY. WHEN THE NEW TRACK ENDS, PLAY RESUMES ON THE FIRST CD PLAYER FROM THE POINT AT WHICH, IT WAS PAUSED.**

## TROUBLESHOOTING:

- If a disk will not play, check to see that it was loaded correctly (label side up) and that the CD unit is on a flat, level, stable surface. Check disc for dirt, scratches, spills, etc.
- If the disc spins but there is no sound, check the cable connections. If they are okay, check your amplifier or receiver.
- If the CD skips, check it for dirt, oil or scratches. Do not assume that the CD player or laser is defective. Many CDs are recorded "out of spec" and skip on most or all CD players. Before sending the unit to an authorized Gemini service technician, insert a disc that plays properly in another unit.

**NOTE: DEPENDING ON THE CONDITIONS OF THE RECORDING EQUIPMENT OR THE CD-R/RW DISC ITSELF, SOME CD-R/RW DISCS CANNOT BE PLAYED.**

In the U.S.A., if you have any problems with this unit, call 1-732-738-9003 for customer service. Do not return equipment to your dealer!

## SPECIFICATIONS:

### GENERAL:

Type.....Dual Mechanism Compact Disc / MP3 Player w/wired remote  
 Disc Type.....Standard Compact discs (12 cm & 8 cm)  
 Time Display.....Track Elapsed, Track Remain, or Total remain  
 Instant Start.....Within 0.015 seconds  
 Track Selection.....1 to 999 Tracks  
 Installation.....(3U Remote Control / 2U Main Unit) 19"/482mm each  
 Dimensions.....Remote Control-W 19" x H 5 3/16" x D 1 5/8" (482x35x38)  
 Main Unit-W 19" x H 3.5" x D 10" (482x88x254)  
 Weight Per Unit.....Remote Control-3.5 lbs (1.5 kg) / Main Unit-9.5 lbs. (4.3 kg)

### AUDIO SECTION:

Bit Rate.....32-392 kbps  
 Quantization.....16 Bit Linear/Channel, 3 Beam Laser  
 Oversampling Rate.....8 Times  
 Sampling Frequency.....44.1 kHz  
 Frequency Response.....20 Hz to 20 kHz  
 Total Harmonic Distortion.....Less Than 0.05%  
 Signal to Noise Ratio.....100 dB  
 Dynamic Range.....96 dB  
 Channel Separation.....90 dB (1 KHz)  
 Output Level.....1.9 Volts R.M.S.  
 Power Supply.....AC 115/230V, 60/50 Hz

**NOTE: SPECIFICATIONS AND DESIGN ARE SUBJECT TO CHANGE WITHOUT NOTICE FOR PURPOSE OF IMPROVEMENT.**



GEMINI  
MP-3000X CA PARTS LIST :

(MODEL NO.) (ORIGINAL MODEL)

ITEM	PART NUMBER	REV.	Q'ty	ENGLISH NAME	WHERE USED & REMARK
1	012-075		1	PANEL CONTROL	新
2	031-089		1	COVER	新
3	021-624		1	VR ANGLE	新
4	003-427		2	PLATE LAMP	同CDX-602 CA
5	003-428		2	LAMP HOLDER	同CDX-602 CA
6					
7	002-572		1	KNOB PUSH (CA)	同CDX-602 CA
8	003-168		2	KNOB ROTARY (A)	新(表面PE處理)
9	003-169		2	KNOB ROTARY (B)	新(表面PE處理)
10	002-720		2	KNOB SLIDE	同CDX-602 CA
11	148-316		1	NAME PLATE (SMALL)	同CDX-802 CA
12					
13	003-738		2	VR INLAY (CA)	同CDX-602 CA
14	003-739		1	PROTECTOR INLAY	同CDX-602 CA
15	003-711		4	HOLDER LED 3φ (7mm)	同BPM250(品固LED-7)
16					
17	002-590		2	KNOB PUSH KEY ASS'Y (A)	新
18	002-591		2	KNOB PUSH KEY ASS'Y (B)	新
19	002-592		2	KNOB PUSH KEY ASS'Y (C)	新
20	002-593		2	KNOB PUSH KEY ASS'Y (D)	新
21	003-741		2	PUSE KEY INLAY (CA)	同CDX-602 CA
22					
23	049-216		4	PAD FOOT	新(品固GL-18)
24	159-227		2	VR DUST PROOF CLOTH (CA)	同CDX-602 CA
25					

GEMINI  
MP-3000X CA PARTS LIST :

(MODEL NO.) (ORIGINAL MODEL)

ITEM	PART NUMBER	REV.	Q'ty	ENGLISH NAME	WHERE USED & REMARK
26	099-252		2	LAMP PAPER	同CDX-602 CA
27					
28	099-275		1	LAMP PAPER (ROBO)	新
29	099-253		2	LAMP LABEL	同CDX-602 CA
30					
31	153-239		1 組	POLYFORM	新
32	196-223	※	1	SERIAL NO:LABEL	同MP-3000X DA (成品×1) 包裝時須與DA對號包箱
33					
34	099-014		1		台灣使用
35	099-214		1		大陸使用
36					
37	190-062		1		
38	160-045		1	PE BAG 160x650mm	成品用
39					
40	110-172A		4	BAND-HEAD TAPPING SCREW/TWIN SCREW	VR 支架→燈罩(4)
41	111-046A		18	BAND-HEAD TAPPING SCREW	保護框→DIN JACK(2),PCB→VR 支架(16)
42	111-057		6	FLAT-HEAD TAPPING SCREW	面板→VR 支架(6)
43	121-002A		6	BAND-HEAD TAPPING SCREW	蓋板(6)
44					
45					
46					
47					
48					
49					
50					



GEMINI  
MP-3000X CA PARTS LIST :  
(MODEL NO.) (ORIGINAL MODEL)

ITEM	PART NUMBER	REV.	Q'ty	ENGLISH NAME	WHERE USED & REMARK
1	262-492		1	PRINTED CIRCUIT BOARD MP3000-5	CONTROL UNIT (428x122 FR-4材質)
2	262-491		1	PRINTED CIRCUIT BOARD MP3000-4	■MIN DIN (48x28 94V0材質) MP3000-3共模上有MP3000-4兩片
3	262-493		2	PRINTED CIRCUIT BOARD MP3000-6	LED (84x10 94V0材質) 一摸10片 【與 CDX-602 PC-8 共用模具,印刷不同】
4					
5	074-205		2	INTEGRATED CIRCUIT LC75824E	SANYO;PC5
6	074-206		1	INTEGRATED CIRCUIT TMP93PW32F	TOSHIBA;PC5 (燒錄程式.hex)
7	074-074		1	INTEGRATED CIRCUIT NJM7805FA	JRC 限用塑膠包裝外殼;PC4
8	074-204		1	INTEGRATED CIRCUIT SN74LV164A	TEXAS;PC5
9					
10	076-095		1	TRANSISTOR 2SC2878	PC5
11	079-003		21	SILICON DIODE 1N4148	PC5
12					
13	080-119		2	LIGHT EMITTING DIODE (GREEN) 3φ	三得SDL-3N2FGD;PC5
14	080-118		2	LIGHT EMITTING DIODE (RED) 3φ	三得SDL-3N2HD;PC5
15	080-124		6	LED (WHITE) 2x4	三得SDL-20403PW;PC6(3)x2
16	080-125		8	LED (RED) 2.2x3.0	三得SDS-2230JO;PC5
17	080-126		6	LED (BLUE) 2.2x3.0	三得SDS-2230SB;PC5
18					
19	001-083		2	LCD PANEL	USS-H364ENV-B(藍底白字);PC5
20	072-112 I		2	SLIDE VR 60mm	艾華RA6044-20T-10C1-B14-0015G, 福華RS6011YP9201-10KB;PC5
21					
22	082-050		6	TACT SWITCH (LED/RED)	雄美TL-SXXR;PC5
23	082-051		4	TACT SWITCH (LED/GREEN)	雄美TL-SXXN;PC5
24	082-042F		33	TACT SWITCH	福華SKHVBE3520-CE;PC5
25	083-116		2	ROTARY ENCODERS	尚鋒RE35C-B-2-1-RR;PC5

GEMINI  
MP-3000X CA PARTS LIST :

(MODEL NO.)                      (ORIGINAL MODEL)

ITEM	PART NUMBER	REV.	Q'ty	ENGLISH NAME	WHERE USED & REMARK
26	092-147		1	8P DIN MINI JACK	立生LNB0512;PC4
27					
28	050-203T		1	ELECTROLYTIC CAPACITOR MINI 4φ×8 L L 4.7μ/50V	腳距 5mm;PC5 低漏電
29	050-166T		3	ELECTROLYTIC CAPACITOR MINI 5φ×7 47μ/16V	腳距 5mm;PC5
30	050-174T		4	ELECTROLYTIC CAPACITOR MINI 5φ×7 100μ/10V	腳距 5mm;PC4(1),PC5(3)
31					
32	054-026T		2	POLYESTER CAPACITOR 0.1μ/50V	腳距 5mm;PC5
33					
34	058-024		1	CRYSTAL OSCILLATOR 20MHz	PC5
35					
36	057-015		2	MLC. CHIP CAPACITOR 27P/50V	PC5 SIZE 0603
37	057-022		2	MLC. CHIP CAPACITOR 100P/50V	PC5 SIZE 0603
38	057-058		10	MLC. CHIP CAPACITOR 0.1μ/50V	PC5 SIZE 0603
39					
40	060-242		2	1/4 W CARBON FILM RESISTOR S 100Ω	PC4
41					
42	064-050		28	1/8 W CHIP RESISTORS 220Ω	PC5 SIZE 0805
43					
44	065-071		6	1/10 W CHIP RESISTORS 1KΩ	PC5 SIZE 0603
45	065-087		1	1/10 W CHIP RESISTORS 4.7KΩ	PC5 SIZE 0603
46	065-088		2	1/10 W CHIP RESISTORS 5.1KΩ	PC5 SIZE 0603
47	065-095		14	1/10 W CHIP RESISTORS 10KΩ	PC5 SIZE 0603
48	065-135		2	1/10 W CHIP RESISTORS 470KΩ	PC5 SIZE 0603
49	065-151		1	1/10 W CHIP RESISTORS 1MΩ	PC5 SIZE 0603
50					



GEMINI  
MP-3000X DA PARTS LIST:

PARTS LIST		(MODEL NO.)		(ORIGINAL MODEL)	
ITEM	PART NUMBER	REV.	Q'ty	ENGLISH NAME	WHERE USED & REMARK
1	012-076		1	PANEL CONTROL	新(同CDX-602 DA本體,印刷新)
2	031-040		1	TOP COVER	同CDX-602 DA
3	032-178		1	BOTTOM COVER	新(同CDX-602 DA,本体設變孔位)
4	021-604		1	SUB PANEL	同CDX-602 DA
5	041-558		1	HEAT SINK	新
6	041-559		2	HEAT SINK (C)	新
7	022-860		2	MOUNTING BRACKET	同CDX-602 DA
8	022-493		2	HOLDER BNC	新
9					
10	003-737		2	DESK DOOR	同CDX-602 DA
11	002-573		1	KNOB PUSH (DA)	同CDX-602 DA
12	003-743		1	PUSE KEY INLAY (DA)	同CDX-602 DA
13	002-576		1	KNOB PUSH KEY ASS'Y (C)	同CDX-602 CA
14	003-739		1	PROTECTOR INLAY	同CDX-602 CA
15	003-711		1	HOLDER LED 3φ (7mm)	同BPM250(品固LED-7)
16					
17	047-494		6	PCB SUPPORT	同CDX-602 DA(品固SCC-8)
18	148-316		1	NAME PLATE (SMALL)	同CDX-802 CA
19	049-216		4	PAD FOOT	同MP-3000X CA(品固GL-18)
20					
21	153-213		1 組	POLYFORM	同CDX-602 DA
22	196-223	※	3	SERIAL NO:LABEL	新(成品×1,內箱×1,外箱×1) 包裝時須與CA對號包箱
23	255-299		1	GIFT BOX	新
24	257-039		1	OWNER'S MANUAL	新
25	156-089		1	WARRANTY CARD	

GEMINI  
MP-3000X DA PARTS LIST:

PARTS LIST		(MODEL NO.)		(ORIGINAL MODEL)	
ITEM	PART NUMBER	REV.	Q'ty	ENGLISH NAME	WHERE USED & REMARK
26	159-233		4	DOUBLE LABEL	同CDX-802 DA(20mmx2mmx1t)
27					
28	190-062		1		
29					
30	099-167		1	A LABEL	UL/110V;美國地區
31	099-168		1	J LABEL	T-MARK/100V;日本地區
32	099-169		1	V LABEL	VDE/230V;美/法/英/德/義地區
33	099-014		1		台灣使用
34	099-214		1		大陸使用
35					
36	099-232		2	使用於230V地區	貼於禮盒兩側電壓標示6x6正方格內(請依地區電壓規格使用)
37	099-233		2	使用於117V地區	貼於禮盒兩側電壓標示6x6正方格內(請依地區電壓規格使用)
38	099-234		2	使用於230V-BS地區	貼於禮盒兩側電壓標示6x6正方格內(請依地區電壓規格使用)
39					
40					
41	160-009		1	PE BAG 230x300mm	說明書用
42	160-044		1	PE BAG 160x250mm	電源線用
43	160-052		1	PE BAG 650x650mm	成品用
44					
45					
46	121-002A		16	BAND-HEAD TAPPING SCREW	支架→下蓋(5)←上蓋(5),開關→面板(2),散熱片→下蓋(2),PCB →面板組(2)
47	111-046A		14	BAND-HEAD TAPPING SCREW	110V 開關→下蓋(2),機座→下蓋(8),保護框→DIN JACK(2),BNC固定片→下蓋(2)
48					
49	110-172A		6	BAND-HEAD TAPPING SCREW/TWIN SCREW	下蓋→RCA JACK(2),散熱片(C)→IC(4)
50	101-043		3	FLAT-HEAD MACHINE SCREW	散熱片→TR(3)

GEMINI  
MP-3000X DA PARTS LIST:

PARTS LIST		(MODEL NO.)		(ORIGINAL MODEL)	
ITEM	PART NUMBER	REV.	Q'ty	ENGLISH NAME	WHERE USED & REMARK
51	110-078		2	PAN-HEAD TAPPING SCREW	變壓器→下蓋(2)
52	111-030		1	PAN-HEAD TAPPING SCREW	接地(1)
53	111-044A		4	BAND-HEAD TAPPING SCREW ( "NUT" )	上蓋→下蓋(4)
54					
55	111-057		6	FLAT-HEAD TAPPING SCREW	面板→支架(6)
56					
57	131-081		3	NUT/WASHER 3mm	TR(3)
58					
59	170-469				
60					
61					
62					
63					
64					
65					

GEMINI  
MP-3000X DA PARTS LIST:

PARTS LIST		(MODEL NO.)		(ORIGINAL MODEL)	
ITEM	PART NUMBER	REV.	Q'ty	ENGLISH NAME	WHERE USED & REMARK
1	262-488		2	PRINTED CIRCUIT BOARD MP3000-1	MAIN UNIT (160.4x93.75 FR-4材質)
2	262-291		1	PRINTED CIRCUIT BOARD CD01-4	OPEN CLOSE (68x45,5 94V0材質) 一摸2片
3	262-489		1	PRINTED CIRCUIT BOARD MP3000-2	POWER SUPPLY (57x107 94V0材質) 一摸3片
4	262-490		1	PRINTED CIRCUIT BOARD MP3000-3	■POWER SW (18x28 94V0材質) 一摸2片與MP3000-4共模
5					
6	074-184		2	INTEGRATED CIRCUIT PCM1717E	BURR BROWN;PC1(1)x2
7	074-185		1	INTEGRATED CIRCUIT NJM79L05	JRC 限用塑膠包裝外殼;PC2
8	074-074		1	INTEGRATED CIRCUIT NJM7805FA	JRC 限用塑膠包裝外殼;PC2
9	074-104S		2	INTEGRATED CIRCUIT NJM4558LD (M5218AL,BA15218N)	PC1(1)x2
10	074-186		2	INTEGRATED CIRCUIT NJM317F	JRC 限用塑膠包裝外殼;PC2
11	074-182A		2	INTEGRATED CIRCUIT BA6392FP (AT6392H)	R OHM;PC1(1)x2
12	074-181		2	INTEGRATED CIRCUIT BA6218	R OHM;PC1(1)x2
13					
14	074-200		2	INTEGRATED CIRCUIT CS8405A	CRYSTAL;PC1(1)x2
15	074-201		2	INTEGRATED CIRCUIT CXA2581N	SONY;PC1(1)x2
16	074-192		2	INTEGRATED CIRCUIT CXD3068Q	SONY;PC1(1)x2
17	074-194		2	INTEGRATED CIRCUIT MM74HCT00M	FSC;PC1(1)x2
18	074-203		2	INTEGRATED CIRCUIT MLC3100A	MCS LOGIC;PC1(1)x2
19	074-202		2	INTEGRATED CIRCUIT HY57V64820GHT-H	HYNIX;PC1(1)x2 代 SAMSUNG K4S640832D
20	074-206		2	INTEGRATED CIRCUIT TMP93PW32F	TOSHIBA;PC1(1)x2 (燒錄程式 .hex)
21					
22	076-137		2	TRANSISTOR 2SA954(L) OR 2SA817(Y)	PC1(1)x2
23	076-104		2	TRANSISTOR 2SA1048 OR 2SA1317	PC1(1)x2
24	076-095		6	TRANSISTOR 2SC2878	PC1(3)x2
25					

GEMINI  
MP-3000X DA PARTS LIST:

PARTS LIST		(MODEL NO.)		(ORIGINAL MODEL)	
ITEM	PART NUMBER	REV.	Q'ty	ENGLISH NAME	WHERE USED & REMARK
26	076-002		2	TRANSISTOR 2SC945	PC1(1)×2
27	076-003			SILICON TRANSISTORS OR 2SC1815	
28					
29	079-027		8	RECTIFIER DIODE 1N4002 (1N4003,1N4004)	PC1(1)×2,PC2(6)
30	079-003		12	SILICON DIODE 1N4148	PC1(6)×2
31					
32					
33	080-118		1	LIGHT EMITTING DIODE (RED) 3φ	三得SDL-3N2HD;PC4
34					
35	001-062A		2	CD PLAYER LOADER	KSL-2130CCM
36	058-021		2	CRYSTAL OSCILLATOR 16.9344MHz	PC1(1)×2
37	058-024		2	CRYSTAL OSCILLATOR 20MHz	PC1(1)×2
38					
39	092-161		2	BNC CONNECTOR	來興IAJ03;PC1(1)×2
40	161-173		2	2P RCA JACK	呈銘042M;PC1(1)×2
41	092-105		1	AC INLET	世揚SY211[0717-1],無螺絲孔
42	100-069		1	FUSE 20mm UL 1A AC250V	AC INLET 使用
43					
44	147-028		4	CHOKE COIL 3.3μH	PC1(2)×2
45	147-026		12	CHOKE COIL 10μH	PC1(6)×2
46					
47	059-229		1	POWER TRANSFORMER EI-57×30 115/230V IN 8.3V 0 8.3V 850mA,11.7V 0 11.7V 900mA	VDE 安規
48	059-236		1	CHOKE EE25.4 24mH	PC2 EMC1
49	059-237		1	FERRIT BEAD 14×28×9H	091-482 3P接線插頭使用
50					



GEMINI  
MP-3000X DA PARTS LIST:

PARTS LIST		(MODEL NO.)		(ORIGINAL MODEL)	
ITEM	PART NUMBER	REV.	Q'ty	ENGLISH NAME	WHERE USED & REMARK
51	093-370	☆	1	AC CORD 18AWGx3C VW-1	美規,3P線,線末有連接器,附件包
52	093-371	☆	1	AC CORD 220V VDE	歐規,3P線,線末有連接器,附件包
53	093-372N	☆	1	AC CORD	英國專用,3P線,線末有連接器,附件包
54	093-410	☆	1	AC CORD	阿根廷專用,3P線,線末有連接器,附件包
55					
56	081-023		1	SLIDE SWITCH 2P2C UL	嘉尼SL14-22AM(1A);後板用
57	082-042F		2	TACT SWITCH	福華SKHVBE3520-CE;PC4
58	083-065F		1	POWER SWITCH UL	福華SFDLB11G7U-CE;PC3
59					
60	091-456		1	8P DIN MINI CONNECTOR WITH WIRE 1200mm	附件用
61	092-147		1	8P DIN MINI JACK	立生LNB0512-8;PC2
62	091-473		2	(RCA TYPE) CONNECTOR CORD 1M	附件用
63					
64	050-029T		4	ELECTROLYTIC CAPACITOR 5φx11 10μ/16V	腳距 5mm;PC2
65	050-195		1	ELECTROLYTIC CAPACITOR 18φx32 10000μ/16V	PC2
66	050-194		1	ELECTROLYTIC CAPACITOR 16φx26 4700μ/16V	PC2
67	050-082		1	ELECTROLYTIC CAPACITOR 13φx21 2200μ/16V	PC2
68	050-146T		2	ELECTROLYTIC CAPACITOR 6φ 220μ/16V	腳距 5mm;PC1(1)x2
69	050-147		2	ELECTROLYTIC CAPACITOR 8φx11 470μ/16V	腳距 5mm;PC1(1)x2
70					
71	050-203T		2	ELECTROLYTIC CAPACITOR MINI 4φx8 LL 4.7μ/50V	腳距 5mm;PC1(1)x2 低漏電
72	050-115T		16	ELECTROLYTIC CAPACITOR MINI 4φx8 10μ/16V	腳距 5mm;PC1(8)x2
73	050-111T		2	ELECTROLYTIC CAPACITOR MINI 4φx8 22μ/16V	腳距 5mm;PC1(1)x2
74	050-166T		10	ELECTROLYTIC CAPACITOR MINI 5φx7 47μ/16V	腳距 5mm;PC1(5)x2
75	050-174T		40	ELECTROLYTIC CAPACITOR MINI 5φx7 100μ/10V	腳距 5mm;PC1(20)x2

GEMINI  
MP-3000X DA PARTS LIST:

PARTS LIST		(MODEL NO.)		(ORIGINAL MODEL)	
ITEM	PART NUMBER	REV.	Q'ty	ENGLISH NAME	WHERE USED & REMARK
76	055-062		2	METAL FILM CAPACITORS 0.1 $\mu$ /275VAC	腳距 15mm;PC2
77					
78	051-002T		2	CERAMIC CAPACITOR 2P/50V	腳距 5mm;PC1(1) $\times$ 2
79	051-156		1	CERAMIC CAPACITOR UL 0.0047 $\mu$ /400V	POWER SW, 一般腳距;PC3
80					
81	057-015		12	MLC. CHIP CAPACITOR 27P/50V	PC1(6) $\times$ 2 SIZE 0603
82	057-020		4	MLC. CHIP CAPACITOR 68P/50V	PC1(2) $\times$ 2 SIZE 0603
83	057-022		2	MLC. CHIP CAPACITOR 100P/50V	PC1(1) $\times$ 2 SIZE 0603
84	057-028		4	MLC. CHIP CAPACITOR 330P/50V	PC1(2) $\times$ 2 SIZE 0603
85	057-030		8	MLC. CHIP CAPACITOR 470P/50V	PC1(4) $\times$ 2 SIZE 0603
86	057-033		2	MLC. CHIP CAPACITOR 820P/50V	PC1(1) $\times$ 2 SIZE 0603
87					
88	057-034		6	MLC. CHIP CAPACITOR 0.001 $\mu$ /50V	PC1(3) $\times$ 2 SIZE 0603
89	057-036		4	MLC. CHIP CAPACITOR 0.0015 $\mu$ /50V	PC1(2) $\times$ 2 SIZE 0603
90	057-039		4	MLC. CHIP CAPACITOR 0.0027 $\mu$ /50V	PC1(2) $\times$ 2 SIZE 0603
91	057-044		2	MLC. CHIP CAPACITOR 0.0068 $\mu$ /50V	PC1(1) $\times$ 2 SIZE 0603
92	057-046		4	MLC. CHIP CAPACITOR 0.01 $\mu$ /50V	PC1(2) $\times$ 2 SIZE 0603
93	057-048		2	MLC. CHIP CAPACITOR 0.015 $\mu$ /50V	PC1(1) $\times$ 2 SIZE 0603
94					
95	057-054		2	MLC. CHIP CAPACITOR 0.047 $\mu$ /50V	PC1(1) $\times$ 2 SIZE 0603
96	057-058		102	MLC. CHIP CAPACITOR 0.1 $\mu$ /50V	PC1(51) $\times$ 2 SIZE 0603
97	057-062		2	MLC. CHIP CAPACITOR 0.22 $\mu$ /25V	PC1(1) $\times$ 2 SIZE 0603
98	057-064		2	MLC. CHIP CAPACITOR 0.33 $\mu$ /25V	PC1(1) $\times$ 2 SIZE 0603
99	057-101		2	MLC. CHIP CAPACITOR 1 $\mu$ /10V	PC1(1) $\times$ 2 SIZE 0603
100					

GEMINI  
MP-3000X DA PARTS LIST:

PARTS LIST		(MODEL NO.)		(ORIGINAL MODEL)	
ITEM	PART NUMBER	REV.	Q'ty	ENGLISH NAME	WHERE USED & REMARK
101	054-017T		2	POLYESTER CAPACITOR 0.022 $\mu$ /50V	腳距 5mm;PC2
102	054-026T		5	POLYESTER CAPACITOR 0.1 $\mu$ /50V	腳距 5mm;PC2
103	054-032T		2	POLYESTER CAPACITOR 0.33 $\mu$ /50V	腳距 5mm;PC2
104					
105	073-504		2	RESISTOR NETWORKS 6P 5R 10K $\Omega$	欣統RAA06103J;PC1(1) $\times$ 2
106					
107	064-018		4	1/8 W CHIP RESISTORS 10 $\Omega$	PC1(2) $\times$ 2 SIZE 0805
108	064-026		2	1/8 W CHIP RESISTORS 22 $\Omega$	PC1(1) $\times$ 2 SIZE 0805
109	064-119		2	1/8 W CHIP RESISTORS 100K $\Omega$	PC1(1) $\times$ 2 SIZE 0805
110					
111	065-038		2	1/10 W CHIP RESISTORS 68 $\Omega$	PC1(1) $\times$ 2 SIZE 0603
112	065-042		16	1/10 W CHIP RESISTORS 100 $\Omega$	PC1(8) $\times$ 2 SIZE 0603
113	065-050		4	1/10 W CHIP RESISTORS 220 $\Omega$	PC1(2) $\times$ 2 SIZE 0603
114	065-054		36	1/10 W CHIP RESISTORS 330 $\Omega$	PC1(18) $\times$ 2 SIZE 0603
115	065-058		2	1/10 W CHIP RESISTORS 470 $\Omega$	PC1(1) $\times$ 2 SIZE 0603
116	065-060		2	1/10 W CHIP RESISTORS 560 $\Omega$	PC1(1) $\times$ 2 SIZE 0603
117					
118	065-071		2	1/10 W CHIP RESISTORS 1K $\Omega$	PC1(1) $\times$ 2 SIZE 0603
119	065-079		8	1/10 W CHIP RESISTORS 2.2K $\Omega$	PC1(4) $\times$ 2 SIZE 0603
120	065-081		2	1/10 W CHIP RESISTORS 2.7K $\Omega$	PC1(1) $\times$ 2 SIZE 0603
121	065-083		10	1/10 W CHIP RESISTORS 3.3K $\Omega$	PC1(5) $\times$ 2 SIZE 0603
122	065-087		8	1/10 W CHIP RESISTORS 4.7K $\Omega$	PC1(4) $\times$ 2 SIZE 0603
123	065-088		6	1/10 W CHIP RESISTORS 5.1K $\Omega$	PC1(3) $\times$ 2 SIZE 0603
124	065-089		4	1/10 W CHIP RESISTORS 5.6K $\Omega$	PC1(2) $\times$ 2 SIZE 0603
125					

GEMINI  
MP-3000X DA PARTS LIST:

PARTS LIST		(MODEL NO.)		(ORIGINAL MODEL)	
ITEM	PART NUMBER	REV.	Q'ty	ENGLISH NAME	WHERE USED & REMARK
126	065-095		18	1/10 W CHIP RESISTORS 10KΩ	PC1(9)×2 SIZE 0603
127	065-099		6	1/10 W CHIP RESISTORS 15KΩ	PC1(3)×2 SIZE 0603
128	065-102		4	1/10 W CHIP RESISTORS 20KΩ	PC1(2)×2 SIZE 0603
129	065-103		2	1/10 W CHIP RESISTORS 22KΩ	PC1(1)×2 SIZE 0603
130	065-107		4	1/10 W CHIP RESISTORS 33KΩ	PC1(2)×2 SIZE 0603
131	065-112		2	1/10 W CHIP RESISTORS 51KΩ	PC1(1)×2 SIZE 0603
132					
133	065-119		6	1/10 W CHIP RESISTORS 100KΩ	PC1(3)×2 SIZE 0603
134	065-126		2	1/10 W CHIP RESISTORS 200KΩ	PC1(1)×2 SIZE 0603
135	065-137		2	1/10 W CHIP RESISTORS 560KΩ	PC1(1)×2 SIZE 0603
136	065-141		2	1/10 W CHIP RESISTORS 820KΩ	PC1(1)×2 SIZE 0603
137					
138	065-151		4	1/10 W CHIP RESISTORS 1MΩ	PC1(2)×2 SIZE 0603
139	065-159		2	1/10 W CHIP RESISTORS 2.2MΩ	PC1(1)×2 SIZE 0603
140					
141	066-544		2	1/8 W CARBON FILM RESISTOR S 120Ω	PC2
142	066-551		1	1/8 W CARBON FILM RESISTOR S 240Ω	PC2
143	066-566		2	1/8 W CARBON FILM RESISTOR S 0Ω	PC1(1)×2
144					
145	066-602		2	1/8 W CARBON FILM RESISTOR S 20KΩ	PC1(1)×2
146	066-663		1	1/8 W CARBON FILM RESISTOR S 3.3MΩ	PC2
147					
148	060-702		1	JUMP WIRE "□" TYPE 0.5φ P=5mm T/52mm	PC2
149	060-702		2	JUMP WIRE "□" TYPE 0.5φ P=6mm T/52mm	PC2
150					

GEMINI  
MP-3000X DA PARTS LIST:

PARTS LIST		(MODEL NO.)		(ORIGINAL MODEL)	
ITEM	PART NUMBER	REV.	Q'ty	ENGLISH NAME	WHERE USED & REMARK
151	060-702		4	JUMP WIRE "□" TYPE 0.5φ P=7.5mm T/52mm	PC2
152	060-702		2	JUMP WIRE "□" TYPE 0.5φ P=15mm T/52mm	PC2
153					
154	092-150A		2	16P(P=1mm) CONNECTOR WAFER (FFC NONZIF BOTHSIDE CONTACT)	PC1(1)×2 旻成 X1
155	092-151A		2	5P(P=2mm) CONNECTOR WAFER (PH TYPE) JWT A2001 5P	PC1(1)×2 旻成 X7
156	092-152A		2	6P(P=2mm) CONNECTOR WAFER (PH TYPE) JWT A2001 6P	PC1(1)×2 旻成 X2
157					
158	092-083A		2	3P(P=3.96mm) CONNECTOR WAFER (VH TYPE)	PC2 X5,X9 (中間腳空著)
159	092-026A		2	3P CONNECTOR BASE B3B-XH-A 180°	PC1(1)×2 X6
160	092-027A		1	6P CONNECTOR BASE B6B-XH-A 180°	PC2 X1
161	092-038A		2	10P CONNECTOR BASE B10B-XH-A 180°	PC1(1)×2 X4
162					
163	094-204		2	16P FLAT CABLE 110mm P=1mm	SONY CHEMICALS
164					
165	091-482A		1	3P CONNECTOR WITH WIRE VH-3P 220mm 單頭	AC INLET→PC2 (棕空藍)
166	091-483A		1	3P CONNECTOR WITH WIRE VH-3P 170mm 單頭	PC2→PC3→PT (BLK) (棕空紅)
167	091-522A		1	3P CONNECTOR WITH WIRE XH-3P 390mm 雙頭	L PC1 X5→PC4 X1
168	091-460A		1	3P CONNECTOR WITH WIRE XH-3P 250mm 雙頭	R PC1 X5→PC4 X2
169	091-523A		2	10P CONNECTOR WITH WIRE XH-10P 170mm 雙頭	PC2 X4→L PC1 X4,PC2 X5→R PC1 X4
170	091-525A		2	5P CONNECTOR WITH WIRE PH-5P 180mm 雙頭	PC1 X7→CD LOADER
171	091-527A		2	6P CONNECTOR WITH WIRE PH-6P 160mm 雙頭	PC1 X2→CD LOADER
172					
173	201-099		1	LEAD WIRE (BROWN) UL1617 AWG22 6×9 260mm	PWR SW~110/220V
174					
175	093-421		1	GROUND WIRE WITH RING TONGUE (BLACK) 210mm	(UL1015 AWG20 剝皮6mm);PC2 CHASSIS GND



PART NUMBER	Comment	Pattern	Quantity	Components
161-173		RCA2A	1	J2
092-038A		X10	1	X4
066-566	0	R7.5	1	R78
057-062	0.22uF	0603	1	C187
064-018	10	0805	2	R18, R20
050-115T	10/6.3	EC5	6	C6, C7, C172, C173, C174, C175
050-174T	100/10	EC5	2	C114, C118
050-174T	100/6.3	EC5	14	C8, C20, C30, C43, C45, C50, C52, C55, C119, C120, C123, C124, C164, C193
057-034	1000pF	0603	1	C160
065-119	100K	0603	3	R11, R48, R84
064-119	100K	0805	1	R47
057-022	100pF	0603	1	C146
050-174T	100uF	EC5	4	C42, C70, C72, C115
065-042	101	0603	8	R9, R55, R56, R57, R58, R97, R98, R99
057-034	102	0603	2	C182, C183
057-046	103	0603	2	C33, C128
057-058	104	0603	51	C133, C2, C3, C9, C10, C11, C12, C13, C14, C15, C16, C17, C18, C19, C21, C22, C23, C24, C25, C28, C32, C34, C37, C39, C40, C44, C60, C64, C65, C84, C91, C92, C94, C95, C99, C100, C125, C134, C165, C167, C168, C169, C185, C189, C190, C192, C194, C200, C201, C202, C203
065-095	10K	0603	9	R1, R3, R16, R61, R95, R105, R106, R110, R129
073-504	10K	PR5	1	R126
147-026	10uH	R7.5	6	L2, L3, L4, L5, L6, L10
057-036	152	0603	2	C35, C145
057-048	153	0603	1	C27
065-099	15K	0603	3	R113, R114, R148
058-021	16,9344MHz	CRYSTAL	1	CR2
065-071	1K	0603	1	R64

065-151	1M	0603	2	R19, R25
079-027	1N4002	DIODE10	1	D4
079-003	1N4148	DIODE6	6	D1,D5, D6, D9, D10, D12
057-101	1uF	0603	1	C137
051-002T	2	CAP	1	C48
065-126	200K	0603	1	R10
065-102	20K	0603	2	R12, R13
066-602	20K	R6	1	R88
058-024	20MHz	CRYSTAL	1	CR1
064-026	22	0805	1	R14
050-111T	22/25	EC5	1	C47
050-146T	220/6.3	EC7	1	C184
065-050	221	0603	2	R139, R140
065-103	22K	0603	1	R89
057-015	27	0603	6	C4, C36, C38, C41, C53, C54
057-039	272	0603	2	C180, C181
065-079	2K2	0603	4	R141, R142, R143, R144
065-081	2K7	0603	1	R22
065-159	2M2	0603	1	R146
076-104	2SA1317	TO-92	1	Q10
076-137	2SB731	TO-92	1	Q1
076-095	2SC2878	TO-92	3	Q2, Q8, Q9
076-003	2SC536	TO-92	1	Q4
147-028	3.3uH	R7.5	2	L8, L9
057-028	331	0603	2	C178, C179
065-054	331	0603	18	R4, R5, R6, R7, R29, R32, R33, R35, R36, R39, R40, R41, R42, R43, R45, R46, R49, R76
057-064	334	0603	1	C5
065-107	33K	0603	2	R26, R112
065-083	3K3	0603	5	R77, R101, R102, R103, R104
050-203T	4.7/10	EC5	1	C26
074-104S	4558LD	SIP8	1	IC12
050-166T	47/16	EC5	1	C83



050-166T	47/6.3	EC5	4	C1, C29, C66, C67
050-147	470/16	EC5	1	C171
057-030	471	0603	4	C148, C149, C150, C151
065-058	471	0603	1	R147
057-054	473	0603	1	C147
065-087	4K7	0603	4	R2, R15, R30, R96
065-112	51K	0603	1	R125
065-060	560	0603	1	R21
065-137	560K	0603	1	R145
065-088	5K1	0603	3	R8, R54, R59
065-089	5K6	0603	2	R137, R138
065-038	68	0603	1	R17
057-044	682	0603	1	C142
057-020	68pF	0603	2	C110,C46,
057-033	820	0603	1	C31
065-141	820K	0603	1	R82
074-181	BA6218	SIP9	1	IC9
074-182A	BA6392FP1	BA6392FP	1	IC2
074-200	CS8405A	SOL-28	1	IC3
074-201	CXA2581N	SSO-30/X.35	1	IC1
074-192	CXD3068Q	CXD2585Q	1	IC8
074-202	K4S640832D	SO-G54/X.5	1	U2
074-203	MLC3100A	SQFP12X12-80	1	D2
074-194	MM74HCT00	SO14	1	U1
074-184	PCM1717E	PCM1717	1	IC6
092-161	PLUG03	BNC2	1	X3
092-026A	PLUG03	X3	1	X6
092-151A	PLUG05	X2MM-5	1	X7
092-152A	PLUG06	X2MM-6	1	X2
092-150A	SOCKET16	FPC-16	1	X1
074-206	TMP93CS32F	CS32DS	1	IC11

MP3000-2.PCB  
On 4-Dec-2002 at 08:42:10 AM

<u>PART NUMBER</u>	<u>Comment</u>	<u>Pattern</u>	<u>Quantity</u>	<u>Components</u>
091-523A		X10	2	X4, X5
055-062	0.1K/250V	CAP14.5	1	C17
060-702	0.5-15	JP15	2	JP3, JP9
060-702	0.5-5	JP5	1	JP5
060-702	0.5-6	JP6	2	JP4, JP7
060-702	0.5-7.5	JP7.5	4	JP1, JP2, JP6, JP8
060-702	0.5-7.5	R7.5	2	L1, L2
050-029T	10/16	EC5	4	C6, C19, C25, C26
050-195	10000/16	EC16	1	C4
054-026T	104	CAP	5	C5, C9, C11, C15, C20
066-544	120	R6	2	R1, R4
079-027	1N4002	DIODE10	6	D1, D2, D3, D4, D5, D6
050-082	2200/16	EC14	1	C18
054-017T	223	CAP	2	C2, C3
066-551	240	R6	1	R5
054-032T	334	CAP	2	C13, C14
066-663	3M3	R10	1	R2
050-194	4700/16	EC16	1	C10
066-560	560	R7.5	1	R3
074-074	7805	TO-220	1	IC3
074-185	79L05	TO-92	1	IC2
093-421	CHASSIS	X1	1	X7
092-147	DTN	MINI_DIN	1	X10
074-186	M317	TO-220	2	IC1, IC4
055-062	0.1K/250V	CAP14.5	1	C7
092-027A	PLUG06	X6	1	X1
092-083A	TO AC CORD	0.156"-2	1	X2
092-083A	TO TRANSF.	0.156"-2	1	X6
059-236	UH962021	EMC1	1	EMC1

MP3000-3,-4.PCB  
On 4-Dec-2002 at 08:42:10 AM

PART NUMBER	Comment	Pattern	Quantity	Components
054-026T	0.1uF	CAP	2	C20, C21
060-702	0.5-5	JP5	2	3, 4
060-702	0.5-7.5	JP7.5	2	1, 2
083-065F	083-061	WP001	1	SW1
060-242	100	R10	2	R1, R2
050-174T	100uF	EC5	1	C19
051-156	472/400V	CAP10	1	C01
074-074	7805	TO-220	1	DD5
092-147	DTN	MINI_DIN	1	X3
092-148	PLUG08	X8	1	X6
091-521A	SOCKET02	X2	1	X4
091-458A	SOCKET02	X2	1	X5

PART NUMBER	Comment	Pattern	Quantity	Components
		LED_SW	1	LP20
054-026T	0.1uF	0603	4	C1, C2, C3, C4
050-174T	100/10	EC5	3	C22, C23, C118
057-022	101	0603	2	C5, C6
057-058	104	0603	6	C10, C11, C12, C13, C14, C15
065-095	10K	0603	14	R50, R51, R52, R53, R54, R55, R56, R57, R58, R59, R60, R61, R62, R63
072-112 I	10KB	RS60112	2	VR1, VR2
082-050	16%	PB1_LED	2	S70, S94
065-071	1K	0603	6	R7, R8, R9, R10, R11, R12
065-151	1M	0603	1	R18
079-003	1N4148	DIODE6	3	D19, D22, D23
058-024	20MHz	CRYSTAL	1	CR1
064-050	221	0805	28	R20, R21, R30, R31, R32, R33, R34, R35, R36, R37, R38, R39, R40, R41, R42, R43, R44, R45, R46, R47, R48, R49, R64, R65, R66, R67, R68, R69
057-015	27	0603	2	C16, C17
076-095	2SC2878	TO-92	1	Q1
082-050	4%	PB1_LED	2	S72, S96
050-203T	4.7/10	EC5	1	C18
050-166T	47/10	EC5	2	C7, C8
050-166T	47/6.3	EC5	1	C9
065-135	470K	0603	2	R14, R15
065-087	4K7	0603	1	R19
065-088	5k1	0603	2	R16, R17
074-204	74ALS164	SO-14	1	DD4
082-050	8%	PB1_LED	2	S71, S95
082-042F	B EDIT	SW_5	2	S54, S78
	B EXIT	LED_SW	1	LP10
082-051	B/EXIT	PB1_LED	2	S61, S85

080-125	CUE	LED	4	LP1, LP11, LP21, LP24
082-042F	CUE	SW_5	2	S64, S88
079-003	DIODE	DIODE6	18	D1, D2, D3, D4, D5, D6, D7, D8, D9, D10, D11, D12, D13, D14, D15, D16, D17, D18
	FLY CUE	LED_SW	2	LP7, LP17
082-051	FLY CUE	PB1_LED	2	S60, S84
083-116	JOG/SHUTTLE 1	JOG/SHUTTLE	1	SW1
083-116	JOG/SHUTTLE 2	JOG/SHUTTLE	1	SW2
074-205	LC75824	LC75824E	2	DD1, DD2
001-083	LCD PANEL 1	LCD_DISPLAY	1	X2
001-083	LCD PANEL 2	LCD_DISPLAY	1	X1
080-119	MUSIC SRCH	LED	2	LP9, LP18
082-042F	OPEN/CLOSE	SW_5	2	S56, S80
080-125	PICH ON/OFF	LED	2	LP15, LP25
082-042F	PITCH	SW_5	2	S69, S93
	PITCH 16%	LED_SW	2	LP4, LP14
	PITCH 4%	LED_SW	2	LP2, LP12
	PITCH 8%	LED_SW	2	LP3, LP13
082-042F	PITCH BEND+	SW_5	2	S57, S81
082-042F	PITCH BEND-	SW_5	2	S58, S82
080-125	PITCH ON/OFF	LED	2	LP5, LP22
080-126	PLAY	LED	4	LP6, LP16, LP23, LP26
082-042F	PLAY/PAUSE	SW_5	2	S49, S73
082-042F	RETURN	SW_5	2	S62, S86
082-042F	ROBO START	SW_5	1	S66
080-126	ROBOSTART	LED	2	D26, D27
082-042F	SEARCH +	SW_5	2	S53, S77
082-042F	SEARCH -	SW_5	2	S52, S76
082-042F	SEARCH MODE	SW_5	2	S63, S87
082-042F	SINGLE AUTO CUE	SW_5	2	S68, S92
	SOCKET08	X8	1	X6
082-042F	STOP	SW_5	2	S67, S91
082-042F	TIME	SW_5	2	S65, S89

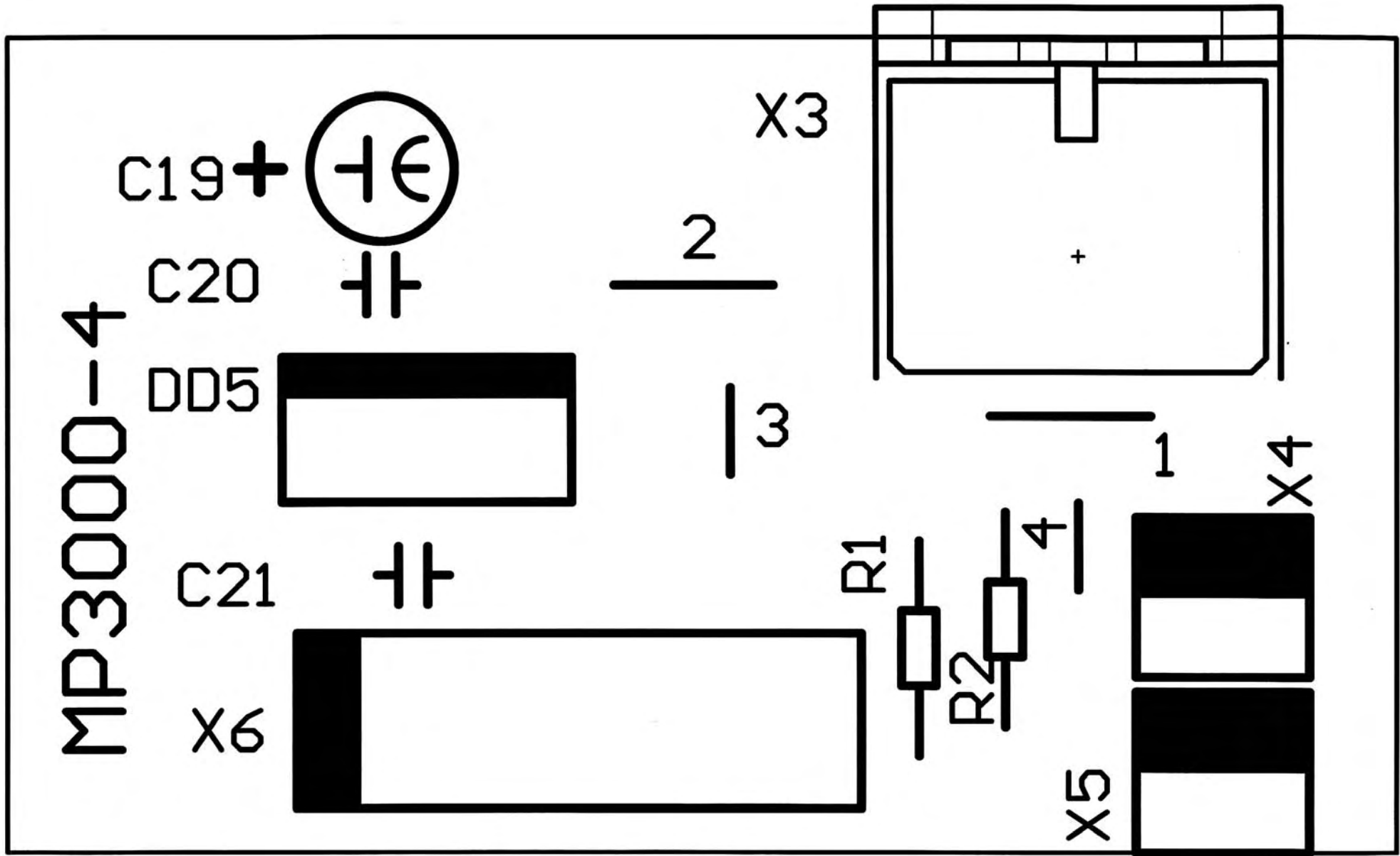
074-206	TMP93CS32	CS32DS	1	DD3
082-042F	TRACK SEARCH +	SW_5	2	S51, S75
082-042F	TRACK SEARCH -	SW_5	2	S50, S74
080-118	TRK SRCH	LED	2	LP8, LP19

MP3000-6.PCB  
On 4-Dec-2002 at 08:42:10 AM

<u>PART NUMBER</u>	<u>Comment</u>	<u>Pattern</u>	<u>Quantity</u>	<u>Components</u>
060-702		JP10	1	1
080-124		LED	3	LP1, LP2, LP3
092-044A	PLUG02	X2	1	X5

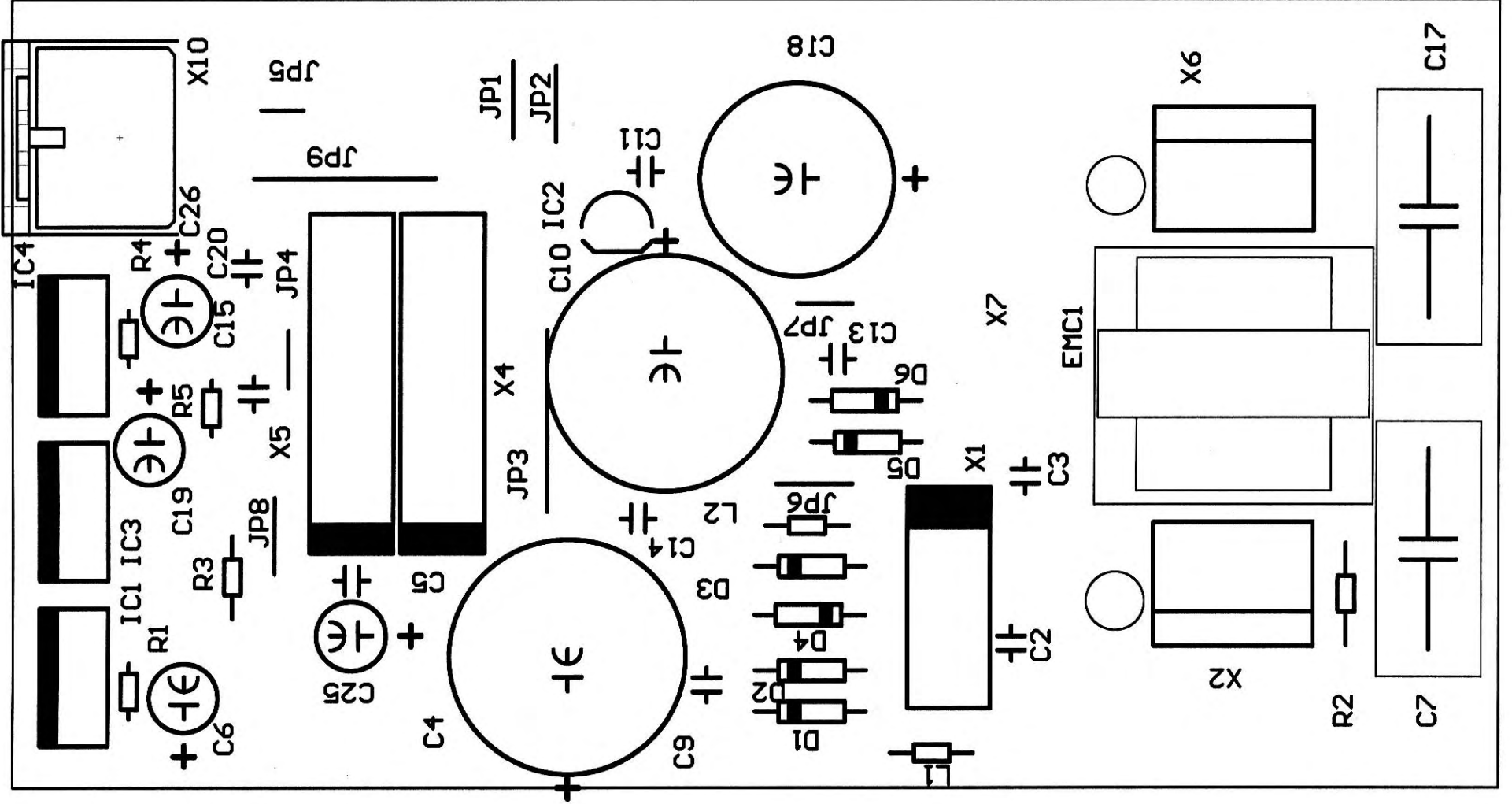
cd01-4.PCB

<u>PART NUMBER</u>	<u>Comment</u>	<u>Pattern</u>	<u>Quantity</u>	<u>Components</u>
081-042		PB1	2	SW1,SW2
080-118(RED)		LED	1	D1
091-522A		X3	1	X1
091-460A		X3	1	X2

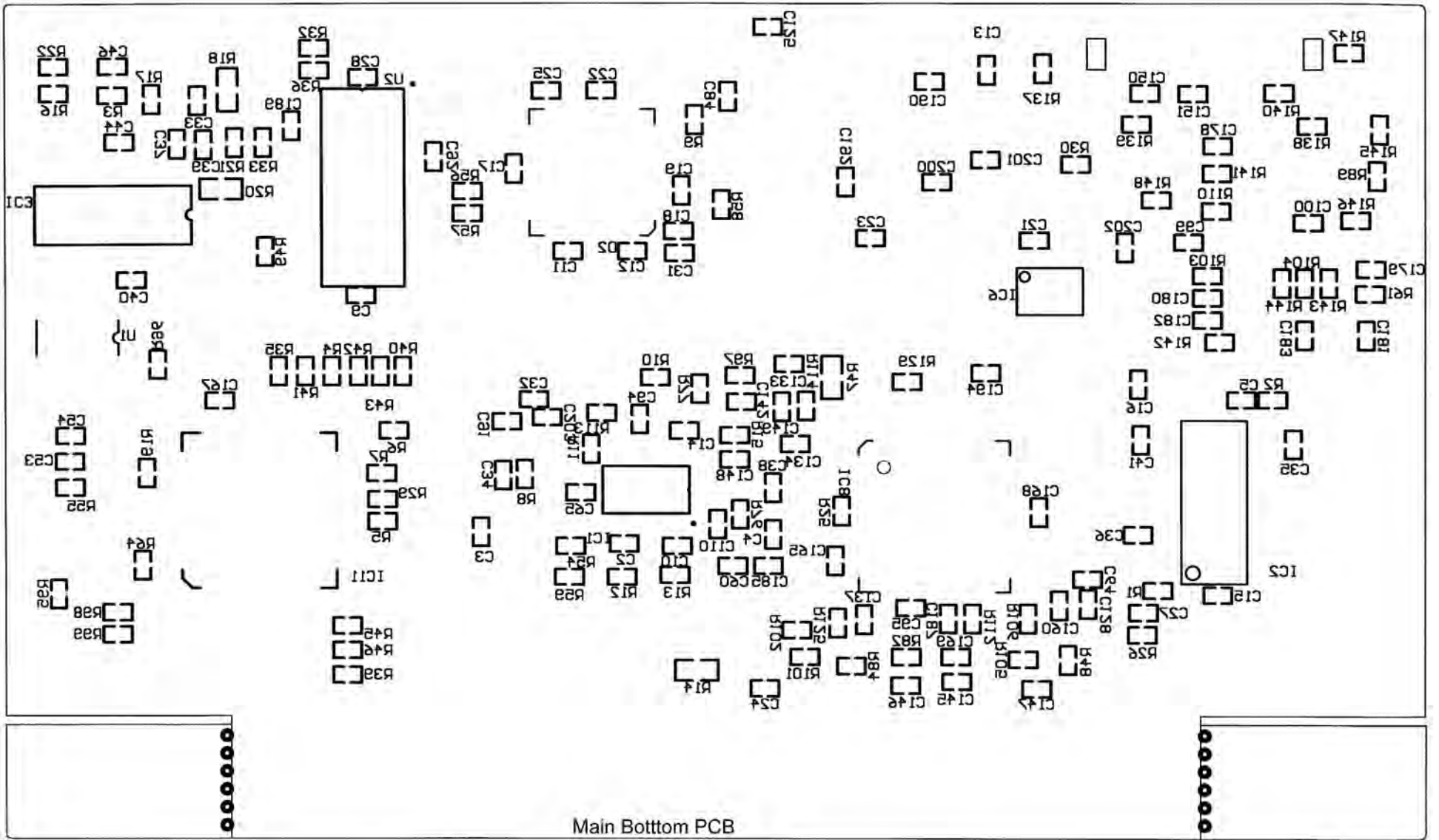


Din PCB

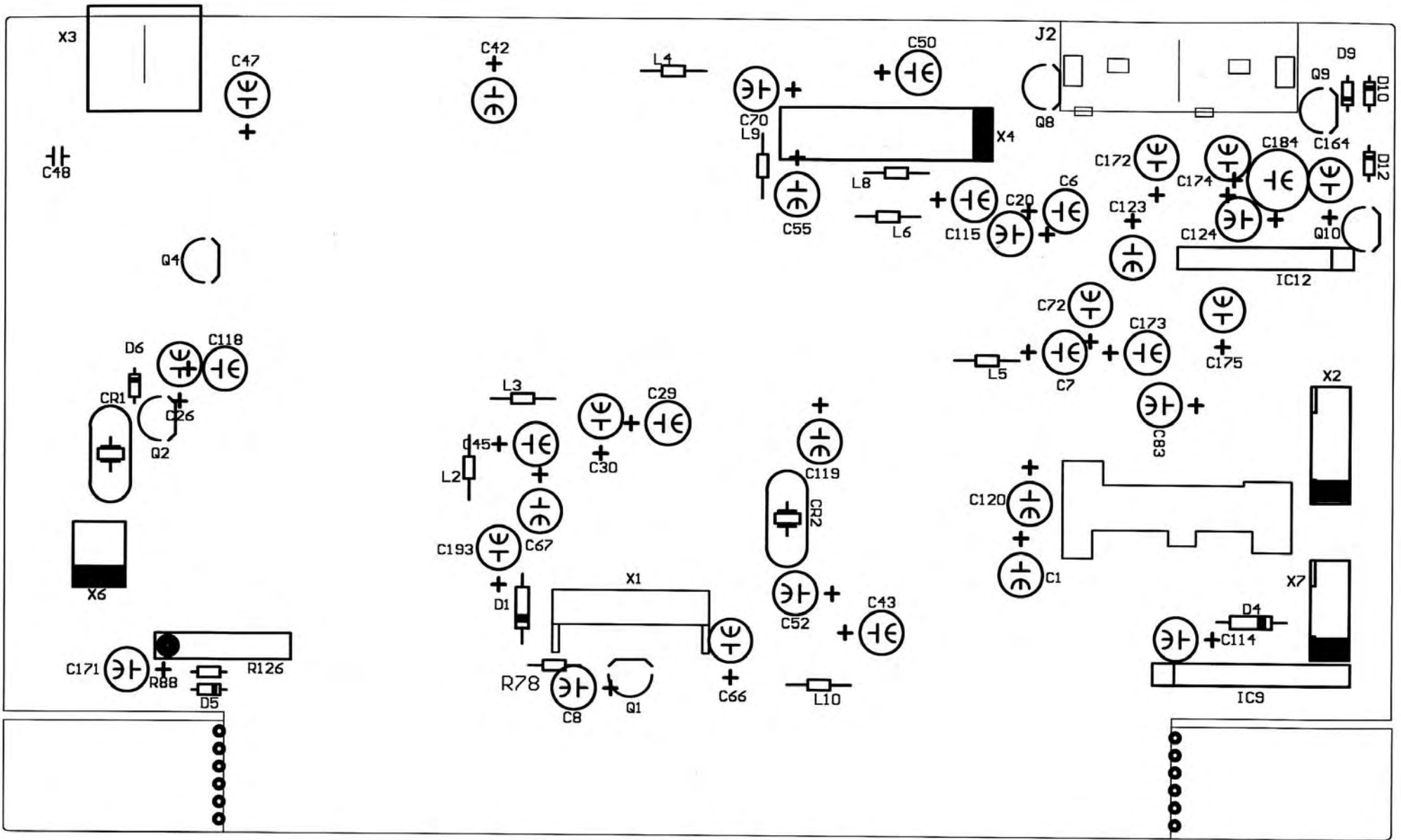
Power PCB





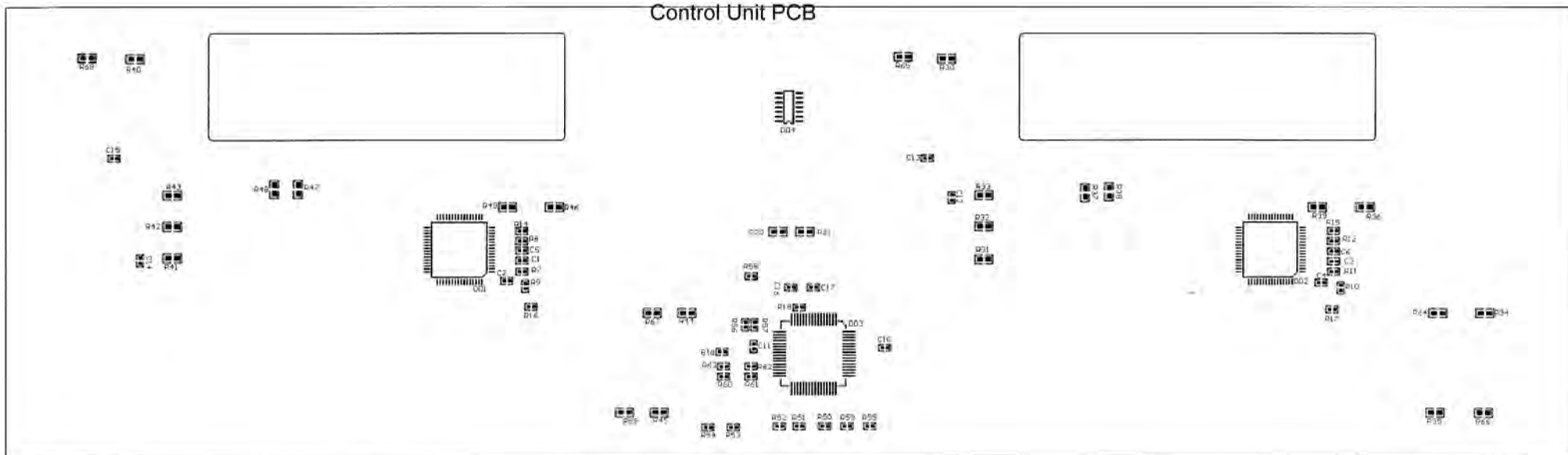


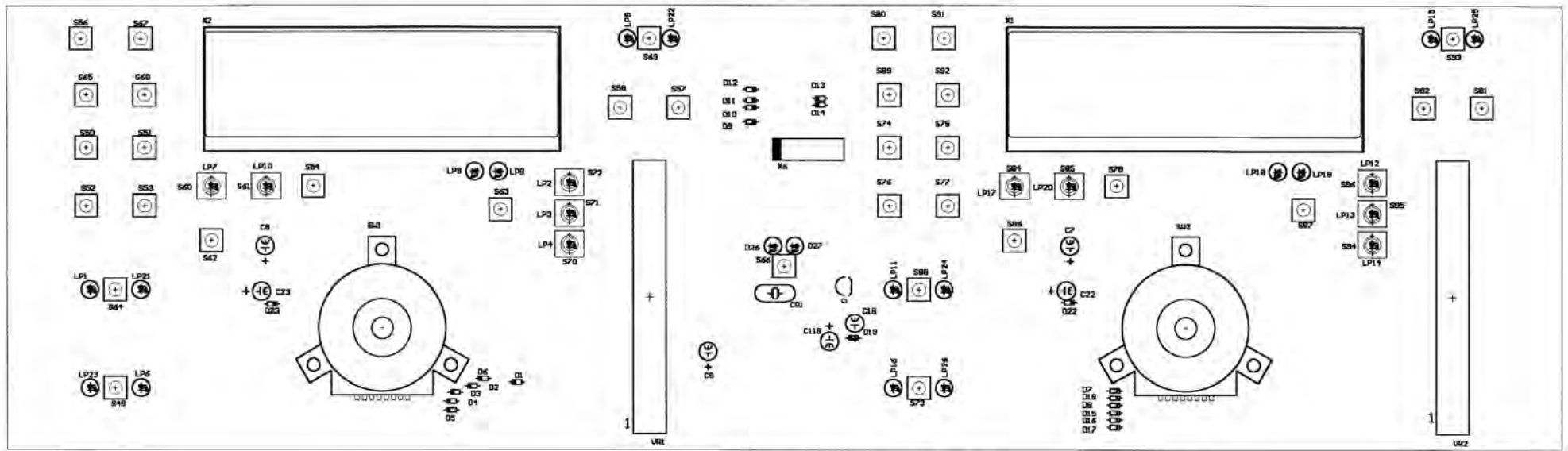
Main Bottom PCB



Main Top pcb

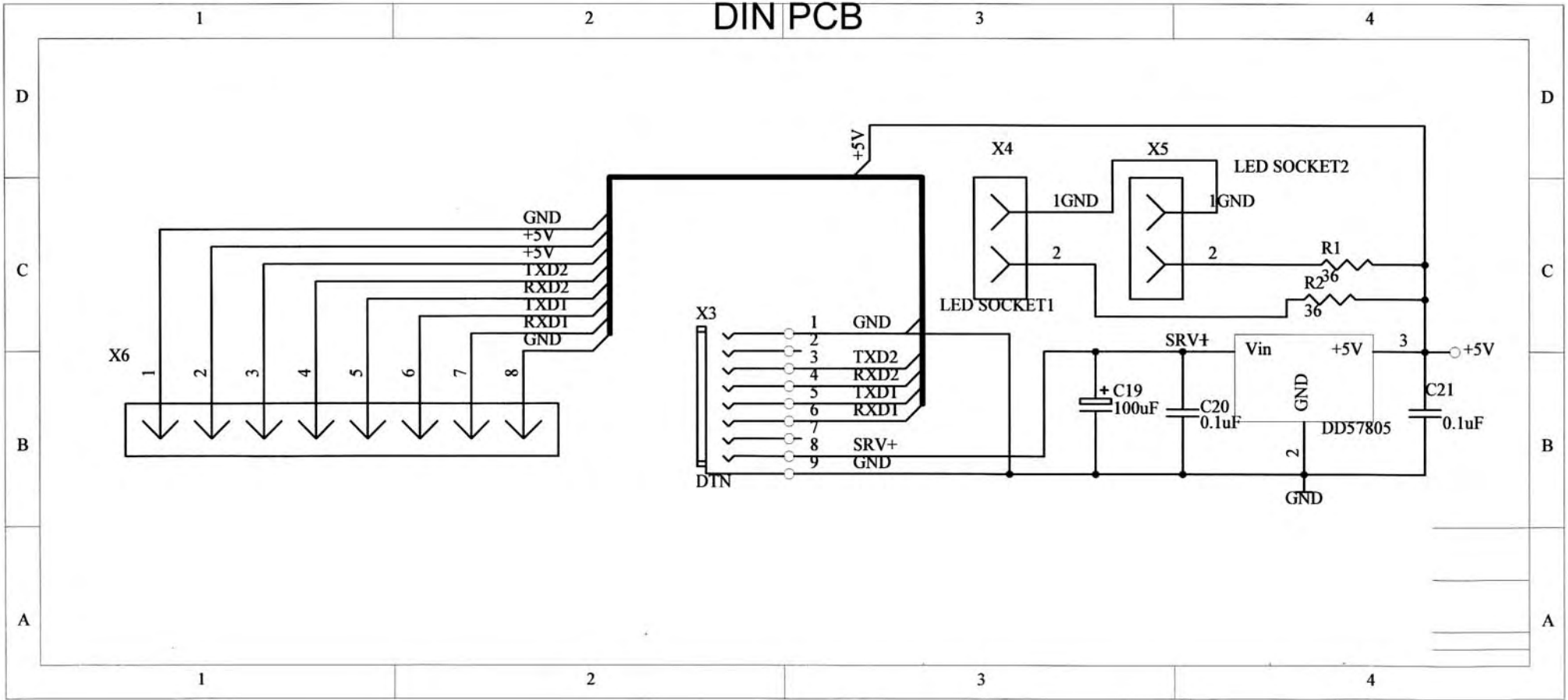
# Control Unit PCB



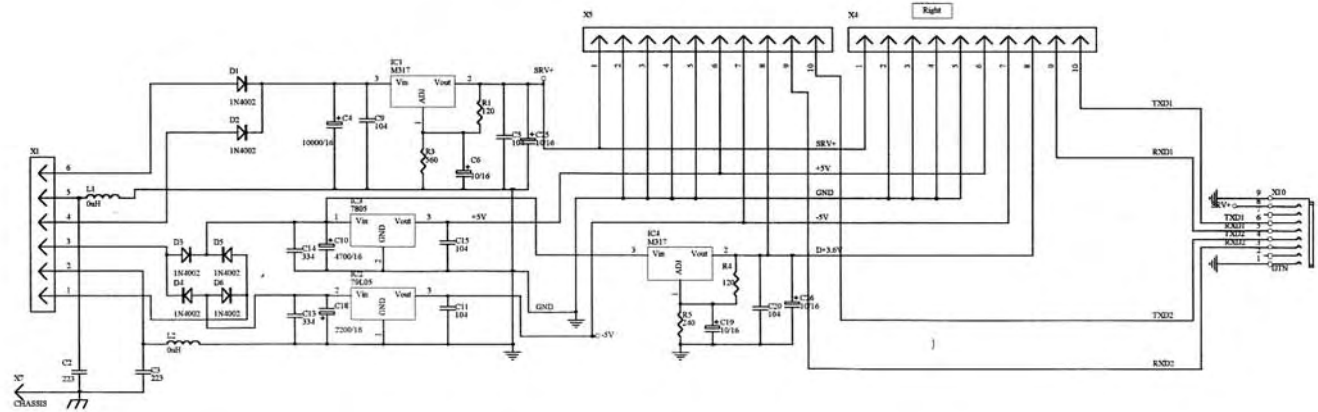
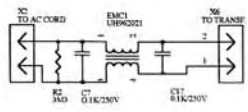


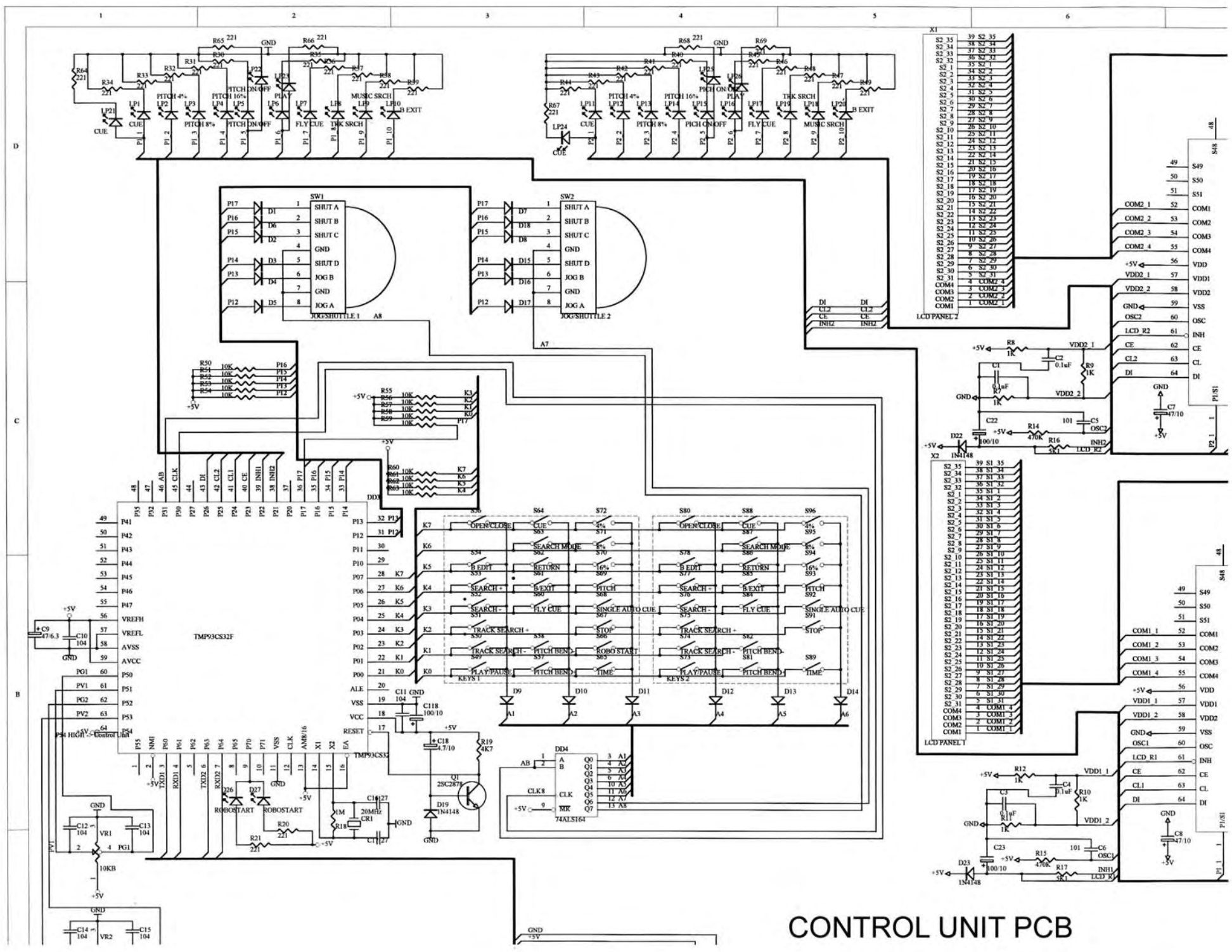
Control Unit Top PCB

# DIN PCB

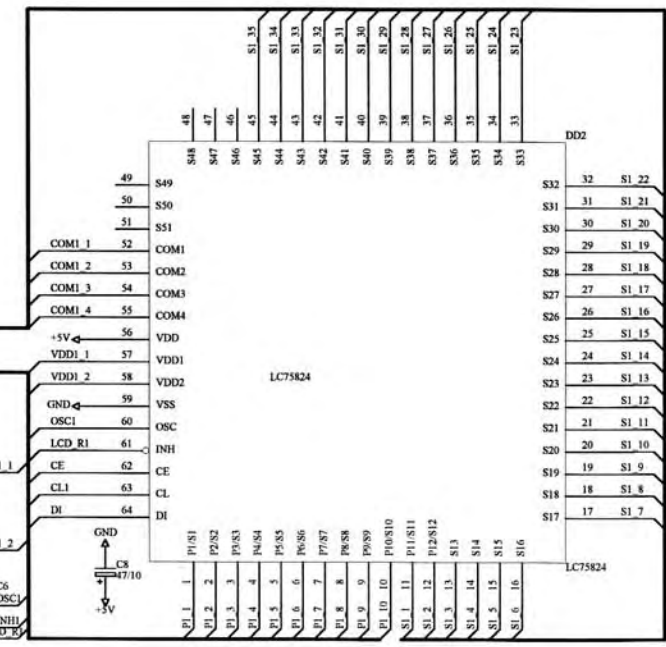
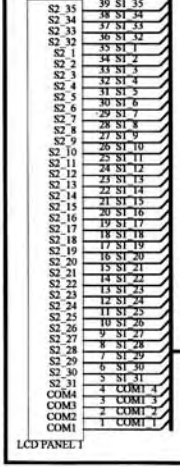
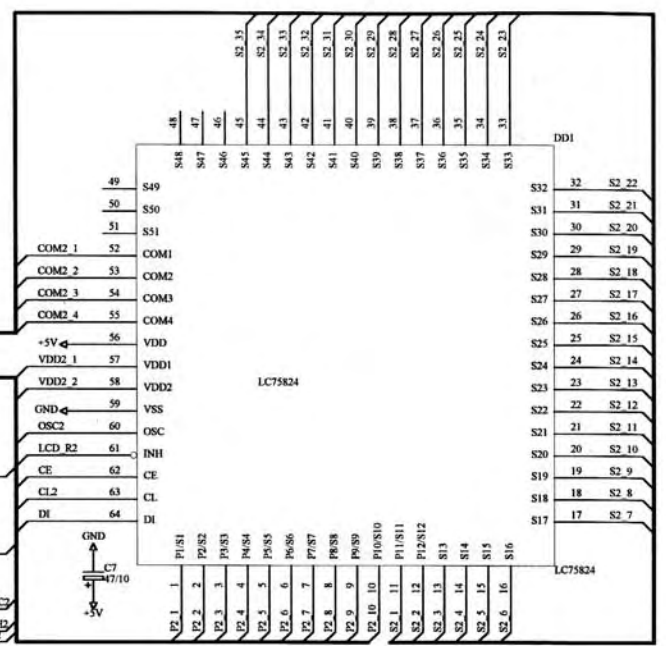
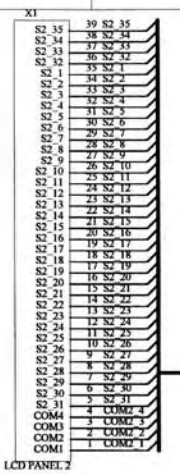
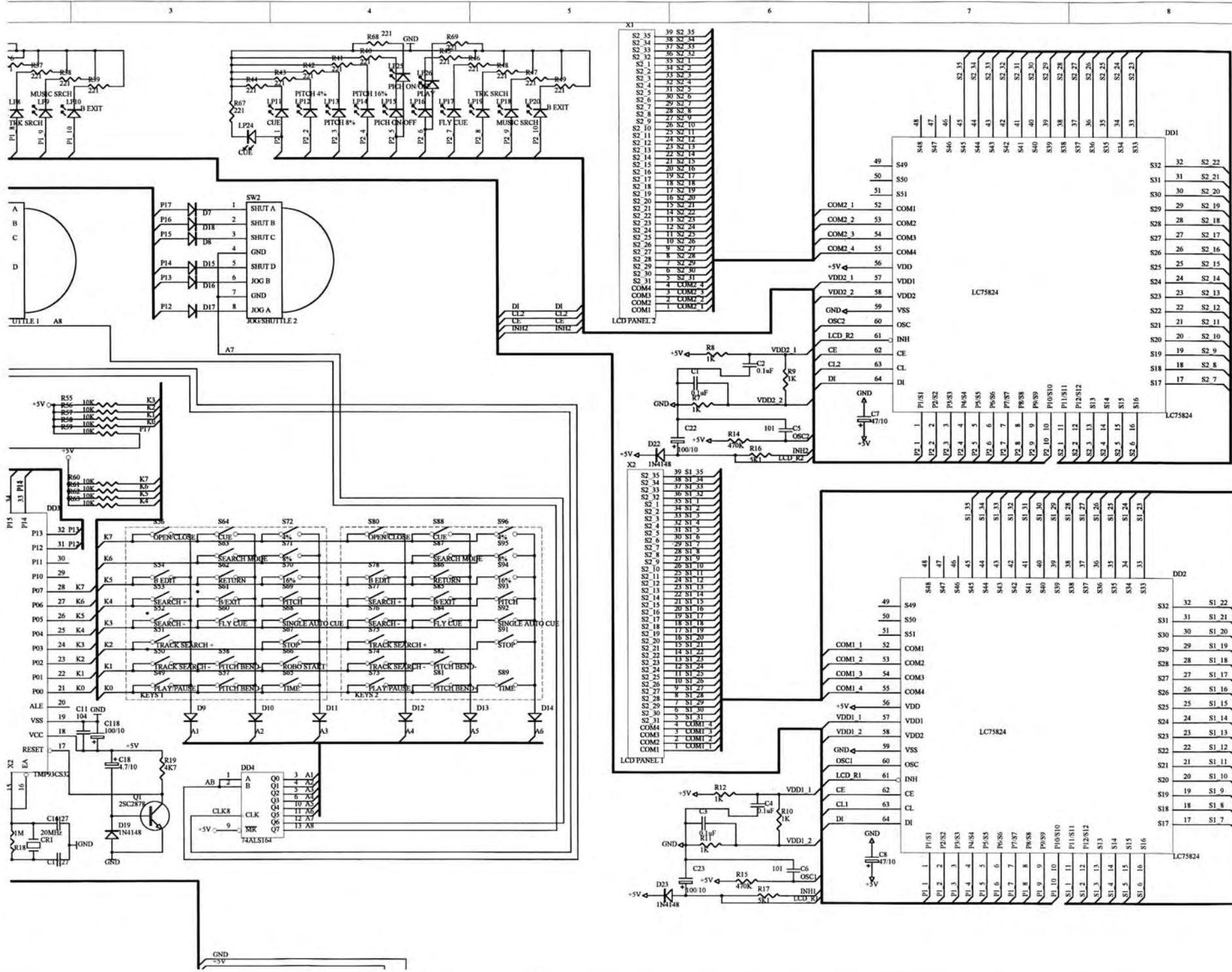


# POWER PCB

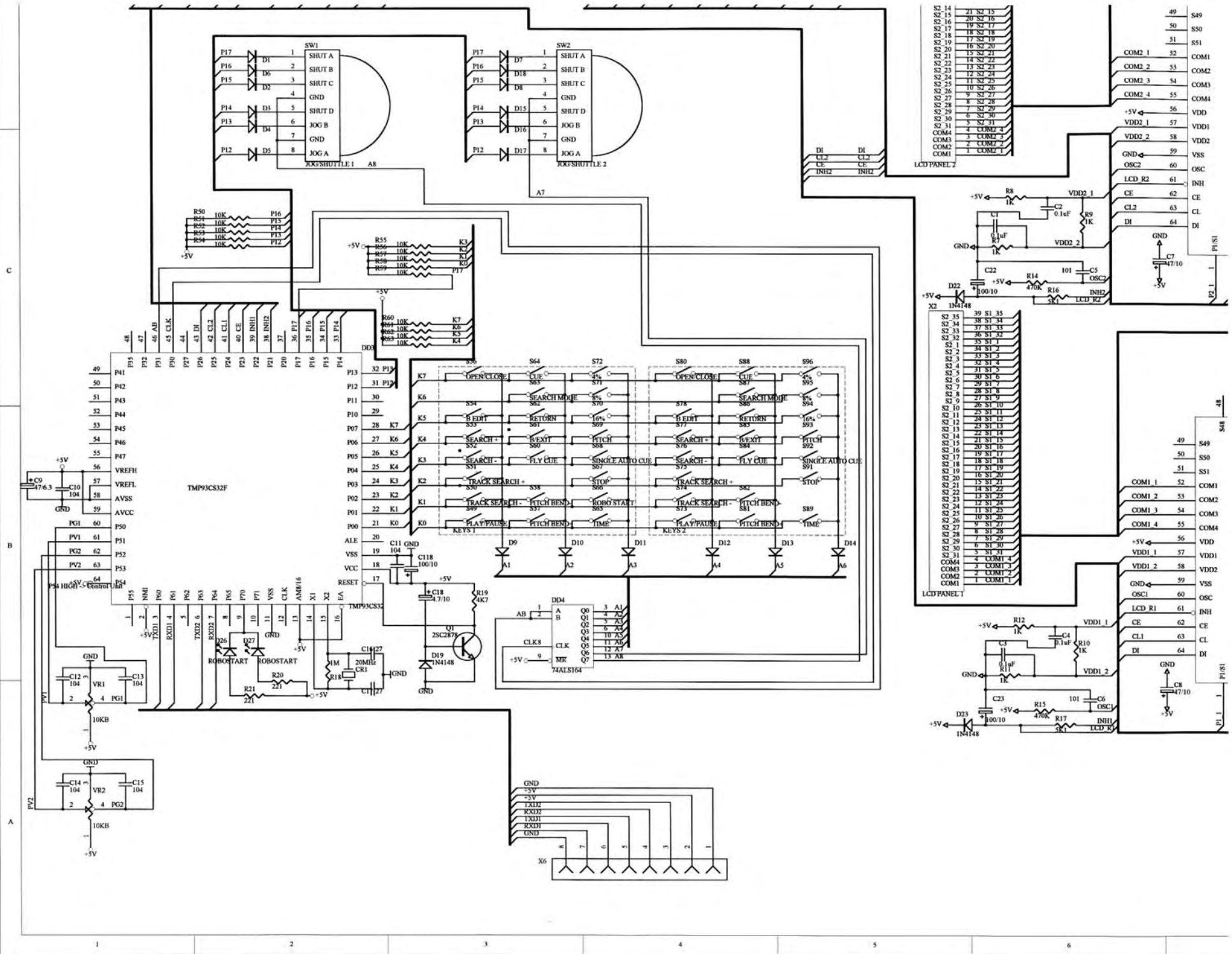




CONTROL UNIT PCB







C

B

A

1

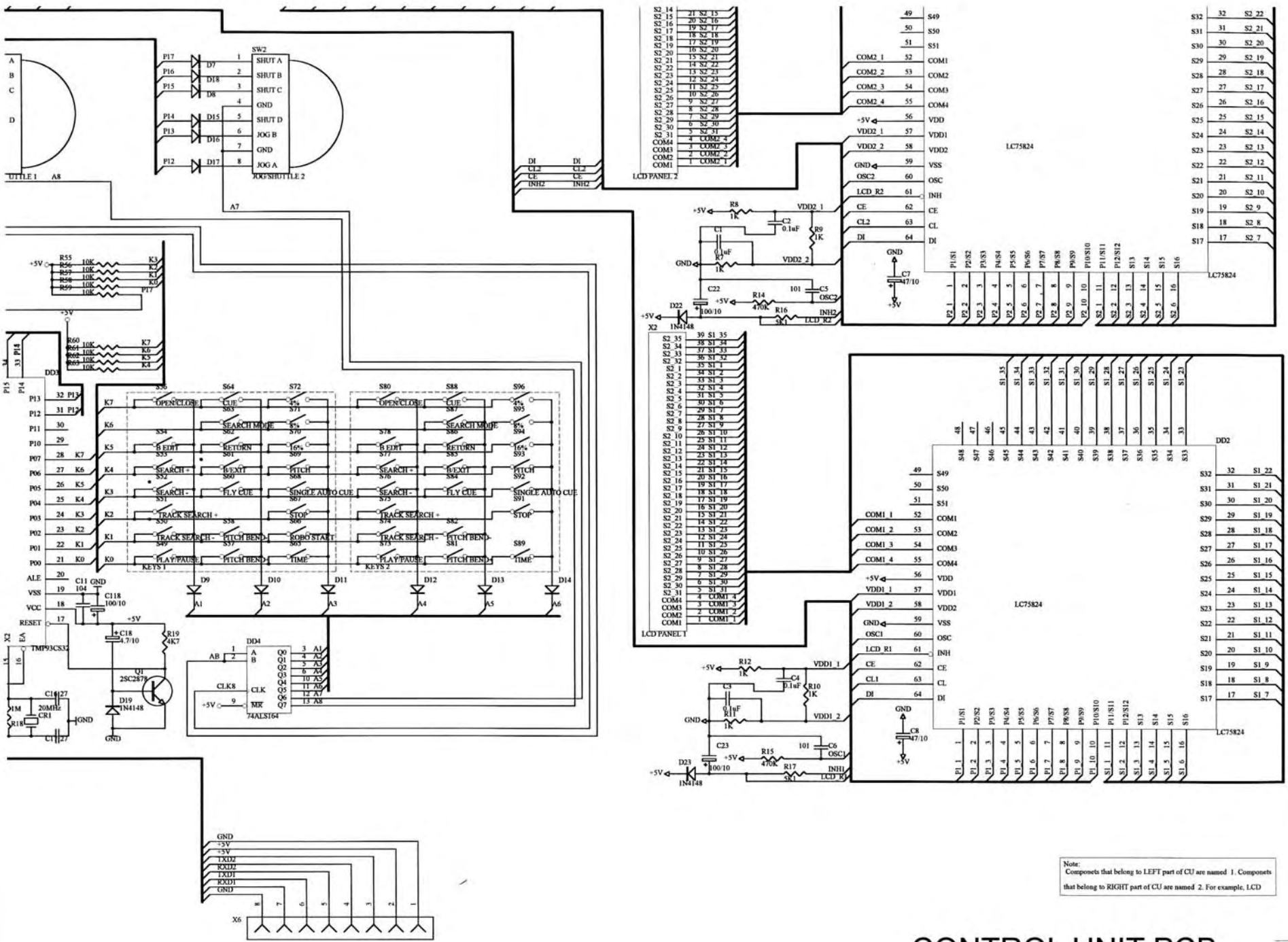
2

3

4

5

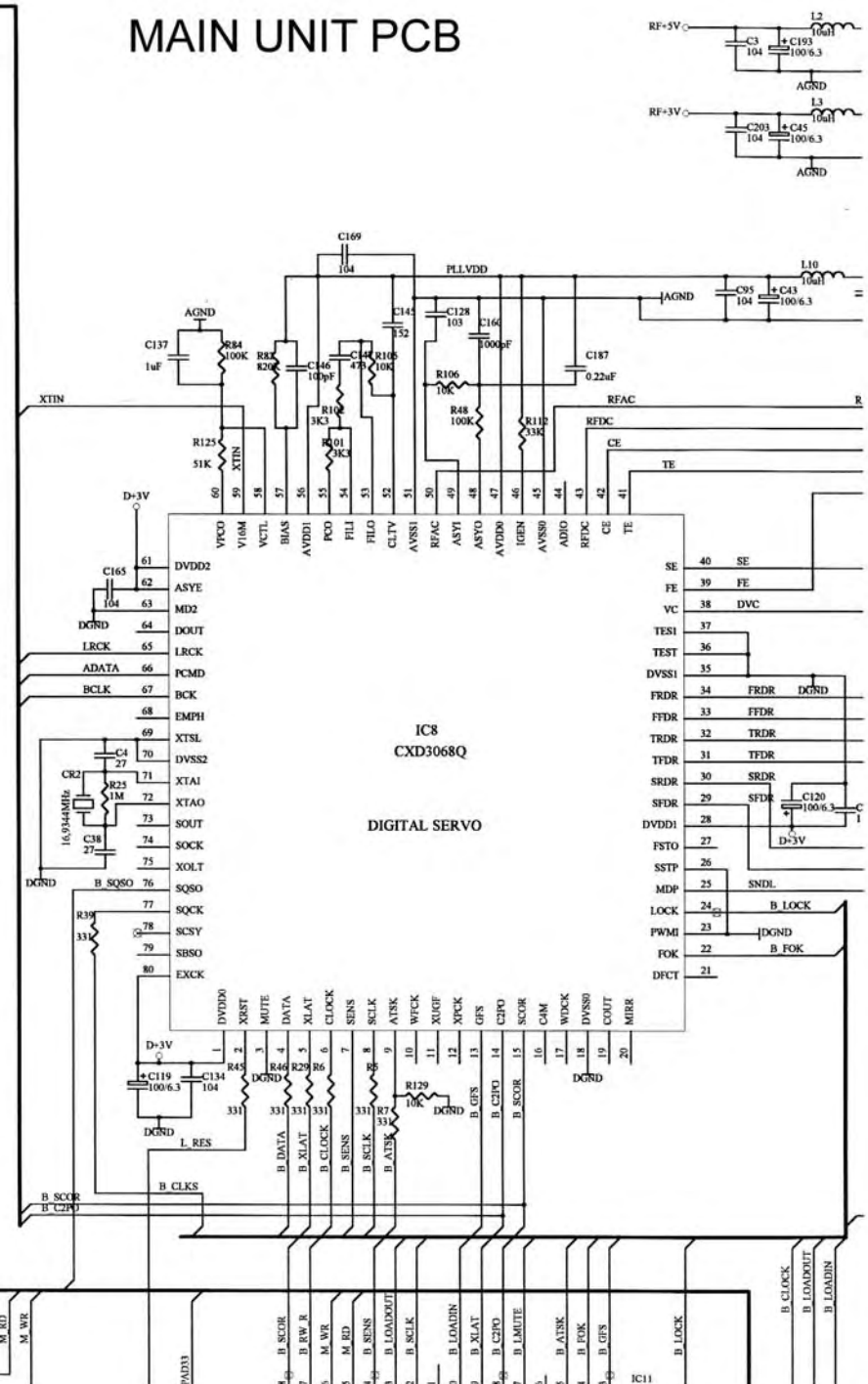
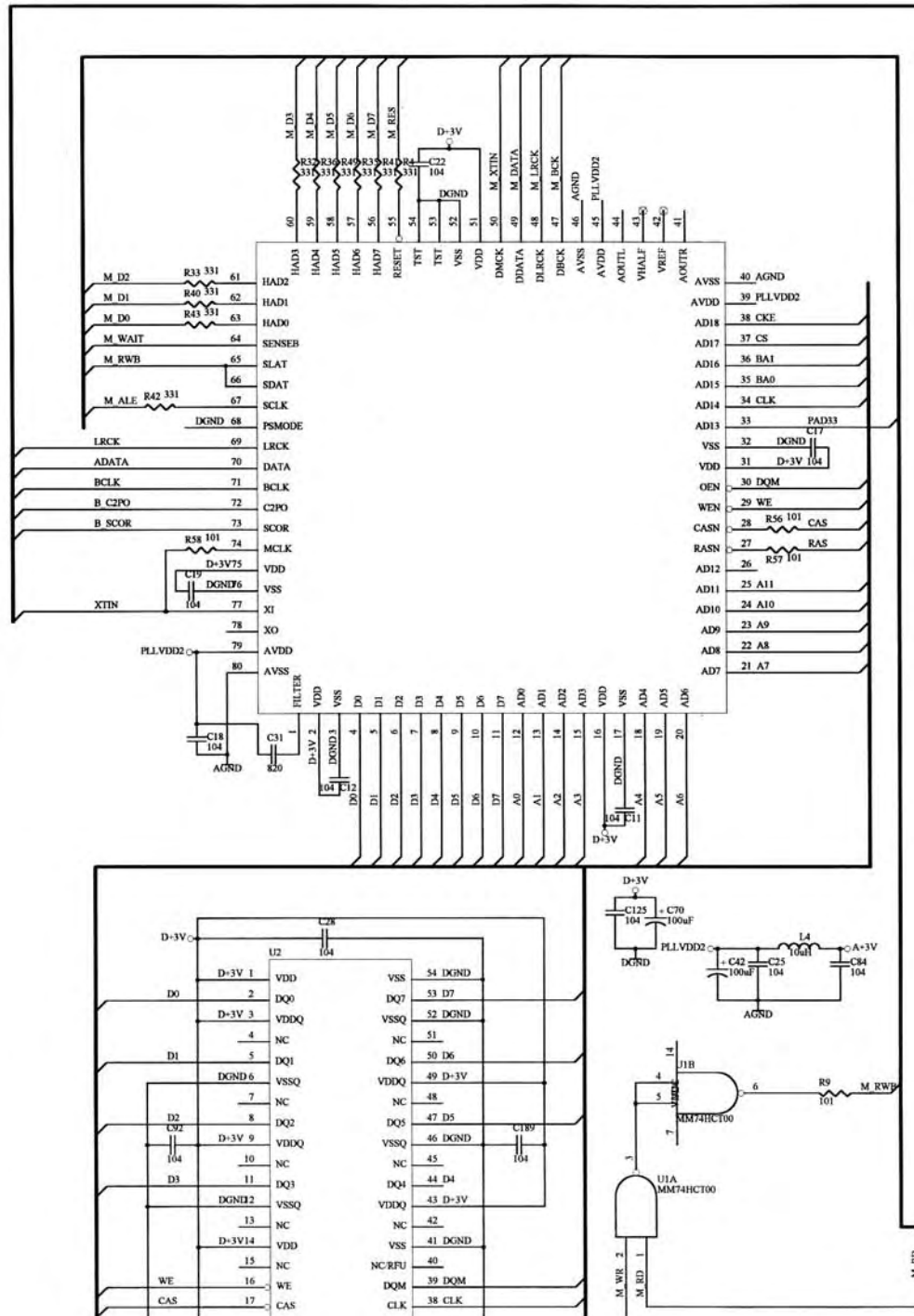
6

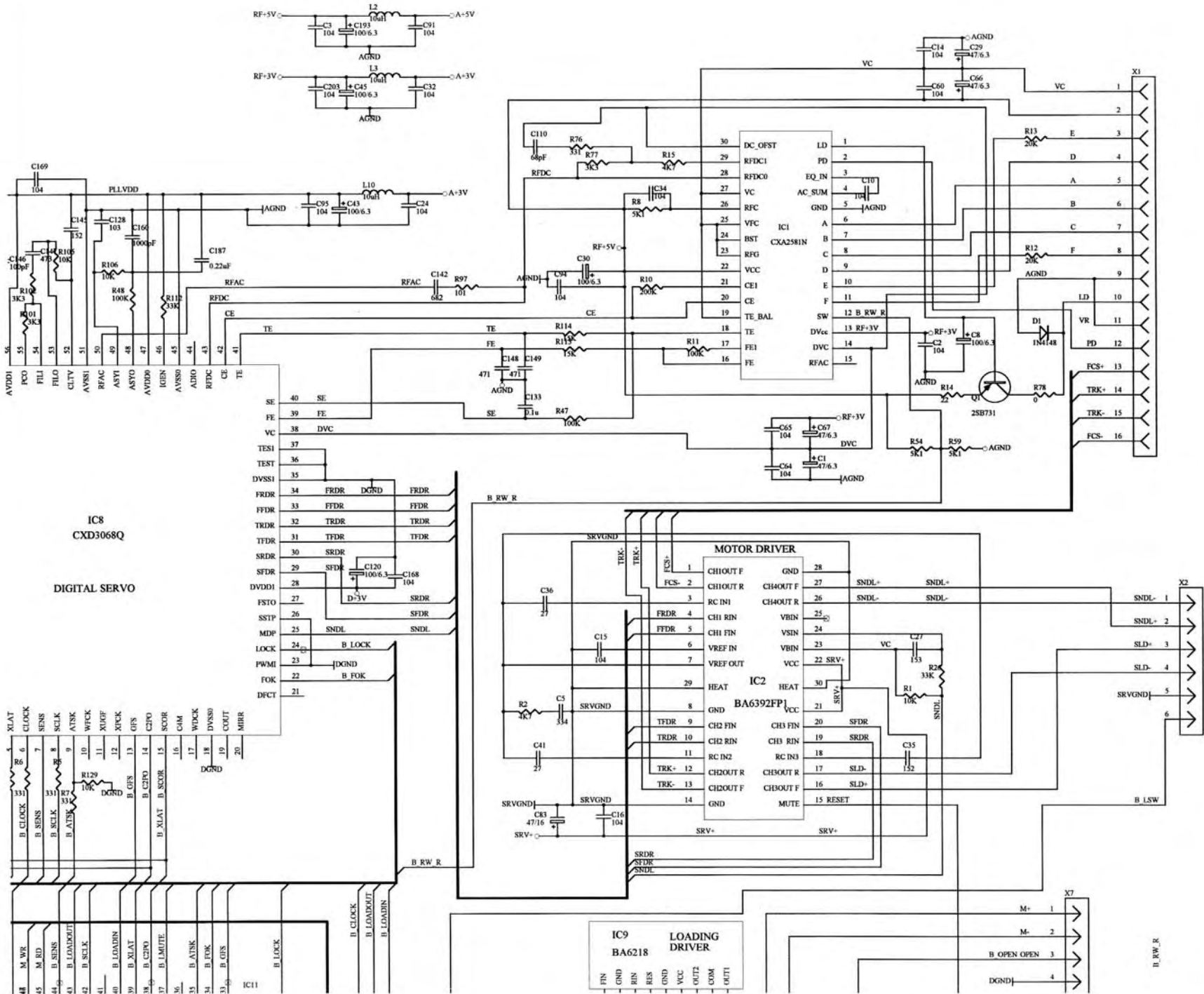


Note:  
Components that belong to LEFT part of CU are named 1. Components that belong to RIGHT part of CU are named 2. For example, LCD

# CONTROL UNIT PCB

# MAIN UNIT PCB





IC8  
CXD3068Q

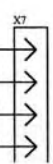
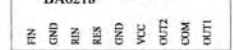
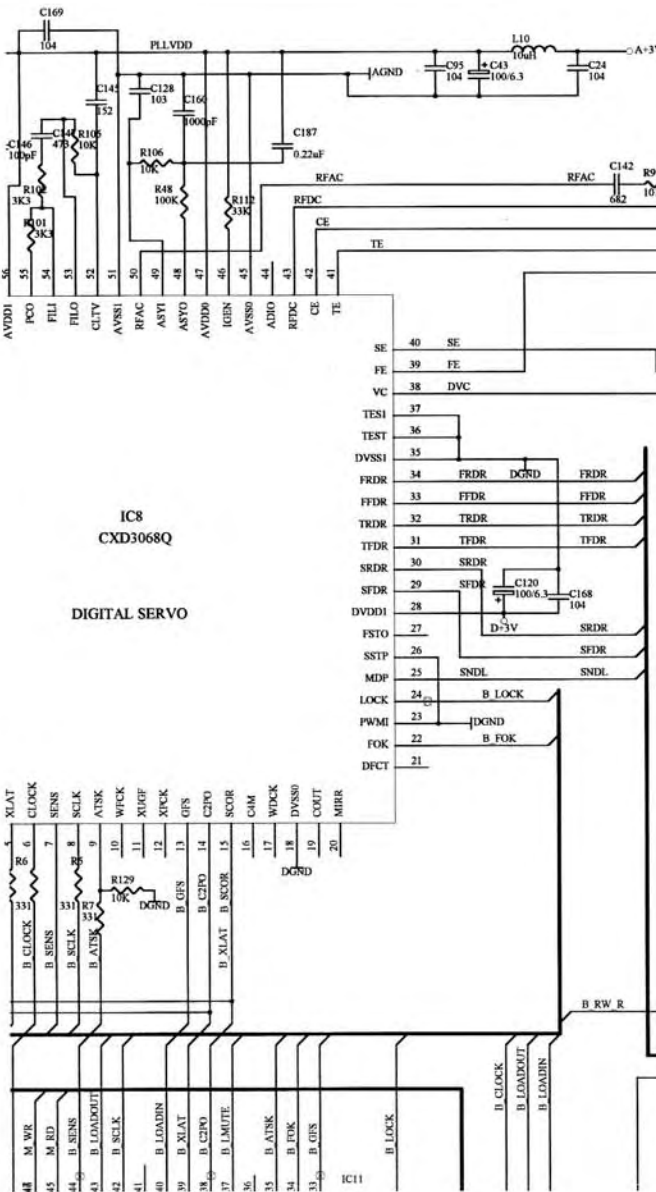
DIGITAL SERVO

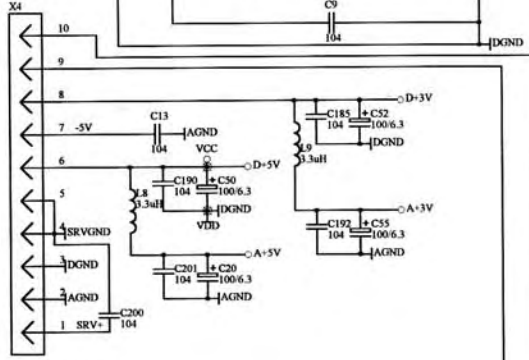
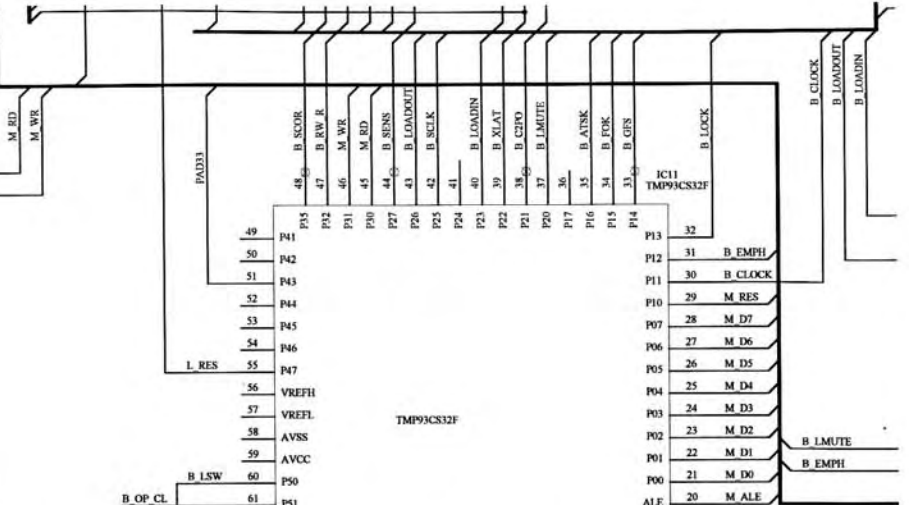
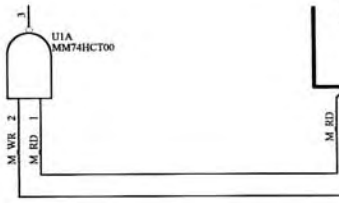
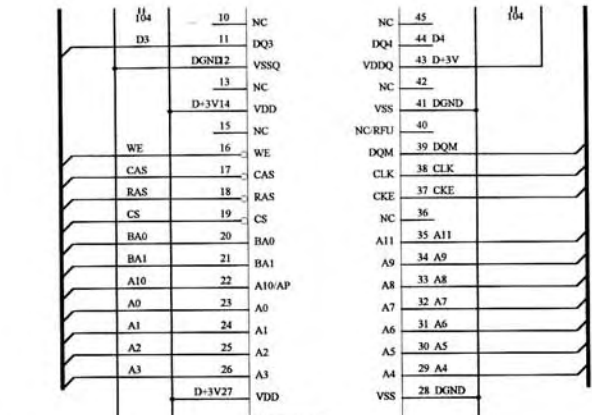
IC9  
BA6218

LOADING  
DRIVER

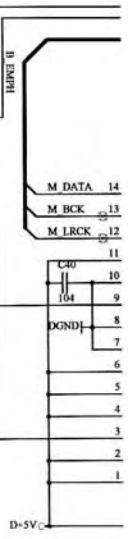
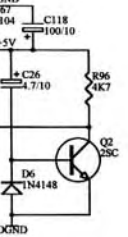
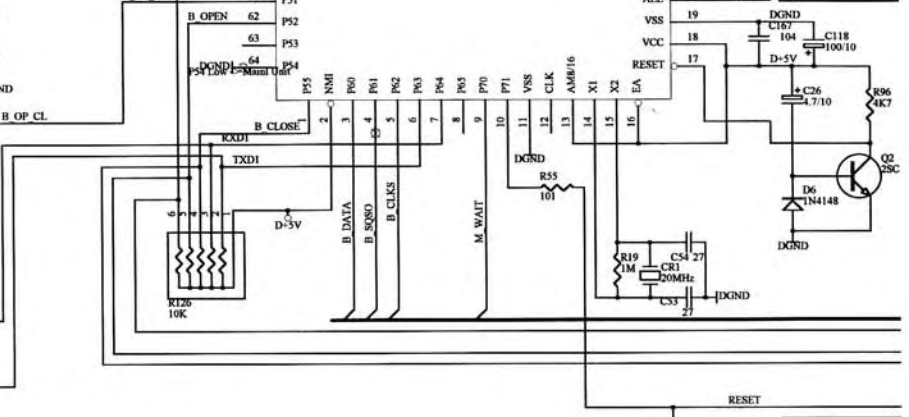
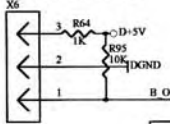
MOTOR DRIVER

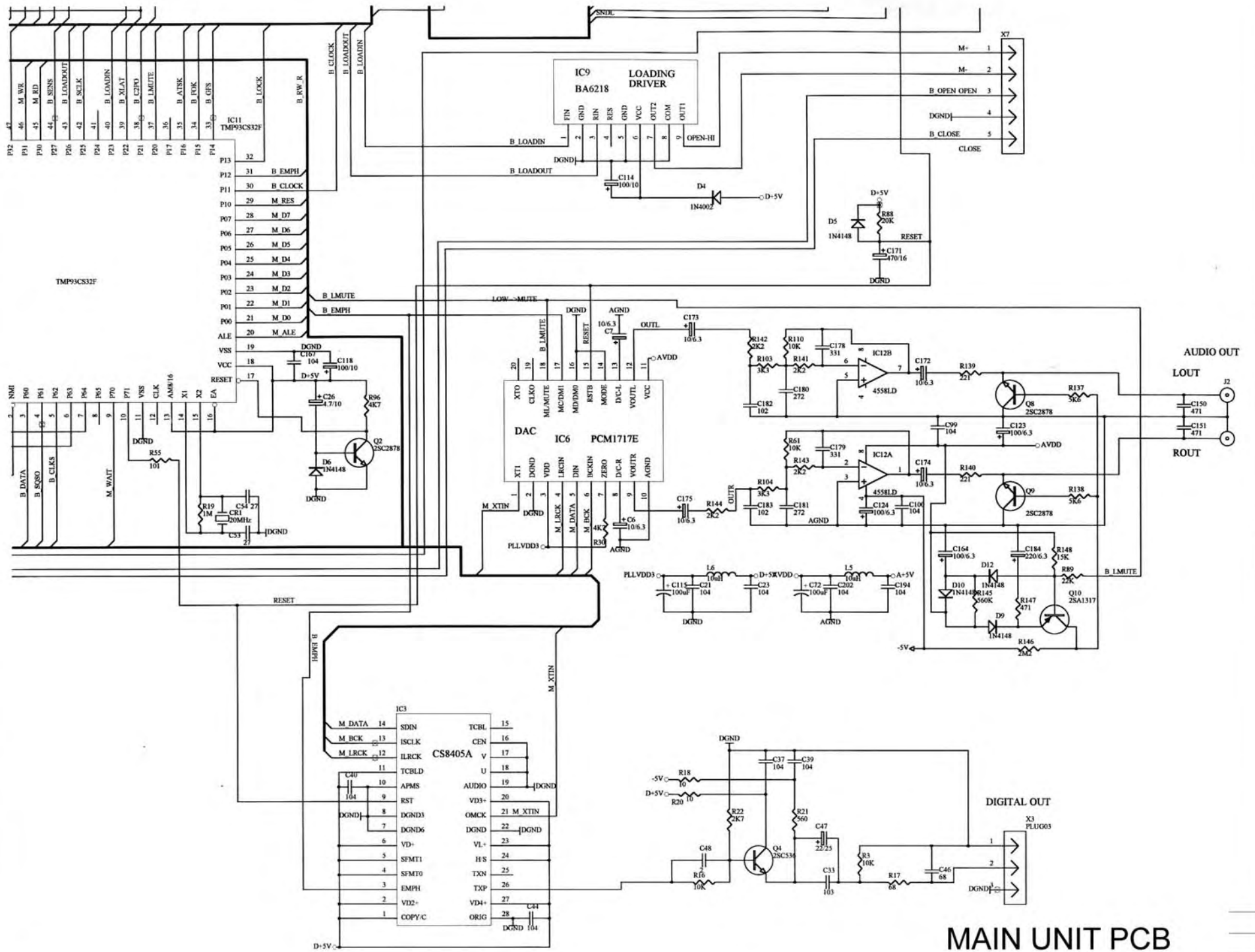
IC2  
BA6392FP





OPEN CLOSE BUTTON





# MAIN UNIT PCB