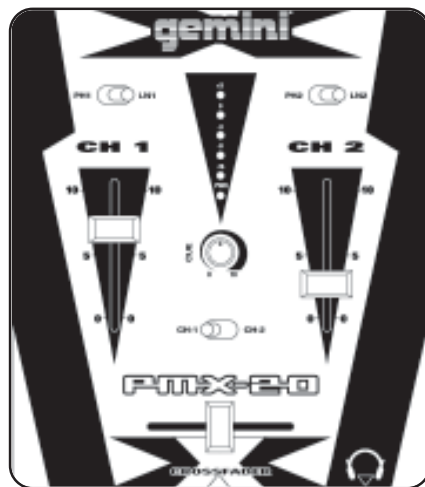




SERVICE manual

PMX-20

Stereo Preamp Mixer

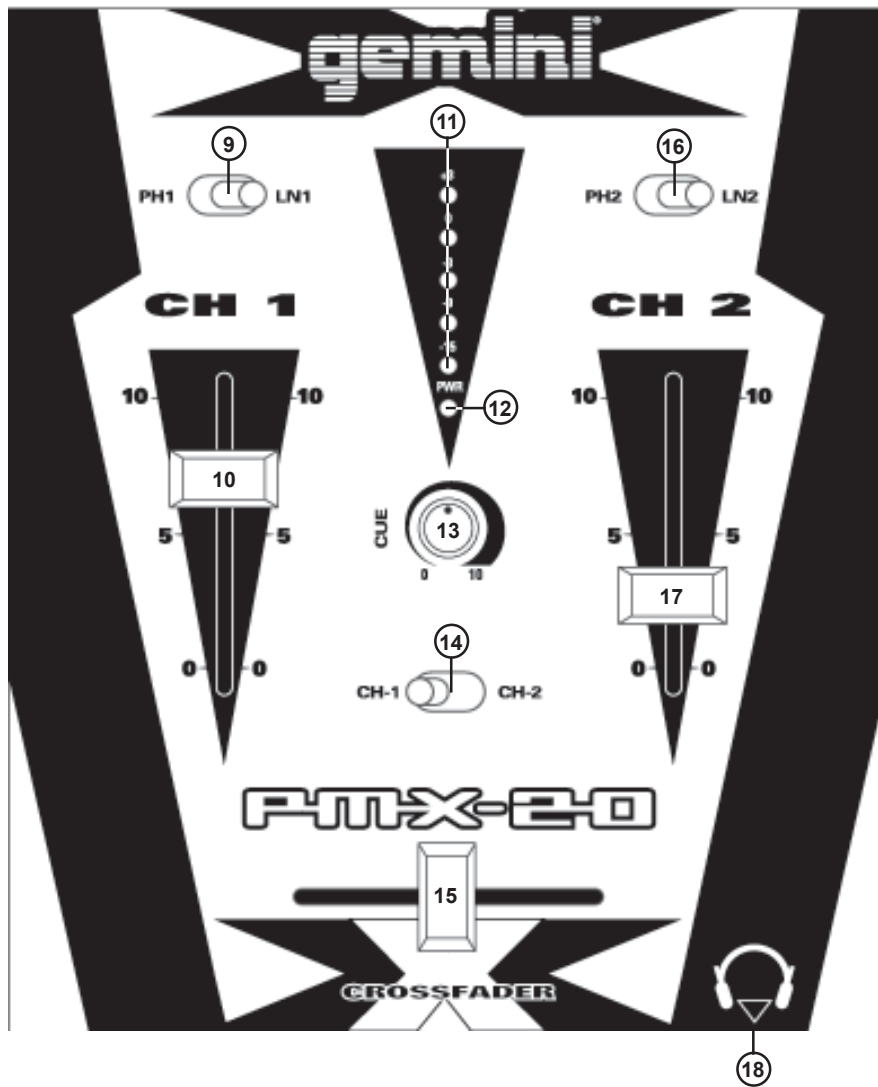
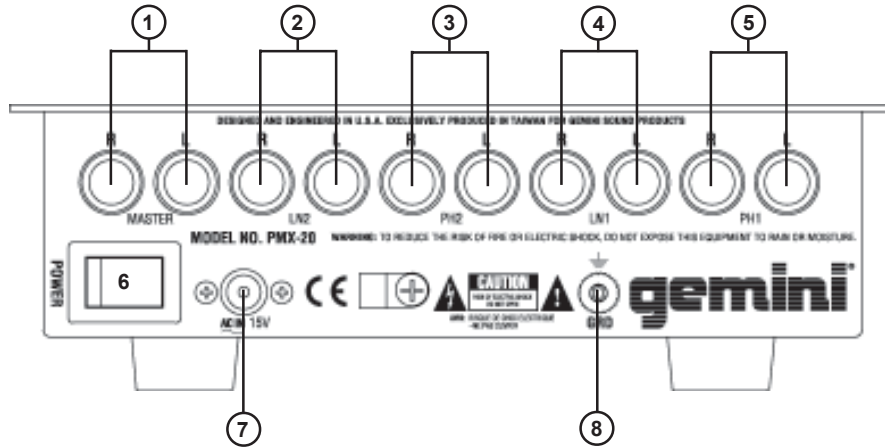


CONTENT'S:

Connections & Operations:	Page 2-3
Specifications:	Page 3
Parts Lists:	Page 3
PCBs:	Page 4
Schematics	Page 5



Gemini Sound Products Corp.
120 Clover Place P.O. Box 6928
Edison, NJ 08818-6928
732-738-9003 (Phone) • 732-738-9006 (Fax)



Connections

1. This unit comes supplied with a 15 volt AC adaptor. Plug the male pin of the adaptor into the rear panel **POWER JACK (7)**. Then plug the adaptor into a proper power source.
2. Make sure that the **POWER (6)** switch is in the off position. The **POWER LED (12)** will be off.
3. To connect the mixer to your amplifier, use the **OUTPUT AMP (1)** jacks on the rear panel.
4. On the rear panel are 2 stereo **PHONO (3, 5)** inputs and 2 stereo **LINE (2, 4)** inputs. The **PHONO (3, 5)** inputs will accept turntable inputs only. A **GROUND (8)** screw for you to ground your turntables is located on the rear panel. The stereo **LINE (2, 4)** inputs will accept any line level input like a CD player or a cassette player.
5. Headphones can be plugged into the front panel mounted **HEADPHONE (18)** jack.

Operation

1. **POWER ON:** Once you have made all the equipment connections to your mixer, press the **POWER (6)** switch. The power will turn on and the **POWER LED (12)** will glow RED.
2. **CHANNEL 1:** The **CHANNEL LEVEL SLIDE (10)** allows you to fully adjust the level of the selected source. The **PHONO/LINE (9)** switch allows you to select either Line 1 or Phono 1 to play through channel 1.
3. **CHANNEL 2:** The **CHANNEL LEVEL SLIDE (17)** allows you to fully adjust the level of the selected source. The **PHONO/LINE (16)** switch allows you to select either Line 2 or Phono 2 to play through channel 2.
4. **CROSSFADER SECTION:** The **CROSSFADER (15)** allows the mixing of one source into another. The left side of the **CROSSFADER (15)** is channel 1 and the right side is channel 2.
5. **CUE SECTION:** By connecting a set of headphones to the **HEADPHONE (18)** jack, you can monitor either channel 1 or channel 2. Select Channel 1 by moving the **CUE SWITCH (14)** to the left or Channel 2 by moving the **CUE SWITCH (14)** to the right. Use the **CUE LEVEL (13)** control to adjust the headphone volume without effecting the overall mix.
6. **DISPLAY:** The **DISPLAY (11)** indicates the **MASTER (1)** output.

Specifications

INPUTS:

Phono.....3mV 47Kohm
Line.....150 mV 27Kohm

OUTPUTS:

Amp.....0 dB 1V 400ohm
Max.....10V Peak to Peak

GENERAL:

Frequency Response.....20Hz - 20KHz +/- 2dB
Distortion.....0.02%
S/N Ratio.....better than 80dB
Headphone Impedance.....16ohm
Power Source.....115V/15V AC 7.5W
or 230V/15V AC 7.5W
Dimensions.....6.5" x 7.5" x 2" (165 x 192 x 53 mm)
Weight.....2 lbs (1 kg)

Parts Lists

Cabinet Parts and Packing

Item #	Description	Part #
1	PANEL CONTROL	002-202
2	COVER BOTTOM	032-012
3	KNOB SWING (LONG)	023-674
4	KNOB ROTARY (B)	003-110
5	KNOB INLAY (BLACK)	148-236
6	KNOB SLIDE (BIG)	002-704
7	HOLDER MIC	003-712
8	DUST PROOF CLOTH	159-215
9	VR DUST PROOF CLOTH	159-171
10	SWING DUST PROOF CLOTH	159-216
11	HOLDER LED 3fLED (17mm)	003-969
12	GND SCREW	146-710
13	PAD FOOT	049-205
14	SCREEN	046-026
15	SNAP RIVET	003-612
16	PAN-HEAD TAPPING SCREW/TWIN SCREW 2x6(B)	110-166
17	FAND-HEAD TAPPING SCREW 3x6(AB)	111-043A
18	BAND-HEAD TAPPING SCREW 3x6(AB)	111-046A
19	PAN-HEAD TAPPING SCREW/TWIN SCREW 3x8(AB)	110-172A
20	PAN-HEAD TAPPING SCREW/WASHER 3x10(B)	110-168

Printed Circuit Boards

Item #	Description	Part #
1	PRINTED CIRCUIT BOARD PC-PMX-5	262-037

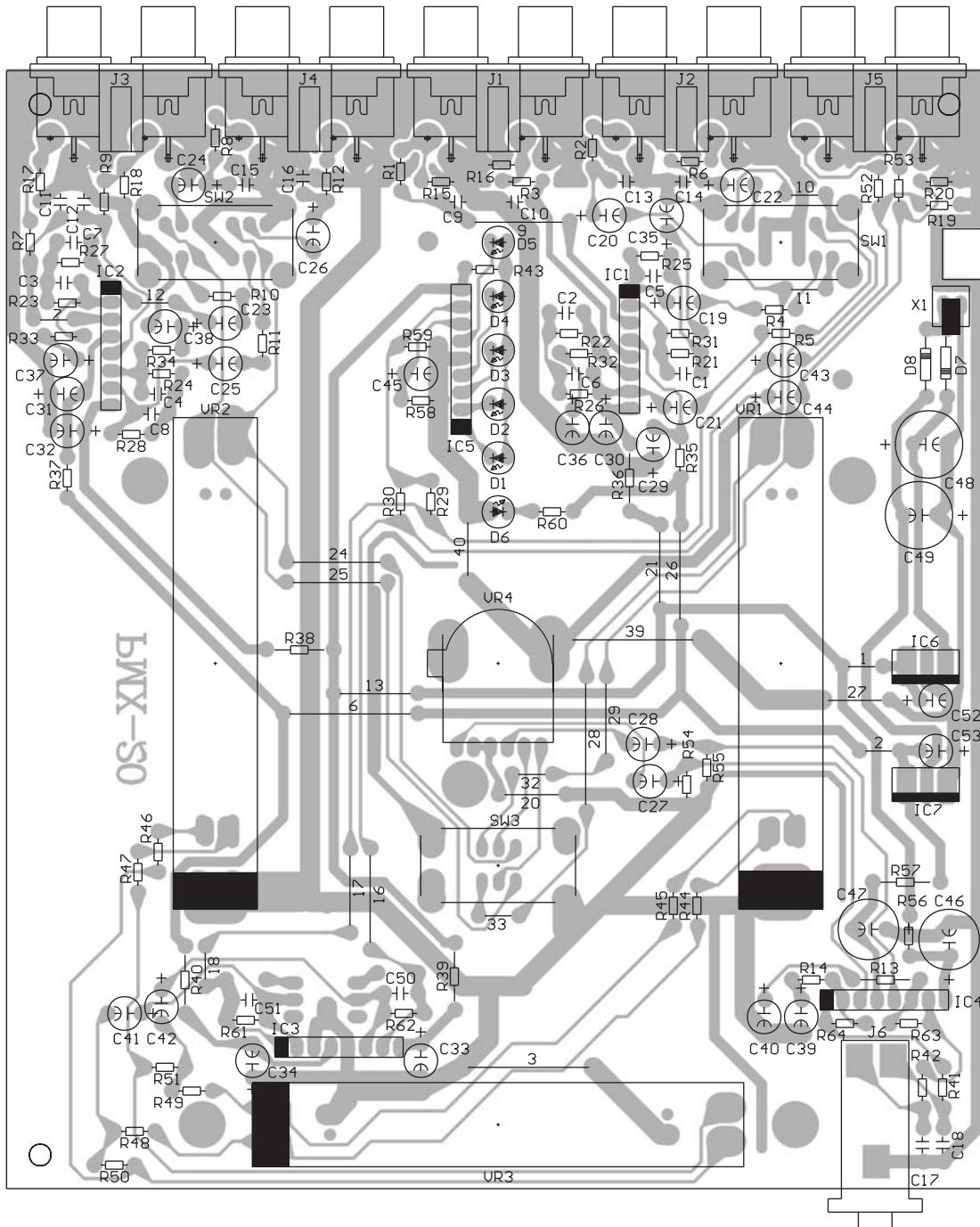
ICs

Item #	Designators	Description	Part #
1	IC5	INTEGRATED CIRCUIT LB1403N	074-022
2	IC1, IC2	INTEGRATED CIRCUIT NJM2068LD	074-145
3	IC3	INTEGRATED CIRCUIT NJM4558L (M5218AL,BA4558N)	074-104
4	IC4	INTEGRATED CIRCUIT NJM4556L	074-113
5	IC7	INTEGRATED CIRCUIT NJM7912FA	074-114
6	IC6	INTEGRATED CIRCUIT NJM7812FA	074-107

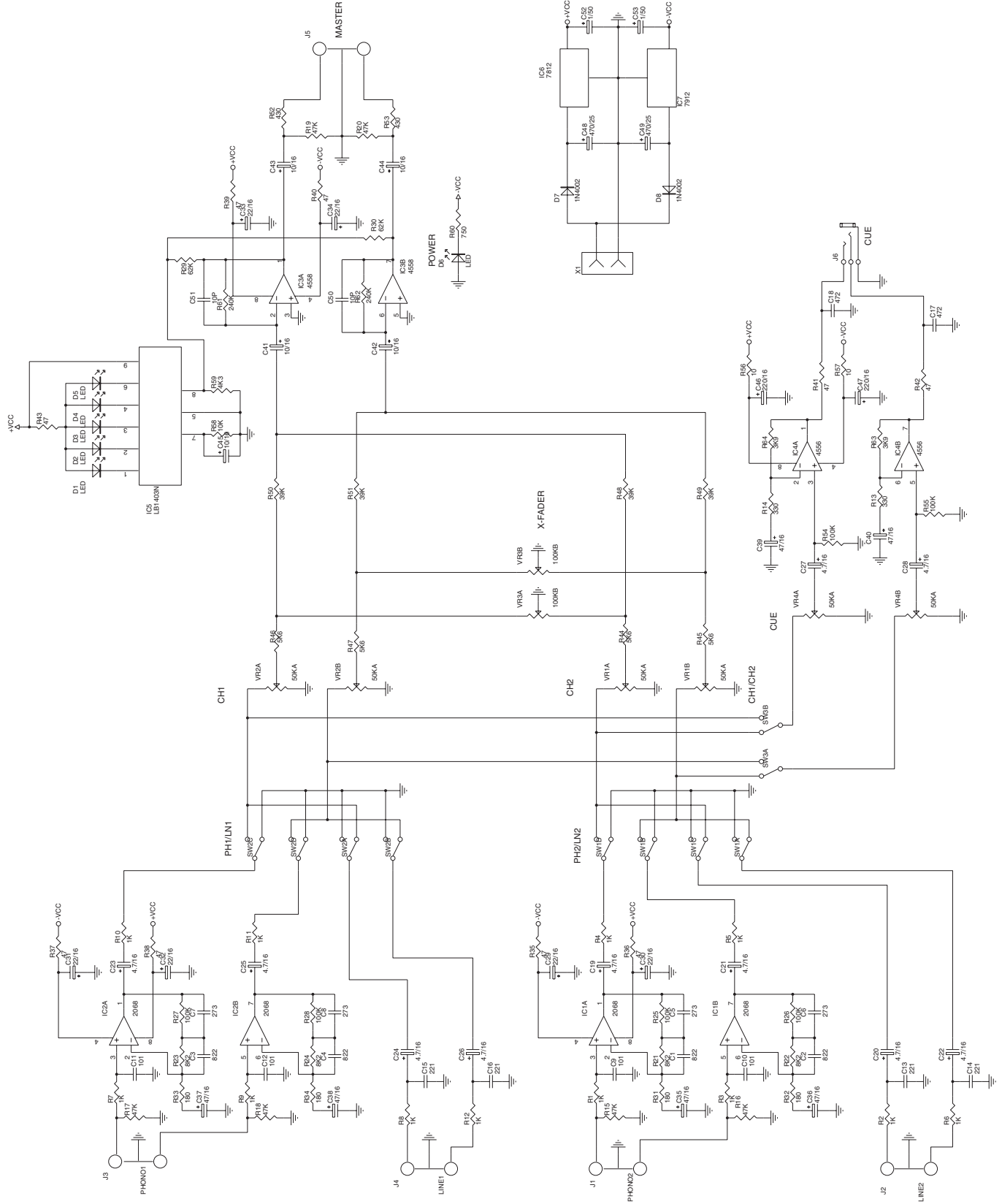
ICs Electrical Parts

Item #	Designators	Description	Part #
1	D7, D8	RECTIFIER DIODE 1N4002 (1N4003,1N4004)	079-027
2	D1-6	LIGHT EMITTING DIODE (RED) 3.15f	080-091
3	VR3	SLIDE VR 45mm L=20 FADER 100KBx2	072-081
4	VR1, VR2	SLIDE VR 45mm L=20 CH1/CH2 50KAx2	072-035
5	VR4	ROTARY VR 16f L=20 50KAx2	071-084

PCB



Schematic





**In the USA: If you experience problems with this unit,
call 1-732-738-9003 for Gemini Customer Service.**

Do not attempt to return this equipment to your dealer.

Parts of the design of this product may be protected by worldwide patents.

Information in this manual is subject to change without notice and does not represent a commitment on the part of the vendor. Gemini Sound Products Corp. shall not be liable for any loss or damage whatsoever arising from the use of information or any error contained in this manual.

No part of this manual may be reproduced, stored in a retrieval system or transmitted, in any form or by any means, electronic, electrical, mechanical, optical, chemical, including photocopying and recording, for any purpose without the express written permission of Gemini Sound Products Corp.

It is recommended that all maintenance and service on this product is performed by Gemini Sound Products Corp. or its authorized agents.

Gemini Sound Products Corp. will not accept liability for loss or damage caused by maintenance or repair performed by unauthorized personnel.

**Worldwide Headquarters • 120 Clover Place, Edison, NJ 08837 • USA
Tel: (732) 738-9003 • Fax: (732) 738-9006**

France • G.S.L. France • 11, Avenue Leon Harmel, Z.I. Antony, 92160 Antony, France
Tel: + 33 (0) 1 55 59 04 70 • Fax: + 33 (0) 1 55 59 04 80

Germany • Gemini Sound Products GmbH • Ottostrasse 6, 85757 Karlsfeld, Germany
Tel: 08131 - 39171-0 • Fax: 08131 - 39171-9

UK • Gemini Sound Products • Unit C4 Hazleton Industrial Estate, Waterlooville, UK P08 9JU
Tel: 087 087 00880 • Fax: 087 087 00990

Spain • Gemini Sound Products S.A. • Rosello, 516, Barcelona, Spain, 08026
Tel: 349-3435-0814 • Fax: 3493-347-6961