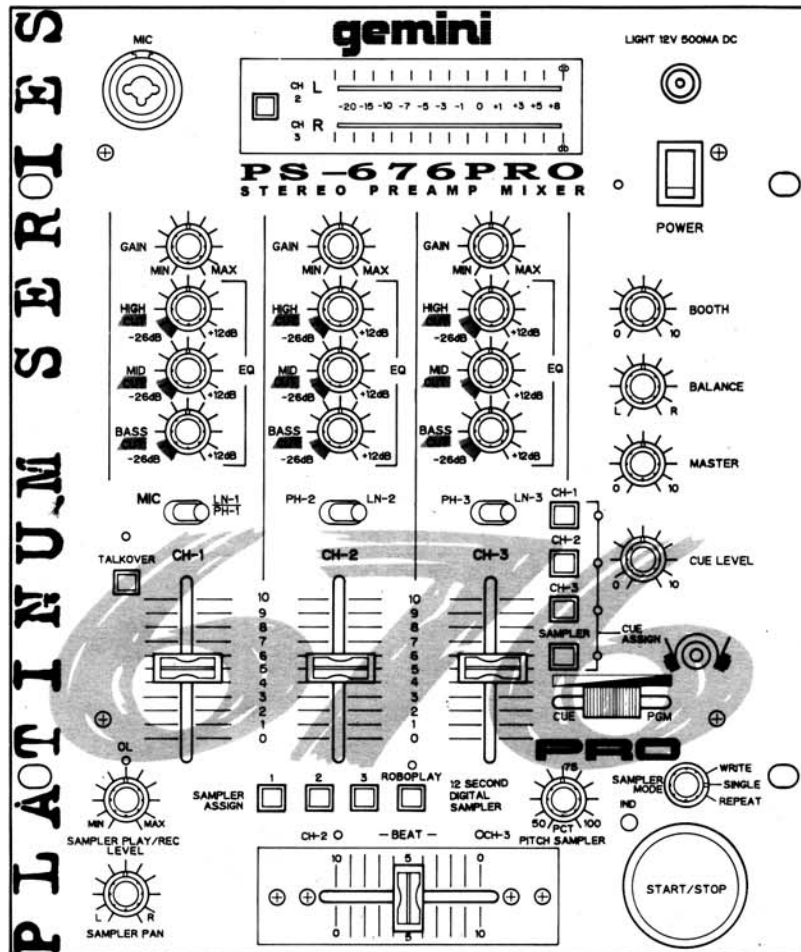


SERVICE MANUAL
STEREO PREAMP MIXER
MODEL PS-626PRO / PS-676PRO



CONTENTS

SPECIFICATIONS	2
CONNECTION , OPERATING AND SAMPLER INSTRUCTIONS	2
DISASSEMBLY PROCEDURES	7
INTERNAL DIAGRAMS AND PINOUT OF INTEGRATED CIRCUITS	8
WIRING DIAGRAM	12
SCHEMATIC DIAGRAM	14
PRINTED CIRCUIT BOARDS	20
EXPLODED VIEW OF CABINET	24
CABINET PARTS LIST	26
PARTS LIST	27

GEMINI SOUND PRODUCTS CORP .

8 GERMAK DRIVE, CARTERET, NEW JERSEY 07008 U.S.A.

TEL:732-969-9000

FAX:732-969-9091

INSTRUCTIONS FOR CONNECTION

1. Before plugging in the power cord, make sure that the VOLTAGE SELECTOR (30) switch is set to the correct voltage.

NOTE:

This product is double insulated and not intended to be grounded.

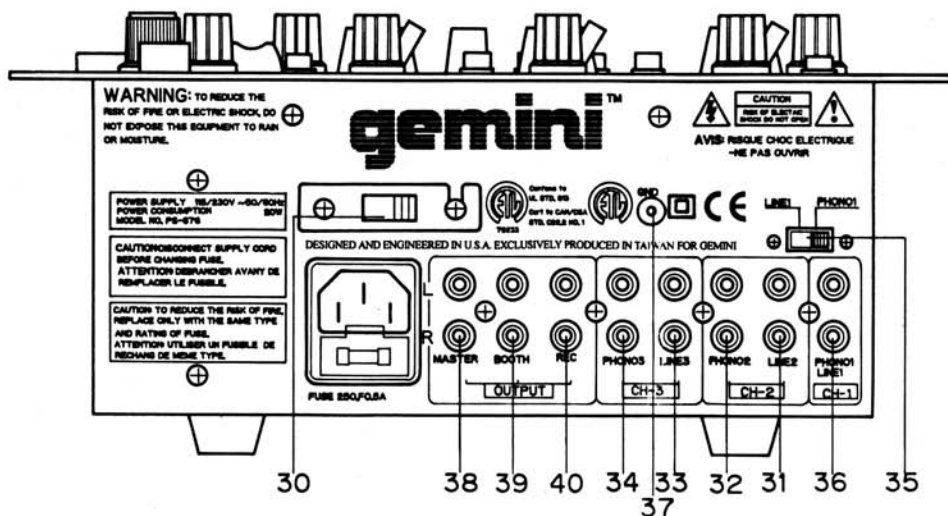
2. Make sure that the POWER (1) switch is in the off position. The POWER LED (2) will be off.
3. The unit is supplied with 3 sets of output jacks. The OUTPUT AMP (38) jacks are used to connect to your main amplifier. The OUTPUT REC (40) jacks can be used to connect the mixer to record input of your recorder enabling you to record your mix. The OUTPUT BOOTH (39) jacks allow you to hook up an additional amplifier.

4. The DJ MIC (3) input (found on the front panel) accepts a 1/4" or XLR connector and accepts only unbalanced microphones.

5. On the rear panel are 2 stereo PHONO (32,34) inputs, 2 stereo LINE (31,33) inputs and 1 stereo PHONO / LINE (36) input. The PHONO / LINE (35) switch enables you to set the (36) input to Phono or Line. The phono inputs will accept only turntables with a magnetic cartridge. A GROUND (37) screw for you to ground your turntables is located on the rear panel. The stereo line inputs will accept any line level input such as a CD player, a cassette player, etc.

6. Headphones can be plugged into the front panel mounted HEADPHONE (4) jack.

7. The unit comes with a front panel BNC LIGHT (5) jack. This jack is for use with a gooseneck light like the Gemini GNL-700.



SAMPLER OPERATION (PS-676 ONLY)

SAMPLE RECORDING:

1. Put the MODE SELECTOR (41) switch into the WRITE position.
2. Select the source you want to sample from by pressing the appropriate ASSIGN BUTTON (42).
3. The PS-676 PRO is equipped with a SAMPLER REC / PLAY LEVEL (43) control. When the MODE SELECTOR (41) is in the WRITE mode, this control acts as a record level control. If the OVERLOAD INDICATOR (44) is blinking, it means that the input signal you are going to sample is too strong and will cause the sample to be distorted. Lower the sample signal intensity by turning the SAMPLER REC/PLAY LEVEL (43) control counter clockwise.
4. If the OVERLOAD INDICATOR (44) is off, turn the SAMPLER REC/PLAY LEVEL (43) control clockwise until the OVERLOAD INDICATOR (44) begins to blink and then turn the SAMPLER REC / PLAY LEVEL (43) counter clockwise until the OVERLOAD INDICATOR (44) just goes off.
5. Tapping the START / STOP (45) button begins the sampling process (the SAMPLER INDICATOR (46) will illuminate RED). Tapping the START / STOP (45) button a second time ends the sample (the SAMPLER INDICATOR (46) will turn off). If you do not tap the START / STOP (45) button a second time, the sampling process will stop automatically after 12 seconds.

SAMPLE PLAYBACK:

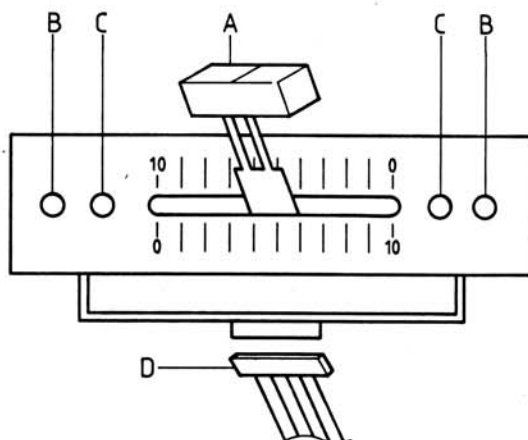
1. Put the MODE SELECTOR (41) switch into the SINGLE or REPEAT position.
2. When MODE SELECTOR (41) is in the SINGLE or REPEAT mode, the SAMPLER REC / PLAY LEVEL (43) control acts as a Sampler Level Control.
3. Tapping the START / STOP(45) button with the MODE SELECTOR (41) in the SINGLE position will cause the sampler to playback one time (the SAMPLER INDICATOR (46) will illuminate GREEN). Every push of the START / STOP (45) button will restart the sample from the beginning. Rapid pressing of the START / STOP (45) button will cause a stuttering effect. Once the sample has started playback and the START / STOP (45) button is not pushed a second time, the sample will play to the end and then stop (the SAMPLER INDICATOR (46) will illuminate turn off).
4. Tapping the START / STOP (45) button with the MODE SELECTOR (41) in the REPEAT position will cause the sample to continuously play over and over (the SAMPLER INDICATOR (46) will illuminate GREEN). The START / STOP (45) button will act as an on/off switch. The first push will start the sample, the second push will stop it.

OPERATING INSTRUCTIONS

- 1. POWER ON:** Once you have made all the equipment connections to your mixer, press the POWER SWITCH (1). The power will turn on and the POWER LED (2) will glow RED.
- 2. CHANNEL 1:** The gain (6), TREBLE (7), MID (8), and BASS (9) controls allow you to fully adjust the selected source. Switch # (10) allows you to select either the mic or the PHONO / LINE (36) input. The CHANNEL (13) slide controls the output level of this channel.
- 3. MAIN CHANNEL SECTION:** To assign an input source to a channel, first set the PHONO / LINE (11,12) switches to their appropriate positions. To make the proper adjustments to your music, set the GAIN (6), TRABLE (7), MID (8) and BASS (9) controls and position the CHANNEL (14,15) slide.

NOTE: There is BASS, Mid and High equalization for each channel with an extremely wide range of adlustrment giving you a smoother mix.

- 4. CROSSFADER SECTION:** The CROSS-FADER (25) allows the mixing of one source into another. The left side of the CROSSFADER (25) is channel 2 and the right side is channel 3. The CROSS-FADER (25) in your unit is REMOVABLE and if the need arises can be easily replaced. There are two replacement crossfaders available from Gemini for the PS-626PRO / PS-676PRO Stereo Pre-Amp mixers. Part RF-45 (which is identical to the cross fader supplied with the unit) is available. Also available is part PSF 45 Professional Scratch Fader, a slight movement to the right or left completes a full crossfade.



1. Unscrew the outside FADER PLATE SCREW(B). Do not touch the INSIDE SCREWS(C).
2. Carefully life the fader and unplug the CABLE(D).
3. Plug the new fader into cable and place it back in the mixer.
4. Screw the fader to the mixer.

- 5. BEAT INDICATORS:** Each side of the CROSSFADER (25) has its own BEAT INDICATORS (23,24). They flash at the low frequency peak level allowing you to match the beats visually. BEAT INDICATORS (23) will reflect the beat of the left side of the CROSSFADER (25) and BEAT INDICATORS (24) will do the same for the right side.
- 6. OUTPUT CONTROL SECTION:** The level of the AMP OUT (38) is controlled by the MASTER (18) control. The BALANCE (17) control will allow the Amp Out signal to be balanced between the left and right speakers. The BOOTH (16) control adjusts the level of the BOOTH OUTPUT (39).

NOTE: The RECORD OUT (40) has no level control. The level is set by the channel slides and the gain controls of the selected channel. The tonal qualities are set by the bass, treble and mid control of that same channel.

- 7. TALKOVER SELECTION:** The purpose of the talkover section is to allow the program playing to be muted so that the mic can be heard above the music. When the TALKOVER (19) button is pushed (the TALKOVER INDICTOR (28) will glow), the volume of all soures except the Mic or whatever is connected to the PHONO / LINE (36) input are reduced by -16 dB.

8. **CUE SECTION:** By connecting a set of headphones to the HEADPHONE (4) jack, you can monitor any or all of the channels. Select the correct CUE (21) button or buttons and their respective CUE LED (29) indicators will glow. Use the CUE LEVEL (20) control to adjust the headphone volume without effecting the overall mix. By sliding the CUE PGM PAN (22) control to the left you will be able to monitor the assigned cue signal. Sliding to the right will monitor the PGM (program) output.

9. **DISPLAY:** The peak hold, dual function DISPLAY (26) indicates either the MASTER (38) output left and right levels or the channel 2 and channel 3 levels. You can choose the option you want by pressing the DISPLAY (27) button.

NOTE: When the DISPLAY (27) is in the channel 2 / channel 3 display mode, by adjusting the individual channel gain and tone controls, you can increase or decrease the signal to match the other channel's signal. The channel slides and crossfader have no effect on the display readings.

ROBO PLAY

1. With the ROBO PLAY (47) button in the OFF position (the ROBO PLAY INDICATION (48) will be OFF) and the MODE SELECTOR (41) switch in either the SINGLE or REPEAT mode, pressing the START / STOP (45) will cause the sample to play along with the signal going through the mixer.

2. When the ROBO PLAY (47) button is in the ON position (the ROBO PLAY INDICATOR (48) illuminates RED), starting the sampler mutes the signal going through the mixer. When the sample ends, the signal automatically turns back on.

PITCH CONTROL

1. The PS-676 comes equipped with a sampler PITCH (49) control. To get a perfect sample, set the control to its center position and record the sample.

2. During playback, raising or lowering the control will raise or lower the pitch of the sample playback. The center position will remain as normal pitch.

NOTE:

You can record a sample with the PITCH (49) control in any position. Whatever that position is will become normal sound. If you start to record a sample with the PITCH (49) control set at minimum (this now becomes your normal pitch), by increasing the pitch to maximum, the pitch effect will double in speed. Recording at maximum and lowering to minimum will do exactly the opposite.

PAN CONTROL

1. Placing the PAN(50) control in the center position will cause the sample play back to evenly play through the left and right channels. Turning the PAN(50) control left or right will move the play back similar to a balance control.

DISASSEMBLY PROCEDURES

1. Removal of Front Panel

- (a) Remove 20 knobs(A).(Fig. 1)
- (b) Remove 5 knobs(B).(Fig. 1)
- (c) Remove 4 screws(C).(Fig. 1)
- (d) Remove 2 screws(D).(Fig. 1)

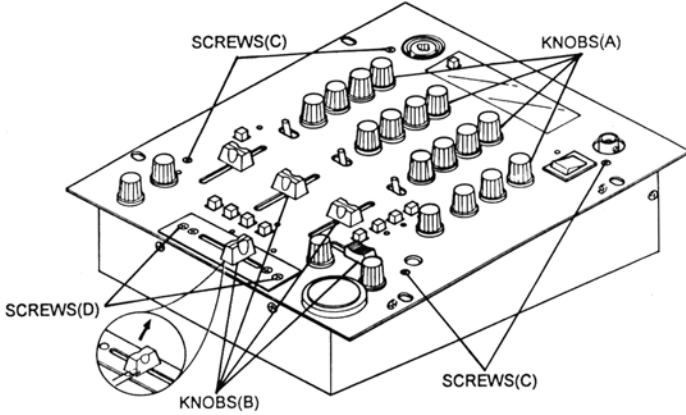


Fig. 1

2. Removal of Chasis and Top Cover

- (a) Remove 2 screws(E).(fig.2)
- (b) Remove 6 screw(F).(Fig.2(Fig.3))
- (c) Remove 4 screws(G).(Fig.3)
- (d) Remove 20 nuts(H).(Fig.3)
- (e) Remove 16 screws(I).(Fig.4)
- (f) Remove 2 screws(J).(Fig.4)
- (g) Remove 6 screws(K).(Fig.4)
- (h) Remove 1 nut(L).(Fig.4)

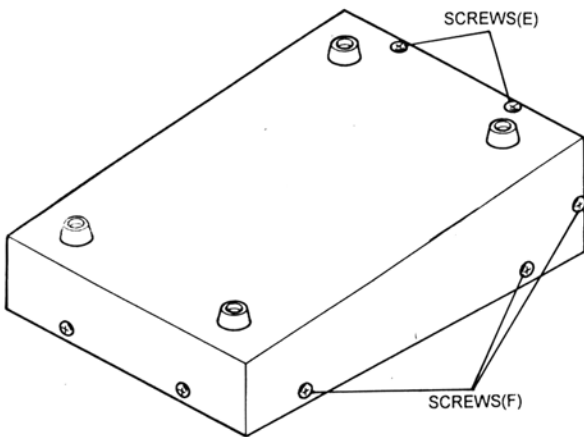


Fig. 2

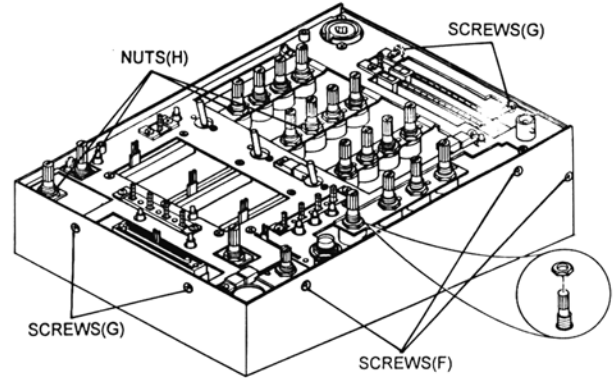


Fig. 3

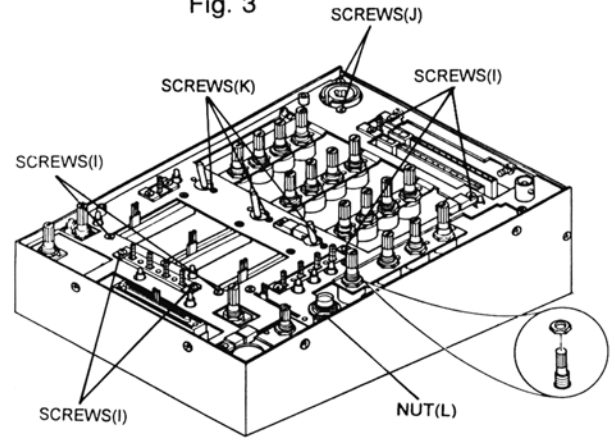


Fig. 4

3. Removal of Rear Panel and Other

- (a) Removal of Sample P.C.B.(Fig.5,PS-676 PRO Only)
Press 3 supports(M).
- (b) Removal of IN / OUT P.C.B.(Fig.5)
Remove 4 screws(N).
- (c) Removal of Transformer(Fig.5)
Remove 2 screws(O).
- (d) Removal of Ligth / Phone(Fig.5)
Remove 2 screws(P).
- (e) Removal of Voltage Selector(Fig.5)
Remove 2 screws(Q).

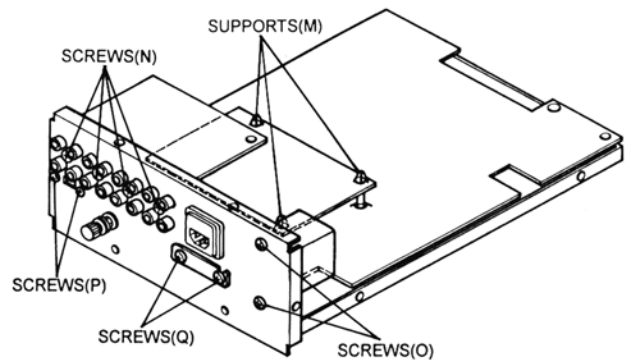
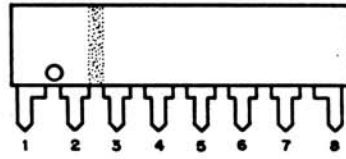


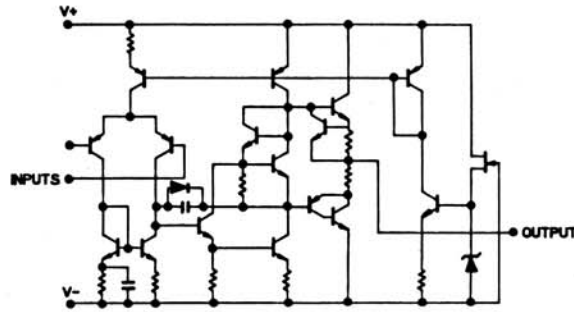
Fig. 5

INTERNAL DIAGRAMS AND PINOUT OF INTEGRATED CIRCUITS

NJM4556L

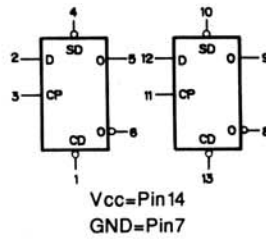


- PIN FUNCTION**
- 1. A OUTPUT
 - 2. A- INPUT
 - 3. A+ INPUT
 - 4. V-
 - 5. B+ INPUT
 - 6. B- INPUT
 - 7. B OUTPUT
 - 8. V+

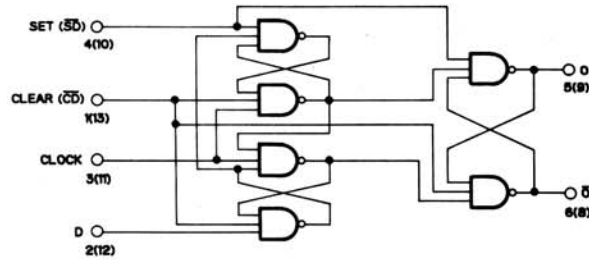


SN4/74LS74A

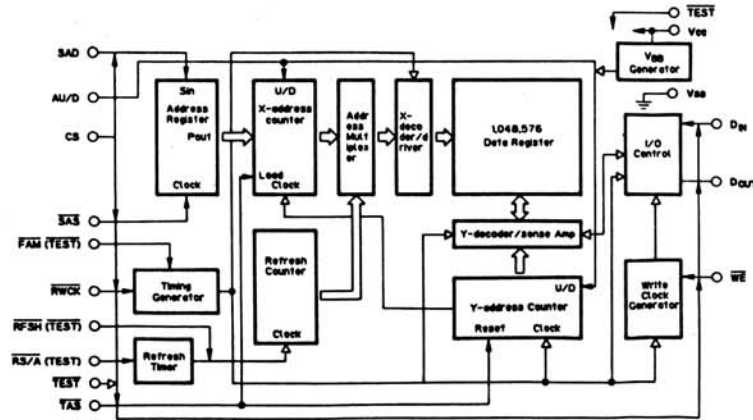
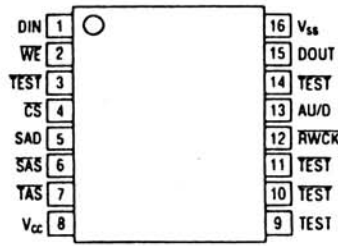
LOGIC SYMBOL



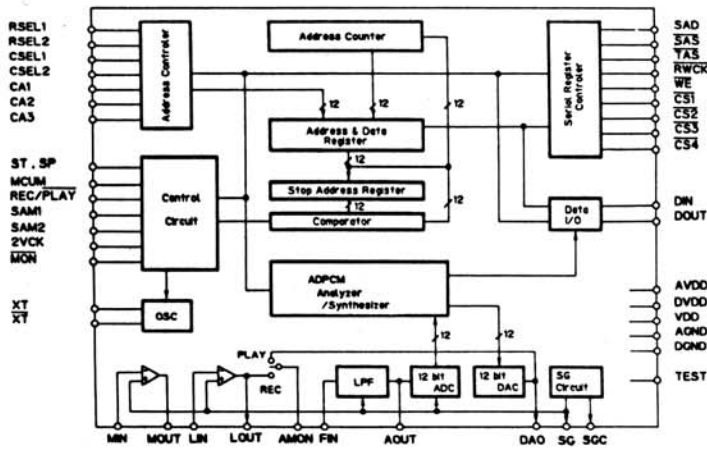
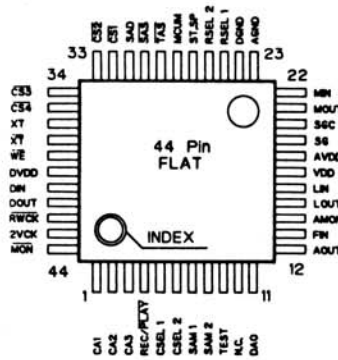
LOGIC DIAGRAM (EACH FLIP-FLOP)



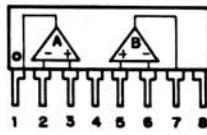
MSM6389RS



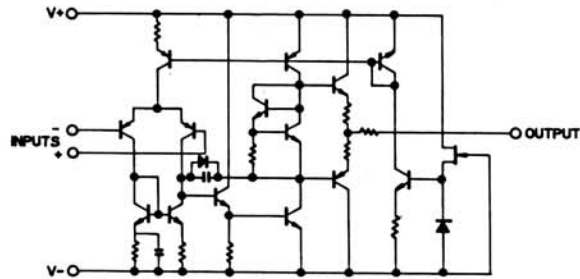
MSM6388GS-VIK



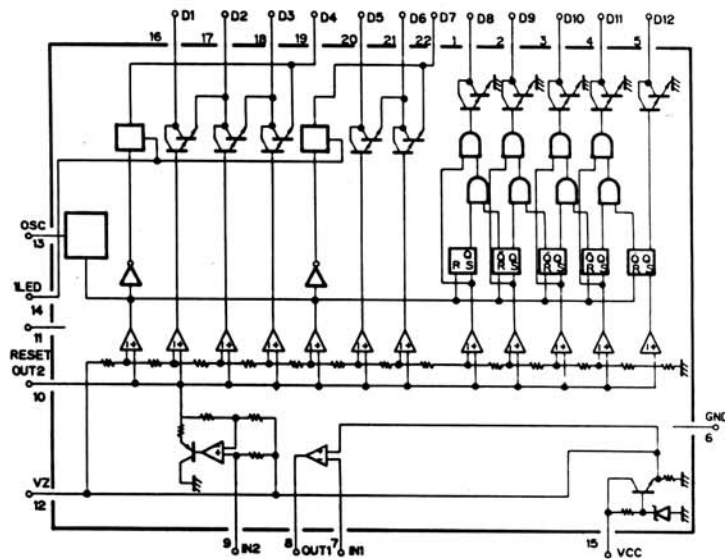
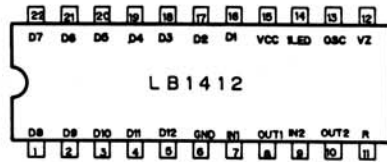
NJM4558



- PIN FUNCTION
1. A OUTPUT
 2. A- INPUT
 3. A+ INPUT
 4. V-
 5. B+ INPUT
 6. B- INPUT
 7. B OUTPUT
 8. V+



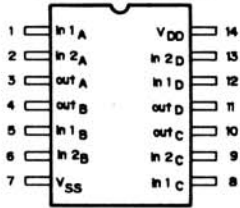
LB1412



MC1470B/14077B

NJM78M00

PIN ASSIGNMENT

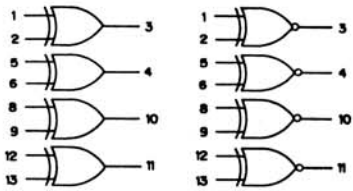


- 1. OUT
- 2. GND
- 3. IN

(TO-220F)



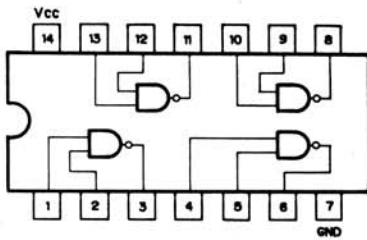
MC1470B Quad Exclusive OR Gate
 MC14070B Quad Exclusive OR Gate



V_{DD} = Pin 14
 V_{SS} = Pin 7
 (Both Devices)

SN474LS00

NJM79M00



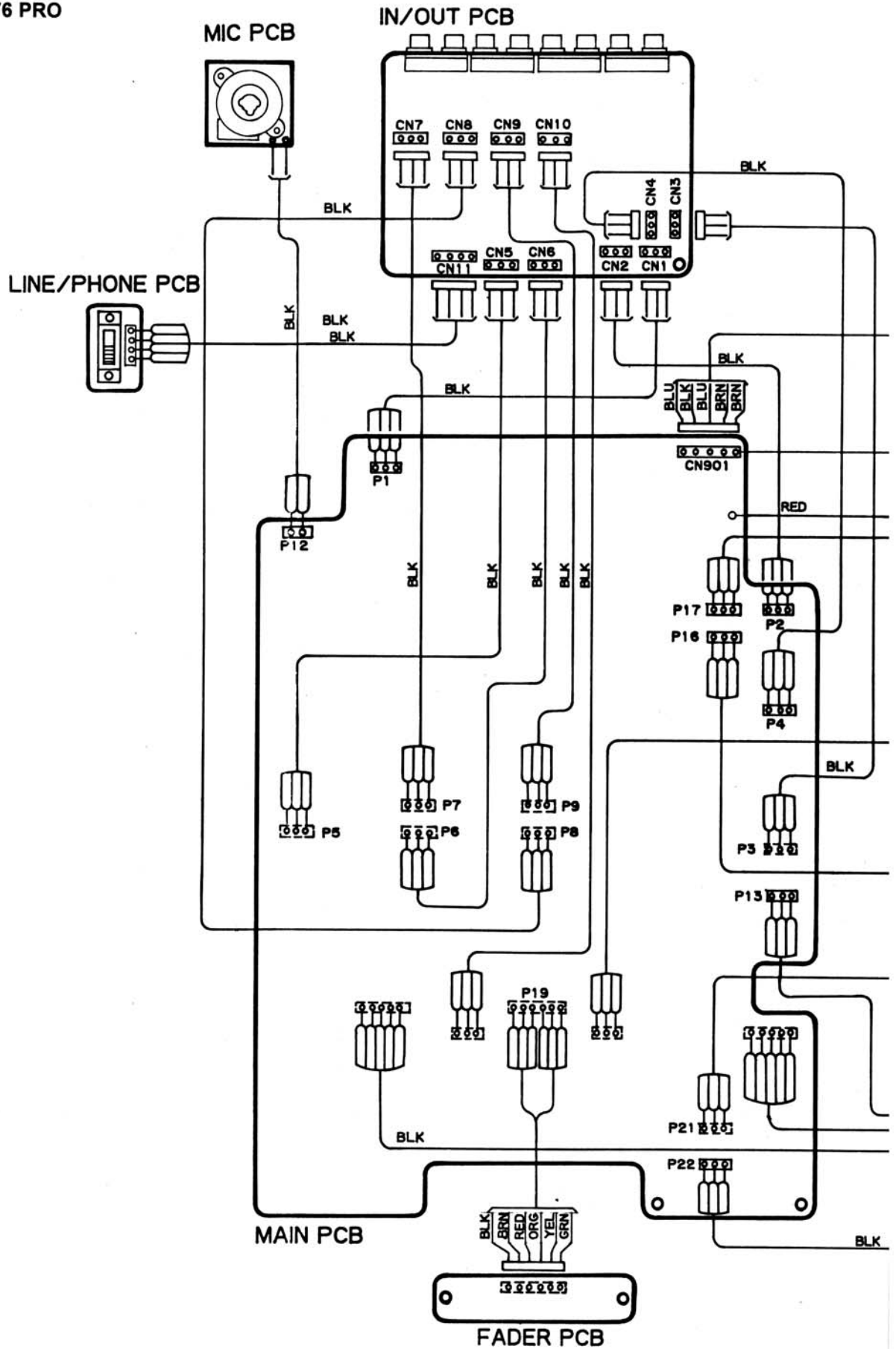
- 1. OUT
- 2. IN
- 3. COMMON

(TO-220F)

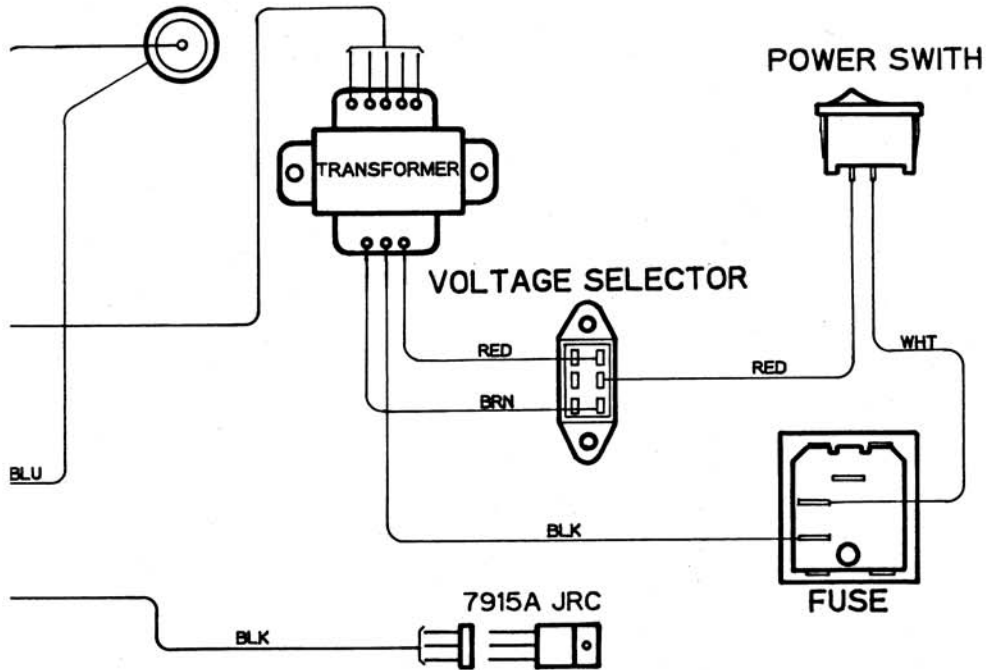


WIRING DIAGRAM

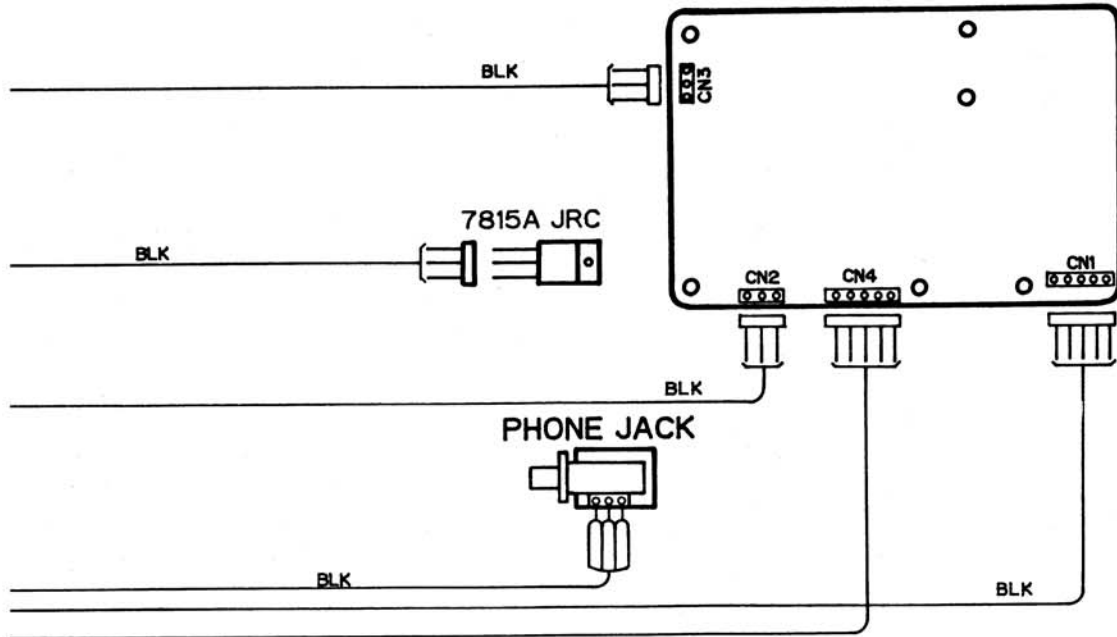
PS-626 PRO / PS-676 PRO



BNC LIGHT JACK TRANSFORMER



SAMPLE PCB (PS-676 ONLY)

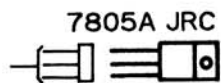


NOTE:

1. The actual colors of wires may differ from those of this diagram.

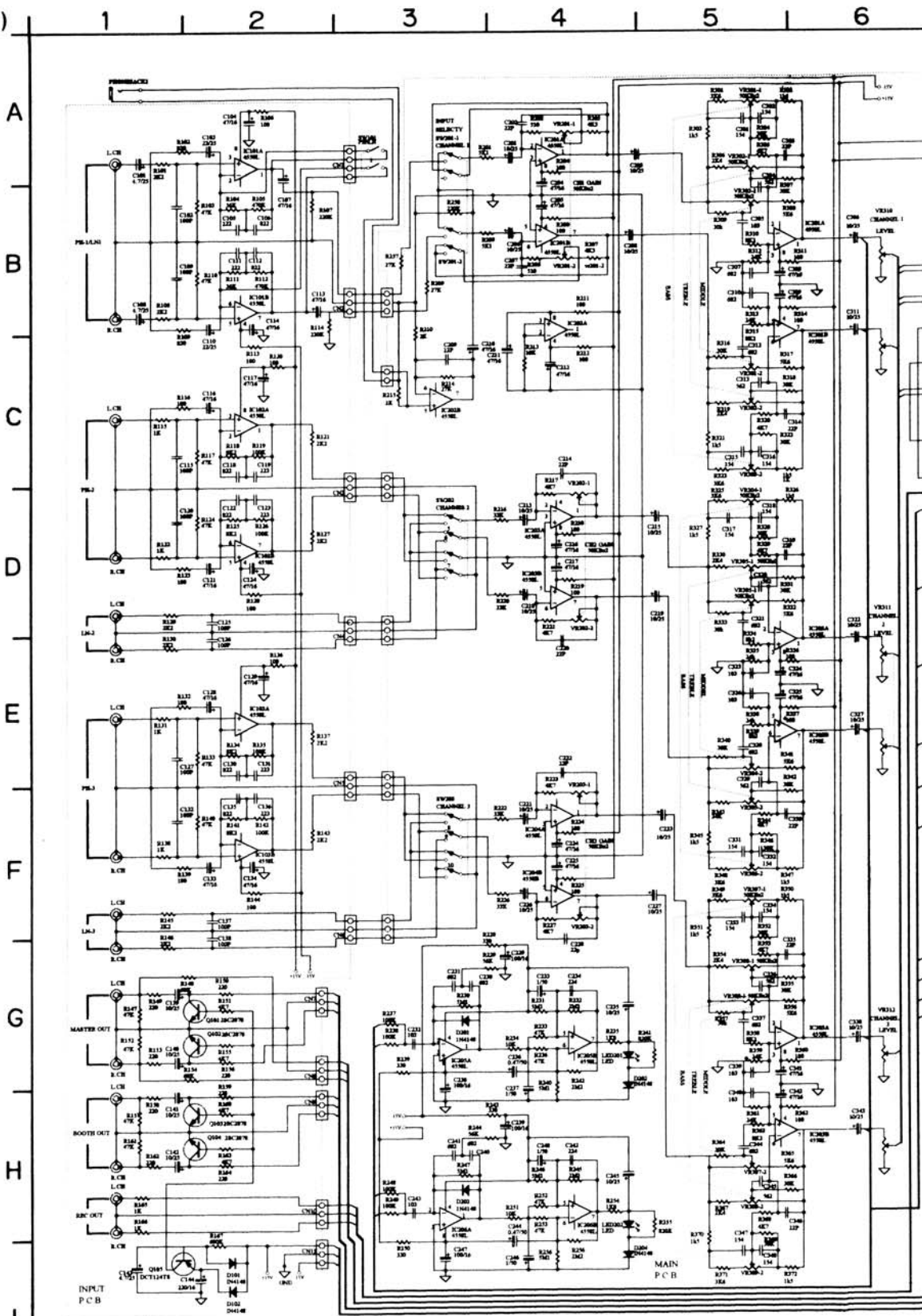
Wire colors are abbreviated as follows.

BRN..... Brown	YEL..... Yellow
VLT..... Violet	RED..... Red
GRN..... Green	GRY..... Gray
ORG..... Orange	BLU..... Blue
WHT..... White	BLK..... Black



SCHEMATIC DIAGRAM

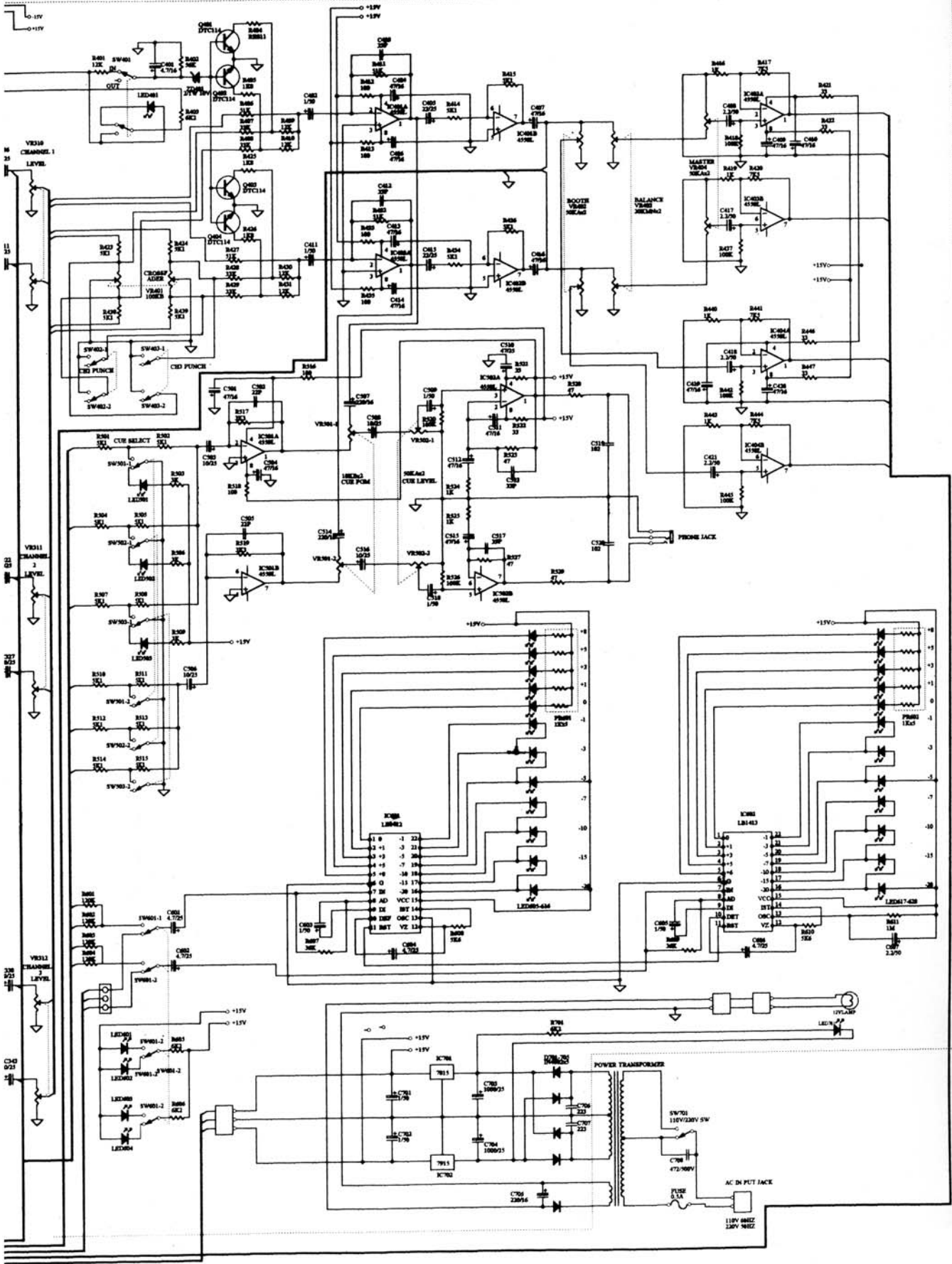
(PS-626 PRO)



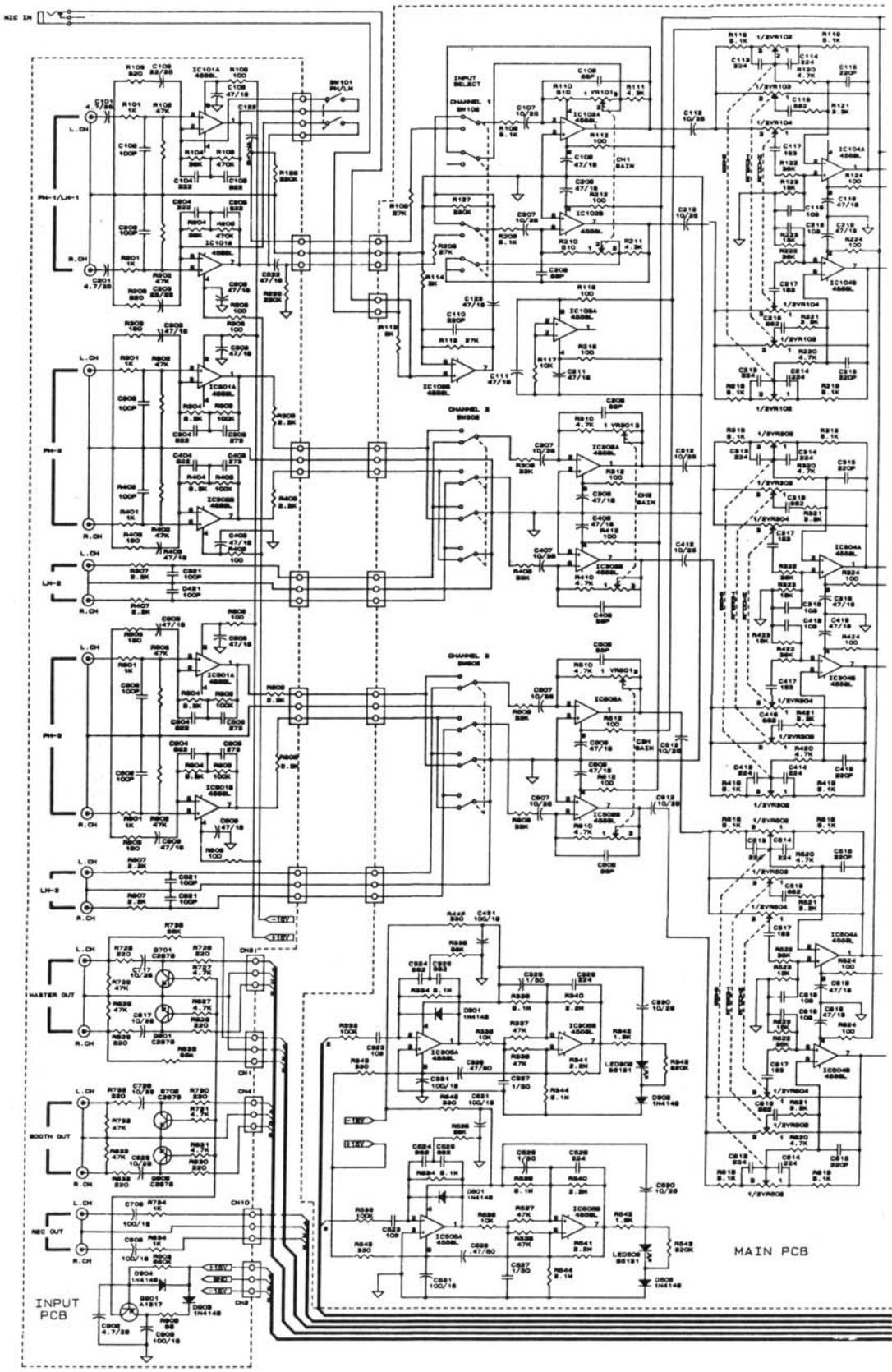
NOTES:
 1. C and R unit
 C No symbol: μF
 P symbol: μF
 Capacitor without voltage display has work voltage of 50Volts
 The NP is Nipolar Capacitor.

R No symbol: Ω
 K symbol: $\text{K}\Omega$
 M symbol: $\text{M}\Omega$
 Resistance not designated is 1/8W, J 05%
 2. Voltage for all parts are measured in terms of DC 1M Ω digital voltmeter.

3. All resistance values are in ohms, unless otherwise specified. 1K=1000
 4. All capacitance values are in farads, unless otherwise specified.
 $\mu = 10^{-6}$ P=10⁻¹²



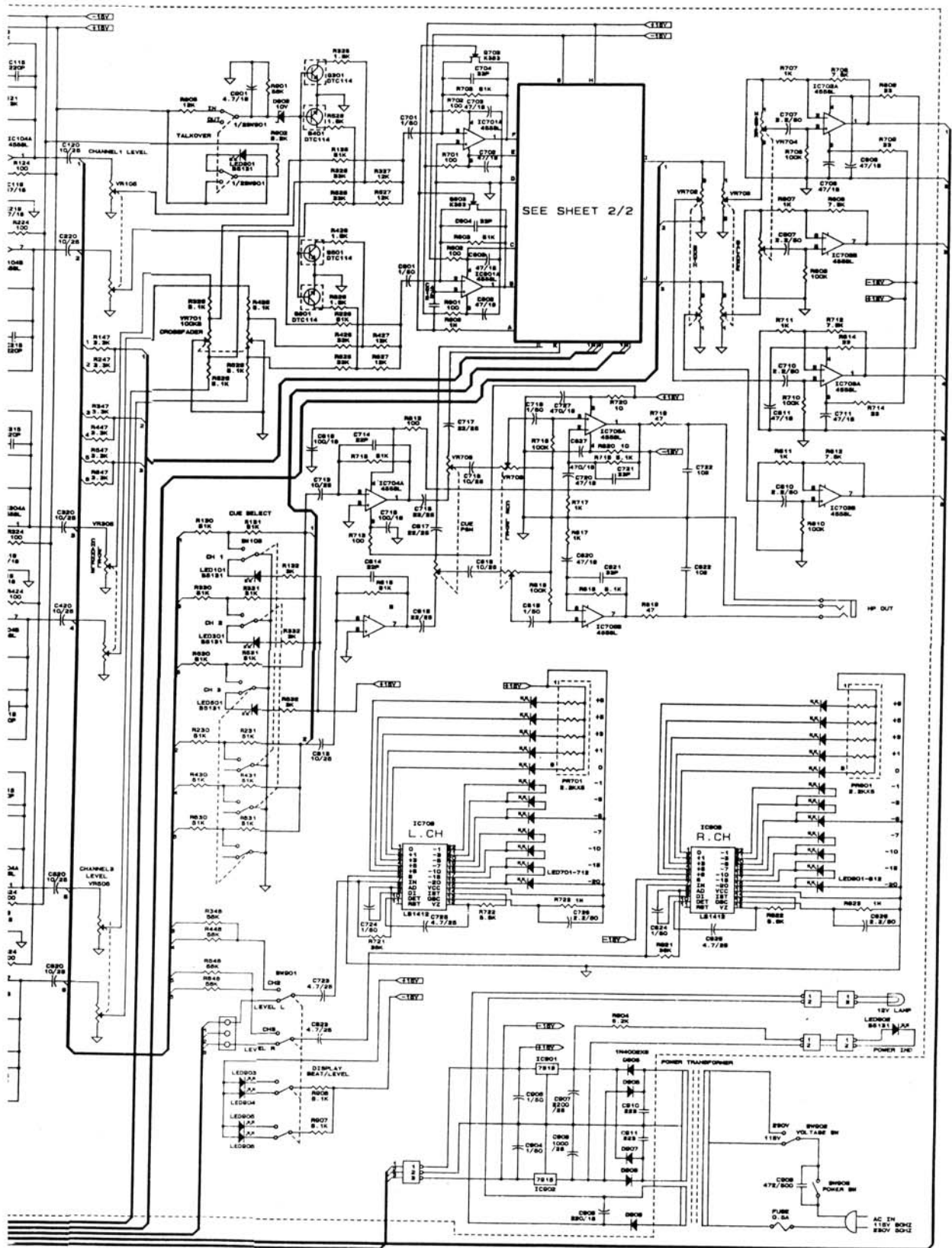
A
B
C
D
E
F
G
H
I

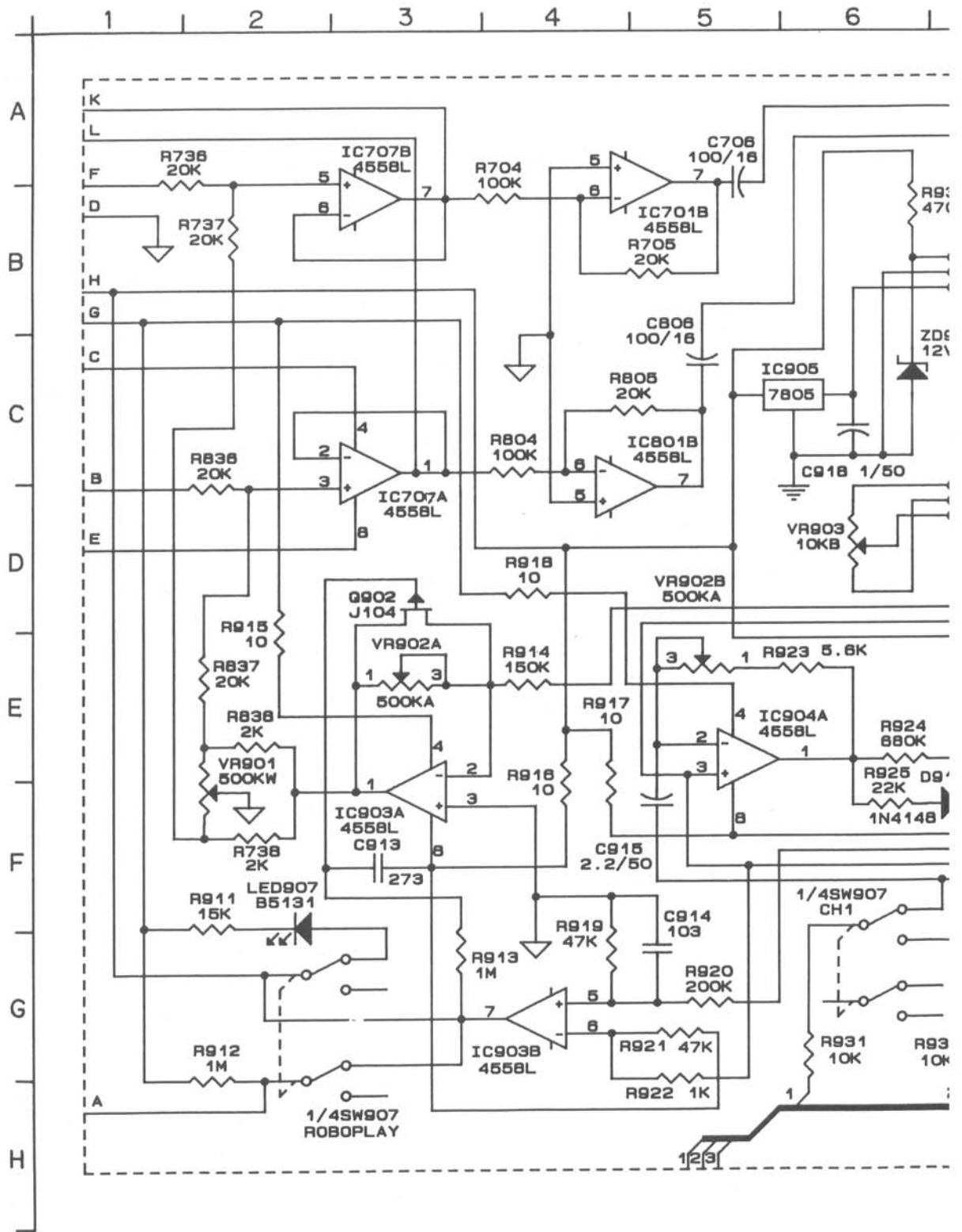


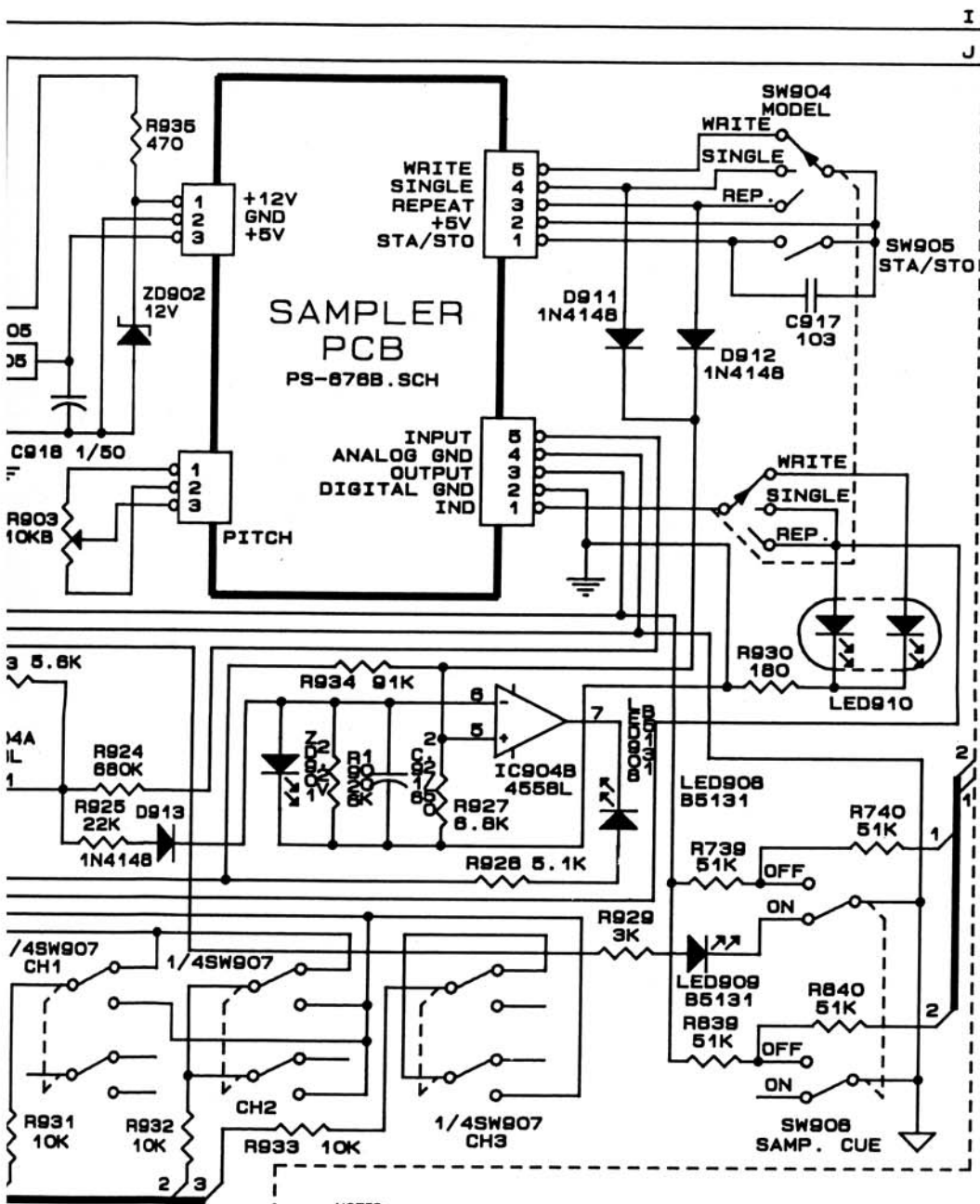
NOTES:
 1. C and R unit
 C No symbol: μ F
 P symbol: pF
 Capacitor without voltage display has work voltage of 50Volts
 The NP is Nonpolar Capacitor.

R No symbol: Ω
 K symbol: K Ω
 M symbol: M Ω
 Resistance not designated is 1/4 W J (\pm 5%)

2. Voltage for all parts are measured in terms of DC 1M Ω digital voltmeter.
 3. All resistance values are in ohms, unless otherwise specified. 1K=1000
 4. All capacitance values are in farads, unless otherwise specified.
 $\mu = 10^{-6}$ P=10⁻¹²







NOTES:

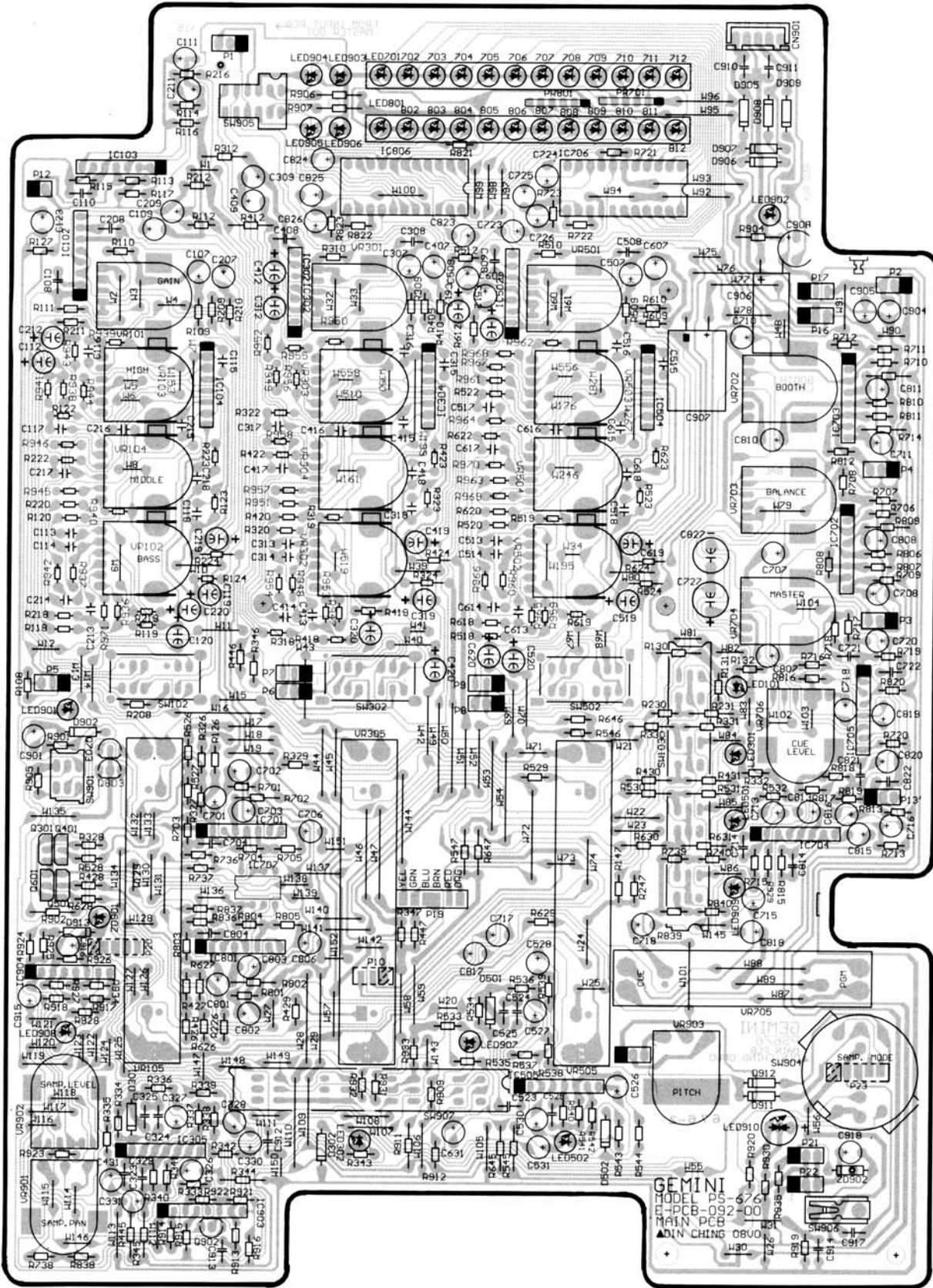
1. C and R unit
 C No symbol : μF
 P symbol : pF
 Capacitor without voltage display has work voltage of 50Volts
 The NP is Nonpolar Capacitor .
 R No symbol : Ω
 K symbol : $\text{K}\Omega$
 M symbol : $\text{M}\Omega$
 Resistance not designated is 1/4W.J ($\pm 5\%$)

2. Voltage for all parts are measured in terms of DC 1M Ω digital voltmeter.
3. All resistance values are in ohms, unless otherwise specified. 1K = 1000
4. All capacitance values are in farads, unless otherwise specified.
 $\mu = 10^{-6}$ $\text{P} = 10^{-12}$

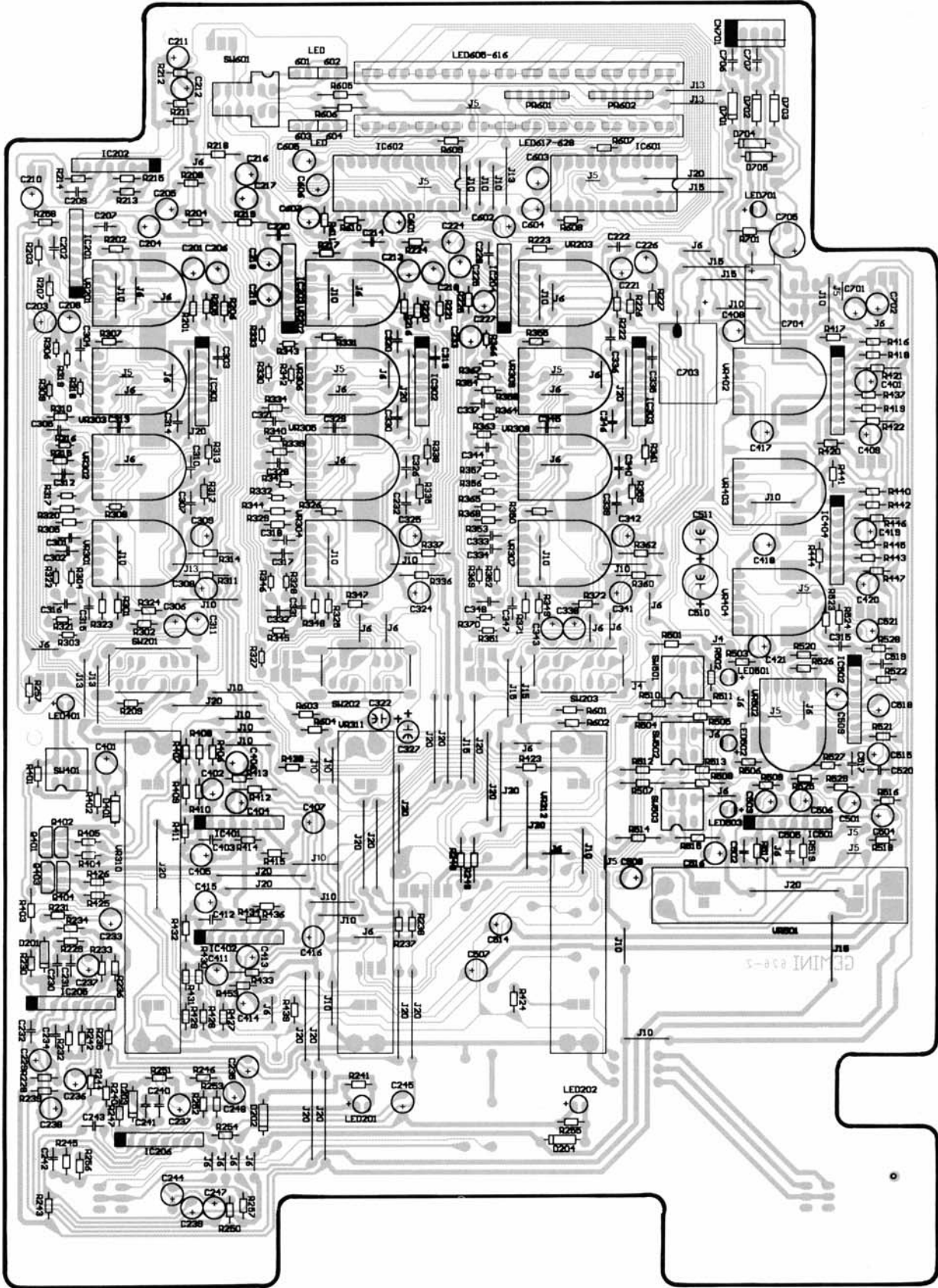
PRINTED CIRCUIT BOARDS

PS-626 PRO / PS-676 PRO

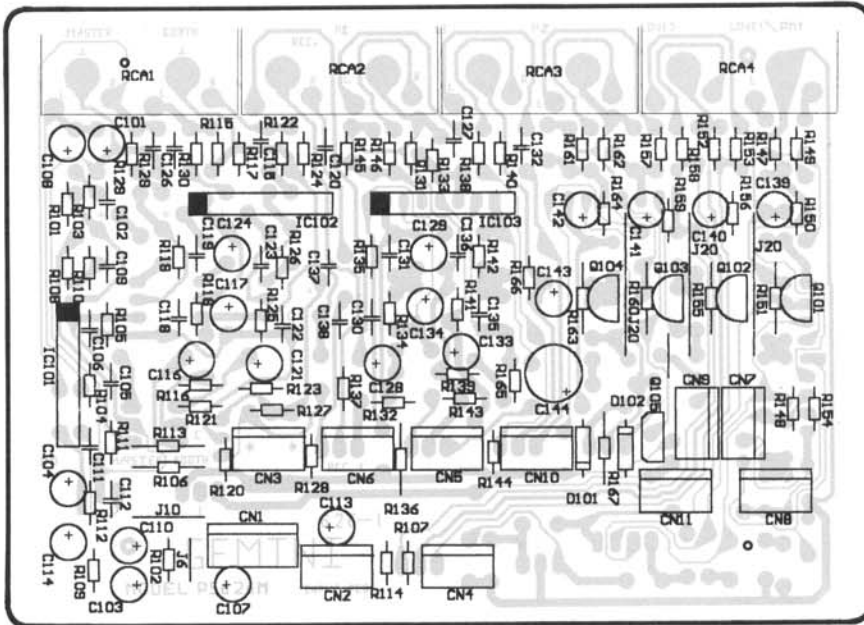
MAIN PCB(PS-676 PRO)



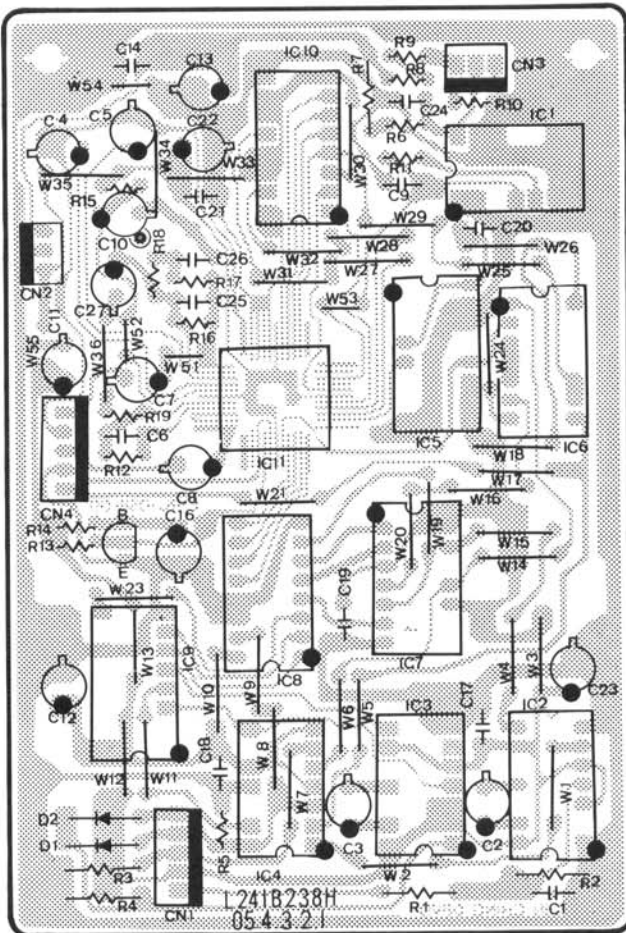
MAIN PCB(PS-626 PRO)



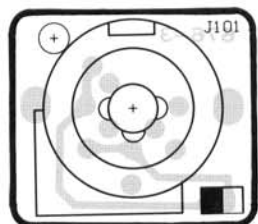
IN/OUT PCB



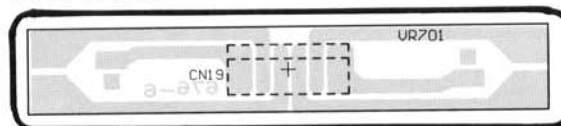
SAMPLE PCB(PS-676 PRO ONLY)



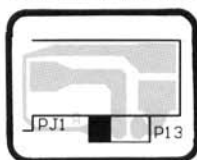
MIC PCB



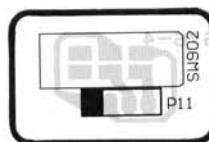
FADER PCB



PHONE JACK PCB

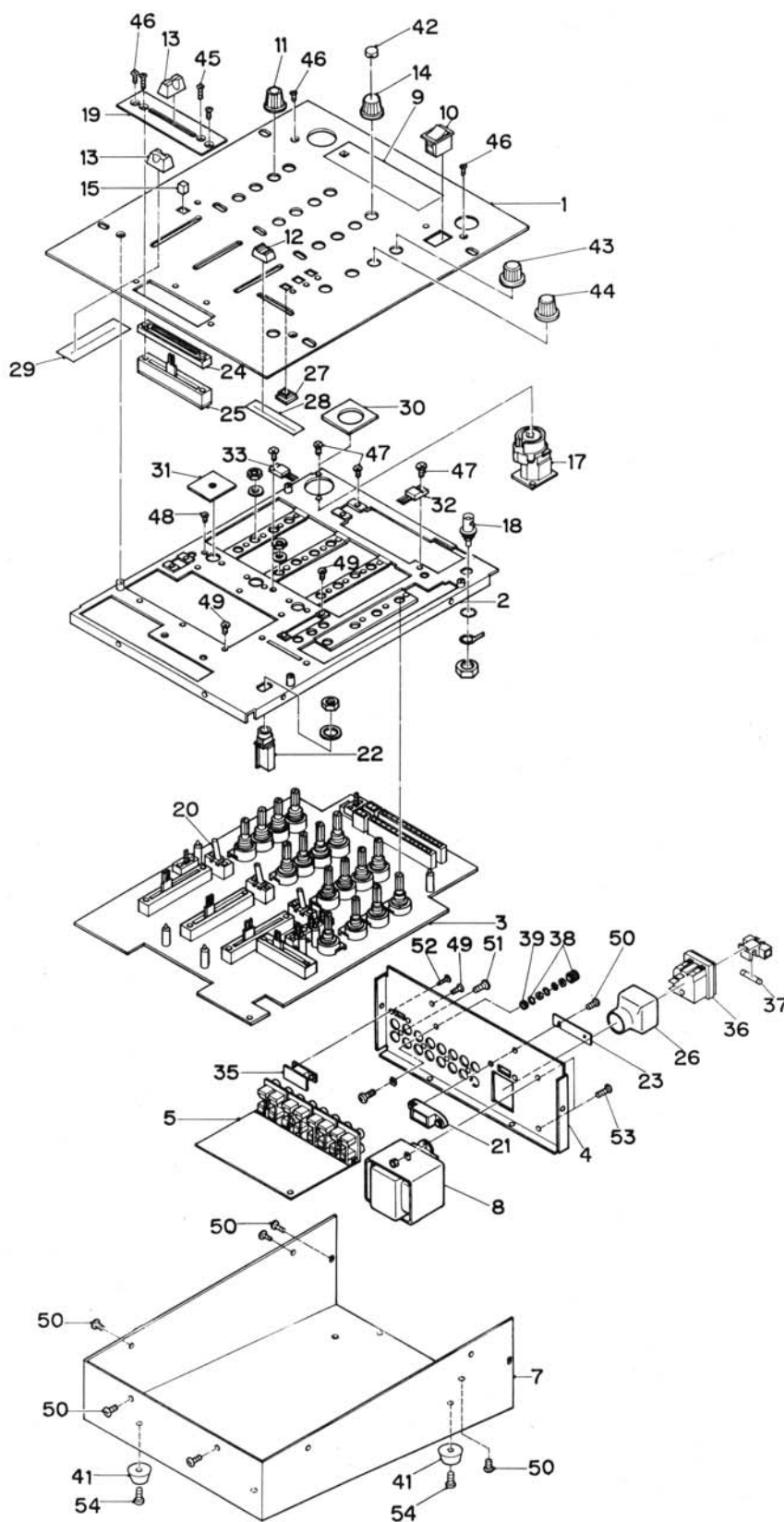


LINE / PHONO SW PCB

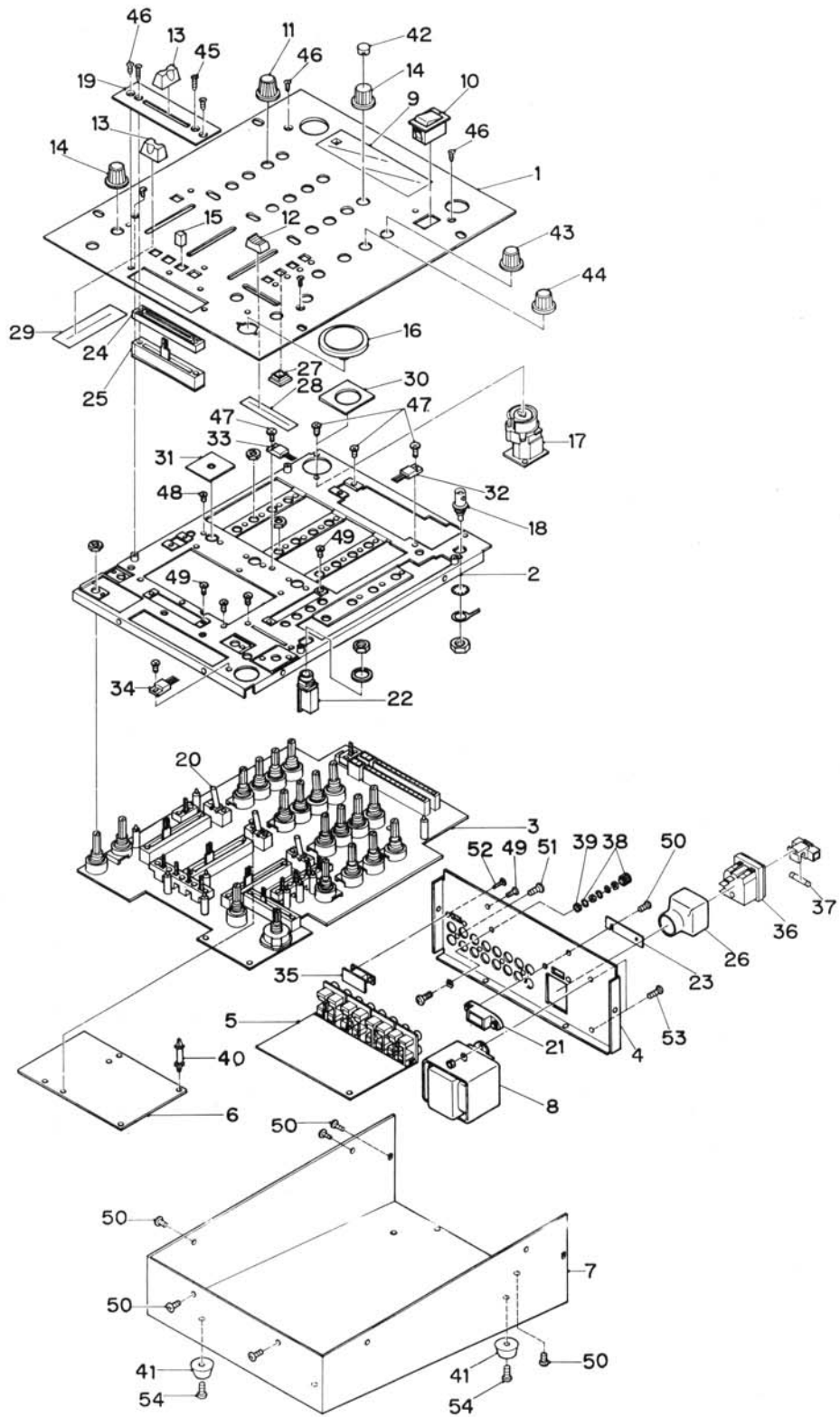


EXPLODED VIEW OF CABINET

PS-626 PRO



PS-676 PRO



CABINET PARTS LIST

Symbol No.	Parts No.	Description
1	002-163	PANEL CONTROL (PS-626 PRO)
1	002-173	PANEL CONTROL (PS-676 PRO)
2	021-744	BRACKET VR (PS-626 PRO)
2	021-748	BRACKET VR (PS-676 PRO)
3	162-824	MAIN PCB (PS-626 PRO)
3	162-873	MAIN PCB (PS-676 PRO)
4	021-889	PANEL REAR (PS-626 PRO)
4	021-918	PANEL REAR (PS-676 PRO)
5	162-823	IN / OUT PCB
6	162-878	SAMPLE PCB (PS-676 PRO)
7	021-277	COVER BOTTOM (PS-626 PRO)
7	021-309	COVER BOTTOM (PS-676 PRO)
8	059-166	POWER TRANSFORMER (110V / 220V)
8	059-167	POWER TRANSFORMER (100V)
9	003-362	PLATE LED (PS-676 PRO)
9	003-360	PLATE LED (PS-626 PRO)
10	083-099	POWER SWITCH
11	148-239	KNOB INLAY (GRAY)
12	002-703	KNOB SLIDE (SMALL)
13	002-704	KNOB SLIDE (BIG)
14	003-110	KNOB ROTARY (B)
15	002-531	KNOB PUSH (SMALL)
16	002-545	KNOB SET (PS-676 PRO)
17	092-078	PHONE JACK
18	092-059	BNC CONNECTOR (FEMALE) 12V LAMP
19	022-322	HOLDER X-FADER
20	023-674	SWING LEVEL (LONG)
21	022-305	PROTECTOR PLATE FOR 115 / 230V SWITCH
22	162-876	HEAD PHONE JACK
23	022-305	SWITCH PROTECT PLATE
24	003-970	VR INLAY
25	072-081	SLIDE VR
26		HEAT SHRINK TUBE
27	002-532	BUSHING FOR KNOB (SMALL)
28	159-167	VR DUST PROOF CLOTH (SMALL)
29	159-171	VR DUST PROOF CLOTH
30	003-548	SPACER
31	159-168	SWING DUST PROOF CLOTH
32	074-089	IC NJM 7805A
33	074-088	IC NJM 7815FA
34	074-074	IC NJM 7905A
35	081-004	SLIDE SWITCH
36	092-105	POWER IN PUT JACK
37	100-050	FUSE 0.5A AC 250V
38	146-710	GND SCREW
39	131-081	NUT / WASHER
40	047-480	PCB SUPPORT (PS-676 PRO)
41	049-189	PAD FOOT
42	148-238	KNOB INLAY (RED)
43	148-237	KNOB INLAY (ORANGE)
44	148-236	KNOB INLAY (BLACK)
45	111-049A	SCREW FTS-3 3x12 (AB)

Symbol No.	Parts No.	Description
46	111-043A	SCREW FTS-3 3x6 (AB)
47	111-051A	SCREW BTS-3 3x5 (AB)
48	102-025	SCREW PMS 2.6x4 (B)
49	107-015	SCREW BMS 3x2x4 (Y)
50	111-051A	SCREW BTS-3 3x5 (AB)
51	110-172A	SCREW BTS-2 / TWIN 3x8 (AB)
52	102-007	SCREW PMS 2x4 (B)
53	111-044A	SCREW BTS-3 3x10 (AB)
54	110-168	SCREW FTS-3 3x6 (AB)

PARTS LIST

Symbol No.	Parts No.	Description
Diodes		
D1	079-003	SILICON DIODE 1N4148
D2	079-003	SILICON DIODE 1N4148
D102	079-003	SILICON DIODE 1N4148
D101	079-003	SILICON DIODE 1N4148
D301	079-003	SILICON DIODE 1N4148
D302	079-003	SILICON DIODE 1N4148
D501	079-003	SILICON DIODE 1N4148
D502	079-003	SILICON DIODE 1N4148
D902	079-025	ZENER DIODE 1/2W10V
D905	079-027	RECTIFIER DIODE 1N4002
D906	079-027	RECTIFIER DIODE 1N4002
D907	079-027	RECTIFIER DIODE 1N4002
D908	079-027	RECTIFIER DIODE 1N4002
D909	079-027	RECTIFIER DIODE 1N4002
D911	079-003	SILICON DIODE 1N4148
D912	079-003	SILICON DIODE 1N4148
D913	079-003	SILICON DIODE 1N4148
LED101	080-091	LIGHT EMITTING DIODE (RED)3.15
LED301	080-091	LIGHT EMITTING DIODE (RED)3.15
LED302	080-091	LIGHT EMITTING DIODE (RED)3.15
LED501	080-091	LIGHT EMITTING DIODE (RED)3.15
LED502	080-091	LIGHT EMITTING DIODE (RED)3.15
LED701	080-077	LIGHT EMITTING DIODE (GREEN)2.5x5
LED702	080-077	LIGHT EMITTING DIODE (GREEN)2.5x5
LED703	080-077	LIGHT EMITTING DIODE (GREEN)2.5x5
LED704	080-077	LIGHT EMITTING DIODE (GREEN)2.5x5
LED705	080-077	LIGHT EMITTING DIODE (GREEN)2.5x5
LED706	080-077	LIGHT EMITTING DIODE (GREEN)2.5x5
LED707	080-077	LIGHT EMITTING DIODE (GREEN)2.5x5
LED708	080-076	LIGHT EMITTING DIODE (YELLOW)2.5x5
LED709	080-076	LIGHT EMITTING DIODE (YELLOW)2.5x5
LED710	080-075	LIGHT EMITTING DIODE (RED)2.5x5
LED711	080-075	LIGHT EMITTING DIODE (RED)2.5x5
LED712	080-075	LIGHT EMITTING DIODE (RED)2.5x5
LED801	080-077	LIGHT EMITTING DIODE (GREEN)2.5x5
LED802	080-077	LIGHT EMITTING DIODE (GREEN)2.5x5
LED803	080-077	LIGHT EMITTING DIODE (GREEN)2.5x5
LED804	080-077	LIGHT EMITTING DIODE (GREEN)2.5x5
LED805	080-077	LIGHT EMITTING DIODE (GREEN)2.5x5
LED806	080-077	LIGHT EMITTING DIODE (GREEN)2.5x5
LED807	080-077	LIGHT EMITTING DIODE (GREEN)2.5x5
LED808	080-076	LIGHT EMITTING DIODE (YELLOW)2.5x5
LED809	080-076	LIGHT EMITTING DIODE (YELLOW)2.5x5
LED810	080-075	LIGHT EMITTING DIODE (RED)2.5x5
LED811	080-075	LIGHT EMITTING DIODE (RED)2.5x5
LED812	080-075	LIGHT EMITTING DIODE (RED)2.5x5
LED901	080-091	LIGHT EMITTING DIODE (RED)3.15
LED902	080-091	LIGHT EMITTING DIODE (RED)3.15
LED903	080-090	LIGHT EMITTING DIODE (GREEN)5x5
LED904	080-090	LIGHT EMITTING DIODE (GREEN)5x5
LED905	080-090	LIGHT EMITTING DIODE (GREEN)5x5
LED906	080-090	LIGHT EMITTING DIODE (GREEN)5x5
LED907	080-091	LIGHT EMITTING DIODE (RED)3.15
LED908	080-091	LIGHT EMITTING DIODE (RED)3.15
LED909	080-091	LIGHT EMITTING DIODE (RED)3.15
LED910	080-088	LIGHT EMITTING DIODE (5φ5N5H)

Symbol No.	Parts No.	Description
ICs		
IC1	074-123	IC TC4077BP
IC2	074-121	IC SN74LS122N
IC3	074-121	IC SN74LS122N
IC4	074-122	IC SN74LS73AN
IC5	074-120	IC SN74LS193N
IC6	074-119	IC SN74LS00N
IC7	074-120	IC SN74LS193N
IC8	074-125	IC N82S129AN
IC9	074-124	IC SN74LS148N
IC10	074-097	IC M6389
IC11	074-096	IC M6388
IC101	074-104	IC NJM4558L
IC102	074-104	IC NJM4558L
IC103	074-104	IC NJM4558L
IC104	074-104	IC NJM4558L
IC302	074-104	IC NJM4558L
IC304	074-104	IC NJM4558L
IC305	074-104	IC NJM4558L
IC502	074-104	IC NJM4558L
IC504	074-104	IC NJM4558L
IC505	074-104	IC NJM4558L
IC701	074-104	IC NJM4558L
IC702	074-104	IC NJM4558L
IC703	074-104	IC NJM4558L
IC704	074-104	IC NJM4558L
IC705	074-104	IC NJM4558L
IC706	074-111	IC LB1412
IC707	074-113	IC NJM4556L
IC801	074-104	IC NJM4558L
IC806	074-111	IC LB1412
IC903	074-104	IC NJM4558L
IC904	074-104	IC NJM4558L
Transistor		
Q101	076-095	TRANSISTOR 2SC2878
Q102	076-095	TRANSISTOR 2SC2878
Q103	076-095	TRANSISTOR 2SC2878
Q104	076-095	TRANSISTOR 2SC2878
Q105	076-104	TRANSISTOR 2SC945
Q301	076-094	TRANSISTOR DTC114
Q401	076-094	TRANSISTOR DTC114
Q501	076-094	TRANSISTOR DTC114
Q601	076-094	TRANSISTOR DTC114
Q802	076-096	TRANSISTOR 2SK363
Q803	076-096	TRANSISTOR 2SK363
Q902	076-107	TRANSISTOR 2SJ104

Symbol No.	Parts No.	Description
Electrical Parts		
P13	092-090	PHONE JACK 6.3 ϕ x XLR
SW102	082-019	LEVER SWITCH 4P2C
SW103	083-094	4KEY PUSH SWITCH 2P2C L=12.5 P=15MM
SW302	082-019	LEVER SWITCH 4P2C
SW502	082-019	LEVER SWITCH 4P2C
SW901	083-069	PUSH SWITCH 2P2C
VR101	071-103	ROTARY VR16 ϕ L=20 50KBx2
VR102	071-145	ROTARY VR16 ϕ L=20 50KEx2C.C
VR103	071-145	ROTARY VR16 ϕ L=20 50KEx2C.C
VR104	071-145	ROTARY VR16 ϕ L=20 50KEx2C.C
VR105	072-091	SLIDE VR45MM L=2010KAx2
VR301	071-103	ROTARY VR16 ϕ L=20 50KBx2
VR302	071-145	ROTARY VR16 ϕ L=20 50KEx2C.C
VR303	071-145	ROTARY VR16 ϕ L=20 50KEx2C.C
VR304	071-145	ROTARY VR16 ϕ L=20 50KEx2C.C
VR305	072-091	SLIDE VR45MM L=2010KAx2
VR501	071-103	ROTARY VR16 ϕ L=20 50KBx2
VR502	071-145	ROTARY VR16 ϕ L=20 50KEx2C.C
VR503	071-145	ROTARY VR16 ϕ L=20 50KEx2C.C
VR504	071-145	ROTARY VR16 ϕ L=20 50KEx2C.C
VR505	072-091	SLIDE VR45MM L=2010KAx2
VR702	071-084	ROTARY VR16 ϕ L=20 50KAx2
VR703	071-084	ROTARY VR16 ϕ L=20 50KAx2
VR704	071-084	ROTARY VR16 ϕ L=20 50KAx2
VR706	071-136	ROTARY VR16 ϕ L=20 20KMNx2C.C
VR901	071-101	ROTARY VR16 ϕ L=20 10KBC.C
VR902	071-101	ROTARY VR16 ϕ L=20 10KBC.C
VR903	071-158	ROTARY VR16 ϕ L=20 500KAx2
Packing		
101	157-812	OWNER'S MANUAL (PS-626 PRO)
101	157-839	OWNER'S MANUAL (PS-676 PRO)
102	155-940	GIFT BOX (PS-626 PRO)
102	155-961	GIFT BOX (PS-676 PRO)
103	153-161	POLY FORM
104	156-079	WARRANTY CARD (PS-626 PRO)
104	156-089	WARRANTY CARD (PS-676 PRO)