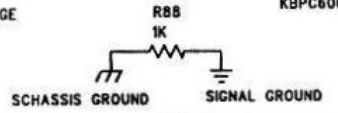
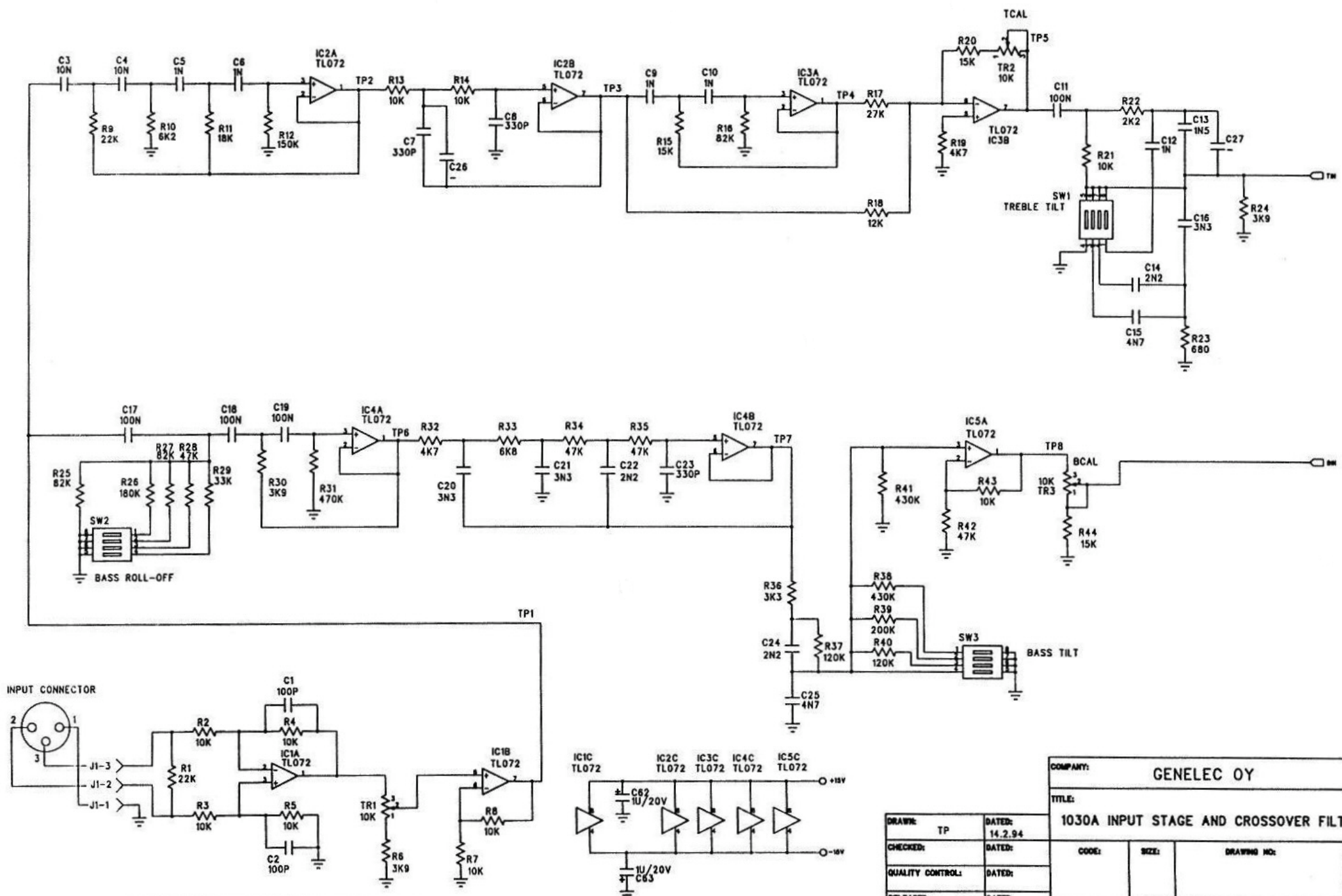


MAINS FUSE
T0.5A, 230V MAINS VOLTAGE
T1A, 115V MAINS VOLTAGE



COMPANY:		GENELEC OY			
TITLE:		1030A POWER AMPLIFIER AND PROTECTION CIRCUIT			
CODE:	SIZE:	DRAWING NO:		REV:	
				A	
SCALE:				SHEET: 2 OF 2	

DRAWN:	TP	DATED:	14.2.94
CHECKED:		DATED:	
QUALITY CONTROL:		DATED:	
RELEASED:		DATED:	



COMPANY: GENELEC OY				
TITLE: 1030A INPUT STAGE AND CROSSOVER FILTER				
DRAWN: TP	DATED: 14.2.94	CODE:	SIZE:	DRAWING NO:
CHECKED:	DATED:			REV: A
QUALITY CONTROL:	DATED:			
RELEASED:	DATED:			
SCALE:		SHEET: 1 OF 1		