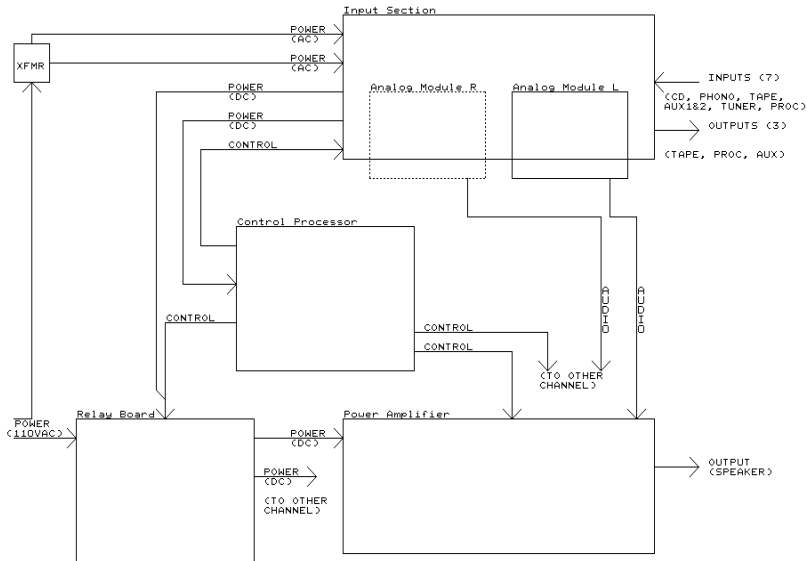
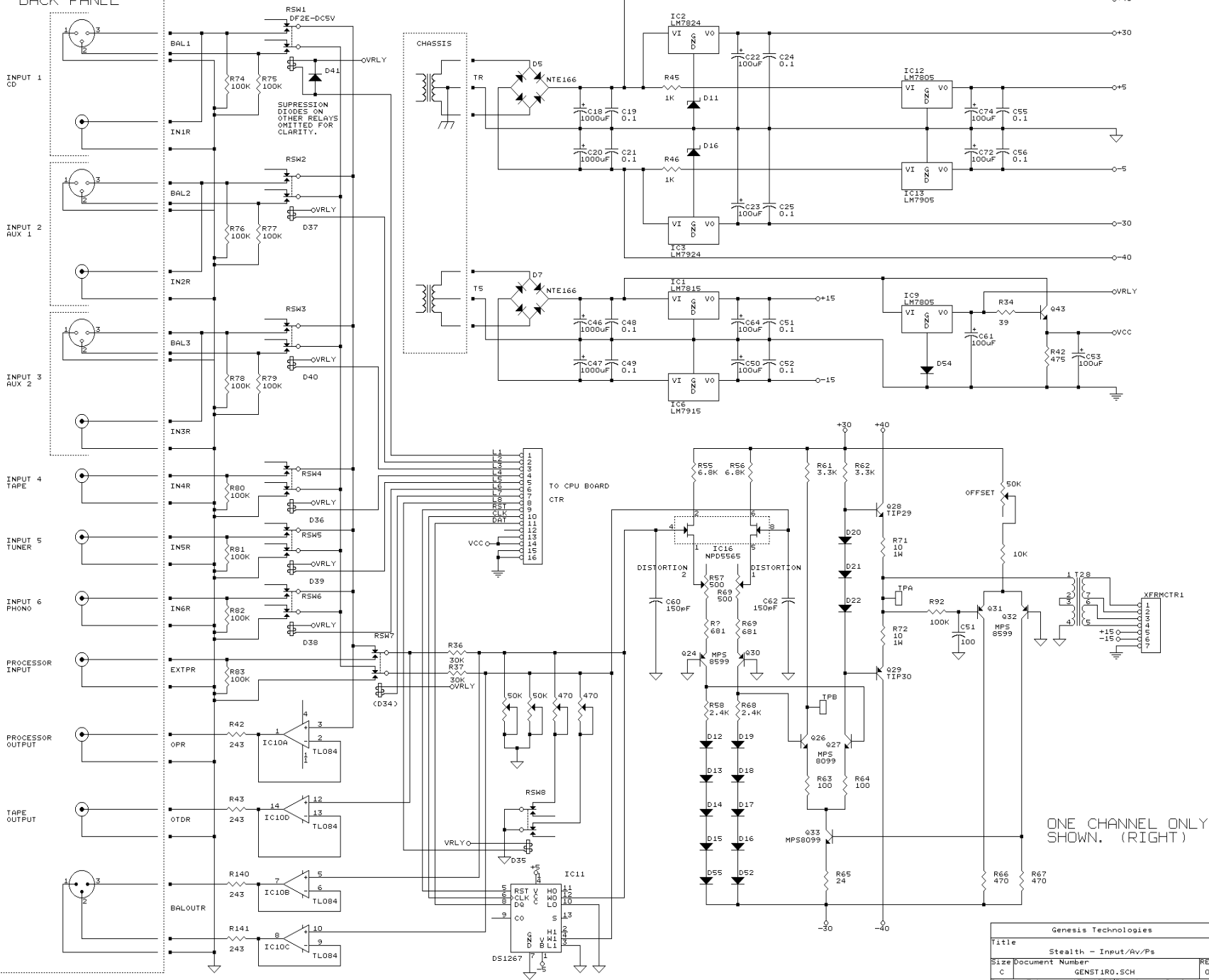


Genesis Technologies		
Title		
Stealth - Block Diagram		
Size	Document Number	REV
A	GENSTOR.SCH	0
Date:	May 4, 1995	Sheet 1 of 6

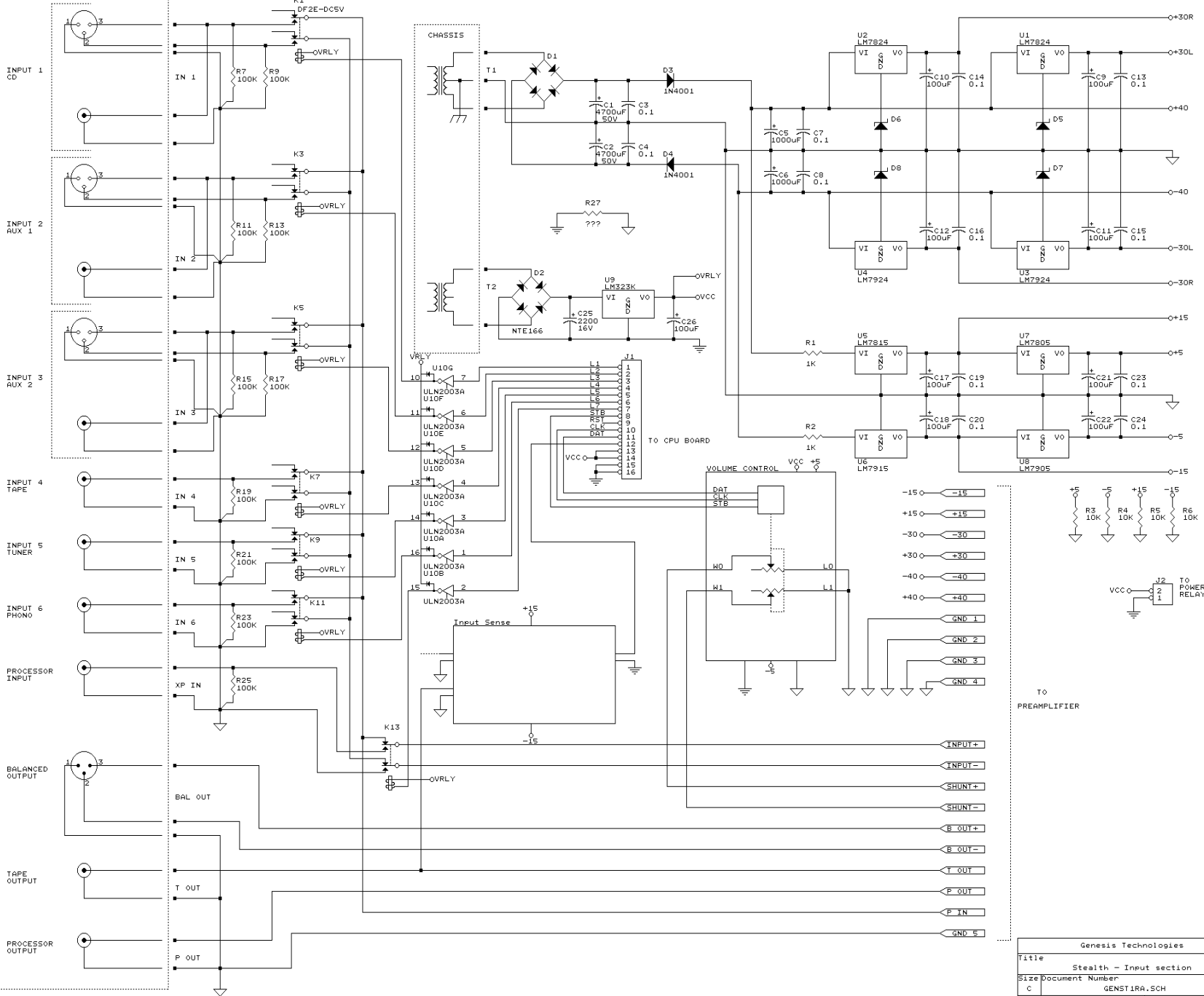


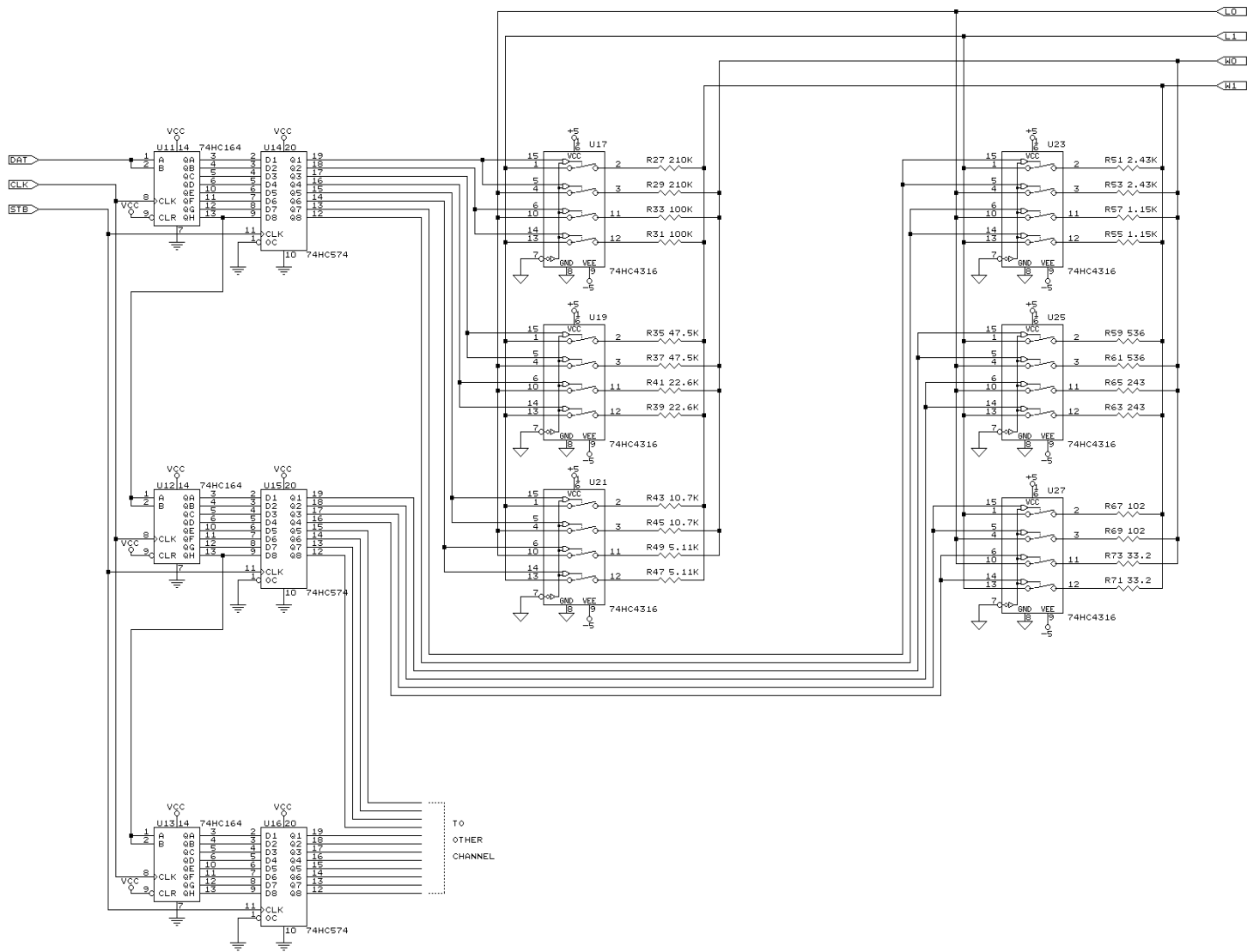
Genesis Technologies		
Title		
Stealth - Block Diagram		
Size Document Number		REV
A	GENSTORA.SCH	A
Date:	August 5, 1994	Sheet 1 of 7

BACK PANEL

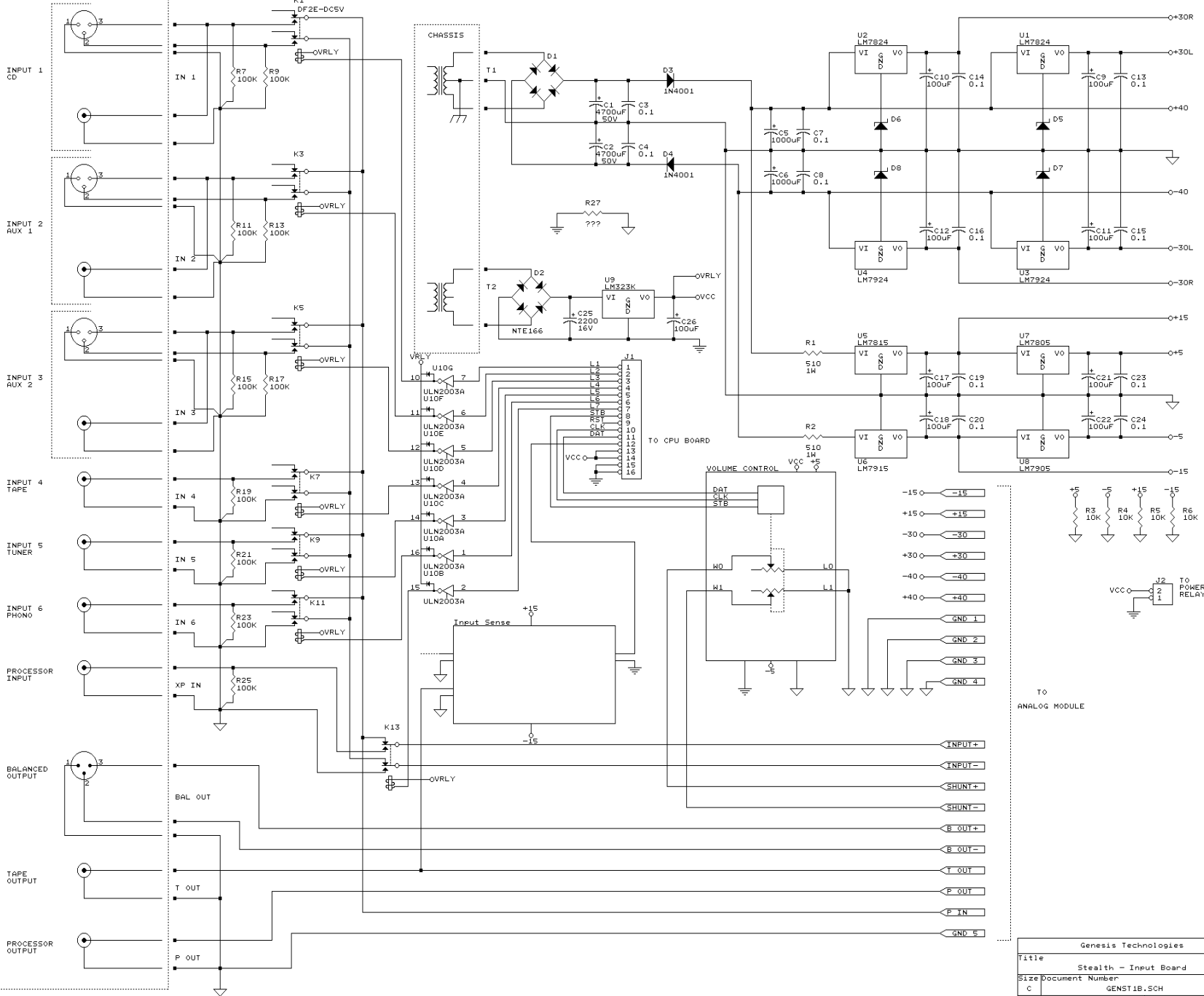


BACK PANEL

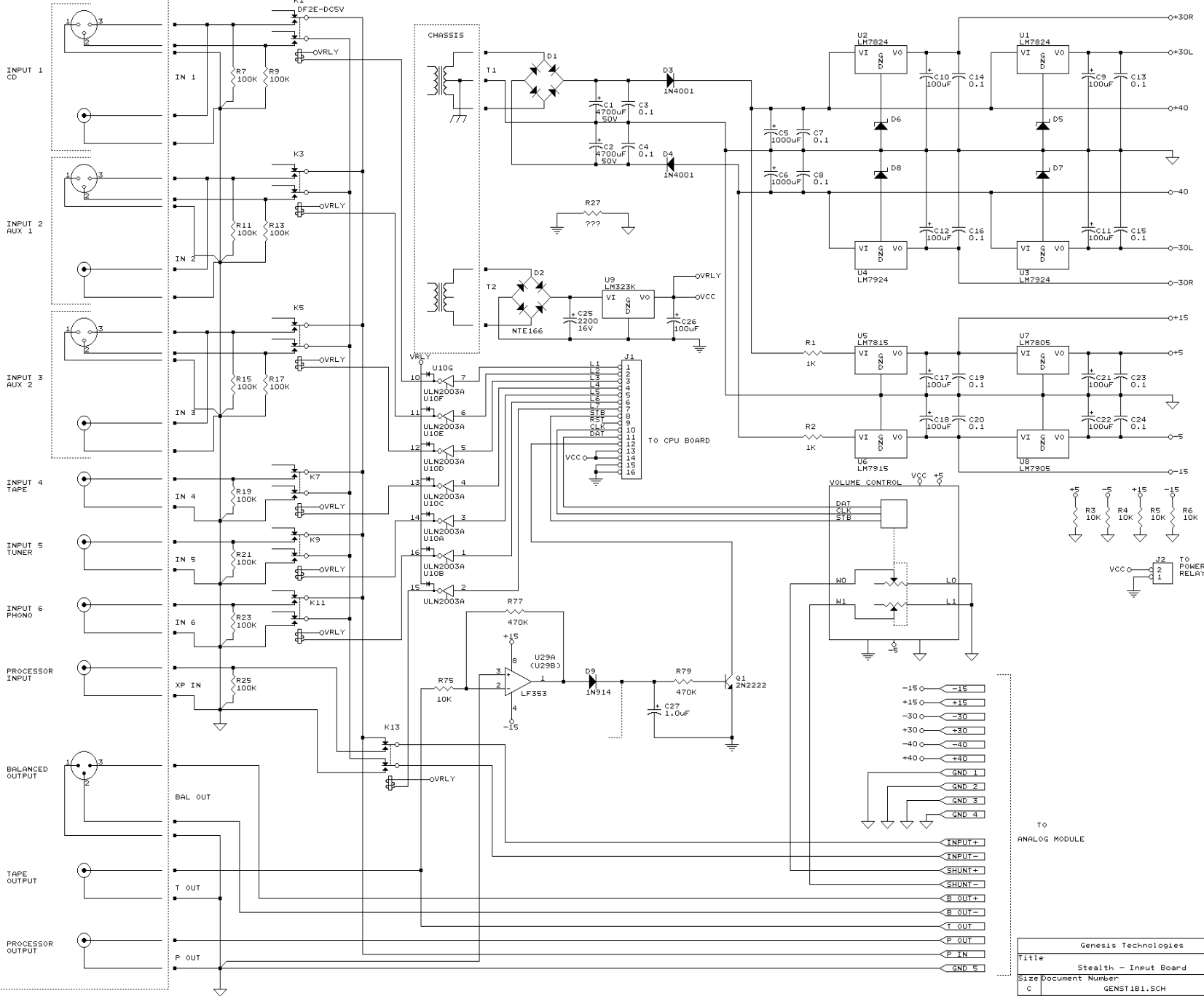


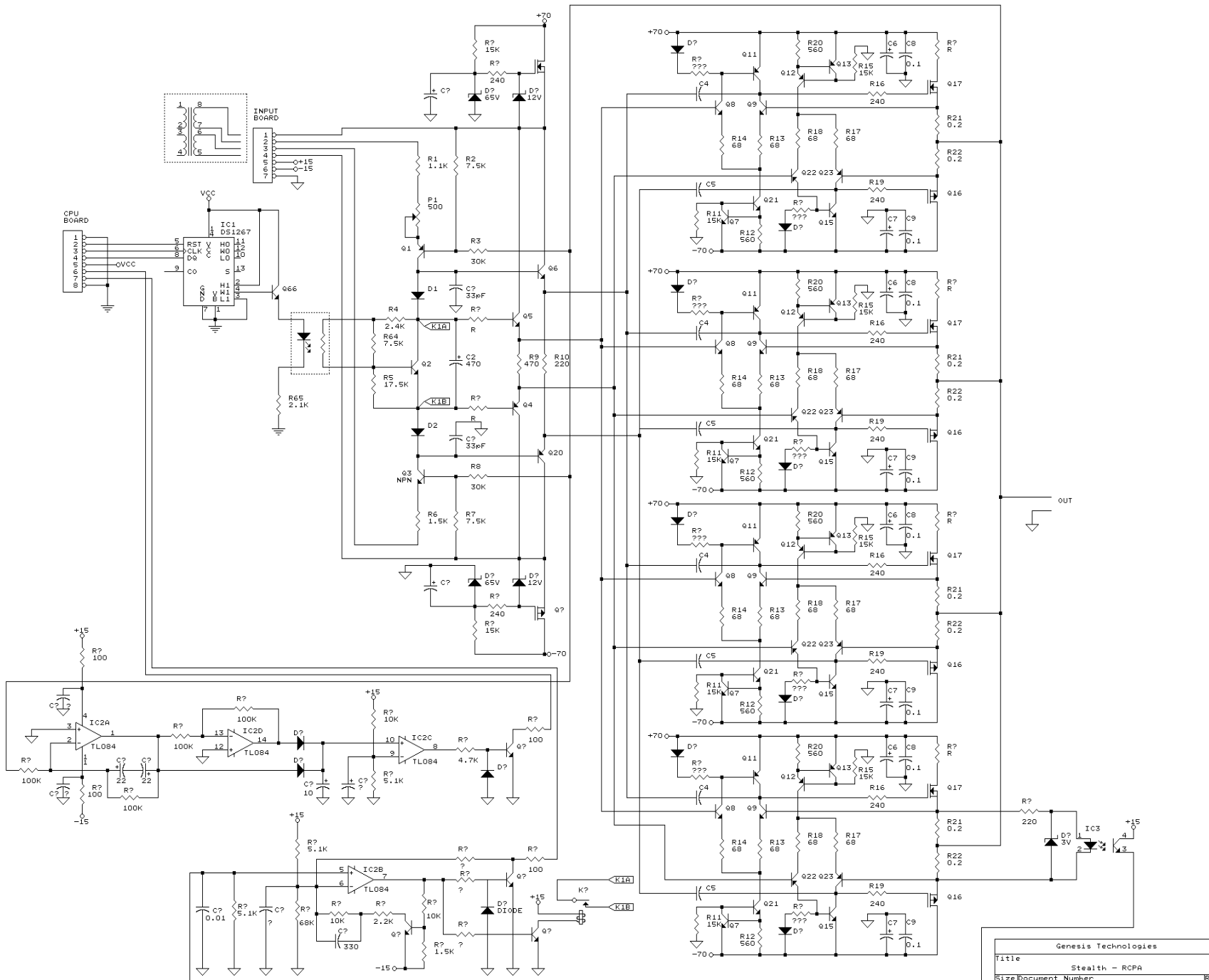


BACK PANEL

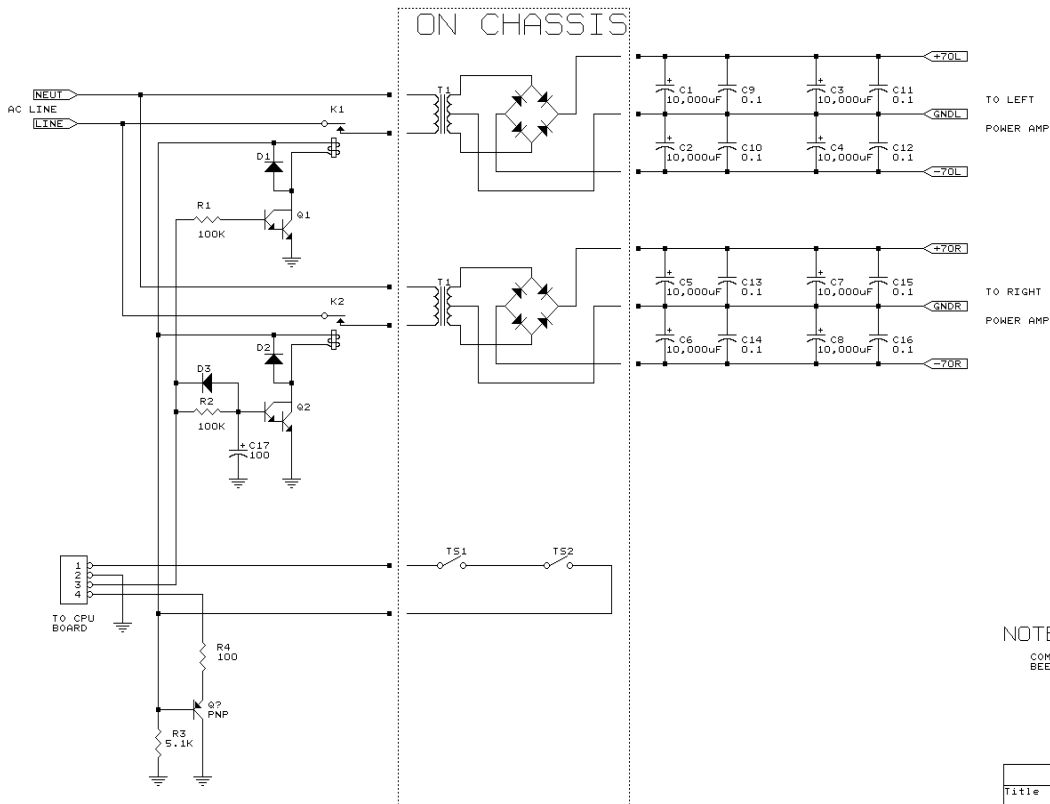


BACK PANEL







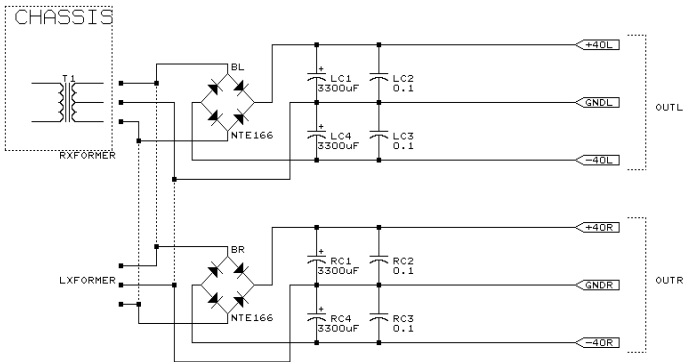


TO LEFT  
POWER AMP

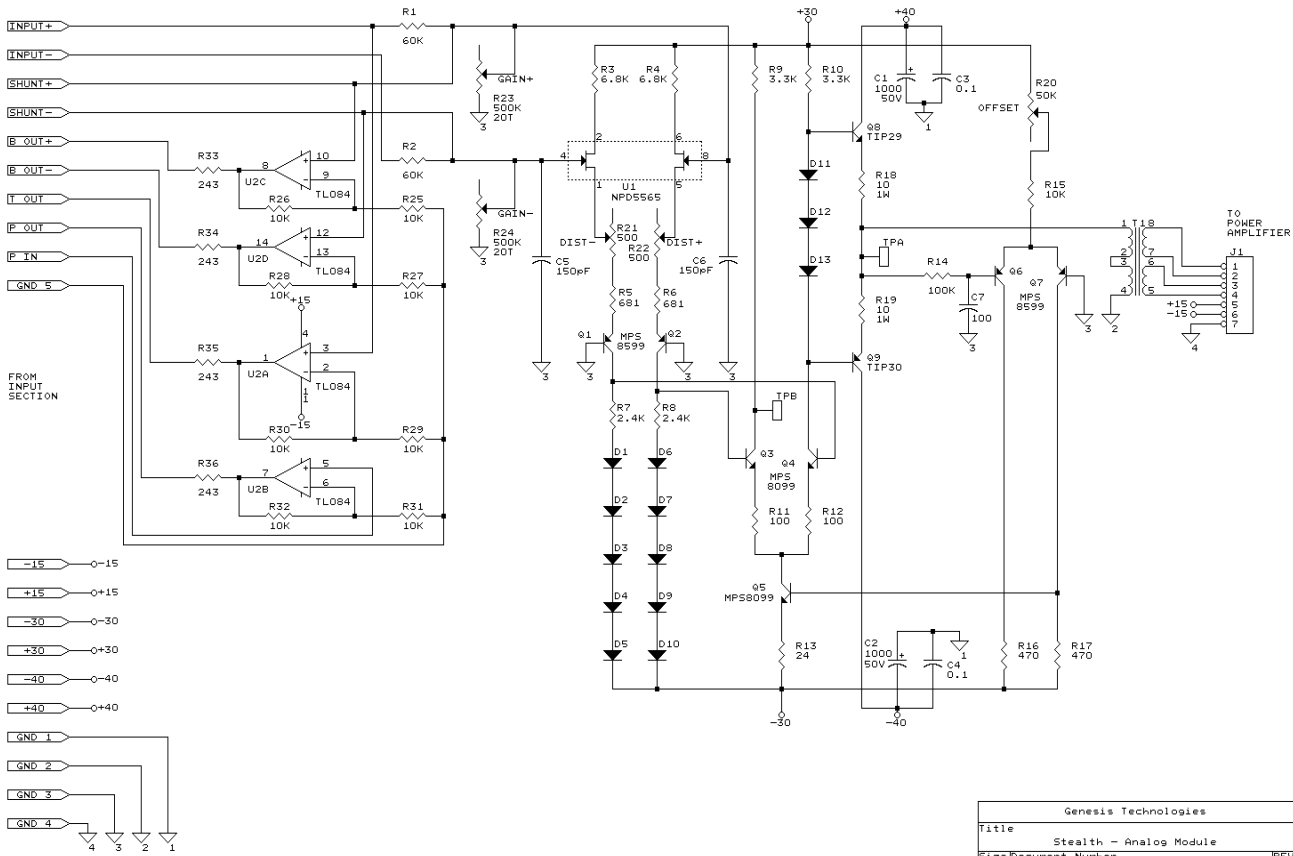
TO RIGHT  
POWER AMP

NOTE:  
COMPONENT REFERENCES HAVE NOT  
BEEN RECONCILED WITH PCB.

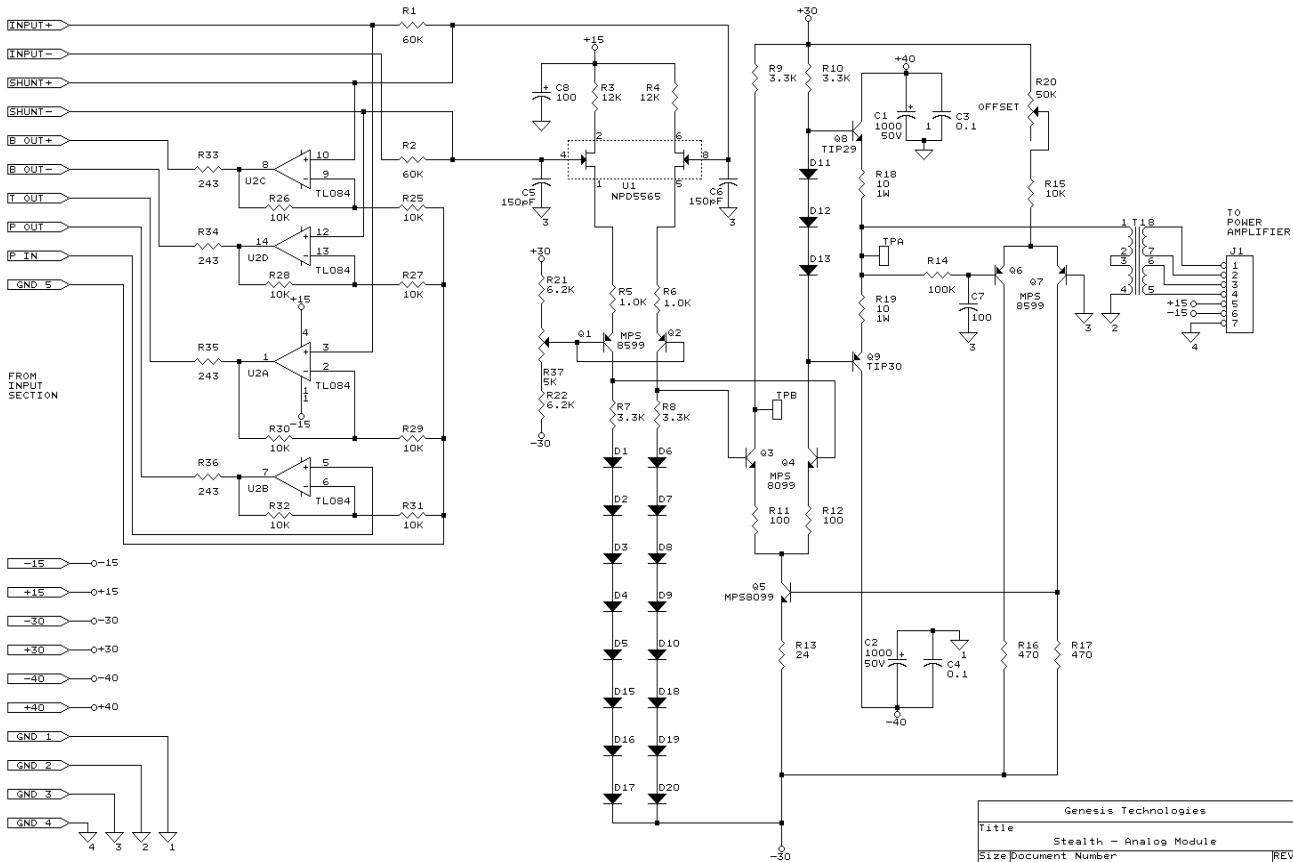
Genesis Technologies		
Title	Stealth - Relay Board	
Size	Document Number	REV
B	GENST3RO.SCH	0
Date:	February 28, 1994	Sheet 6 of 7



Genesis Technologies		
Title		
Stealth - Filter Board		
Size	Document Number	REV
A	GENST4R0.SCH	0
Date:	January 17, 1994	Sheet 5 of 6



Genesis Technologies		
Title	Stealth - Analog Module	
Size	Document Number	REV
B	GENST5R0.SCH	0
Date:	May 16, 1994	Sheet 4 of 7

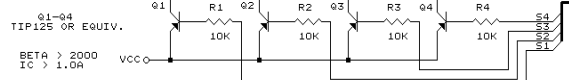
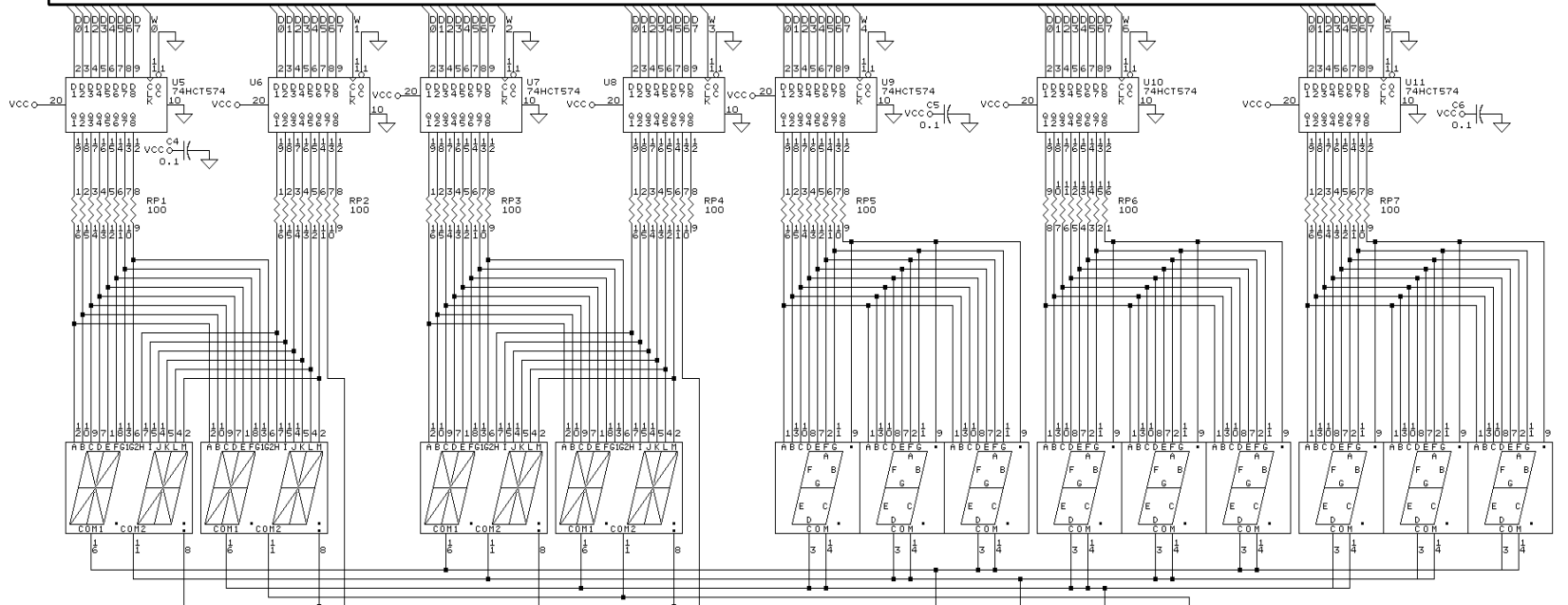
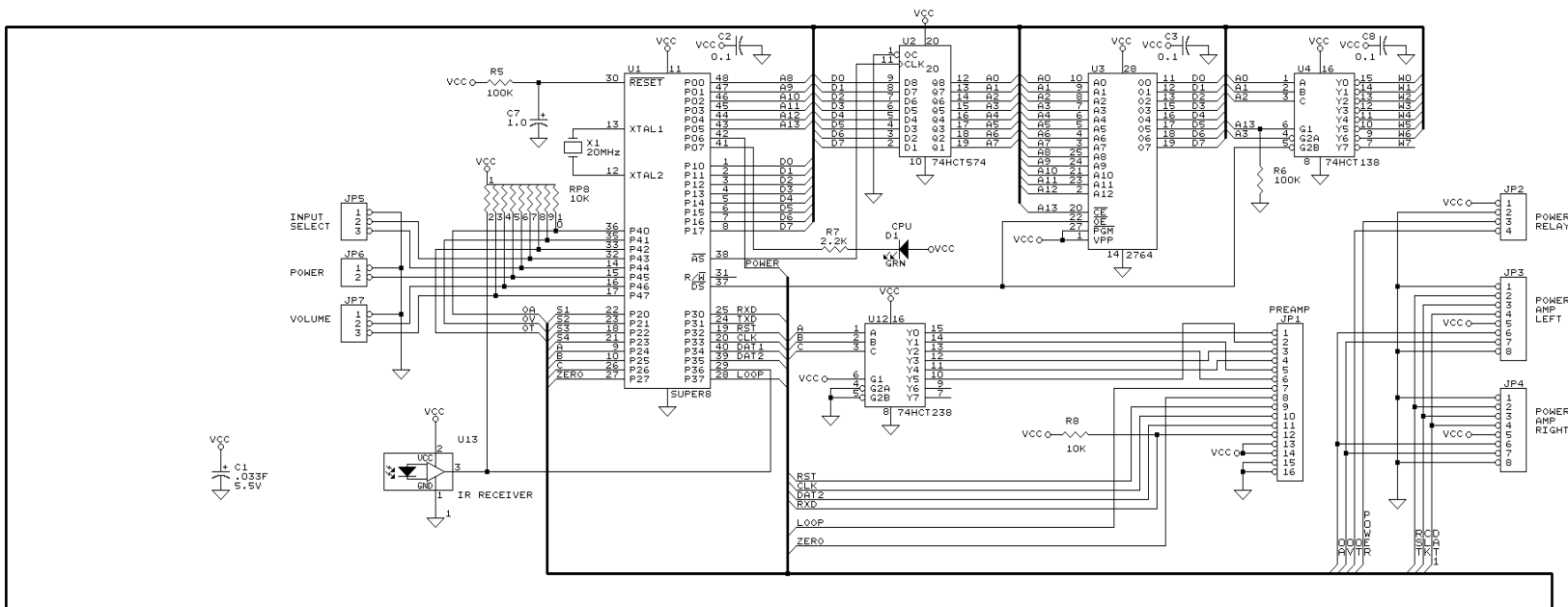


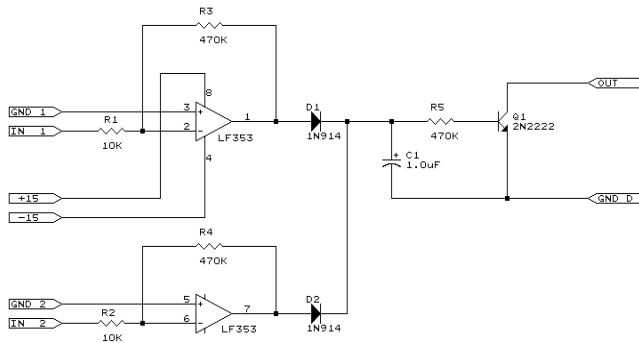
FROM INPUT SECTION

- 15
- +15
- 30
- +30
- 40
- +40
- GND 1
- GND 2
- GND 3
- GND 4

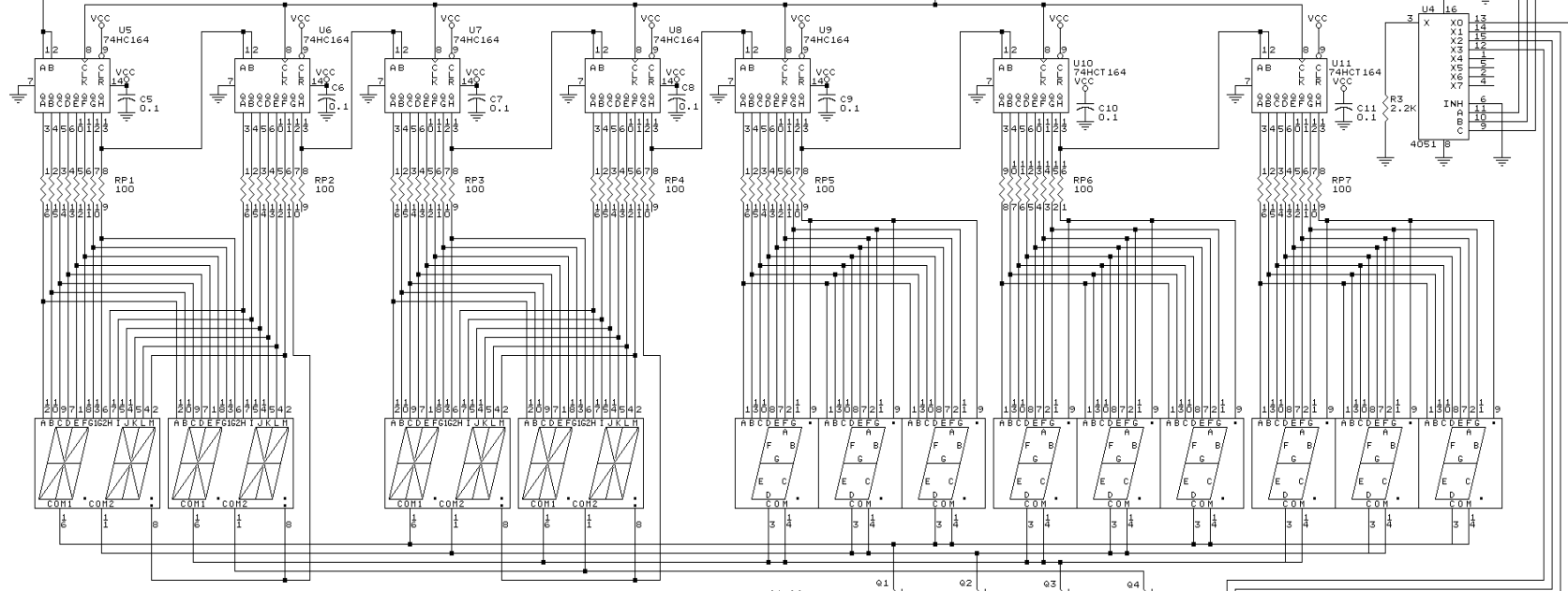
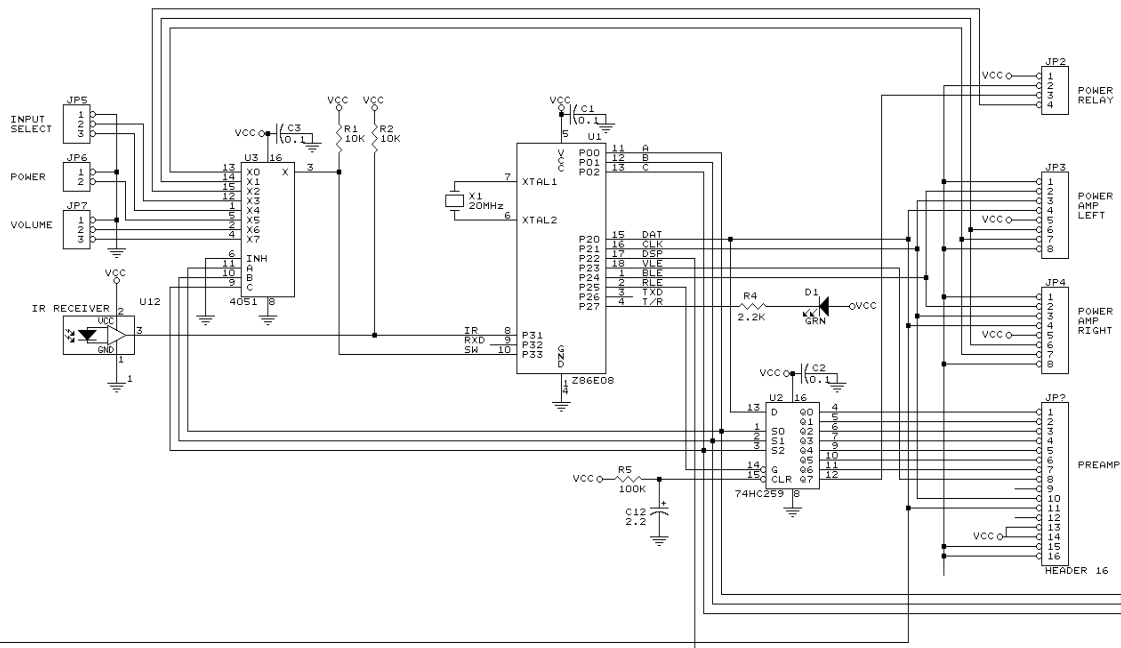
Genesis Technologies		
Title	Stealth - Analog Module	
Size	Document Number	REV
B	GENST5A.SCH	A
Date:	February 1, 1995	Sheet 4 of 7







Genesis Technologies		
Title		
Stealth - Input Sense Board		
Size Document Number		REV
A	GENST7R0.SCH	0
Date:	August 5, 1994	Sheet 7 of 7



Q1-Q4  
 TIP125 OR EQUIV.  
 BETA > 2000  
 IC > 1.0A



