

Goodmans



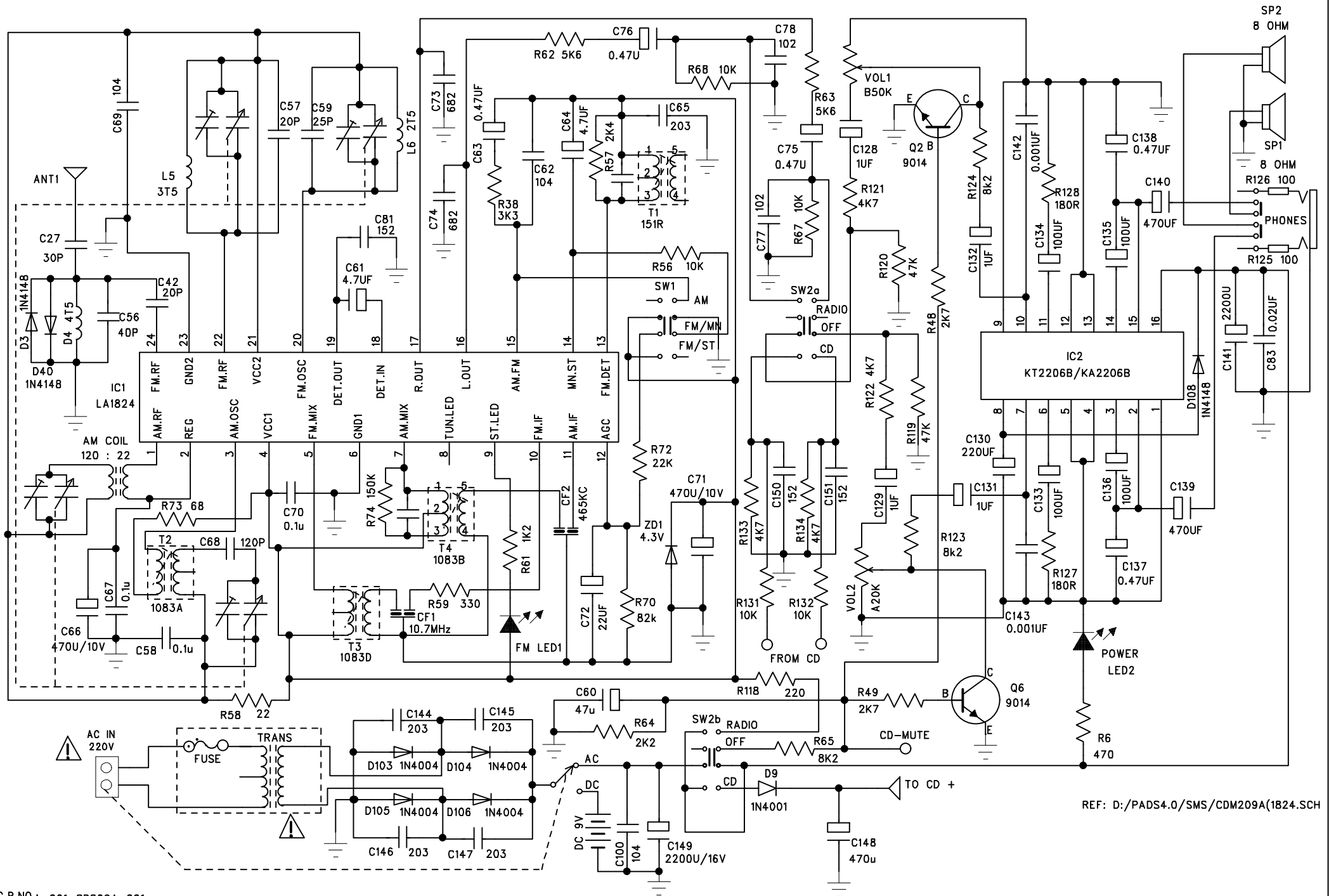
GCDR101P

Service Manual - GCDR101P

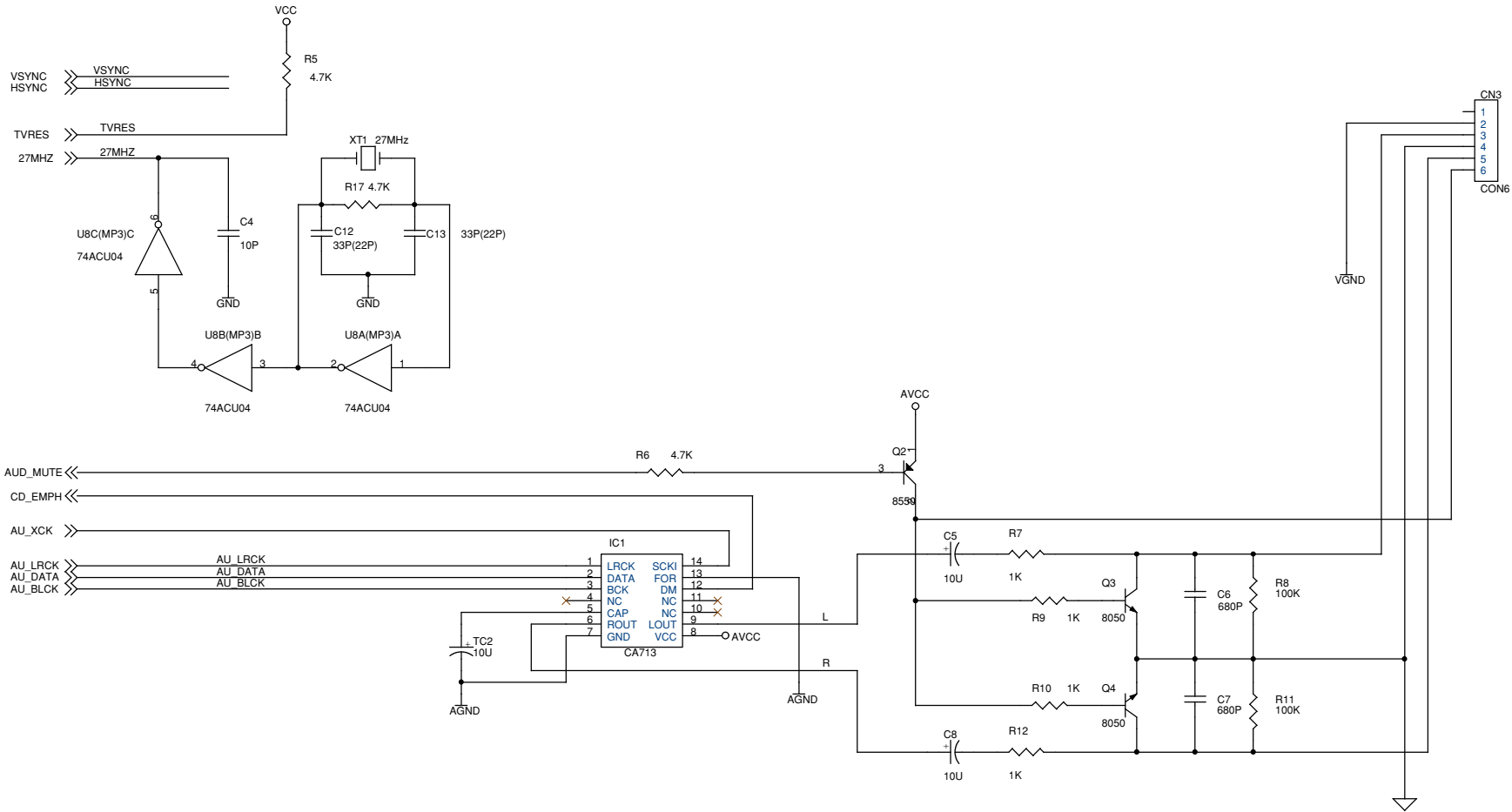
BBM209A	MPEG-A04	005-0331B-02	2,00	CHIP RESISTOR 330 OHM (0805) +/-5%	R23,96
BBM209A	MPEG-A04	005-0332B-02	2,00	CHIP RESISTOR 3.3K (0805) +/-5%	R33,25
BBM209A	MPEG-A04	005-0333B-02	2,00	CHIP RESISTOR 33K (0805) +/-5%	R1,32
BBM209A	MPEG-A04	005-0334B-02	1,00	CHIP RESISTOR 330K (0805) +/-5%	R75
BBM209A	MPEG-A04	005-0472B-02	8,00	CHIP RESISTOR 4.7K OHM (0805) +/-5%	R5,6,17,52,53,30,68,94
BBM209A	MPEG-A04	005-0473B-02	1,00	CHIP RESISTOR 47K (0805) +/-5%	R65
BBM209A	MPEG-A04	005-0474B-02	1,00	CHIP RESISTOR 470K (0805) +/-5%	R44
BBM209A	MPEG-A04	005-047XB-02	1,00	CHIP RESISTOR 4.7 OHM (0805) +/-5%	R92
BBM209A	MPEG-A04	005-0512B-02	2,00	CHIP RESISTOR 5.1K (0805) +/-5%	R76,77
BBM209A	MPEG-A04	005-0561B-02	3,00	CHIP RESISTOR 560 OHM (0805) +/-5%	R3,48,50
BBM209A	MPEG-A04	005-0750B-02	1,00	CHIP RESISTOR 75 OHM (0805) +/-5%	R4
BBM209A	MPEG-A04	005-0824B-02	1,00	CHIP RESISTOR 820K (0805) +/-5%	R43
BBM209A	MPEG-A04	002-02647-M0	1,00	I.C. CXA2647N "RF SIGNAL PROCESSOR"	IC4
BBM209A	MPEG-A04	016-06847-00	1,00	CHIP CAPACITOR 0.68 UF 16V (0805) +/-20%	C24
BBM209A	MPEG-A04	002-00718-AB	1,00	I.C. SPCA718A "SVCD DECODER"	U2
BBM209A	MPEG-A04	016-05015-00	1,00	CHIP CAPACITOR 500PF 50V (0805) +/-5%	C10
BBM209A	MPEG-A04	002-06392-088	1,00	I.C. AT6392H "4-CH BTL DRIVER"	IC7
BBM209A	MPEG-A04	001-CDM208-0	1,00	P.C.B CDM208REV-0	
BBM209A	MPEG-A04	002-09261-0G	1,00	I.C. RT9261A-50CX VFM STEP-UP DC/DC CONV	IC2

model	band	i_code	qty	i_descript	location	locatio1
A-01						
CDX82A-45W8	A-01	002-04453-F61	1,00	I.C. BH4453F "HEAD PHONE AMP" IC301		
CDX82A-45W8	A-01	002-0DRAM-040	1,00	I.C. Re-used (4Megx4 Dram) 40SEC	IC401	
CDX82A-45W8	A-01	004-3-003	4,00	CHOCK COIL 3T	4/CE LCE3,4,7,8	
CDX82A-45W8	A-01	004-3-003A	2,00	CHOCK COIL 3T 2-7 UH 3.5x1.3x3	2/CE LCE2,6	
CDX82A-45W8	A-01	004-3-100	3,00	CHOCK COIL 10 UH +/-10%	L101,103,602	
CDX82A-45W8	A-01	004-4-100	1,00	CHOCK COIL 100 UH +/-10% @=4M	L501	
CDX82A-45W8	A-01	004-4-330	1,00	CHOCK COIL 330 UH +/-10% 4x5.5	L603	
CDX82A-45W8	A-01	004-65-220	1,00	CHOCK COIL 22 UHx2 @6.5 TC050	1/CE LCE1	
CDX82A-45W8	A-01	004-DDC-1	1,00	INDUCTORS 130 UH D.D.CON TR	L601	
CDX82A-45W8	A-01	012-C1077-001	9,00	ELECT. CAP. MINI 100 MFD 6.3V	+C101,102,104,108,120,402,502,605,625	
CDX82A-45W8	A-01	012-C2277-001	2,00	ELECT. CAP. MINI 220 MFD 6.3V	+C609,616	
CDX82A-45W8	A-01	012-C4758-003	5,00	ELECT. CAP. MINI 4.7 MFD 16V +/-	C118,307,308,315,401	
CDX82A-45W8	A-01	012-G1067-002	1,00	TAIWAN ELECT CAP. 10 MFD 6.3V	C611	
CDX82A-45W8	A-01	012-G2277-001	4,00	TAIWAN ELECT CAP. 220 MFD 4V	C317,318,322,604	
CDX82A-45W8	A-01	012-G2277-002	1,00	TAIWAN ELECT CAP. 220 MFD 10	C602	
CDX82A-45W8	A-01	012-G3358-004	1,00	TAIWAN ELECT CAP. 3.3 MFD 25V	C113	
CDX82A-45W8	A-01	012-G4758-003	2,00	TAIWAN ELECT CAP. 4.7 MFD 16V	C311,312	
CDX82A-45W8	A-01	012-G4767-001	1,00	TAIWAN ELECT CAP. 47 MFD 4V	C323	
CDX82A-45W8	A-01	021-5818	4,00	DIODE IN5818 DO-41	D151,602,605,622	
CDX82A-45W8	A-01	021-Z0039	1,00	DIODE ZENER 3.9V 1/2W	D603	
CDX82A-45W8	A-01	029-0628	6,00	TACT SWITCH TS-00100A <01> 6x	K2,3,4,5,6,7	
CDX82A-45W8	A-01	029-1132L	1,00	DETECTOR SWITCH DS-20(SS)/MI	SW512	
CDX82A-45W8	A-01	029-1143	2,00	SLIDE SWITCH MSH-12N04	SW301,501	
CDX82A-45W8	A-01	030-1035B	1,00	HEADPHONE JACK HST1715-01-1	JK301	
CDX82A-45W8	A-01	030-1035G	1,00	HEADPHONE JACK HST1715-01-1	JK302	
CDX82A-45W8	A-01	030-1040A	1,00	DC POWER JACK DS-313-053H	@1 JK601	
CDX82A-45W8	A-01	036-06S-P1.5	1,00	Connector 6 Pin Socket (Pitch=1.5mm)	CN601	
CDX82A-45W8	A-01	036-16SB-P1	1,00	Connector 16 Pin Socket (Pitch=1mm)	CN101	
CDX82A-45W8	A-01	083-UL30BK	1,00	Jumper Wire (UL1007#26) 30mm	Blk 1/BT	
CDX82A-45W8	A-01	083-UL30R	1,00	Jumper Wire (UL1007#26) 30mm	Red 1/BT	
CDX82A-45W8	A-01	083-UL95BK	1,00	Jumper Wire (UL1007#26) 95mm	BLACK	
CDX82A-45W8	A-01	083-UL95R	1,00	Jumper Wire (UL1007#26) 95mm	RED	
CDX82A-45W8	A-01	083-UL95W	1,00	Jumper Wire (UL1007#26) 95mm	White	
CDX82A-45W8	A-01	029-0621	1,00	TACT SWITCH TS-00104 A (6X6X5)	K1	
CDX82A-45W8	A-01	003-00882-0A1	3,00	TRANSISTOR HSD882S TO-92	Q601,602,603	
CDX82A-45W8	A-01	024-16.934MHz	1,00	RESONATOR CERAMIC 16.934MH	X101	
CDX82A-45W8	A-01	002-06575-F61	1,00	I.C. BH6575FV "DRIVER"	IC601	
CDX82A-45W8	A-01	002-09534-K63	1,00	I.C. BU9534KV "RF+DSP+RAM CO	IC101	
CDX82A-45W8	A-01	027-159	1,00	VOLUME RA1010H-1V-3T@16-A	103-B	
CDX82A-45W8	A-01	002-24590-W63	1,00	I.C. BU24590-8W "CPU"	IC501	
CDX82A-45W8	A-01	012-G3377-002	1,00	TAIWAN ELECT CAP. 330 MFD 10	C127	
CDX82A-45W8	A-01	012-G4777-000	1,00	TAIWAN ELECT CAP. 470 MFD 4V	C133	
CDX82A-45W8	A-01	009-19-030-P1	1,00	HEATSEAL CONNECTOR 19 PIN x	30MM PITCH=1	
CDX82A-45W8	A-01	006-CDX82A-02	1,00	LCD DISPLAY CDX82A-45W8	43x12x2.05mm	
A-02						
CDX82A-45W8	A-02	003-00114-135	5,00	CHIP TRANSISTOR DTC114TE	Q303,304,313,314,401	
CDX82A-45W8	A-02	003-00124-036	2,00	CHIP TRANSISTOR DTA124EKA	Q102,301	
CDX82A-45W8	A-02	003-01015-099	1,00	CHIP TRANSISTOR HMBT1015	Q101	
CDX82A-45W8	A-02	005-S010B-013	1,00	CHIP RESISTOR 1 OHM (0603) +/-	5 R321	
CDX82A-45W8	A-02	005-S047B-013	3,00	CHIP RESISTOR 4.7OHM (0603) +/-	R100,102,105	
CDX82A-45W8	A-02	005-S102B-013	4,00	CHIP RESISTOR 1 K (0603) +/-5%	1 R104,317,318,603	
CDX82A-45W8	A-02	005-S103B-013	11,00	CHIP RESISTOR 10 K (0603) +/-5%	R123,501,506-509,530,555,401,402,611	
CDX82A-45W8	A-02	005-S205B-013	1,00	CHIP RESISTOR 2 M OHM (0603) +	R143	
CDX82A-45W8	A-02	005-S223B-013	5,00	CHIP RESISTOR 22K (0603) +/-5%	1R106,108,514,518,615	
CDX82A-45W8	A-02	005-S242B-013	2,00	CHIP RESISTOR 2.4 K (0603) +/-5%	R313,314	
CDX82A-45W8	A-02	005-S243B-013	1,00	CHIP RESISTOR 24K (0603) +/-5%	1R617	
CDX82A-45W8	A-02	005-S273B-013	1,00	CHIP RESISTOR 27K (0603) +/-5%	1R606	
CDX82A-45W8	A-02	005-S473B-013	2,00	CHIP RESISTOR 47K (0603) +/-5%	1R323,149	
CDX82A-45W8	A-02	016-S1015-006	1,00	CHIP CAPACITOR 100 PF 50V (060)	C112	
CDX82A-45W8	A-02	016-S1026-006	1,00	CHIP CAPACITOR 0.001UF 50V (06)	C608	
CDX82A-45W8	A-02	016-S1036-006	2,00	CHIP CAPACITOR 0.01UF 50V (06C)	C103	
CDX82A-45W8	A-02	016-S1047-004	32,00	CHIP CAPACITOR 0.1 UF 25V (060)	C105,107,110,116,122,152,322,115,	
CDX82A-45W8	A-02	016-S1057-003	4,00	CHIP CAPACITOR 1 UF 16V (0603)	C4,124,326,614	
CDX82A-45W8	A-02	016-S1505-006	3,00	CHIP CAPACITOR 15 PF 50V (0603)	C131,132,150	
CDX82A-45W8	A-02	016-S1515-006	2,00	CHIP CAPACITOR 150 PF 50V (060)	C122,123	
CDX82A-45W8	A-02	016-S1547-006	2,00	CHIP CAPACITOR 0.15UF 50V (06C)	C2,3	
CDX82A-45W8	A-02	016-S2226-006	1,00	CHIP CAPACITOR 0.0022UF 50V (C)	C121	
CDX82A-45W8	A-02	016-S2235-006	5,00	CHIP CAPACITOR 0.022UF 50V (06)	C618,619,620,621,615	
CDX82A-45W8	A-02	016-S2247-004	1,00	CHIP CAPACITOR 0.22UF 25V (06C)	C114	
CDX82A-45W8	A-02	016-S4705-006	1,00	CHIP CAPACITOR 47PF 50V (0603)	C607	
CDX82A-45W8	A-02	016-S4715-006	2,00	CHIP CAPACITOR 470 PF 50V (060)	C109,612	
CDX82A-45W8	A-02	016-S6827-004	1,00	CHIP CAPACITOR 0.0068UF 25V (C)	C125	
CDX82A-45W8	A-02	021-DAN222	2,00	SWITCHING DIODE DAN222/KDS	D401,501	
CDX82A-45W8	A-02	005-S753B-013	6,00	CHIP RESISTOR 75K (0603) +/-5%	1R109,107,116,122,152,322	
CDX82A-45W8	A-02	005-S822B-013	3,00	CHIP RESISTOR 8.2K (0603) +/-5%	R607,315,517	
CDX82A-45W8	A-02	005-S913B-013	1,00	CHIP RESISTOR 91 K (0603) +/-5%	R504	
CDX82A-45W8	A-02	005-S000B-013	2,00	CHIP RESISTOR 0 OHM (0603) +/-5%	R113,RV0	
CDX82A-45W8	A-02	005-S100B-013	1,00	CHIP RESISTOR 10 OHM (0603) +/-	R604	

CDX82A-45W8	A-02	005-S101B-013	8,00	CHIP RESISTOR 100 OHM (0603) +, R101,150,151,303-306,608
CDX82A-45W8	A-02	005-S104B-013	6,00	CHIP RESISTOR 100K (0603) +/-5% R103,308,502,505,610,307
CDX82A-45W8	A-02	005-S105B-013	1,00	CHIP RESISTOR 1 M (0603) +/-5% 1R120
CDX82A-45W8	A-02	005-S123B-013	1,00	CHIP RESISTOR 12K (0603) +/-5% 1R605
CDX82A-45W8	A-02	005-S151B-027	1,00	CHIP RESISTOR 150 OHM (0603) +, R609
CDX82A-45W8	A-02	005-S153B-013	1,00	CHIP RESISTOR 15K (0603) +/-5% 1R118
CDX82A-45W8	A-02	005-S224B-013	1,00	CHIP RESISTOR 220K (0603) +/-5% R112
CDX82A-45W8	A-02	005-S274B-013	1,00	CHIP RESISTOR 270K (0603) +/-5% R117
CDX82A-45W8	A-02	005-S332B-013	1,00	CHIP RESISTOR 3.3K (0603) +/-5% R121
CDX82A-45W8	A-02	005-S333B-013	1,00	CHIP RESISTOR 33K (0603) +/-5% 1R115
CDX82A-45W8	A-02	005-S471B-013	1,00	CHIP RESISTOR 470 OHM (0603) +, R114
CDX82A-45W8	A-02	005-S472B-013	3,00	CHIP RESISTOR 4.7K (0603) +/-5% R119,511,516
CDX82A-45W8	A-02	005-S562B-013	2,00	CHIP RESISTOR 5.6K (0603) +/-5% R311,312
CDX82A-45W8	A-02	005-S563B-013	1,00	CHIP RESISTOR 56K (0603) +/-5% 1R616
CDX82A-45W8	A-02	005-S682B-013	2,00	CHIP RESISTOR 6.8K (0603) +/-5% R510,515
CDX82A-45W8	A-02	003-00124-T36	1,00	CHIP TRANSISTOR DTA124TUA Q105
CDX82A-45W8	A-02	005-S184B-013	1,00	CHIP RESISTOR 180K (0603) +/-5% R326
CDX82A-45W8	A-02	016-S6826-006	4,00	CHIP CAPACITOR 6800 PF 50V (06 C303,304,CE305,306
CDX82A-45W8	A-02	001-CD82A1-45W8	1,00	P.C.B CDX82A CD/MAIN "ROHM" 8W 45SEC 900
B230-01				
CDX82A-45W8	B230-01	058-CD12N	1,00	DC/DC CAR ADAPTOR INPUT:12V O/P:4.5V 600
CDX82A-45W8	B230-01	058-CD12N-CE	1,00	AC/DC ADAPTOR EI-41 INPUT:230V 50Hz O/P:
CDX82A-45W8	B230-01	073-CD23A-02	4,00	RUBBER FOOT (A) @6.5x0.8MM CD23A-202 REV
CDX82A-45W8	B230-01	073-CD83-07	2,00	CD CUSHION RUBBER (1) CD83-306 (GREEN)
CDX82A-45W8	B230-01	073-CD83-08	1,00	CD CUSHION RUBBER (2) CD83-306 (BLACK)
CDX82A-45W8	B230-01	081-KT 174B	3,00	Screw K1.7x4T (Black) 3/CD BOARD - BOTTOM CABINET
CDX82A-45W8	B230-01	081-PA 210B	6,00	Screw P2x10A (Black) 6/BOTTOM CABINET - MIDDLE CABINET
CDX82A-45W8	B230-01	081-PA 26B	2,00	Screw P2x6A (Black) 2/LCD BRACKET - MAIN BOARD
CDX82A-45W8	B230-01	056-D172S	1,00	CD DECK KSM900ASI "SONY" (DISCMAN)
CDX82A-45W8	B230-01	078-CD25A-01	1,00	BATTERY PLATE "+" CD25A-207
CDX82A-45W8	B230-01	078-CD25A-02	1,00	BATTERY SPRING "-" CD25A-211
CDX82A-45W8	B230-01	078-CD25A-03	1,00	BATTERY PLATE "+/-" CD25A-209
CDX82A-45W8	B230-01	087-DAB200A-02	1,00	OPEN KNOB SPRING (A) DAB200A-221
CDX82A-45W8	B230-01	087-CDX82A-01	1,00	CD DOOR SPRING CDX82A-201
CHARGE-01				
CDX82A-45W8	CHARGE-01	005-C22XB-023	2,00	RESISTOR 2.2 OHM 1/4W +/-5% R642,643
CDX82A-45W8	CHARGE-01	005-S102B-013	1,00	CHIP RESISTOR 1 K (0603) +/-5% 1 R641
CDX82A-45W8	CHARGE-01	021-5818	1,00	DIODE IN5818 DO-41 D641
CDX82A-45W8	CHARGE-01	029-1143	1,00	SLIDE SWITCH MSH-12N04 SW602
CDX82A-45W8	CHARGE-01	022-051	1,00	LED LAMP 2x3mm RL620N-RD314; LED641

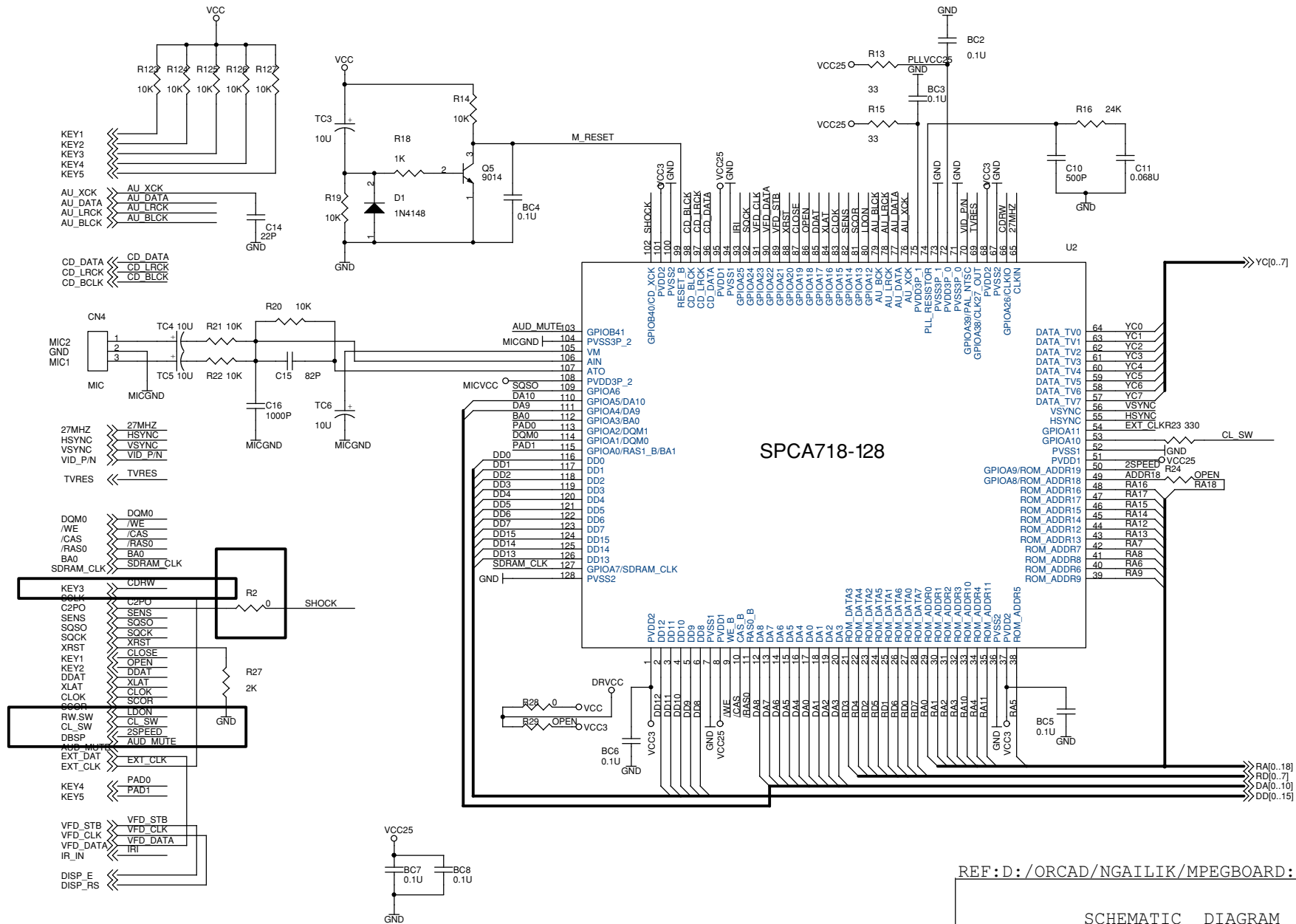


REF: D:/PADS4.0/SMS/CDM209A(1824).SCH



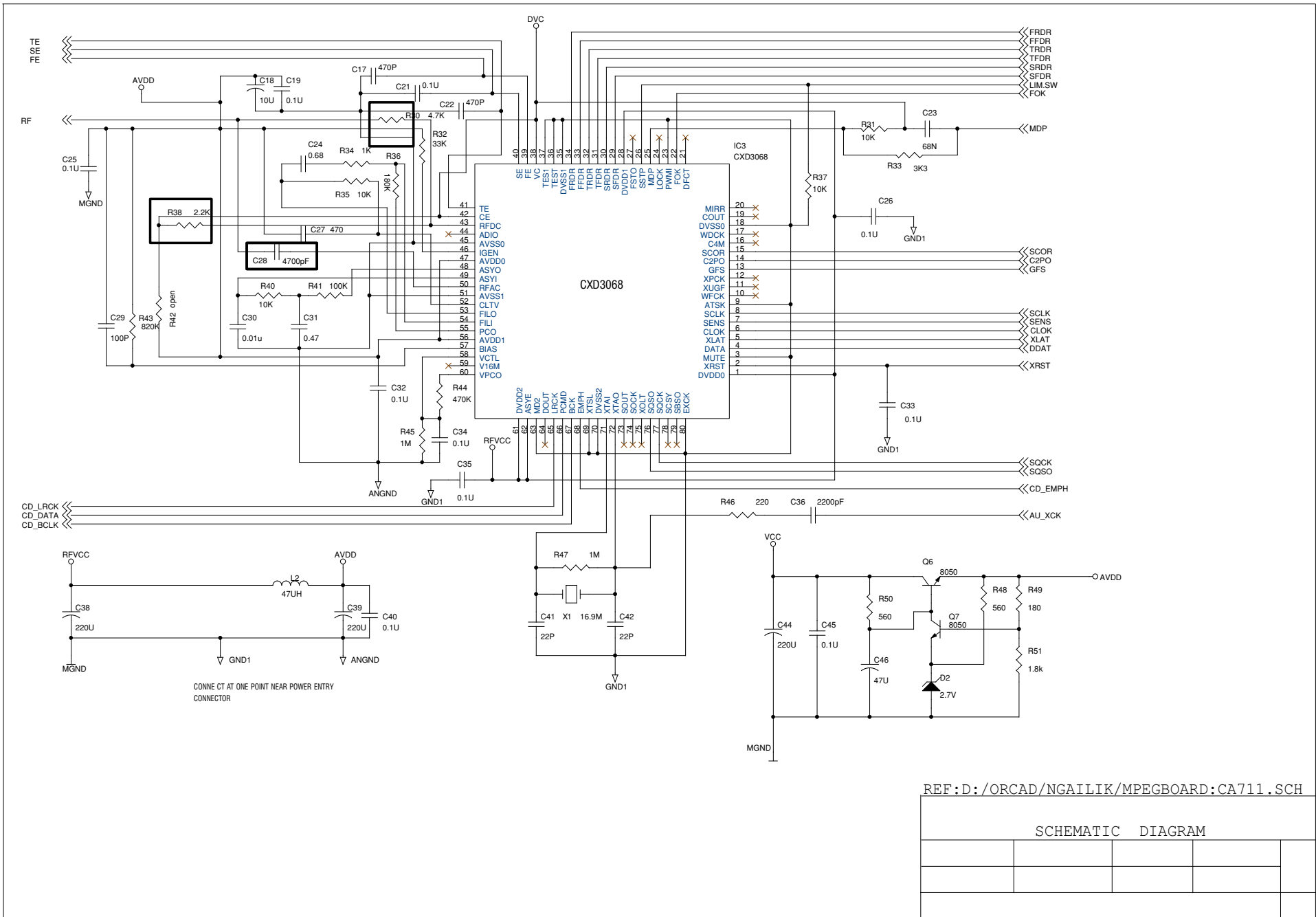
REF:D:/ORCAD/NGAILIK/MPEGBOARD:CA711.SCH

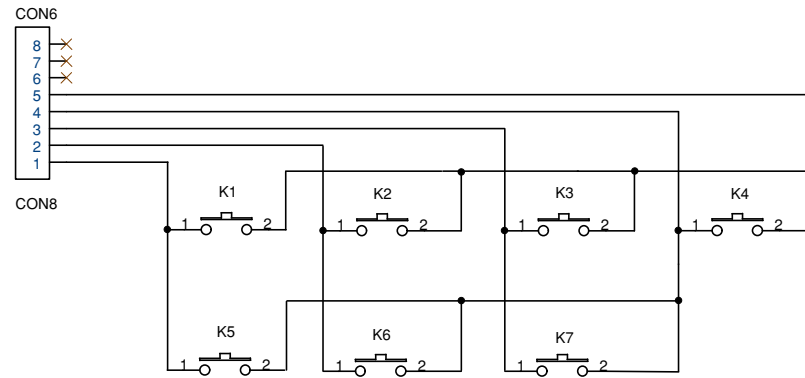
SCHMATIC DIAGRAM



REF:D:/ORCAD/NGALIK/MPEGBOARD:CA711.SCH

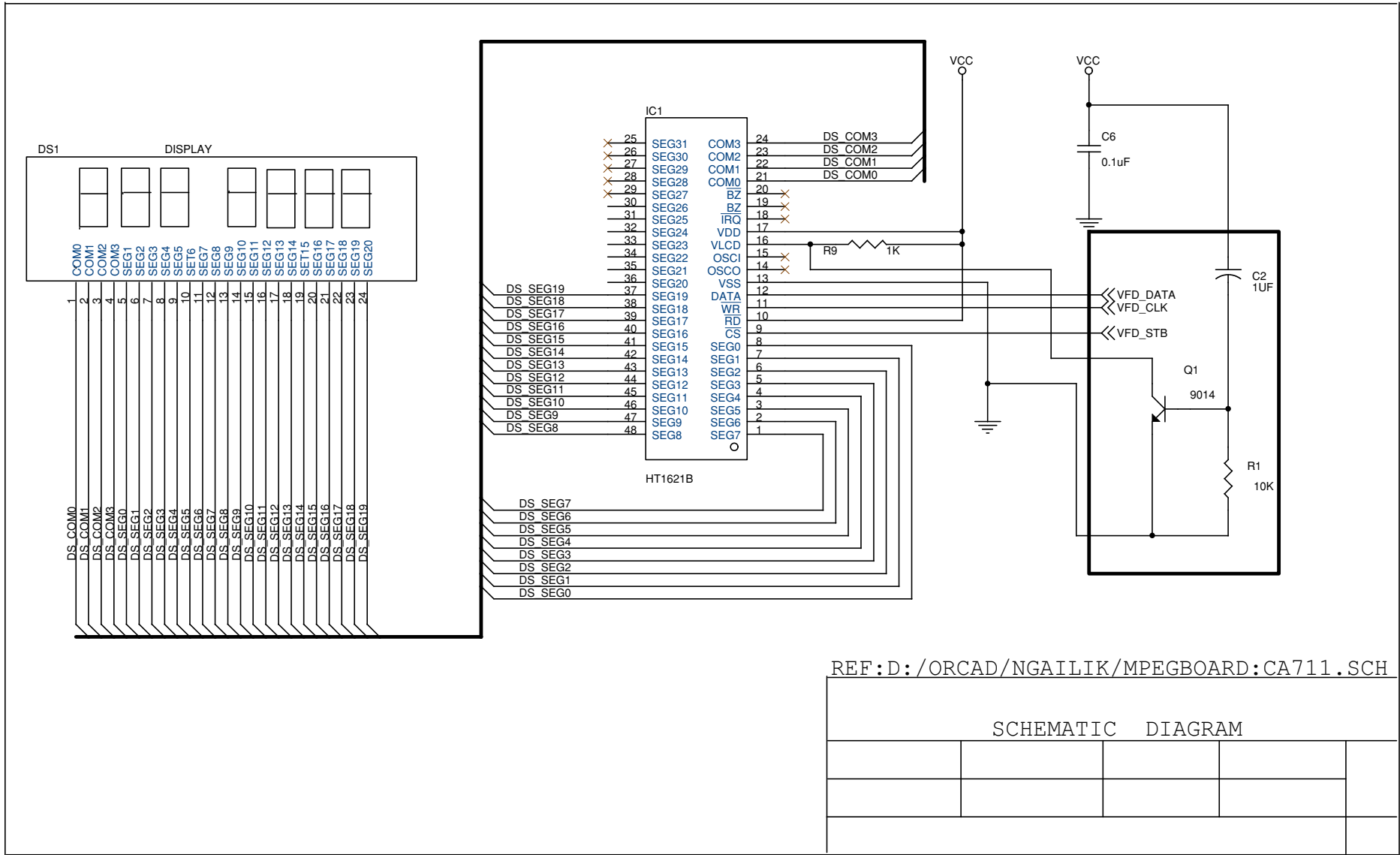
SCHMATIC DIAGRAM

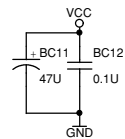
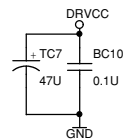
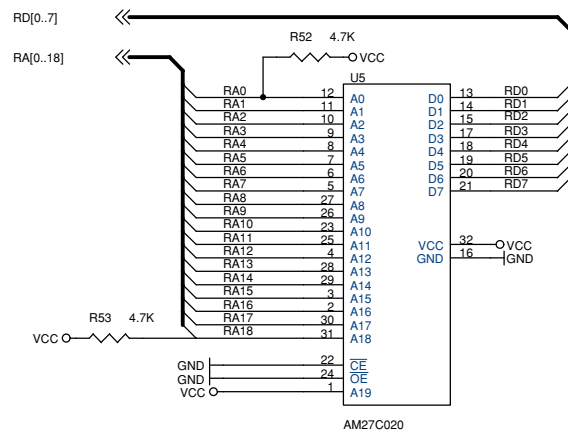
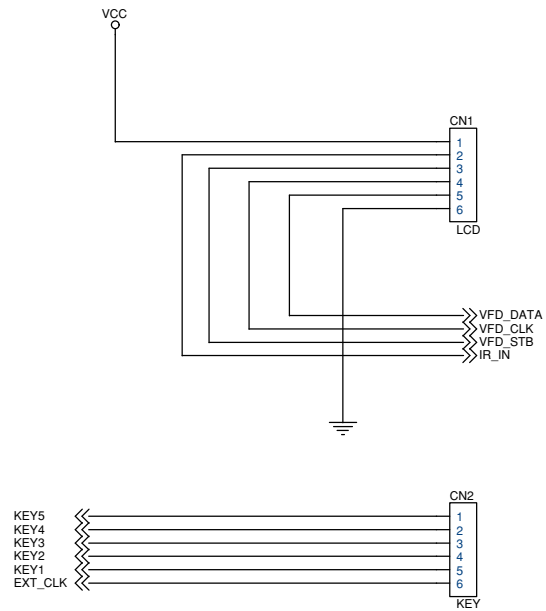
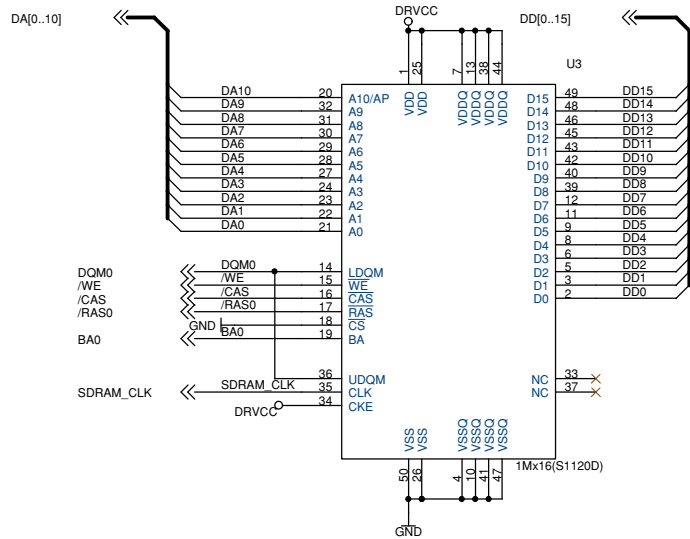




REF:D:/ORCAD/NGAILIK/MPEGBOARD:CA711.SCH

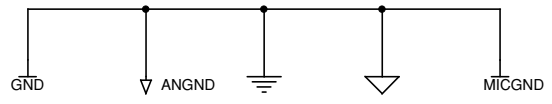
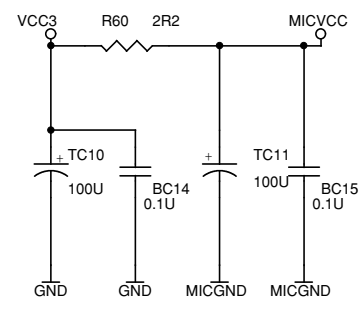
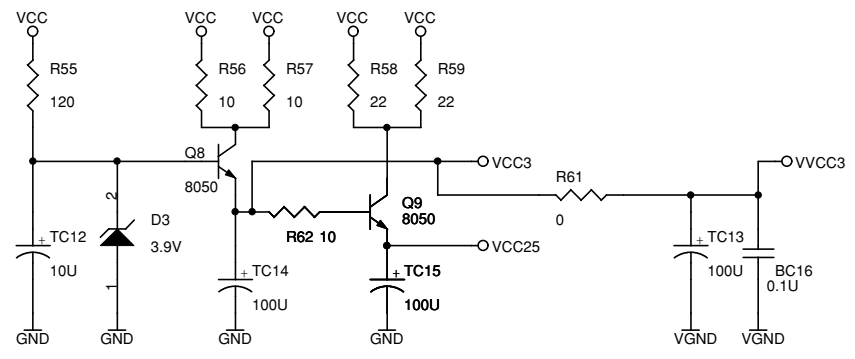
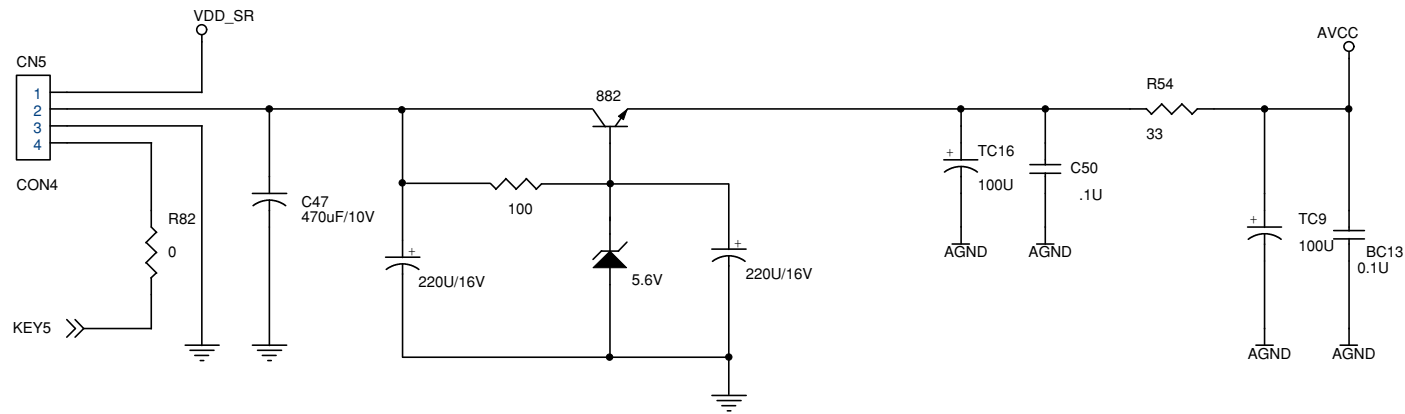
SCHEMATIC DIAGRAM





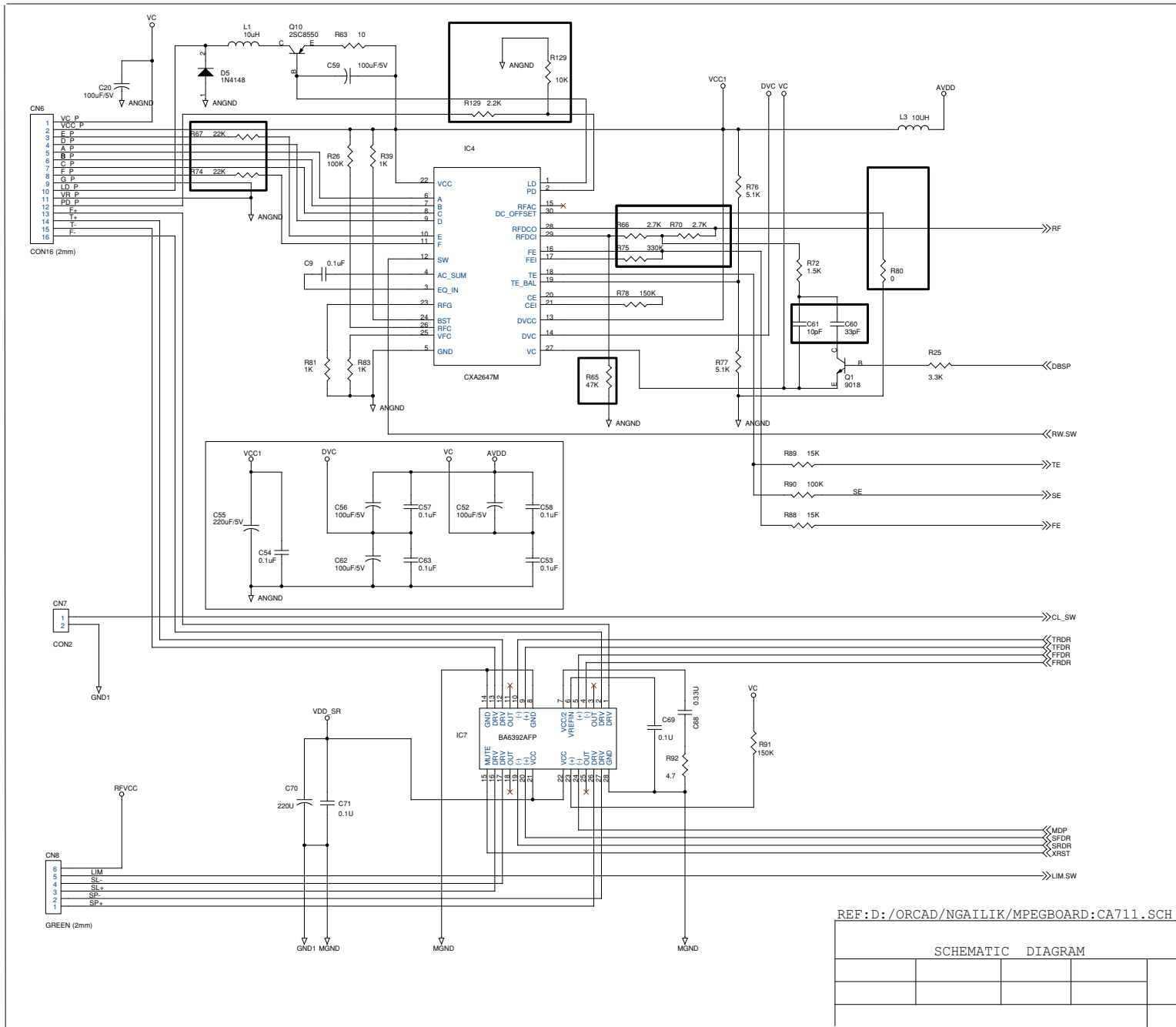
REF:D:/ORCAD/NGAILIK/MPEGBOARD:CA711.SCH

SCHEMATIC DIAGRAM



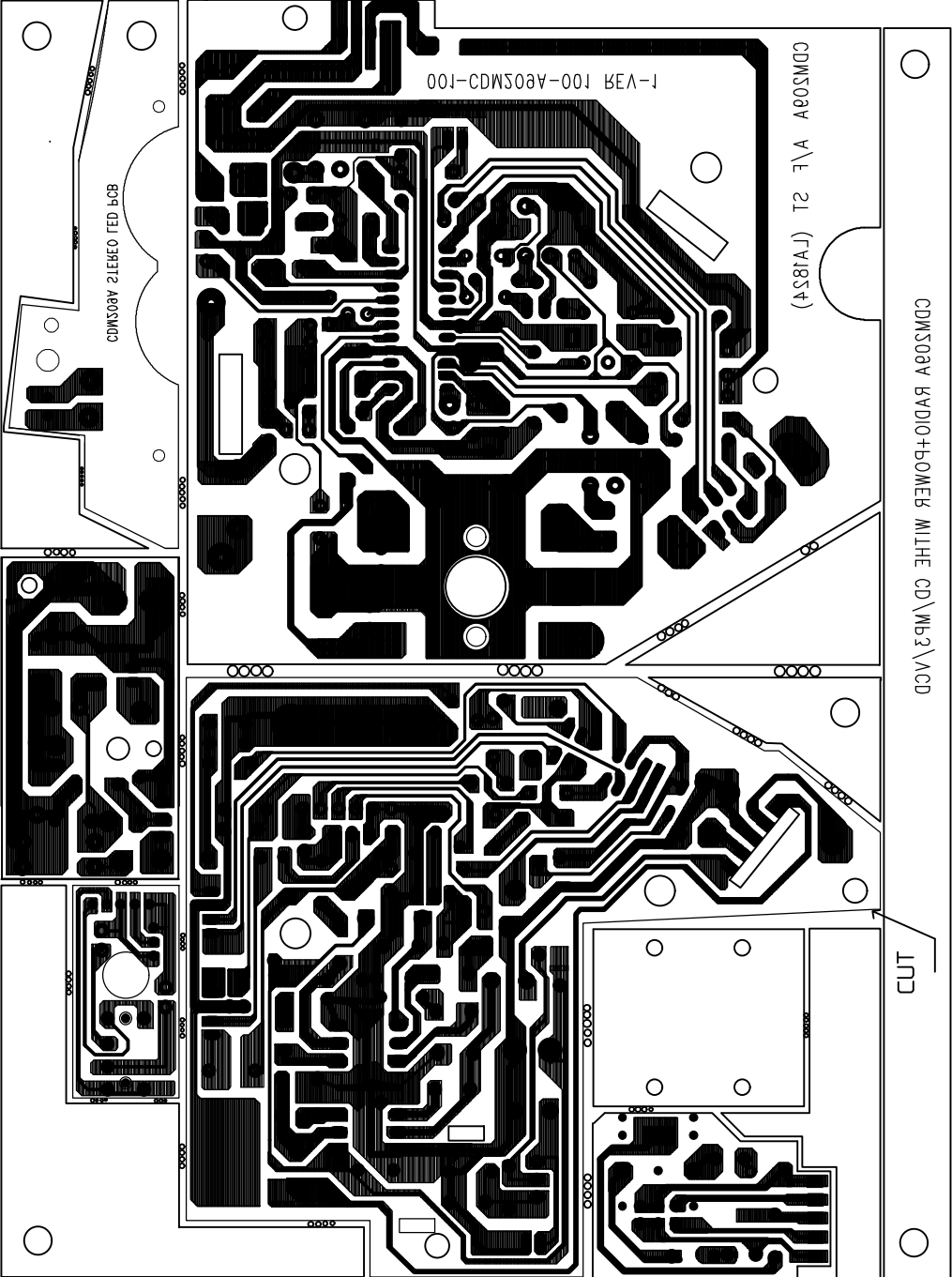
REF:D:/ORCAD/NGAILIK/MPEGBOARD:CA711.SCH

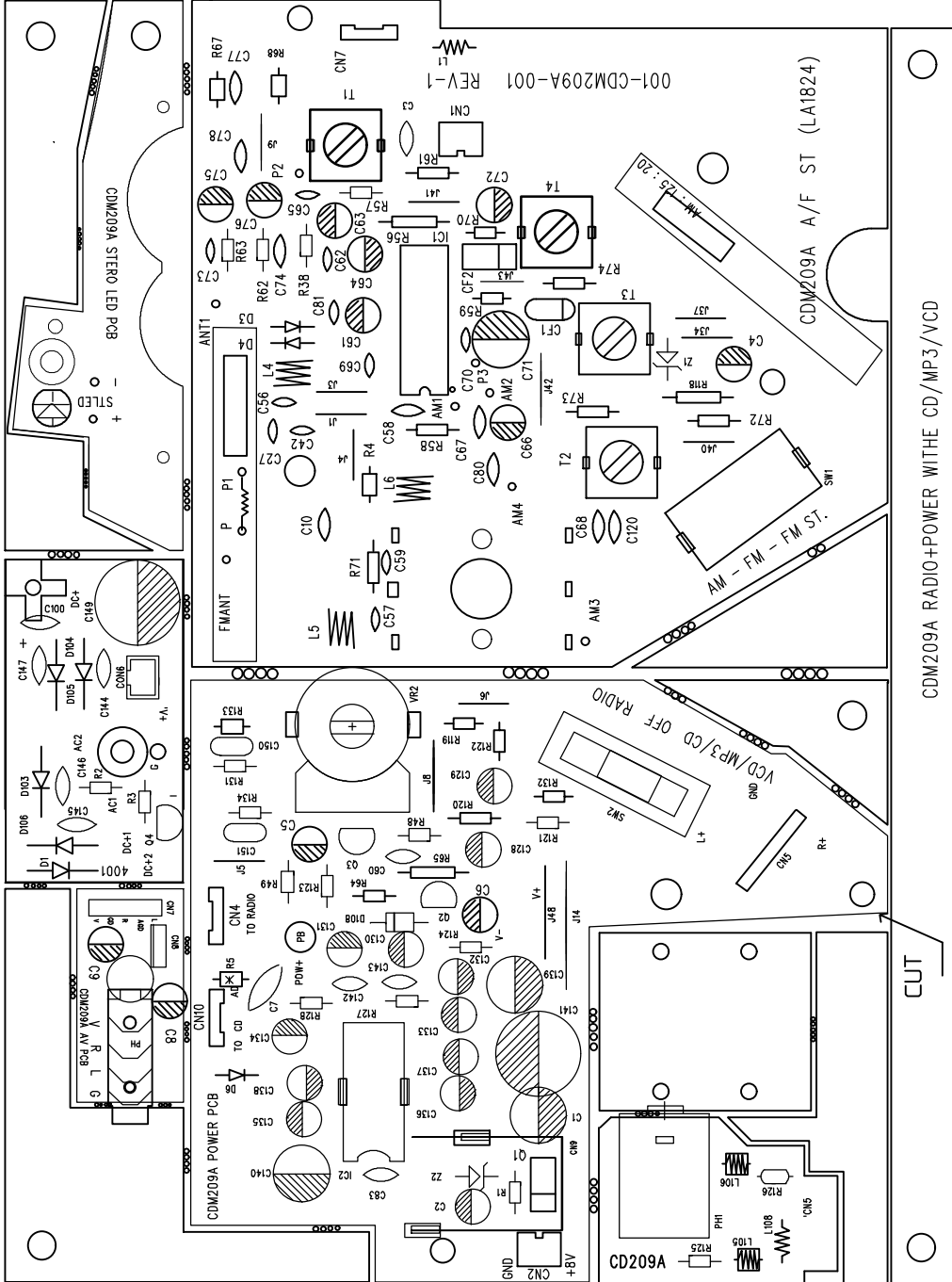
SCHEMATIC DIAGRAM

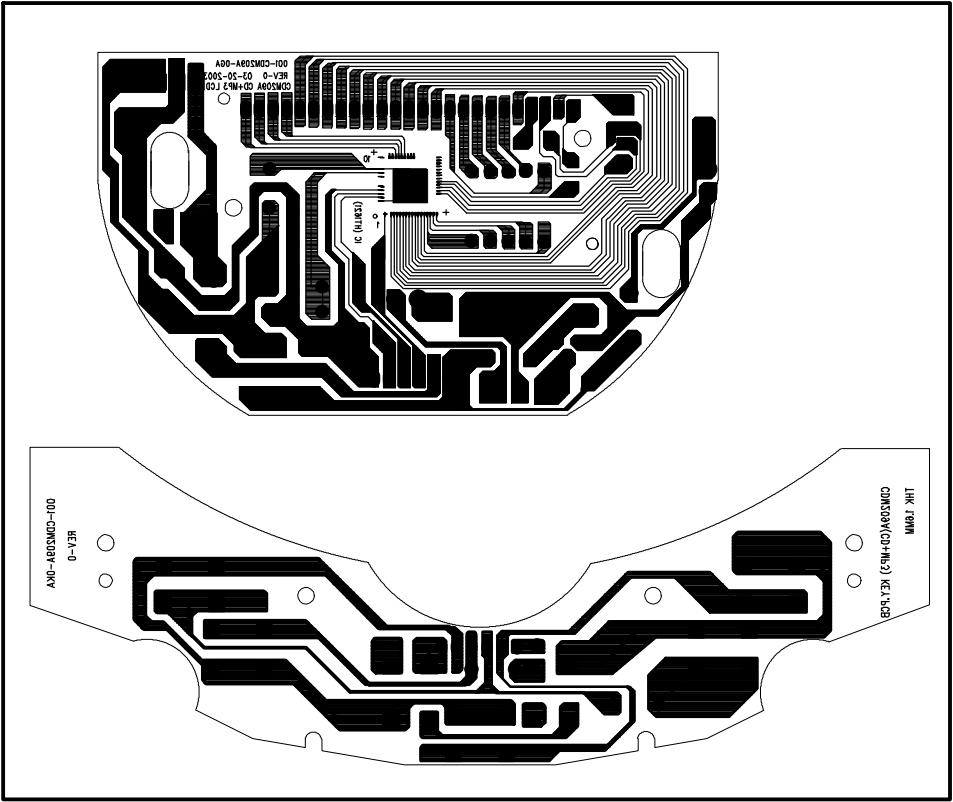


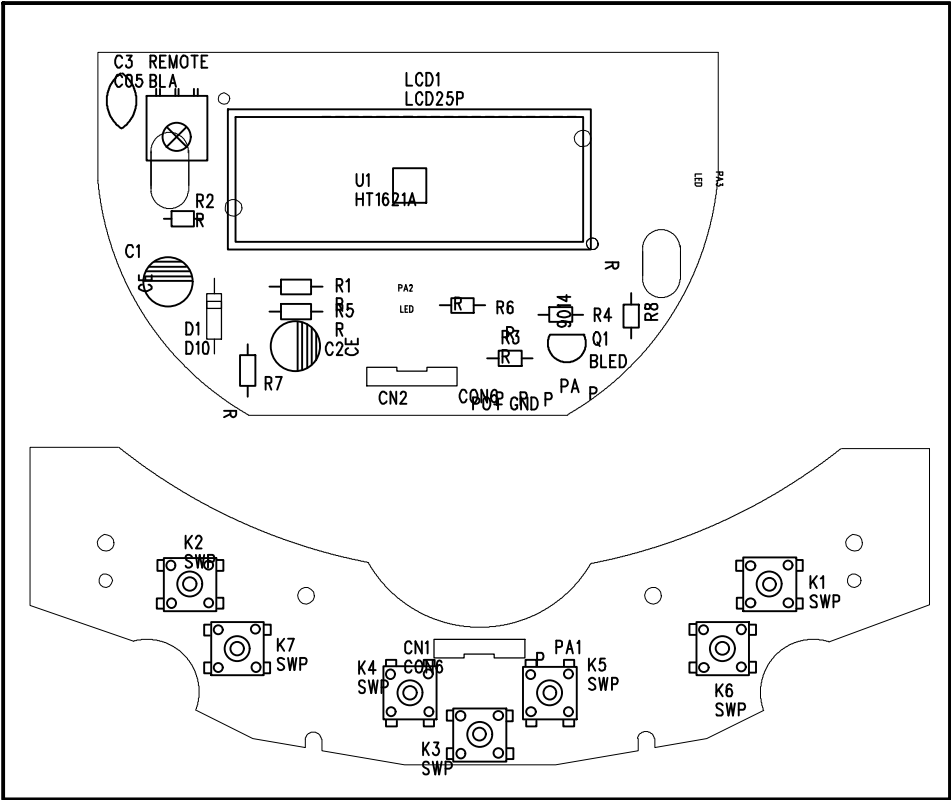
REF:D:/ORCAD/NGAILIK/MPEGBOARD:CA711.SCH

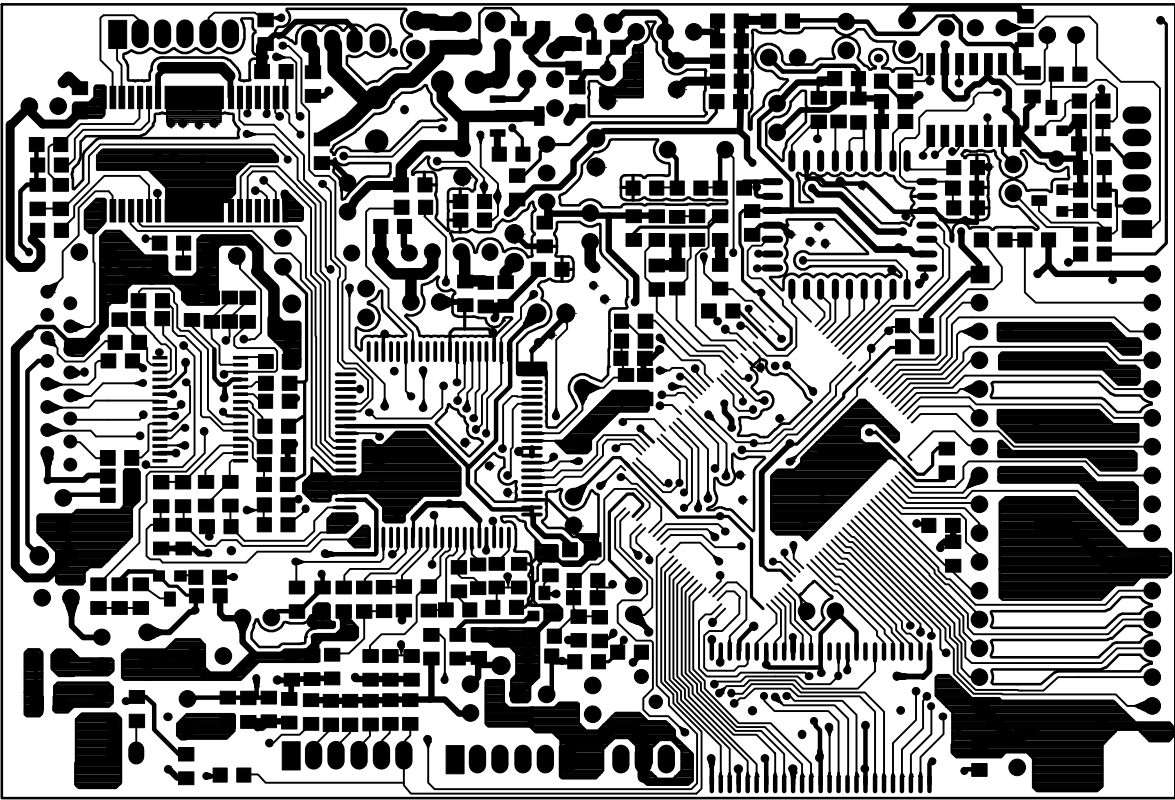
SCHEMATIC DIAGRAM			

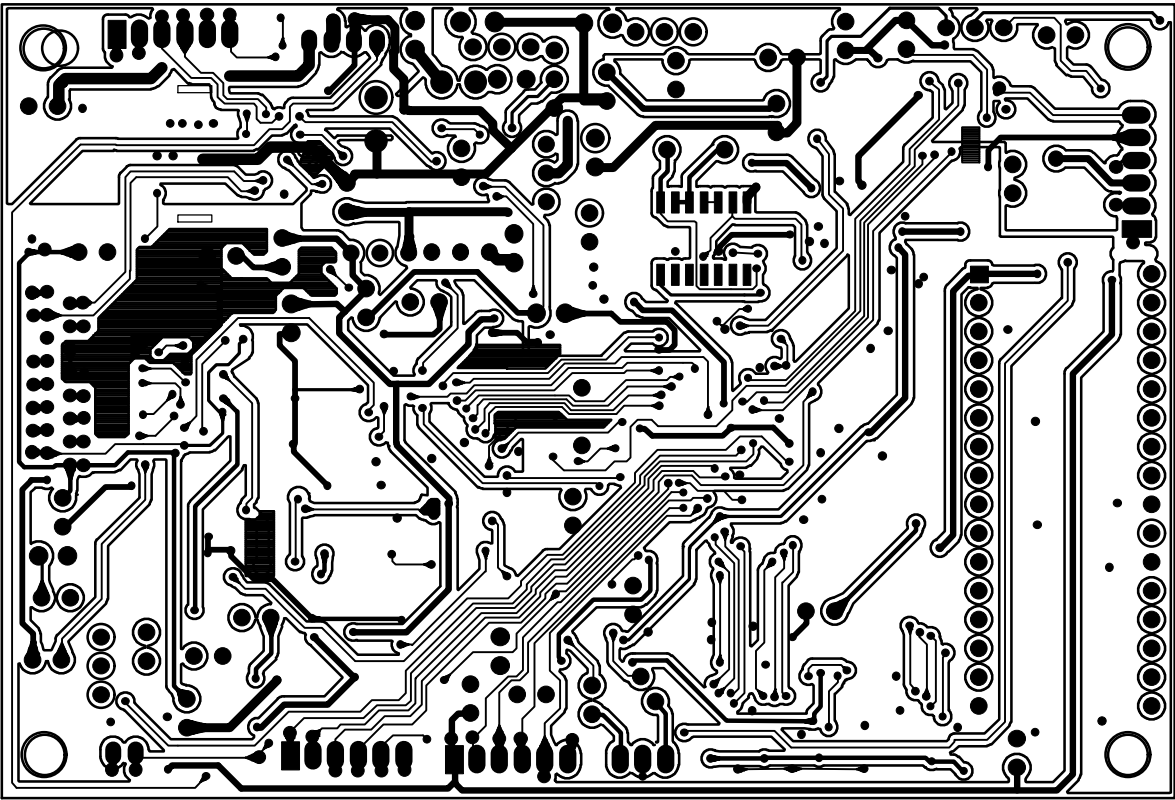


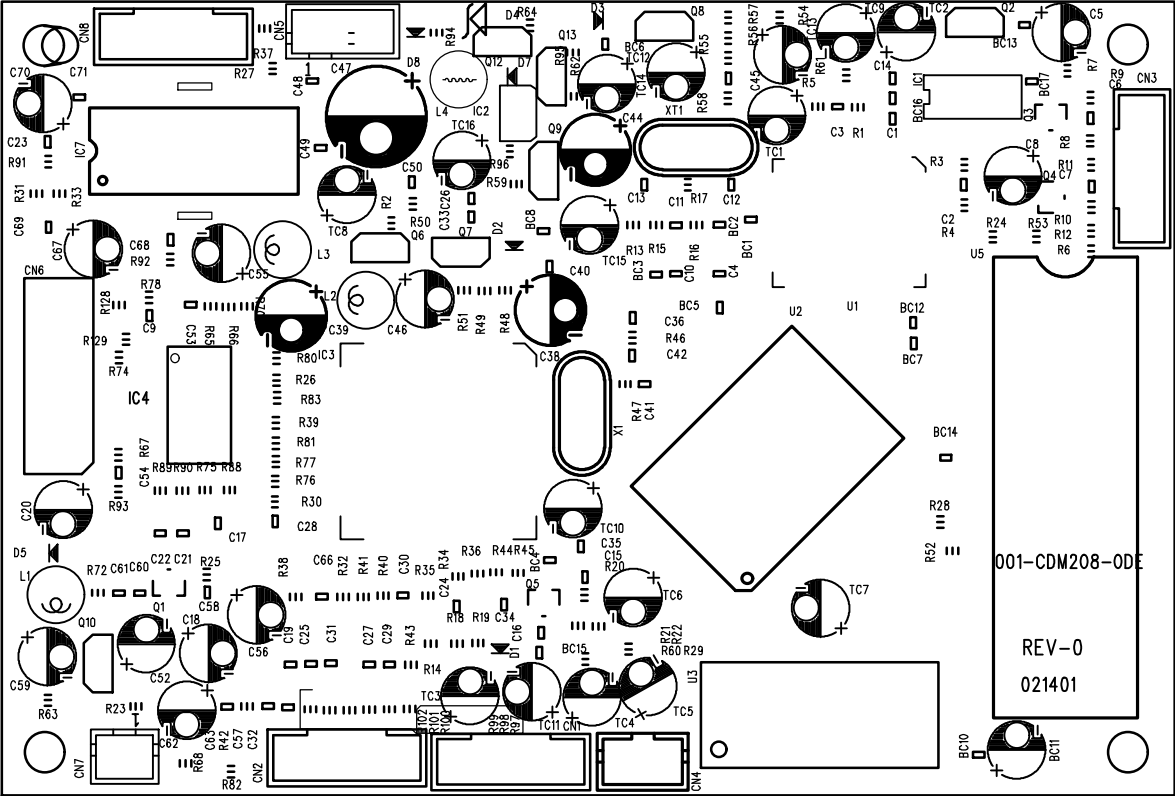












001-CDM208-0DE

REV-0

021401