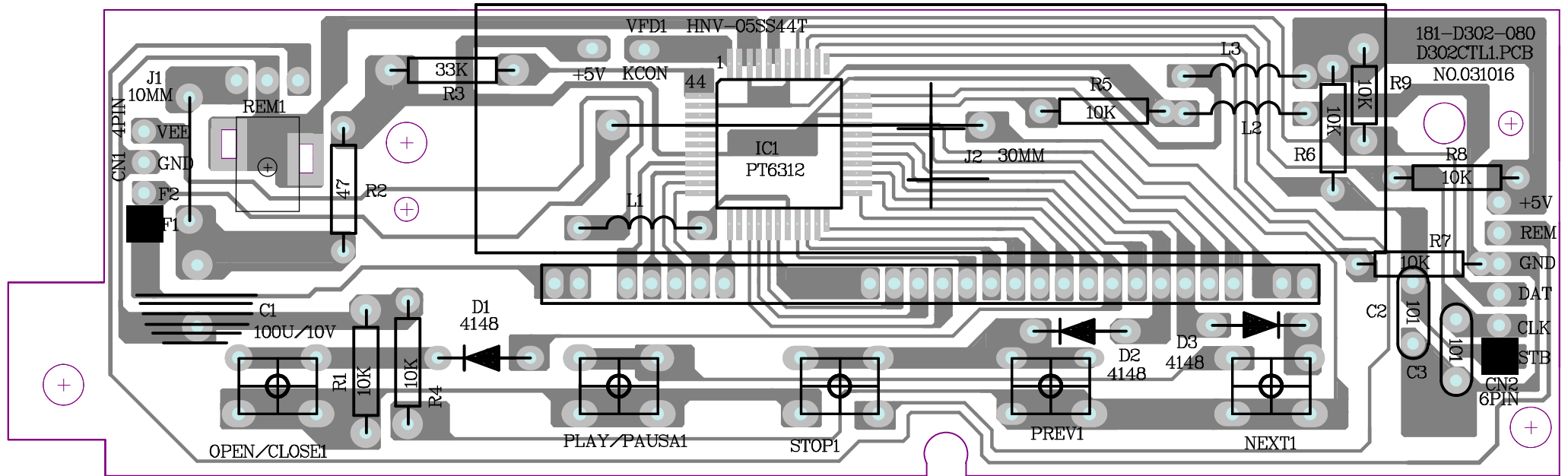


Goodmans

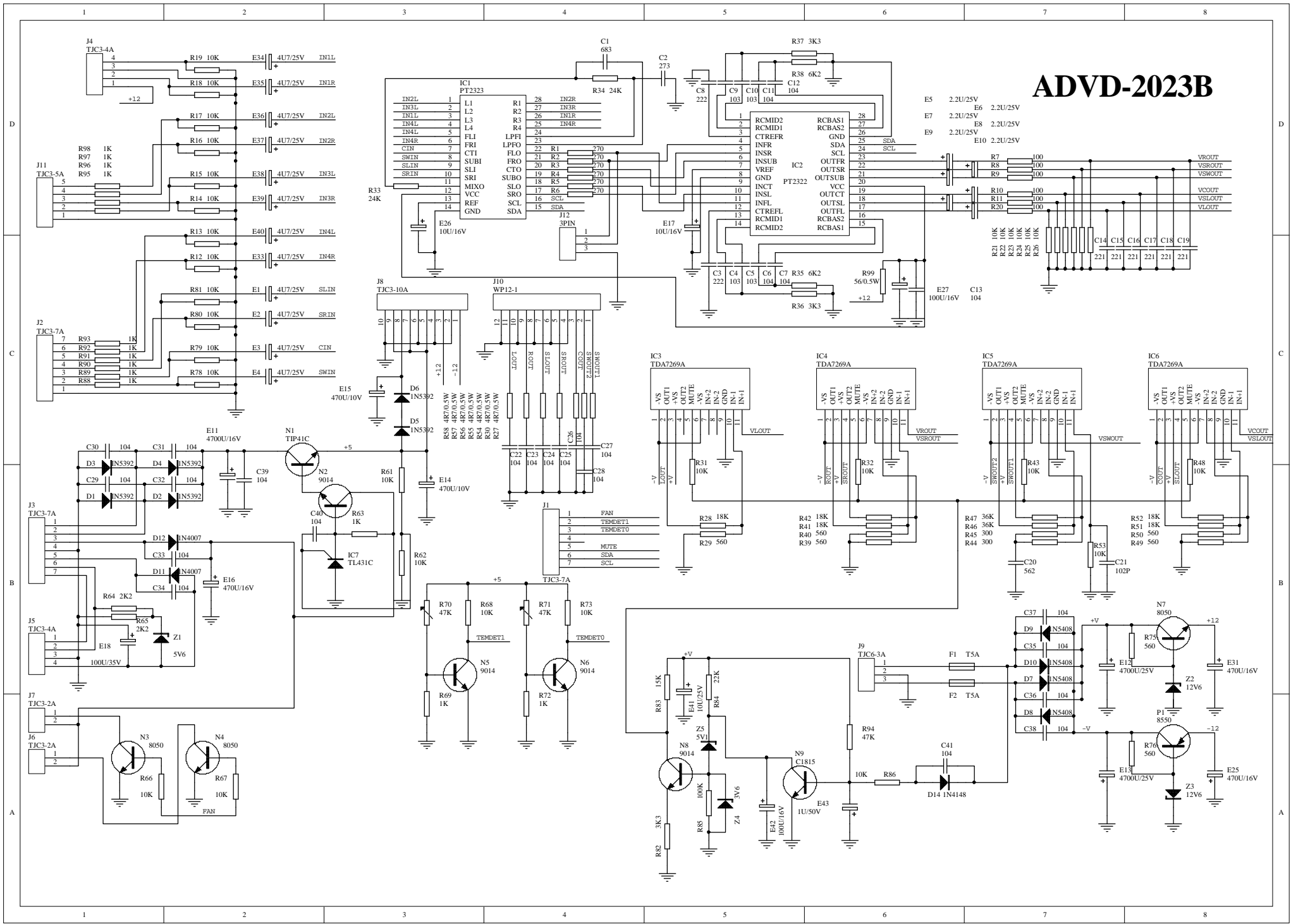


GDVD601

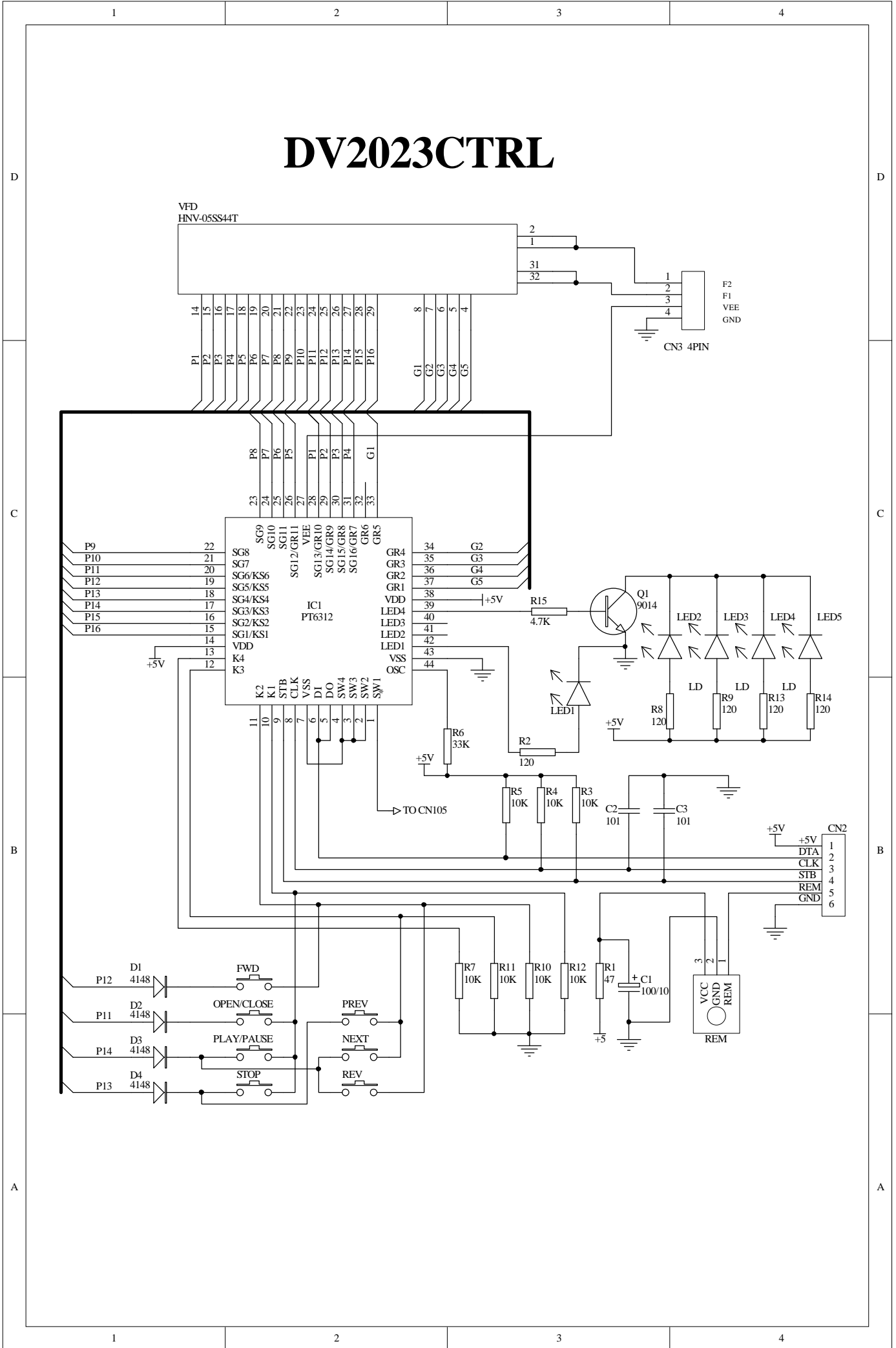
Service Manual - GDVD601

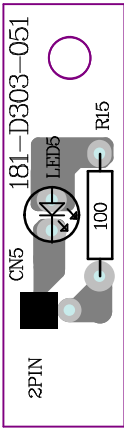
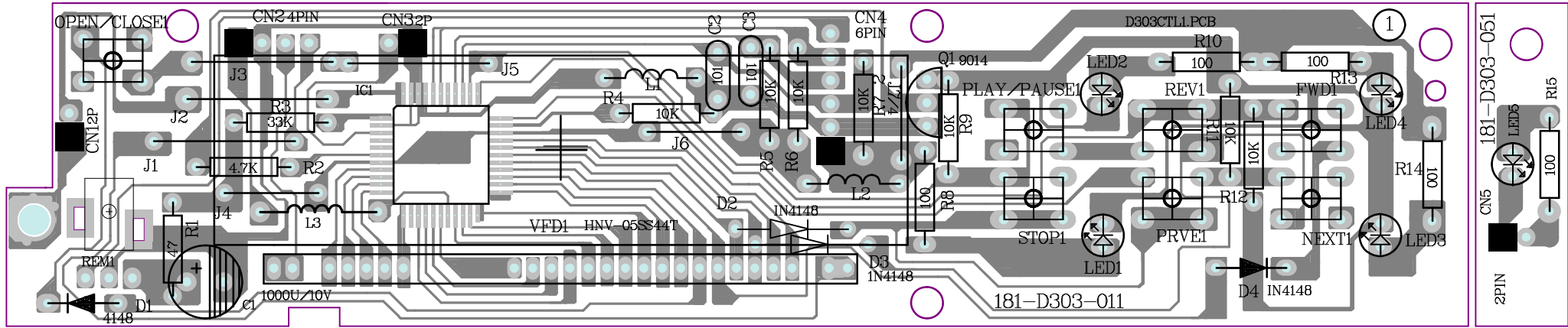


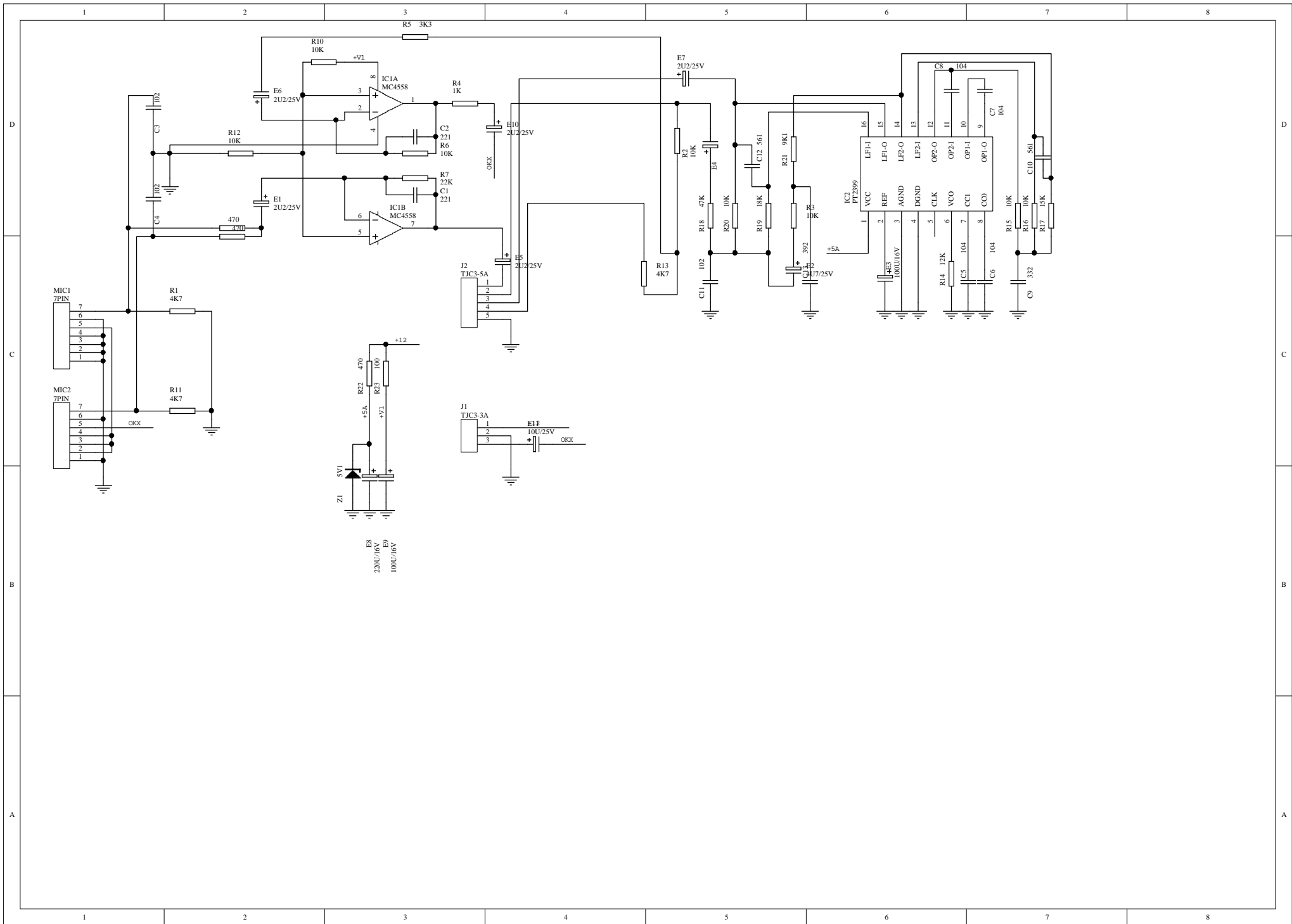
ADVD-2023B

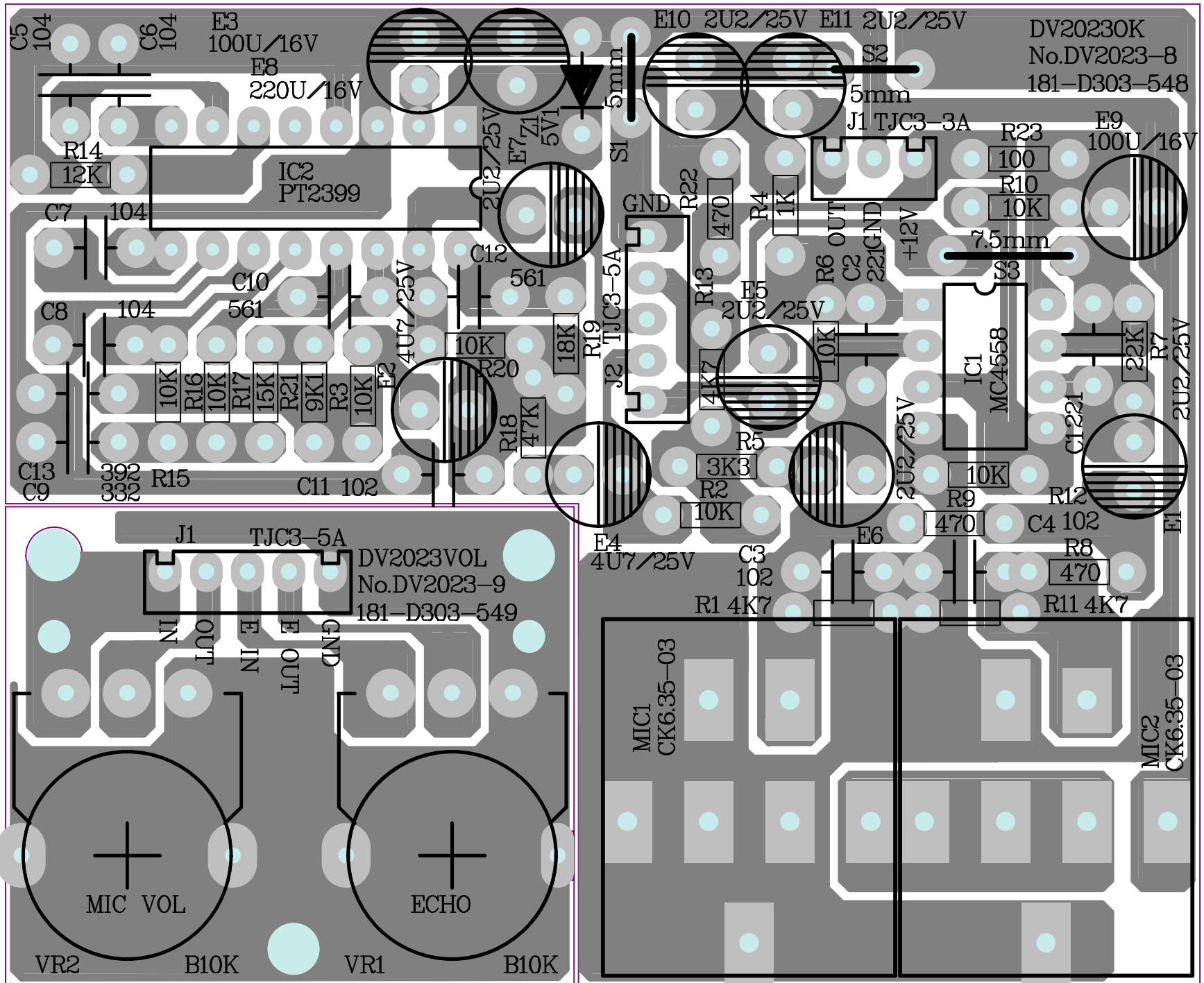


DV2023CTRL

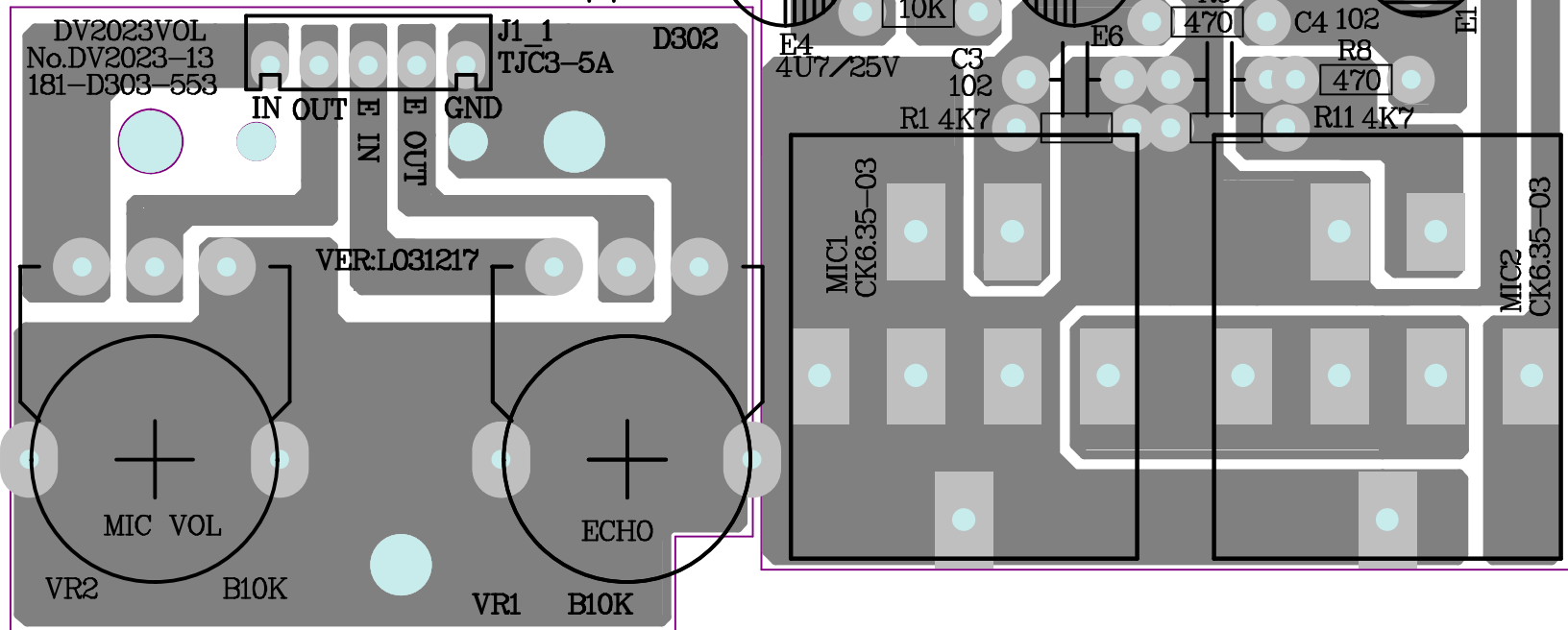
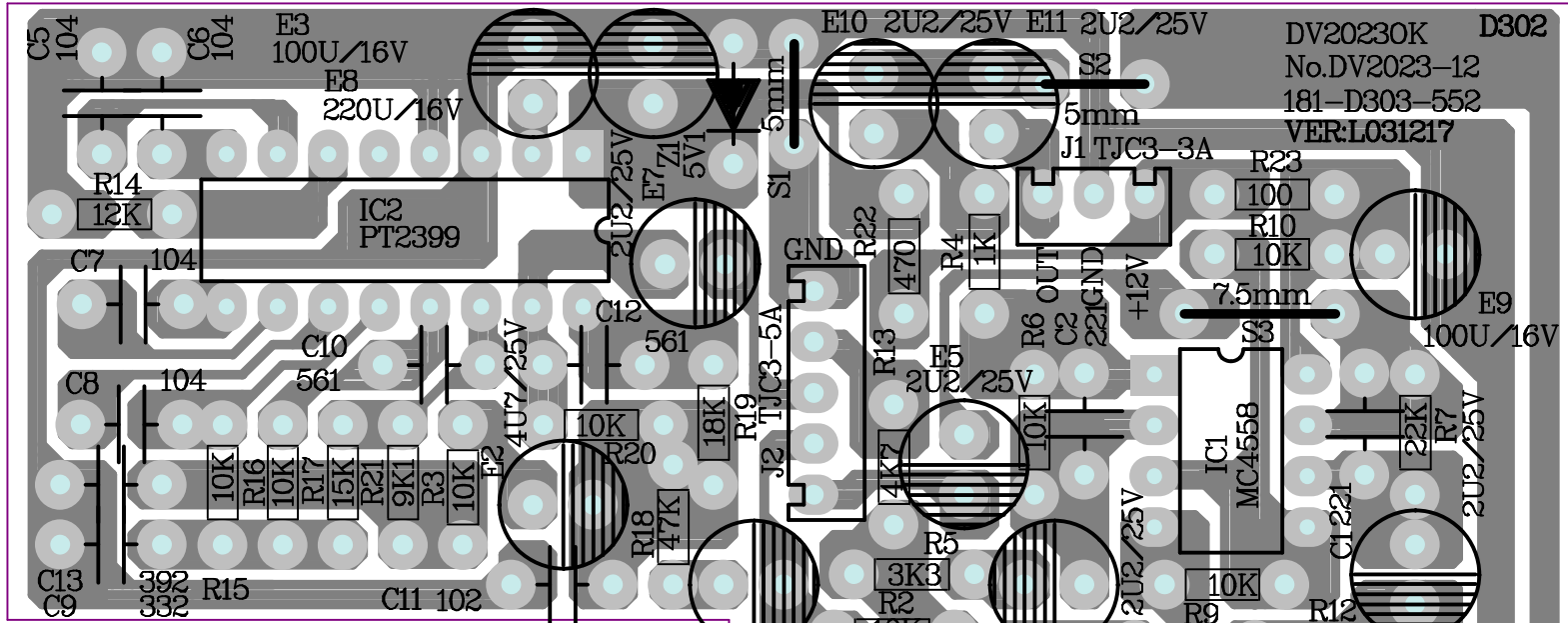




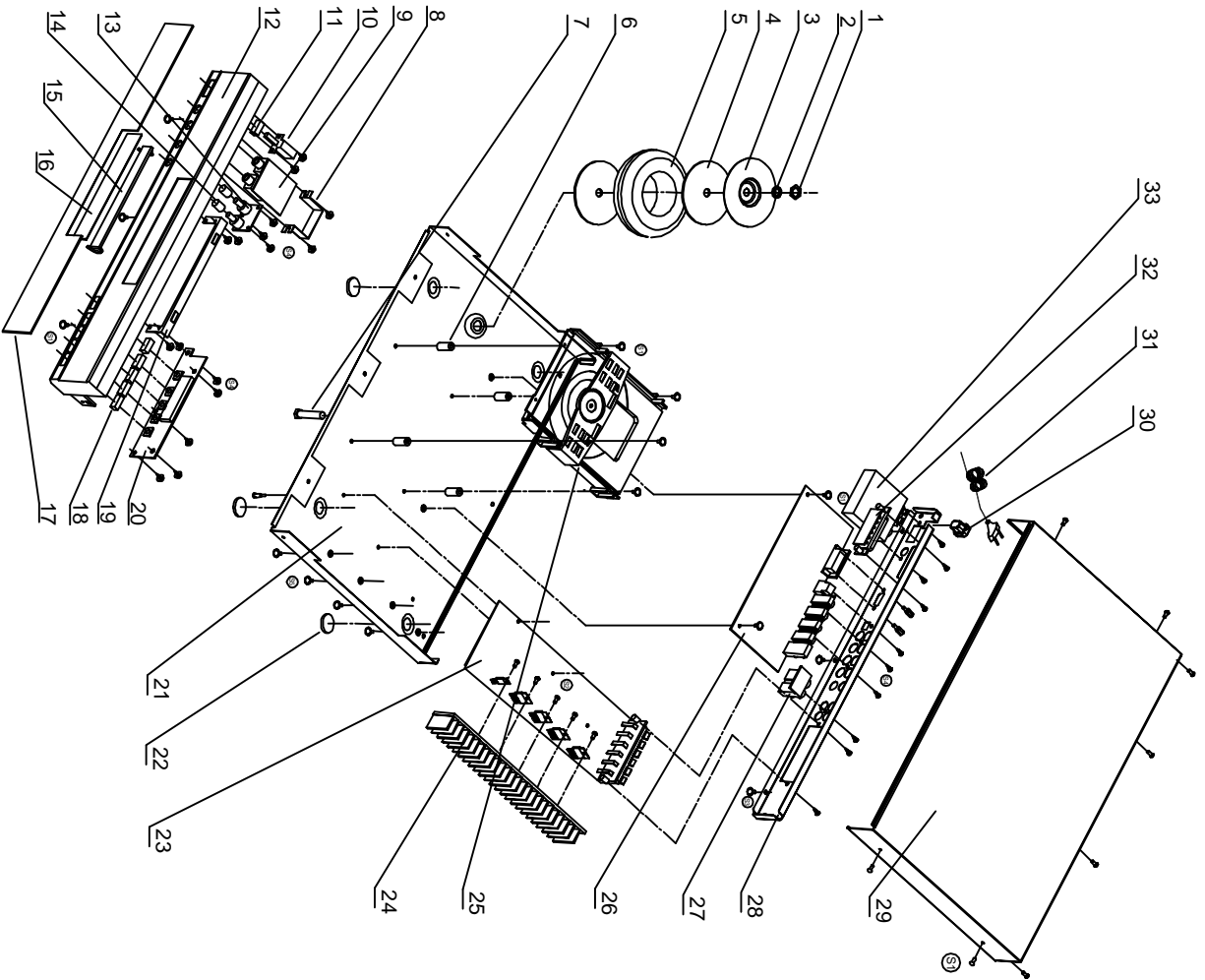




SIZE:78*60.5MM



SIZE:38.5*32.5MM



Item	Description	Qty	Item	Description	Qty
30	PLASTIC NIP	1			
29	COVER	1			
28	BACKBOARD	1			
27	RCA	1			
26	INPUT ASSY	1			
25	Mechanism Assy	1			
24	RADIATOR	1			
23	SPEAKER OUT PCB	1			
22	FOOT PIECE	4			
21	MOTHERBOARD	1			
20	DISPLAY PCB	1			
19	PANEL BRACKET	1	S1	M3X6	
18	FUNCTION KEY	5	S2	M3X8	
17	LENS(2)	1	S3	M3X4	
16	LENS(1)	1	S4	BT3X8	
15	DISK DOOR	1	S5	ST4X10	
14	MIC KNOB	2			
13	MIC SOCKET	1			
12	PANEL	1			
11	POWER KEY	1			
10	POWER SWITCH	1			
9	MIC PCB	1			
8	MIC BRACKET	1			
7	SCREW/M8	1			
6	ABS BRACE	4			
5	TRANSFORMER	1			
4	RUBBER WASHER	2			
3	COVER	1	33	RECEIVER	1
2	WASHER	1	32	SCART	1
1	NUT/M8	1	31	POWER LINE	1

Item	Part No.	Material Description	Material Specification	Qty	Position	Remarks
	7.01.2.D302V341		Parts for control panel			
1	1.01.1.47R0J031	carbon resistor	47Ω,1/8W,±5%	1	R8	
2	1.01.1.1002J031	carbon resistor	10K,1/8W,±5%	7	R1,R2,R3,R4,905,R906,R907	
3	1.01.1.5602J031	carbon resistor	56K,1/8W,±5%	1	R908	
4	1.04.1.101M0601	ceramic capacitor	100pF,50V,±20%	3	C902,C903,C904	
5	1.04.1.104M0601	ceramic capacitor	0.1uF,50V,±20%	1	C905	
6	1.04.6.107M0201	Elec	100uF,10V,±20%	1	C901	
7	1.06.1.03560001	magnetic ball	Φ3.5×6mm	2	L902,L904	
8	1.09.1.01N41481	diode	1N4148	3	D1,D2,D3	
9	1.15.3.06060501	touch switch	6×6,H=5mm	5	OPEN/CLOSE1,PLAY/PAUSE1,STOP1,PREV1,NEXT1	
10	1.31.2.00GP1U51	infrared receiving tube	GP1U5	1	REM1	
11	1.17.2.0PT63111	integrated	PT6311,QFP52	1	IC901	
12	1.18.1.C08SS471	VFD display	display ,HNVC08SS47	1		
13	1.23.1.44012101	wire	length120mm,P/N:161-440-001121	1	CN1	
14	1.23.1.66030199	wire	length300mm,P/N:161-660-099301	1	J902	
15	1.30.2.D302V341	PCB	control panel,08SS47RDS.PCB	1	128×38.5mm	
	7.01.4.D302V341		Parts for MIC board			
16	5.01.1.10000001	jumper	10mm	1	S1	
17	1.01.1.1000J031	carbon resistor	100Ω,1/8W,±5%	1	R15	
18	1.01.1.4700J031	carbon resistor	470Ω,1/8W,±5%	2	R8,R9	
19	1.01.1.1001J031	carbon resistor	1K,1/8W,±5%	3	R4,R5,R14	
20	1.01.1.4701J031	carbon resistor	4.7K,1/8W,±5%	2	R1,R11	
21	1.01.1.1002J031	carbon resistor	10K,1/8W,±5%	4	R2,R3,R10,R12	
22	1.01.1.1502J031	carbon resistor	15K,1/8W,±5%	1	R13	
23	1.01.1.2202J031	carbon resistor	22K,1/8W,±5%	2	R6,R7	
24	1.04.1.221M0601	ceramic capacitor	220pF,50V,±20%	3	C1,C2,C5	
25	1.04.2.102M0601	polyster capacitor	1000pF,50V,±20%	2	C3,C4	
26	1.04.6.106Z0401	Elec	10uF,25V,+80%/-20%	8	E1-E9	
27	1.04.6.107Z0301	Elec	100uF,16V,+80%/-20%	1	E9	
28	1.17.1.00045581	integrated	MC4558,DIP8	2	IC1,IC2	
29	1.20.2.0TJC35A1	jack	TJC3-5A	1	J2	
30	1.23.1.33322102	wire	length220mm,shielded line,P/N:161-333-002221	1	J1 to decoder board, CN12	
31	1.21.2.635037BB	MIC jack	CK6.35-03-7B,silver	2	MIC1,MIC2	
32	1.30.4.D302V341	PCB	MIC board,K18OK.PCB NO.DV2023-14	1	72×60mm	
	7.01.3.D303V501		Parts for MIC volume board			
33	1.02.B.10306302	adjustable resistor	IR,R1212N120F,B10K, F axis,20mm	2	VR1,VR2	
34	1.23.1.55580006	wire	length80mm,shielded line,P/N:161-555-006800	1	MIC jackJ2 to MIC jack volume board J1	
35	1.30.3.D303V501	PCB	MIC volume board,DV2023VOL.PCB,181-D303-553	1	38.5×32.5mm,NO.DV2023-13	
	7.01.7.D302V171		Parts for power switch board			
36	1.15.2.00A101D1	key switch	power switch,KDC-A10-1D	1	VDE ,VDE	
37	5.10.1.D303V011	insulated protection set	power switch insulated protection set	1	power switch	
38	1.30.7.D302V011	PCB	power switch board,D302POWER.PCB,181-D302-060	1	20.5×17mm,	
	7.01.G.D303V501		Parts for audio board			
39	1.21.5.AV484132	AV jack	AV4-8.4-13, up red and down white	1		
40	1.23.1.55010101	wire	length100mm,P/N:161-550-001101	1	connected to amplifier board, J11	
41	1.30.G.D303V501	PCB	audio board, DV2023AUDIO.PCB,181-D303-544	1	25×19mm,NO.DV2023-4	
	7.01.D.D303V502		Parts for SCART board			
42	1.21.4.0RC21021	SCART jack	RC2102	1		
43	1.23.1.55080001	wire	length80mm,P/N:161-550-001800	1	to decoder board, CN13	
44	1.23.1.76080002	wire	length80mm,P/N:161-760-002800	1	connected to decoder board CN14()	
45	1.30.D.D303V501	PCB	SCART BOARD,DV2023SCART.PCB,181-D303-545	1	48.5×15.5mm,NO.DV2023-5	
	7.01.D.D303V501		Amplifier board (B board)			
46	5.01.1.05000001	jumper	5mm	23	S1~S16,S18~S20,S22,S34,S68,S73	
47	5.01.1.07500001	jumper	7.5mm	17	S21,S23~S33,S36,S37,S71,S72,Z2	
48	5.01.1.10000001	jumper	10mm	14	S38~S49,S74,S75	
49	5.01.1.12500001	jumper	12.5mm	8	S35,S57~S63	
50	5.01.1.15000001	jumper	15mm	8	S51~S56,S69,S70	
51	5.01.1.17500001	jumper	17.5mm	4	S64~S67	

52	1.32.3.50013301	fuse	F5.0A/250V,	2	F1,F2
53	1.01.1.1002F031	carbon resistor	10K,1/8W,±1%	2	R61,R62
54	1.01.1.04R7J061	carbon resistor	4.7Ω,1/2W,±5%	7	R27,R30,R54~R58
55	1.01.1.56R0J061	carbon resistor	56Ω,1/2W,±5%	1	R99
56	1.01.1.1000J031	carbon resistor	100Ω,1/8W,±5%	7	S17,R7~R11,R20
57	1.01.1.2700J051	carbon resistor	270Ω,1/4W,±5%	6	R1~R6
58	1.01.1.5600J031	carbon resistor	560Ω,1/8W,±5%	8	R29,R39,R40,R44,R45,R49,R50,R76
59	1.01.1.1001J031	carbon resistor	1K,1/8W,±5%	11	R88~R93,R95~R98,R63
60	1.01.1.2201J031	carbon resistor	2.2K,1/8W,±5%	2	R64,R65
61	1.01.1.3301J031	carbon resistor	3.3K,1/8W,±5%	2	R36,R37
62	1.01.1.4701J031	carbon resistor	4.7K,1/8W,±5%	1	R82
63	1.01.1.6201J031	carbon resistor	6.2K,1/8W,±5%	2	R35,R38
64	1.01.1.1002J031	carbon resistor	10K,1/8W,±5%	24	R12~R19,R21~R26,R31,R32,R43,R48,R53,R78~R81,R86
65	1.01.1.1502J031	carbon resistor	15K,1/8W,±5%	1	R83
66	1.01.1.1802J031	carbon resistor	18K,1/8W,±5%	5	R28,R41,R42,R51,R52
67	1.01.1.2202J031	carbon resistor	22K,1/8W,±5%	1	R84
68	1.01.1.2402J031	carbon resistor	24K,1/8W,±5%	2	R33,R34
69	1.01.1.3602J031	carbon resistor	36K,1/8W,±5%	3	R46,R47,R*
70	1.01.1.4702J031	carbon resistor	47K,1/8W,±5%	1	R94
71	1.01.1.1003J031	carbon resistor	100K,1/8W,±5%	1	R85
72	1.01.1.1803J031	carbon resistor	180K,1/8W,±5%	1	R69
73	1.04.1.104M0601	ceramic capacitor	0.1uF,50V,±20%	12	C6,C12,C13,C22~C28,C39,C40
74	1.04.1.102M0601	ceramic capacitor	1000pF,50V,±20%	1	C21
75	1.04.1.221M0601	ceramic capacitor	220pF,50V,±20%	6	C14~C19
76	1.04.2.683M0601	polyster capacitor	0.068uF,50V,±20%	1	C1
77	1.04.2.273M0601	polyster capacitor	0.027uF,50V,±20%	1	C2
78	1.04.2.104M0601	polyster capacitor	0.1uF,50V,±20%	2	C7,C11
79	1.04.2.222M0601	polyster capacitor	2200pF,50V,±20%	2	C3,C8
80	1.04.2.103M0601	polyster capacitor	0.01uF,50V,±20%	4	C4,C5,C9,C10
81	1.04.2.562M0601	polyster capacitor	5600pF,50V,±20%	1	C20
82	1.04.6.105Z0601	Elec	1uF,50V,+80%/-20%	1	E43
83	1.04.6.225Z0601	Elec	2.2uF,50V,+80%/-20%	6	E5~E10
84	1.04.6.475Z0401	Elec	4.7uF,25V,+80%/-20%	12	E33~E40,E1~E4
85	1.04.6.106Z0301	Elec	10uF,16V,+80%/-20%	2	E17,E26
86	1.04.6.106Z0401	Elec	10uF,25V,+80%/-20%	1	E41
87	1.04.6.107Z0301	Elec	100uF,16V,+80%/-20%	2	E27,E42
88	1.04.6.107Z0501	Elec	100uF,35V,+80%/-20%	1	E18
89	1.04.6.477Z0201	Elec	470uF,10V,+80%/-20%	2	E14,E15
90	1.04.6.477Z0301	Elec	470uF,16V,+80%/-20%	3	E16,E25,E31
91	1.04.6.478Z0301	Elec	4700uF,16V,+80%/-20%	1	E11
92	1.04.6.478Z0401	Elec	4700uF,25V,+80%/-20%	2	E12,E13
93	1.10.1.01200051	regulated diode	12V,1/2W	1	Z3
94	1.10.1.00510051	regulated diode	5.1V,1/2W	1	Z5
95	1.10.1.00360051	regulated diode	3.6V,1/2W	1	Z4
96	1.10.1.00560051	regulated diode	5.6V,1/2W	1	Z1
97	1.09.1.01N40071	diode	1N4007	2	D11,D12
98	1.09.1.01N41481	diode	1N4148	1	D14
99	1.09.1.01N53921	diode	1N5392	2	D5,D6
100	1.09.1.01N54081	diode	1N5408	8	D1~D4,D7~D10
101	1.13.1.00090141	audion	9014,TO-92	1	N8
102	1.13.1.00080501	audion	8050,TO-92	1	N2
103	1.13.1.00085501	audion	8550,TO-92	1	P1
104	1.13.1.00C18151	audion	C1815,TO-92	1	N9
105	1.13.1.0TIP41C1	audion	TIP41C,TO-220	1	N1
106	1.17.1.00078121	integrated	LM7812,TO-220	1	N7
107	1.17.2.0PT23231	integrated	PT2323,SOP28	1	IC1
108	1.17.2.0PT23221	integrated	PT2322,SOP28	1	IC2
109	1.17.1.0TL431C1	integrated	TL431C,TO-220	1	IC7
110	1.17.1.007269A1	integrated	TDA7269A,11 foot	3	IC3,IC4,IC6
111	1.17.1.TDA72651	integrated	TDA7265,11 foot	1	IC5
112	1.20.2.0TJC63A1	jack	TJC6-3A	1	J9, connected to the transformer 1

113	1.20.2.0TJC37A1	jack	TJC3-7A	1	J3, connected to the transformer 2	
114	1.20.2.0TJC34A1	jack	TJC3-4A	1	J5	
115	1.20.2.0TJC35A1	jack	TJC3-5A	1	J11	
116	1.20.2.0TJC33A1	jack	TJC3-3A	1	J12	
117	1.23.1.77710104	wire	length100mm,shielded line,P/N:161-777-004101	1	connect to J2 decoder	
118	1.23.1.54428102	wire	length280mm,shielded line,P/N:161-544-002281	1		
119	1.23.1.AAA15198	wire	length150mm,P/N:161-AAA-098151	1		
120	1.24.1.18010101	single line	length100mm,1007,18#,black,P/N:166-100718-0101	1		
121	1.23.1.93310101	wire	length100mm,P/N:161-933-001101	1		
122	1.22.2.00WP1211	clip	WP12-1,	1	J10	
123	5.02.1.02502401	isinglass insulated slice	25×24mm	4		
124	5.02.1.02502001	isinglass insulated slice	25×20mm	1		
125	5.03.1.03R00301	insulated washer	Φ3×6×3mm,PVC washer	5		
126		silicon		0.5g	white	
127	1.30.A.D303V501	PCB	amplifier, DV-2023B,NO.DV2023-1,181-D303-541	1	250×90.5mm	
128	2.08.5.D3030050	heat dispensor	demension drawing:D303V50SH.DWG,	1	D303V50SH.DWG	
129	2.20.1.30081221	screw	M3×8,white,	5	amplifier (5)	
130	2.20.2.30061222	screw	ST3×6,black,	1	heat dispensor(1)	
			decoder			
131	1.23.1.55512193	wire	length120mm,P/N:161-555-093121	1	CN7 to the main parts	
132	1.23.1.55528107	wire	length280mm,P/N:161-555-007281	1	CN3(PIN space , 2.0mm)	
133	1.23.2.66618199	soft wire	length180mm,P/N:161-666-099181	1	CN4(PIN 2.0mm)	
134	1.23.3.SSS26101	flat soft film wire	length260mm,26P/0.5 space,P/N:161-SSS-001261	1	CN2 connect to the loader.	
135	7.05.2.00CBD2B1	loader stand	CBD-□ B	1		
136	7.05.1.SONY2801	laser	SONY 280	1		
137	7.01.1.M1379010	decoder board	MTK1379,702-M1379-010	1	without VGA, with RDS	
138	7.02.1.YST939D1	radio parts	YST939-D	1	with FM/AM antenna	
			Assebling			
139	1.25.2.15012752	power cable	flat 2 VDE ,length 1.5M, conductor 2×0.75mm ²	1		
140	5.09.1.D303V011	power cable clip	big power cable clip	1		
141	1.07.3.08003503	transformer	230V,50Hz,80W,	1		
142	2.20.1.80409021	screw	M8×40, six angles	1		
143	2.21.1.08R00101	nut	M8, six angles	1		
144	2.22.1.08R20801	flat washer	outside demension Φ17, inside Φ8.2, thickness 0.8mm	1		
145	2.22.2.08R21501	spring washer	insideΦ8.2,thickness 1.5mm	1		
146	2.18.1.00020231	transformer cover	2023 transformer cover	1		
147	5.15.1.00020231	transformer mat	2023 transformer mat	2		
148	5.06.1.03005001	pyrodensation	Φ3×50mm	0.1m		
149	1.32.1.25013201	fuse	T2.5A,250V, time extending type	1	VDE standard ,with VDEcertificate	
150	1.33.3.10000001	fuse tube set	fuse tube set, with 100mm	1		
151	4.12.6.000T25A1	sticker	T2.5A	1		
152	7.03.5.D302V341	front panel set	GOODMANS GDVD601, front panel set	1	serigraphic:D302V34FP_GDVD601.cdr	
153	2.02.5.D3025017	bottom	demension drawing:D302V17BC.DWG,spraying grey	1		
154	2.03.5.D3026034	back panel	demension drawing:D302V25RC.DWG, spraying black	1	serigraphic:D302V34RS_GDVD601.cdr	
155	2.04.5.D3024017	top cover	demension drawing:D302V17TC.DWG,spraying silver	1		
156	2.06.1.D3020001	front panel stand	demension drawing:D302V1FS.DWG,Elec	1		
157	2.06.3.D3020017	MIC washer	demension drawing:D302V17MS.DWG,Elec	1		
158	2.20.1.30047221	screw	M3×4,white,	4	machine foot2), front panel (2)	
159	2.20.1.30042221	screw	M3×4,white,	3	back cover (3)	
160	2.20.1.30061221	screw	M3×6,white,	2	decoder board(2)	
161	2.20.1.30062221	screw	M3×6,white,	13	bottom(1),loader(4),cover(8)	
162	2.20.2.30061222	screw	ST3×6,black,,	2	MIC jack(2)	
163	2.20.2.40101222	screw	ST4×10,black,,	4	heat dispensor (4)	
164	2.20.2.30081231	screw	BT3×8,white,Φ5.2 ,	14	control panel(5),IR board(3),power switch(2), front panel stand(4)	
165	2.20.2.30081232	screw	ST3×8,black,,	11	decoder board(4),input jack(1),output jack(2), radio head(2),SCART board(2)	
166	3.17.1.05000101	holder	H=5mm,downΦ10 Φ4	2	amplifier board	

167	5.04.1.03080001	nylon string	3×80mm	6	
168	5.05.1.20080401	square sponge mat	20×8×4mm	3	fixing display and loader stand
169	5.05.2.15R00501	round sponge mat	Φ15×5mm, machine foot	4	
170	5.03.2.03R00081	wooden washer	inside Φ3, outside Φ8, red, thickness 0.8mm	2	used for control panel(2)
171	8.05.1.D302V341	DVD single player	GOODMANS GDVD601	1	
			Packing material		
172		speaker set	GDVD601 with speaker set	1	
173	1.26.1.12010002	three cable	1.2m,	1	packed in the plastic bag
174	1.26.4.15010001	SCART cable	1.5m	1	
175	4.05.1.002023H1	packing foam	ADVD-2023-H	1set	
176	4.06.1.18513080	foam board	185×130×110mm	1	
177	4.06.1.29014012	foam board	470×260×12mm	1	
178	4.02.1.D302V341	color box	GOODMANS GDVD601,485×285×450mm	1	
179	4.07.3.26018001	sealed bag	260×180mm	2	
180	4.07.2.32023001	plastic bag	330×230mm,	1	packing the intructions manual
181	4.07.2.41060001	transparent bag	410×600mm,	1	
182	4.10.M.D302V341	instructions manual	GDVD601,six languages	1	
183		warrantee bag	warrantee card with multi-language	1	
184		sequence sticker	45×10, as per purchase contract	2	stick to the back of the machine
185		date sticker		1	
186		speaker sticker		5	
187		weight warning sticker		1	
188		remote controller sticker		1	
189		laser sticker		1	
190		sticker		1	sticker near the bar code
191		loader stand sticker		1	stick to the loader stand ,
192		six languages warning sticker		1	inside the player, near to the laser,
193		Croatia order sticker		1	as per requirement of the purchase contract
194		Czech order sticker		1	as per requirement of the purchase contract
195		AM antenna		1	packed in the plastic bag
196		FM 75Ω antenna		1	packed in the plastic bag
200	4.07.9.0603102C	semi-transparent	2C×60×310mm	1	
197	5.11.1.AAA00001	battery	7#	1	
198	8.50.1.00R30231	remote controller	R302E, trade mark "GOODMANS"	1	packed in the plastic bag
199	9.05.1.D302V341	DVD amplifier	ADVD player,GDVD601	1	
			ENDING		

Item description: I=parts to insert S=parts to weld C=parts to assemble P=parts for packing

Material grade is classified by the effect of the finished product quality as A, B and C.

A□Very important B□important C□common The supplier of A grade shall be certified with ISO.