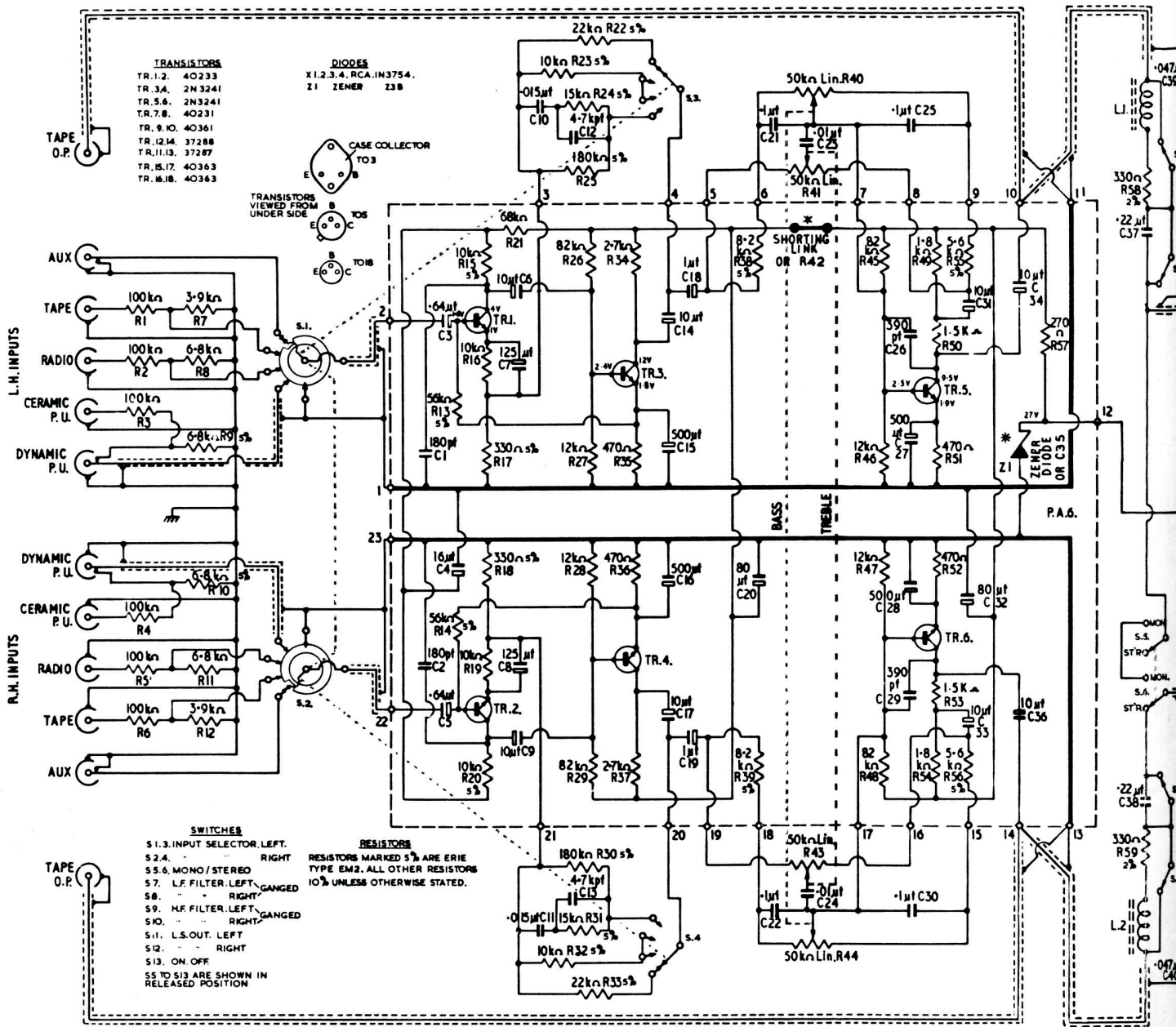
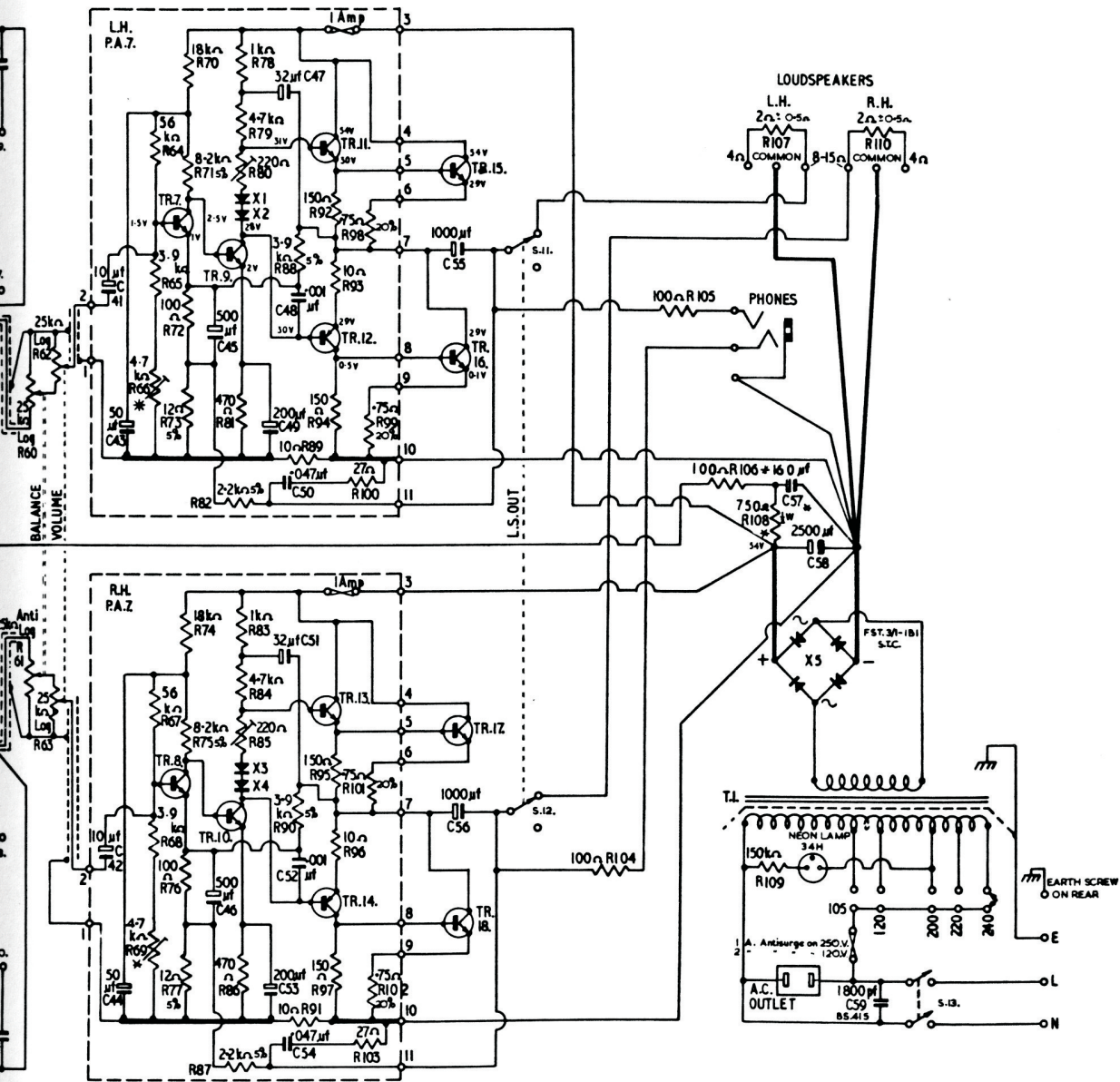


# MAXAMP 30 STEREO AMPLIFIER CIR



ALL VOLTAGES MEASURED ON AVO MODEL 8 (NOT USING 2.5V RANGE) RESPECT TO CHASSIS AND UNDER NO SIGNAL CONDITIONS.  
 VOLTAGES SHOWN FOR THE LEFT HAND CHANNEL APPLY EQUAL

# CIRCUIT DIAGRAM



### \* MODIFICATIONS

COMPONENTS MARKED WITH A \* HAVE THE FOLLOWING ALTERNATIVE VALUES OR ALTERATIONS ON SOME EARLY PRODUCTION AMPLIFIERS:-

- R42 220 OHM RESISTOR IN PLACE OF SHORTING-LINK
- R66 22 K
- R69 22 K
- R106 560 OHM
- R108 1.2 K
- C35 32 mfd. CONDENSER IN PLACE OF ZENER DIODE Z1
- C57 64 mfd.

(ARE) ARE POSITIVE WITH

TO THE RIGHT HAND CHANNEL