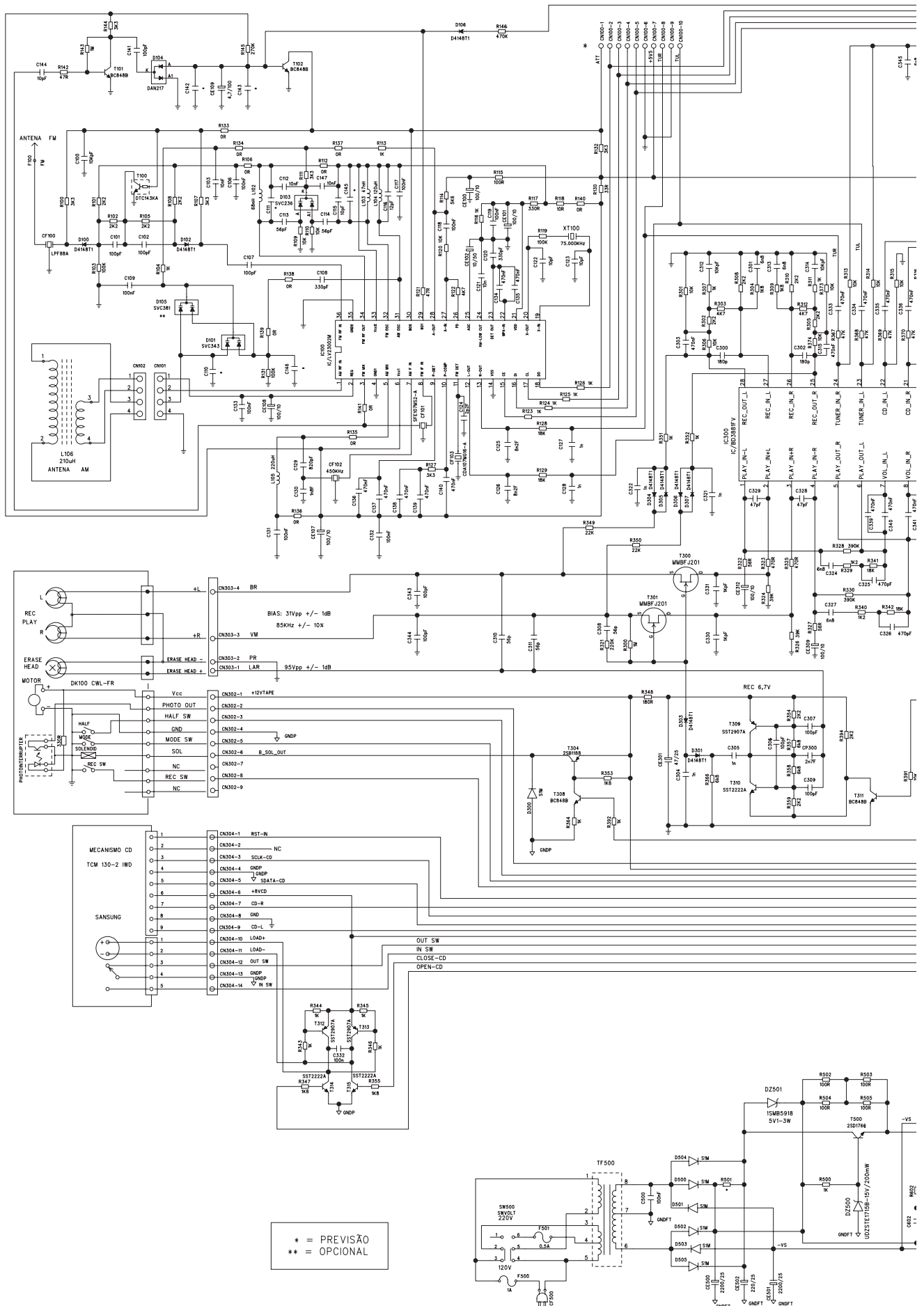
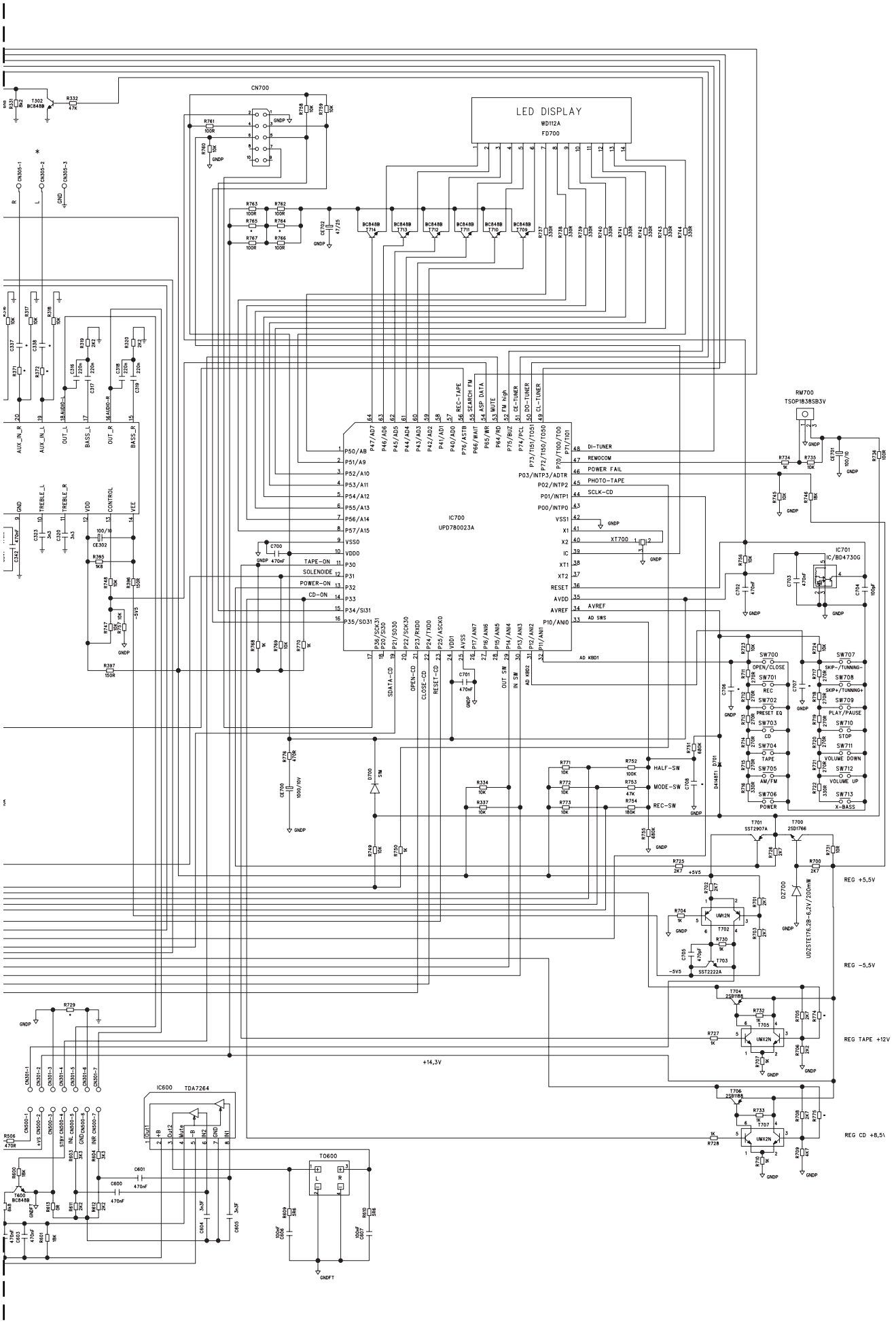


ESQUEMA ELÉTRICO PRINCIPAL AS-200



* = PREVISÃO OPCIONAL
 ** = OPCIONAL



IC700
UPD780023A

LED DISPLAY
WD12A
FD700

RM700
TSOP1838B3V

IC701
IC/BD4730G

T0600

T0601

REG +5.5V

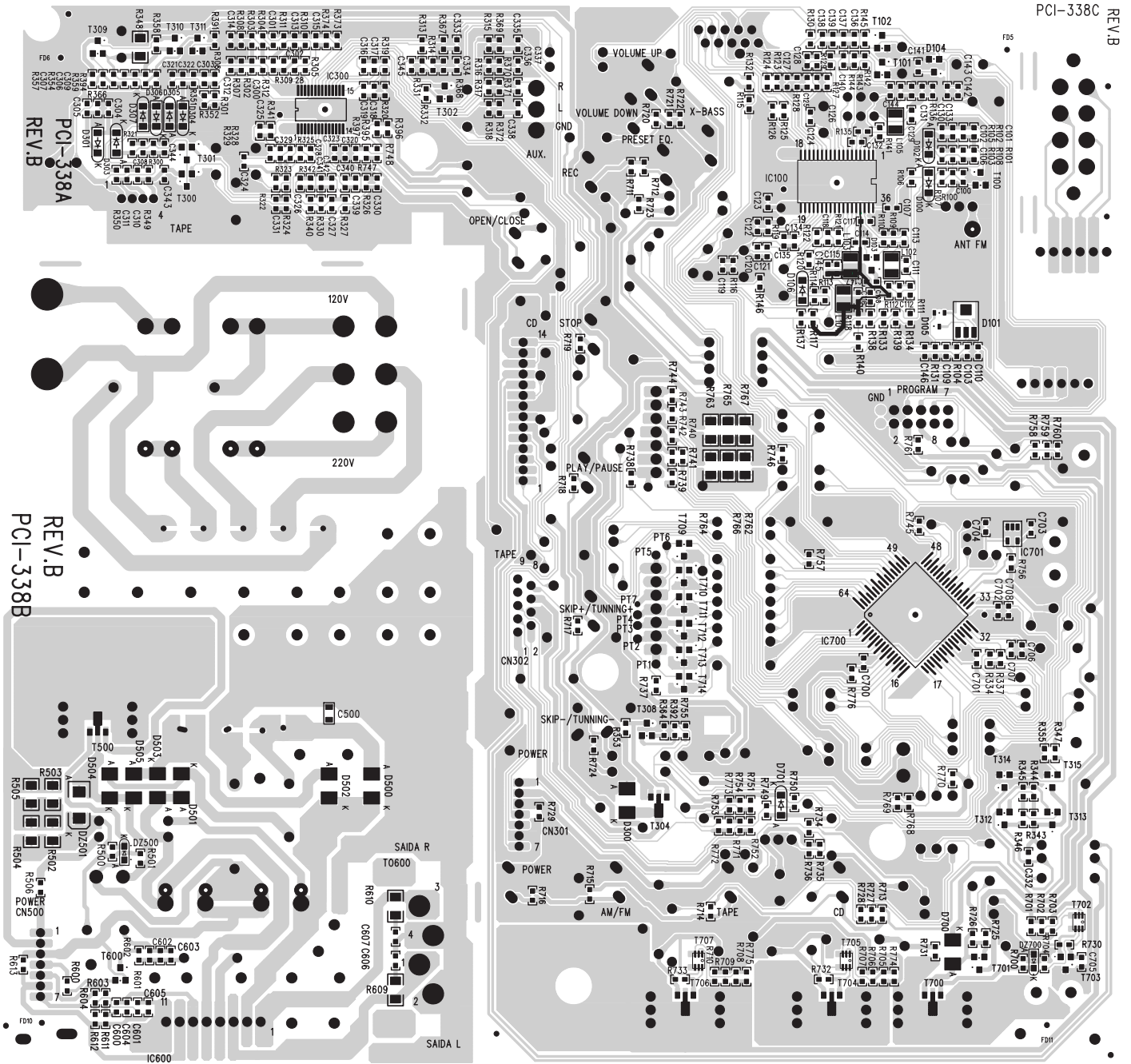
REG -5.5V

REG TAPE +12V

REG CD +8.5V

+14.3V

GNDF



PCI-338C REV.B

PCI-338A REV.B

REV.B PCI-338B

COBRE

COB