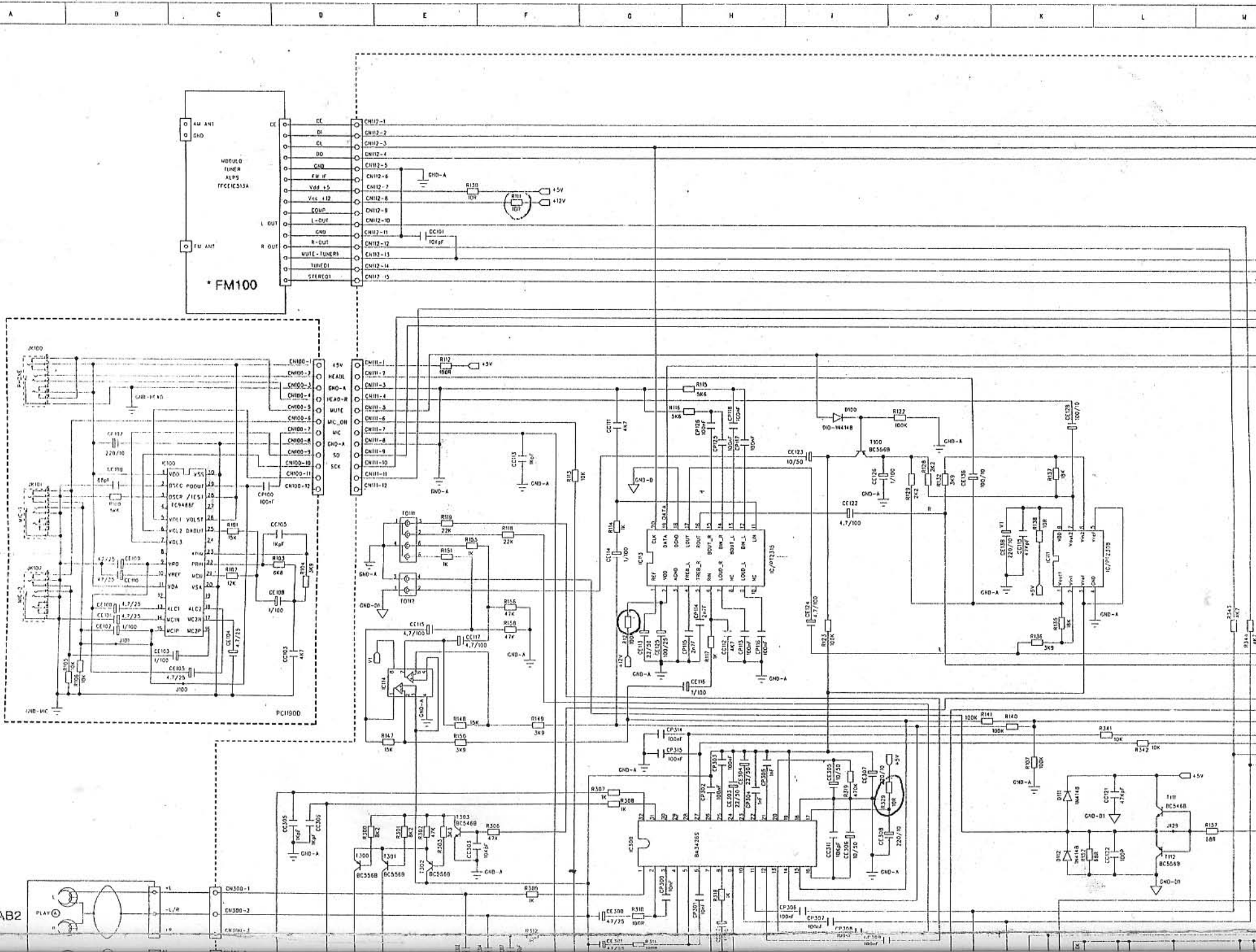
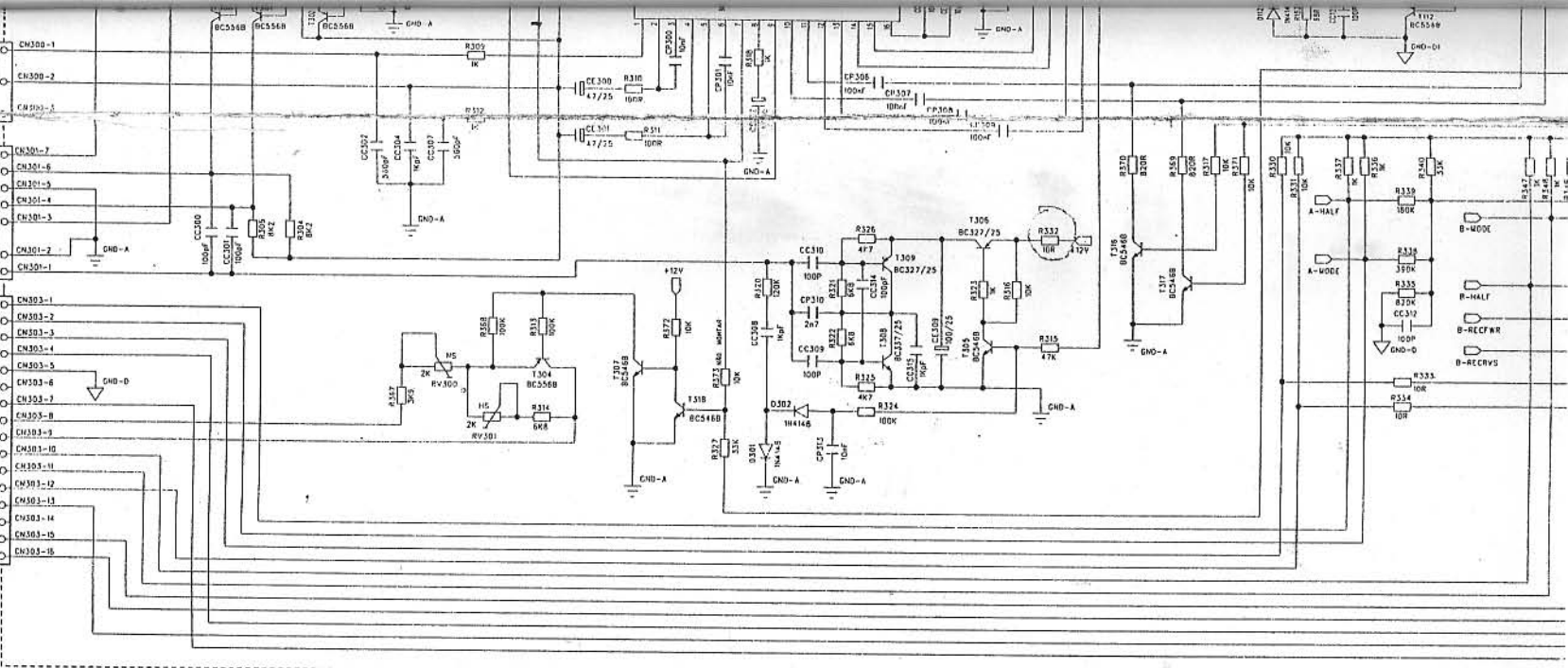
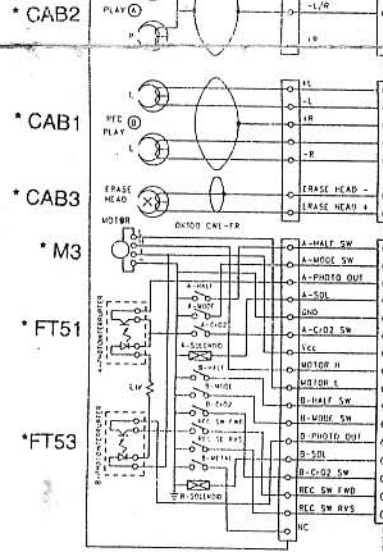


ESQUEMA ELÉTRICO PCI PRINCIPAL (PCI190A)



10

20



ITEM	PRODUTO		
	E-1200	E-2200	E-4200
F500	0,8A	1,6A	1,6A
F501	1,6A	3,15A	3,15A
R510	X		
R511	X		
J510	X	X	X
J511	X	X	X
J517	X	X	X
J500	X	X	X
J501	X		
B504	X	X	X
B507	X		
CE500	X		
R615	270R	220R	220R
R616	270R	220R	220R

