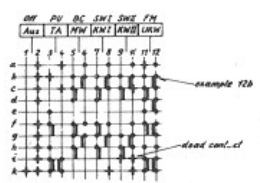
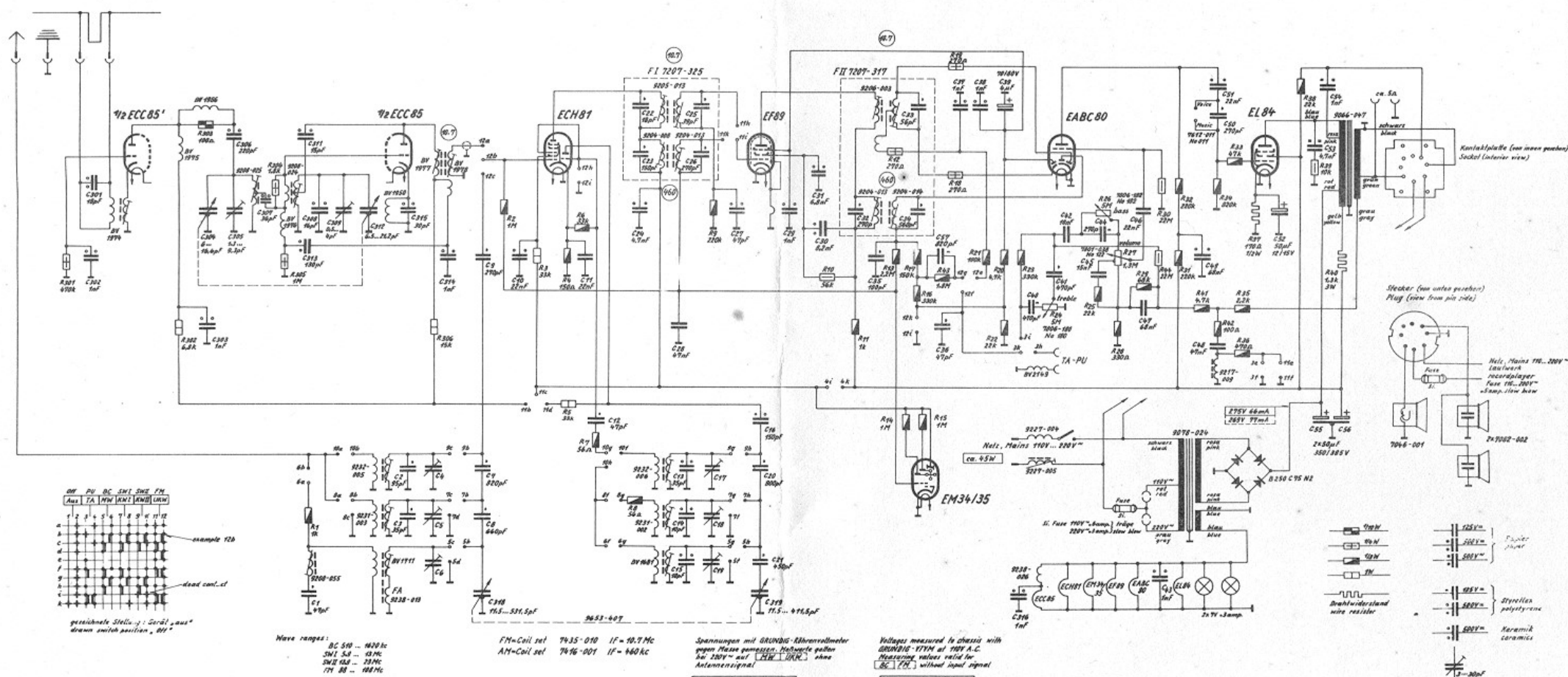
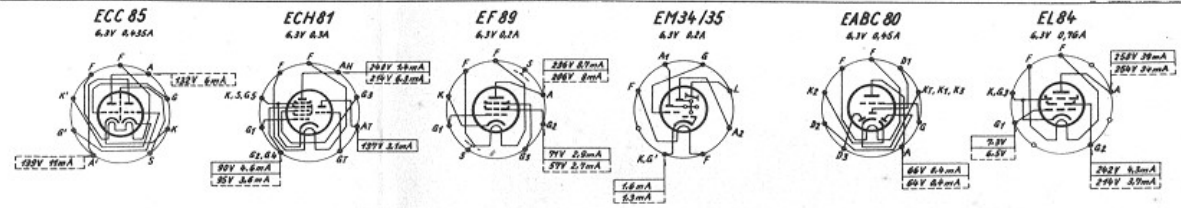


GRUNDIG *Majestic*
„Model 7000 / 7015 USA“



Wave ranges:
BC 510 - 1670 Kc
SW1 SA - 13 Mc
SW2 SA - 13 Mc
FM 88 - 108 Mc

FM-Coil set 74-15-010 IF - 10.7 Mc
AM-Coil set 74-76-001 IF - 460 Kc

Spannungen mit GRUNDIG-Mikrovoltmeter gegen Masse gemessen. Halbwerts geben bei 250V auf $\sqrt{2}$ umgerechnet ohne Antennensignal

Voltages measured in chassis with GRUNDIG-1717M at 100V A.C. Measuring values valid for BC-170, without signal

Änderungen vorbehalten
printed in W-Germany

Alterations reserved

G.Nr. c 119

C:	307, 307.	303, 304, 305, 306, 307.	1, 311, 308, 316, 309, 312, 2, 2, 315, 4, 5, 6, 310.	7, 8, 9, 318, 10.	11.	12, 12, 13, 24, 18, 13, 20, 15, 15, 26, 27, 18, 20, 21, 310, 23, 30, 31.	32, 35.	38, 34.	57, 36, 37, 38.	39, 316, 40, 41, 42, 45, 46.	46, 47, 43.	48, 49, 50, 51.	52, 53, 55, 54, 56.		
R:	301.	302, 303.	304, 305, 1.	306.	2.	3.	4, 5, 6, 7.	8.	9.	10.	11, 11, 13, 14, 16, 17.	15, 10, 19, 43, 21, 22, 20, 23.	24.	25, 26, 27, 28, 29, 30, 44, 31, 32, 41, 34, 42, 33, 35, 36, 37.	38, 39.