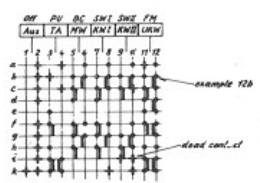
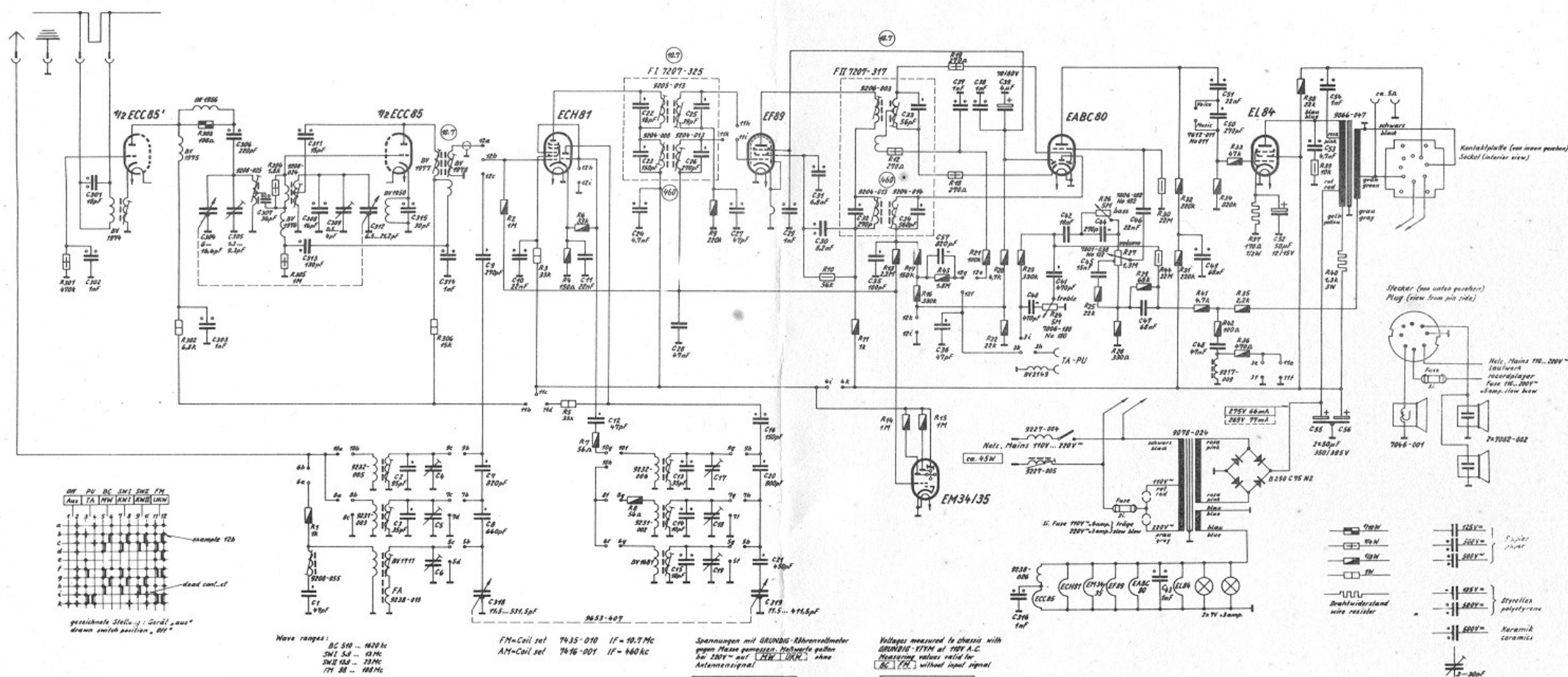
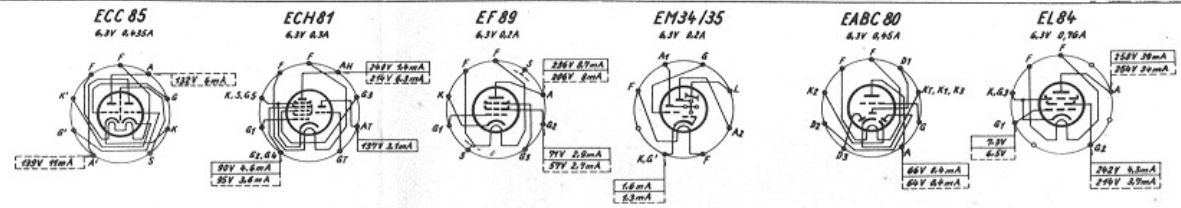


GRUNDIG *Majestic*
„Model 7000 / 7015 USA“



Wave ranges:
BC 510 - 1670 Kc
SW1 54 - 13 Mc
SW2 68 - 13 Mc
FM 88 - 108 Mc

FM-Coil set 74-15-010 IF - 10.7 Mc
AM-Coil set 74-16-001 IF - 460 Kc

Spannungen mit GRUNDIG-Mikrovoltmeter
gegen Masse gemessen. Halbwerts geben
bei 200V auf $\sqrt{2}$ umzurechnen ohne
Antennensignal

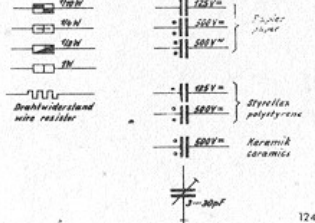
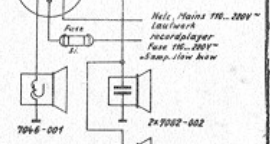
Voltages measured in chassis with
GRUNDIG-171M at 100V A.C.
Measuring values valid for
BC-170, without signal

Änderungen vorbehalten
printed in W-Germany

Alterations reserved

Kontaktplatte (see inner picture)
Socket (interior view)

Stecker (see outer picture)
Plug (view from pin side)



G.Nr. c 119

C:	307, 301,	302, 304, 305, 306, 307,	1, 311, 308, 316, 309, 312, 2, 2, 315, 4, 5, 6, 310,	7, 8, 9, 318, 10,	11,	12, 12, 13, 24, 18, 13, 20, 15, 15, 26, 27, 18, 28, 21, 310, 29, 30, 31,	32, 35,	38, 34,	57, 36, 37, 38,	39, 316, 40, 41, 42, 45, 44,	46, 47, 43,	48, 49, 50, 51,	52, 53, 55, 54, 56,
R:	301,	302, 303,	304, 305, 1,	306,	2,	3, 4, 5, 6, 7,	8,	9,	10,	11, 11, 13, 14, 16, 17, 15, 10, 19, 43, 21, 22, 20, 23,	24,	25, 26, 27, 28, 29, 30, 44, 31, 32, 41, 34, 42, 33, 35, 36, 37,	38, 39, 40,