



## List of Spare-Parts · Liste de pièces détachées · Lista ricambi

CN 930 HiFi

(Z.-Nr 32023-1061/91)

Pos. No.	Fig. No.	Bestell-Nr./Part No. Réf./Nr. d'ordinazioni	Benennung	Description	Désignation	Denominazione
			<u>Gehäuse, schwarz/metallic</u>	<u>cabinet, black/met.</u>	<u>Boîtier noir/métal.</u>	<u>Mobile, nero/metallico</u>
1	1	32023-178.02	Gehäuse-Oberteil kpl.	cabinet upper half compl.	Boîtier sup. cpl.	Parte superiore mobile
1.1	1	32023-185.02	Zierblende	legend plate "CN 930"	Enjoliveur	piastra ornamentale
1.2	1	32023-187.00	Zählwerkfenster	pos. indicator window	Fenêtre compteur	vetrino contagiri
1.3	1	32023-189.02	Schriftblende	legend plate	Enjoliveur	piastrina con scritta
1.4	1	32023-190.02	Zierstreifen (schwarz/ met.)	legend strip "CN 930" (black/met.)	Enjoliveur (noir/métal)	striscia ornamentale (ner/metallico)
1.5	1	32023-181.00	2x Seitenteil kpl.	cabinet side plate compl.	Côté cpl.	fianco compl.
1.6	1	32023-186.00	Kontaktfeder	contact spring	Contact	molla di contatto
2	1	32023-197.02	Kassettendeckel kpl.	cassette inserting lid	Couvercle logt cas.cpl	sportello cassetta
2.1	1	32023-199.00	Fenster	cassette lid window	Voyant	finestrella
2.2	1	32023-202.02	Zierblech	cassette lid orn.plate	Enjoliveur	piastra ornamentale
2.3	1	05100-195.00	2x Blattfeder	leaf spring	Ressort	molla piatta
2.4	1	32004-171.00	2x Anschlagdämpfung	cushion	Amortisseur	ammortizzatore
			<u>Gehäuse, metallic</u>	<u>cabinet, metallic</u>	<u>Boîtier métal.</u>	<u>Mobile, metallico</u>
1		32023-178.01	Gehäuse-Oberteil kpl.	cabinet upper half	Boîtier sup. cpl.	parte superiore mobile
1.1		32023-185.01	Zierblende	legend plate "CN 930"	Enjoliveur	piastra ornamentale
1.2		32023-187.00	Zählwerkfenster	pos. indicator window	Fenêtre compteur	vetrino contagiri
1.3		32023-189.01	Schriftblende	legend plate	Enjoliveur	piastrina con scritta
1.4		32023-190.01	Zierstreifen (met./schwarz)	legend strip "CN 930" (met./black)	Enjoliveur (métal./noir)	striscia ornamentale (metall./nero)
1.5		32023-181.00	2x Seitenteil kpl.	cabinet side plate	Côté cpl.	fianco compl.
1.6		32023-186.00	Kontaktfeder	contact spring	Contact	molla di contatto
2		32023-197.01	Kassettendeckel kpl.	cassette inserting lid	Couvercle logt.cas.cpl.	sportello cassetta
2.1		32023-199.00	Fenster	cassette lid window	Voyant	finestrella
2.2		32023-202.01	Zierblech (aluf.)	cassette lid orn.plate	Enjoliveur (alu)	piastra ornamentale
2.3		05100-195.00	2x Blattfeder	leaf spring	Ressort	molla piatta
2.4		32004-171.00	2x Anschlagdämpfung	cushion	Amortisseur	ammortizzatore
<u>ab Pos. 3 sind beide Ausführungen gleich:</u>				<u>from pos. 5 for both cabinet</u>	<u>Les 2 versions sont identiques à partir de la pos. 3</u>	<u>Parti in comune:</u>
3	1	32023-192.00	Riegel (schwarz)	locking slider (black)	Verrou (noir)	barretta di blocc.
4	1	32023-194.00	Druckknopf kpl.	push button compl.	Bouton cpl.	tasto compl.
5	1	32011-198.00	Stabfeder	rod spring	Ressort	molla a bastoncino
6	1	31022-310.00	2x Schiebeknopf	slider knob	Bouton	manopola a slitta
7	1	31022-313.00	2x Knopfschlitten	knob guide	Glissière	slitta della manopola
8	1	32023-203.00	2x Zugfeder (25 Wdg.)	ext.spring (25 turns)	Ressort (25 sp.)	molla di trazione
9	1	32023-205.11	Gehäuseboden kpl. (schwarz)	bottom compl. (black)	Fond cpl. (noir)	fondale mobile compl. (nero)
9.1	1	32023-208.00	2x Druckfeder (6 Wdg.)	compr.spring (6 turns)	Ressort (6 sp.)	molla di pressione
9.2	1	09666-874.00	4x Fußbeinsatz	foot insert	Pied	piedino
			<u>Chassisteile</u>	<u>parts for chassis</u>	<u>Châssis</u>	<u>Sezione chassis</u>
20	2	32023-021.00	Montagerahmen kpl.	mounting frame compl.	Cadre cpl.	cornice di montaggio
21	2	05151-032.00	Kollektorfedersatz kpl.	collector spring set	Contact cpl.	unità molle del colle.

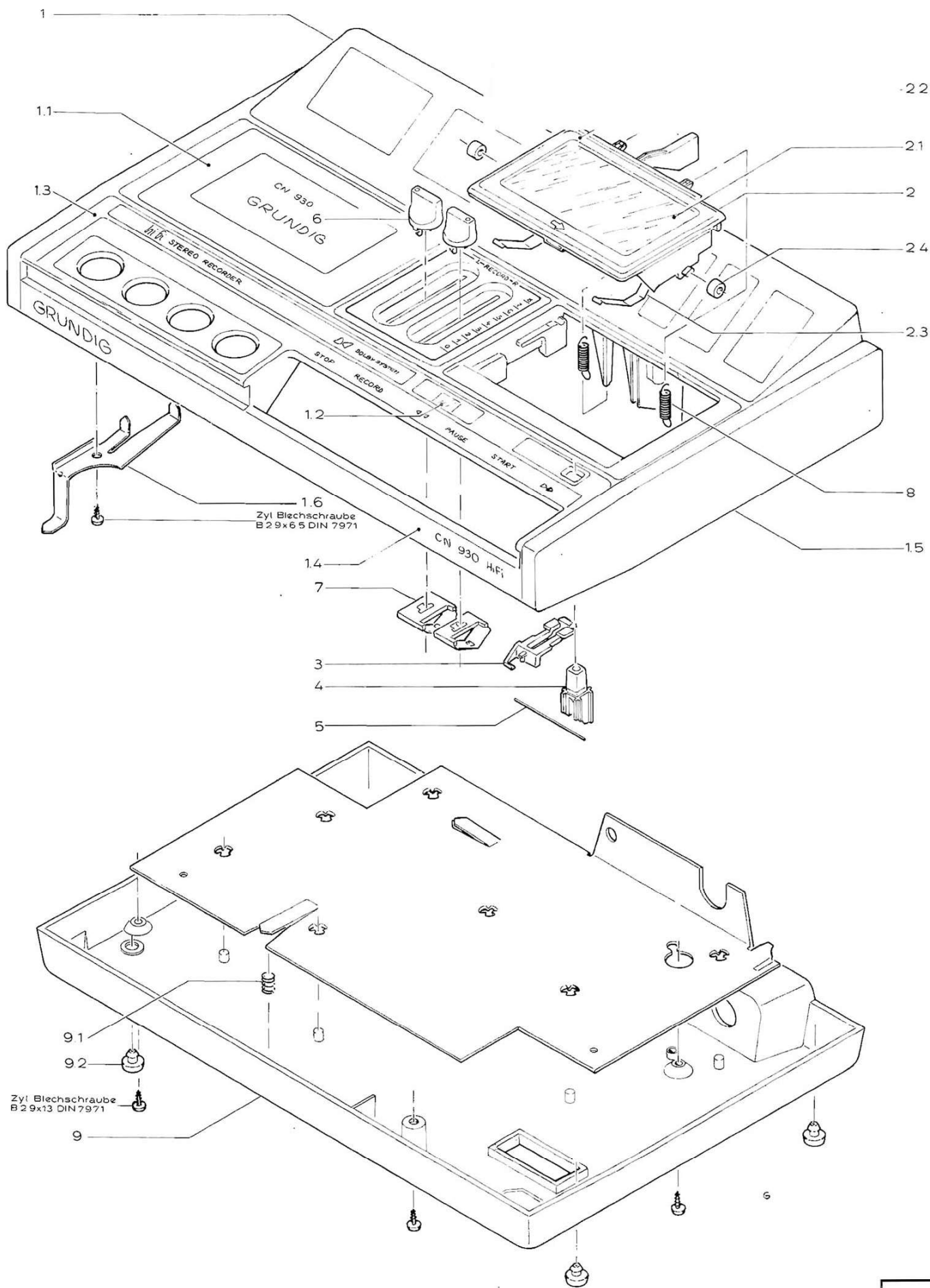
Pos. No.	Fig. No.	Bestell-Nr./Part No. Réf./Nr. d'ordinazioni	Benennung	Description	Désignation	Denominazione
22	2	09647-021.97	Ferritperle	ferrite bead	Perle ferrite	perlina in ferrite
23	2	39730-024.00	MOTORBAUSTEIN	motor unit compl.	Bloc moteur	modulo motore
23.1	2	39600-703.00	Buchsenleiste (3-pol.)	socket bar (3-pole)	Connecteur (3 br.)	presa
24	2	32011-045.00	3x Dämpfung	cushion	Amortisseur	ammortizzatore
25		32023-025.01	6x Taste kpl. (metallic)	push button compl.(met.)	Touche cpl (métal.)	tasto compl.(metal.)
25	3	32023-025.02	6x Taste kpl. (schwarz)	push button compl.(black)	Touche cpl.(noir)	tasto compl.(nero)
26	3	32011-034.00	3x Zugfeder (23 Wdg.)	ext.spring (23 turns)	Ressort (23 sp.)	molla di trazione
27	3	32011-035.00	5x Zugfeder (13 Wdg.)	ext.spring (13 turns)	Ressort (13 sp.)	molla di trazione
28	2	07288-013.00	ZÄHLWERK	pos. indicator	Compteur	contagiri
29	3	32011-055.00	Startschieber	start sliding lever	Glissière start	leva a slitta start
30	3	32011-056.00	Fortschaltstein	cons.switch stone	Glissière	fermagancio
31	3	32011-058.00	Pauseschwinge kpl.	temp.stop rocker arm	Coulisse cpl.	leva osc.tasto pause
32	3	32011-060.00	Zugfeder (21 Wdg.)	ext.spring (21 turns)	Ressort (21 sp.)	molla di trazione
33	3	32023-036.00	Pauseschieber kpl.	temp.stop sliding lever	Glissière pause cpl.	leva a slitta Pause
34	2	32023-039.00	3x Kontaktfeder	contact spring	Contact	molla di contatto
35	2	32023-040.00	3x Kontaktfeder	contact spring	Contact	molla di contatto
36	3	32011-070.00	Riegel (Aufnahme)	lock (recording)	Verrou (enr)	barretta di blocc.reg.
37	3	32004-066.00	Zugfeder (70 Wdg.)	ext.spring (70 turns)	Ressort (70 sp.)	molla di trazione
38	2	34001-050.00	Rücklaufzwischenrad	re-wind idler wheel	Galet	puleggia interm.riavv.
39	2	07881-774.00	VIERKANTRIEMEN	drive belt square	Courroie	cinghia quadrata
40	3	32023-042.00	Umspulhebel	re-wind lever	Levier	leva di riavvolgimen.
41	3	32023-043.00	Umspullasche	re-wind shim	Languette	piastrina di riavvol.
42	3	32023-044.00	Zugfeder (32 Wdg.)	ext.spring (32 turns)	Ressort (32 sp.)	molla di trazione
43	3	32026-061.00	Federdraht	spring wire	Tige ressort	molla a filo
44	3	32026-062.00	Zugfeder (40,5 Wdg.)	ext.spring (40,5 turns)	Ressort (40,5 sp.)	molla di trazione
45	3	32011-077.00	Zwischenradhebel kpl.	idler wheel lever compl.	Levier galet int. cpl.	leva puleggia interme.
46	3	32004-066.00	Zugfeder (70 Wdg.)	ext.spring (70 turns)	Ressort (70 sp.)	molla di trazione
47	3	32004-068.00	Gelenkhebel kpl.	re-wind arm compl.	Levier cpl.	leva articolata
48	3	32004-070.00	Zugfeder (60 1/2 Wdg.)	ext.spring (60 1/2 turns)	Ressort (60 1/2 sp.)	molla di trazione
49	2	32023-052.00	Schwungscheibe kpl.	flywheel compl.	Cabestan cpl.	volano
49.1	2	32023-059.00	Ritzel	pinon	Pignon	pignone
49.2	2	09605-205.00	Scheibe	washer	Rondelle	rondella
50	2	07881-775.00	VIERKANTRIEMEN	drive belt square	Courroie	cinghia quadrata
51	2	32023-062.00	Lagerplatte	bearing plate	Plaquette support pal.	piastrina boccola
52	2	09613-176.00	Kalottenlager	bearing	Palier	boccola a calotta
53	2	05111-056.00	Klemmbrille	clamping ring	Ressort	supporto
54	2	05100-227.00	Schmierring	oiling ring	Bague graissage	anello oliante
54a	2	05100-084.00	Klemmbügel	clamping bracket	Etrier de blocage	supporto
55	2	05100-085.00	Druckstück	plastic alignment bearing	Palier	pressore
56	2	09666-819.00	Kabelschelle	cable cleat	Serre câble	fermacavo
56a	2	09607-091.00	Lötöse	soldering lug	Cosse à souder	capofilo
57	3	32023-047.00	Falle	trap	Trappe	trappola
58	3	32023-048.00	Zugfeder (29 Wdg.)	ext.spring(29 turns)	Ressort (29 sp.)	molla di trazione
59	2	07483-646.00	Kleinfedersatz kpl.	spring set compl.	Contact cpl.	contatto piccolo a mo.
60	2	39722-011.00	Magnet kpl.	magnet compl.	Electro aimant cpl.	magnete compl.
61	3	32023-067.00	Aufnahmeschieber	recording slider	Glissière enr.	cursore di registrazi.
62	3	32023-068.00	Zugfeder (36 Wdg.)	ext.spring (36 turns)	Ressort (36 sp.)	molla di trazione
63	2	32004-066.00	Zugfeder (70 Wdg.)	ext.spring (70 turns)	Ressort (70 sp.)	molla di trazione
64	3	32004-204.00	Zwischenrad	idler wheel	Galet	ruota intermedia
65	3	32004-088.00	Antriebsrad kpl.	drive wheel compl.	Galet cpl.	puleggia di trazione
66	3	32004-092.00	Abstandsscheibe	spacing washer	Rondelle	rondella distanziatri.
67	2	32004-106.00	Wickelteller (Rücklauf)	re-wind clutch	Plateau (rebobinage)	piatto di avvolgimen. (riavvolgimento)
68	2	32023-072.00	Vorlaufkupplung kpl.	drive clutch compl.	Embrayage avance cpl.	frizione di avvolgim.
68.1	2	05100-095.00	Reibbelag	friction washer	Feutre	gomma per frizione
68.2	2	32004-109.00	Reibscheibe	friction washer		piattello sup.frizio.
68.3	2	09604-689.00	Scheibe	washer (plastic)	Rondelle	rondella
68.4	2	32004-110.00	Druckfeder (8 Wdg.)	compr.spring (8 turns)	Rondelle	molla di pressione
68.5	2	32004-111.00	Mitnehmer	carrier	Ressort (8 sp.) Doigt	trascinatore

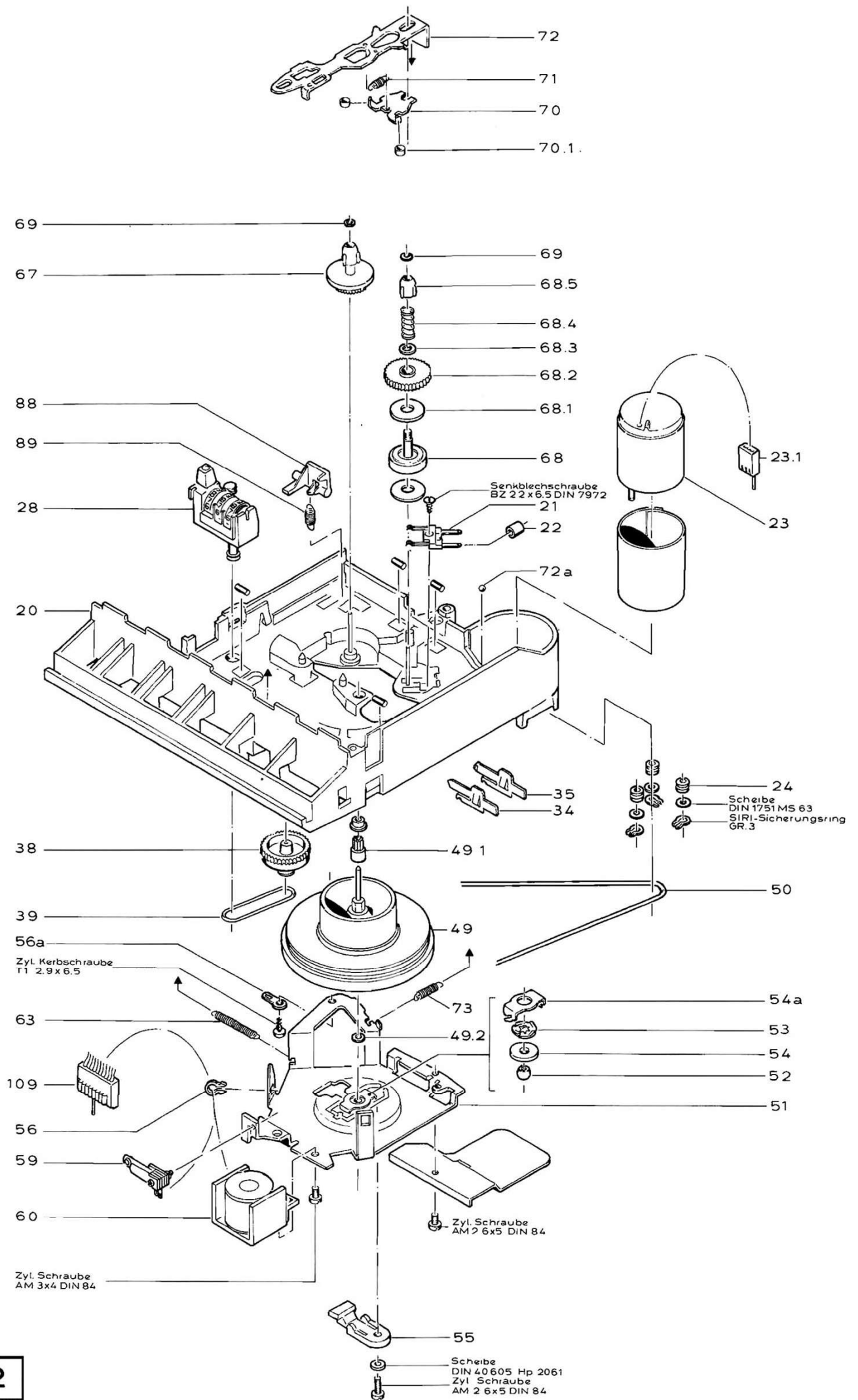
Pos. No.	Fig. No.	Bestell-Nr./Part No. Réf./Nr. d'ordinazioni	Benennung	Description	Désignation	Denominazione
69	2	09605-171.00	2x Scheibe	washer	Rondelle	rondella
70	2	05100-117.00	Bremshebel kpl.	brake lever compl.	Levier frein cpl.	leva del freno
70.1	2	05100-119.00	2x Bremsbelag	felt pad	Caoutchouc	gomma del freno
71	2	05100-120.00	Zugfeder (17 1/2 Wdg.)	ext.spring (17 1/2 tur.)	Ressort (17 1/2 sp.)	molla di trazione
72	2	32011-098.00	Bremslüftschieber	brake lift slider	Glissière	leva a slitta del fr
72a	2	8126-025-049	Stahlkugel 3 Ø	steel ball 3 Ø	Bille acier Ø 3	sfera di acciaio
73	2	32004-095.00	Zugfeder (42 1/4 Wdg.)	ext.spring (42 1/4 turns)	Ressort (42 1/4 sp.)	molla di trazione
73a	3	32023-080.00	Pause-Bremse	temp.stop brake	Frein	freno Pause
73b	3	32023-079.00	Zugfeder (18 Wdg.)	ext.spring (18 turns)	Ressort (18 sp.)	molla di trazione
74	5	32023-082.00	Schlitten	slide	Chariot	slitta
75	5	32023-083.00	2x Zugfeder (20 Wdg.)	ext.spring (20 turns)	Ressort (20 sp.)	molla di trazione
76	5	32004-118.00	Grundbremsfeder	brake spring	Ressort	molla del freno
77	5	32013-119.00	Kopfhalterwinkel kpl.	head fulcrum compl.	Equerre support cpl.	supporto ang.testine
77.1	5	32004-130.00	Lagerspitze	pivot point	Pointe palier	boccola appuntita
78	5	32002-095.00	Druckfeder (Höhe) (4 Wdg.)	compr.spring (height) (4 turns)	Ressort (hauteur 4 sp.)	molla di pressione
78a	5	32002-093.00	Kopfeinstell-Lasche	head adjustment shin	Languette réglage	calibro reg.testina
79	5	32002-094.00	Druckfeder (Taufmel) (6,5 Wdg.)	compr.spring (swivel) (6,5 turns)	Ressort (azimutage 65 sp.)	molla di pressione
79a	5	33006-078.00	Kopf-Einstellschraube	head adjustment screw	Vis réglage	vite di rego.testina
80	5	32002-099.00	Kopf-Einstellschraube	head adjustment screw	Vis réglage	vite di rego.testina
80a	5	39511-801.03	Magnetkopf S2 AW 3,8	record playback head	Tête ENR.LEC S2 3,8	testina magnetica
81	5	39501-002.00	Magnetkopf S1 L 3,8	erase head compl.	Tête EFF. S1 3,8	testina magnetica
82	5	32023-087.00	Kopfreiniger kpl.	head cleaner compl.	Dispo. nettoyage têtes	pulitore testina
83	5	32023-092.00	Rückstellhebel	re-set lever	Levier	leva di arretramento
84	5	32023-093.00	Ring	ring	Anneau	anello
85	5	32004-119.00	Spannring	tension ring	Anneau	anello di tensione
86	5	32023-098.00	Andruckrollenhebel kpl.	pressure roller lever	Levier galet presseur cpl.	leva rullo trainanas
86.1	5	32023-101.00	Andruckrolle kpl.	pressure roller compl.	Galet presseur cpl.	rullo trainanastro
86a	5	32011-130.00	Drahtbügel	form wire	Etrier	tirante
87	5	32004-140.00	Zugfeder(28 1/4 Wdg.)	ext.spring (28 1/4 tur.)	Ressort (28 1/4 sp.)	molla di trazione
88	2	32011-134.00	Aufnahmesperre	recording lock	Bride	bloccaggio di regist
89	2	32011-135.00	Zugfeder (14 Wdg.)	ext.spring (14 turns)	Ressort (14 sp.)	molla di trazione
90	5	32023-108.00	Lichtleiter kpl.	reflector compl.	Réfl ecteur cpl.	convogliatore luce
91	4	32023-148.00	Rahmen	frame	Cadre	cornice
91a	4	32023-188.00	Kontaktfeder	contact spring	Contact	molla di contatto
92	4	32023-153.00	Schieber	slider	Glissière	slitta
93	4	32023-154.00	3x Schaltergabel	switch fork	Fourchette commutation	forchetta di commuta
94	4	8126-025-084	4x Stahlkugel 5 Ø	steel ball 5 Ø	Bille acier Ø 5	sfera di commutazion
95	4	32023-159.00	2x Druckfeder (10,5 Wdg.)	compr.spring (10 1/2 tur.)	Ressort (10,5 sp.)	molla di pressione
96	4	32023-161.00	Schaltknebel N	triplever	Levier commutation	manop.levetta commut.
97	4	32023-162.00	Schaltknebel BW	triplever	Levier commutation	manop.levetta commut.
98	4	32023-163.00	2x Schaltknebel A u.D	triplever	Levier commutation	manop.levetta commut.
99	4	32023-166.00	4x Drehknebel	toggle knob	Levier commutation	levetta di rotazione
100	4	09619-625.00	4x Ringfeder	coil spring	Levier	levetta di rotazione
101	4	09623-069.00	Einbaustecker mit Spannungsumschaltung kpl.	built-in plug compl. w. voltage selector	Ressort Fiche avec Commutation de tension	molla ad anello spina con cambiaten- sioni compl.
102	4	09046-501.01	Netztrafo	mains transformer	Transfo. ali.	trasformatore rete
103	4	32023-172.00	Instrumentenhalter	holder f. instrument	Support indicateur	supporto per strumen
104	4	39705-019.00	2x Anzeigeinstrument	indicator instrument	Indicateur	strumento indicatore
105	4	39705-344.00	2x Lampenfassung kpl.	lamp socket	Support cpl.	portalampada
106	4	32004-119.00	Spannring	tension ring	Anneau	anello di tensione
107	4	39600-705.00	Buchsenleiste 5-pol.	socket bar 5-pole	Connecteur 5 br.	listello prese
108	5	39600-707.00	Buchsenleiste 7-pol.	socket bar 7-pole	Connecteur 7 br.	listello prese
109	2	39600-709.00	Buchsenleiste 9-pol.	socket bar 9-pole	Connecteur 9 br.	listello prese
110	4	39600-704.00	Buchsenleiste 4-pol.	socket bar 4-pole	Connecteur 4 br.	listello prese
111		39600-701.00	24x Crimp-Kontaktfeder Nr.164215-2	contact spring No.164215-2	Contact	contatto crimp

Pos. No.	Fig. No.	Bestell-Nr./Part No. Réf./Nr. d'ordinazioni	Benennung	Description	Désignation	Denominazione
112		09690-352.97	Netzkabel m. Stecker	mains lead w. plug	Câble secteur cpl.	cavo rete con spina
112		09690-376.97	Netzkabel (f.GB)	mains lead (f.GB)		cavo rete (per GB)
113	5	8316-453-002	5x Zwerglampe 7V/80mA/2307 (2x f. Nr.105)	pilot bulb 7V/80mA/2307 (2x f. No.105)	Lampe	lampada a pisello
			<u>Verstärker-Baustein</u> (39300-738.00)	<u>amplifier printed circuit</u> (39300-738.00)	<u>Circuit imprimé</u> <u>amplificateur</u>	<u>Modulo amplificatore</u>
120	6	72003-749.00	VERSTÄRKER-BAUSTEIN KPL.	amplifier print. circuit	Circuit imp. ampli.cpl	Modulo amplificatore
121	6	09626-834.01	Mehrfachbuchse 5-pol.	multiple socket 5-pole	Embase 5 br.	presa multipla
122	6	39706-089.00	Schiebeschalter (A-W Schalt. I)	slider switch (record playback)	Translateur (ENR.LEC com. I)	commutatore a slitta
123	6	39706-090.00	Schiebeschalter (A-W Schalt. II)	slider switch (record playback)	Translateur (ENR.LEC. com. II)	commutatore a slitta
124	6	39706-091.00	Schiebeschalter (A-W Schalt. III)	slider switch (record playback)	Translateur (ENR.LEC. com. III)	commutatore a slitta
125	6	39706-092.00	Schiebeschalter (Start)	slider switch (start)	Translateur (Start)	commutatore a slitta
126	6	39706-093.00	Schiebeschalter (Bandwahl)	slider switch (tape)	Translateur (sélecteur de bande)	commutatore a slitta
127	6	39706-094.00	Schiebeschalter (Dolby)	slider switch (dolby)	Translateur (Dolby)	commutatore a slitta
128	6	39706-095.00	Schiebeschalter (Automatic)	slider switch (automatic)	Translateur (Automatisme)	commutatore a slitta
129	6	32023-125.00	2x Stange	rod	Tige	stanghetta
130	6	32023-126.00	Verbinder	link	Raccord	collegatore
131	6	32023-127.00	2x Schalthebel	switch lever	Levier	leva di commutazione
132		8302-200-230	Transistor BC 330 C	(T101/201)transistor	Transistors	transistor
133		8302-202-248	Transistor GC 438 B/C	(T104/204)transistor	"	transistor
133a		8302-200-186	Transistor BC 239 B/C	(T102/202)transistor	"	transistor
134		8302-202-241	Transistor GC 438 C	(T103/203/502)trans.	"	transistor
134a		8302-200-548	Transistor BC 548 C	(T106/206)transistor	"	transistor
135		8302-202-297	Transistor BC 307 A/B	(T105/205)transistor	"	transistor
136		8302-410-008	Transistor GD 183	(T401)transistor	"	transistor
137		8302-202-244	Transistor BC 438 B	(T402/504)transistor	"	transistor
137a		8302-202-241	Transistor GC 238 A/B	(T107/207)transistor	"	transistor
137b		8302-202-229	Transistor GC 237 A/B	(T108)transistor	"	transistor
138		8302-210-018	Transistor BD 135-16	(T501)transistor	"	transistor
139		8302-200-169	Transistor BC 338-25	(T503)transistor	"	transistor
140		8302-200-175	Transistor BC 328/25	(T701)transistor	"	transistor
141		8302-400-008	Transistor GC 196	(T702)transistor	"	transistor
142		8309-210-008	Diode S 136 Z	(D401)diode S 136 Z	Diode	diodo
143		8309-214-032	Diode TD 473	(D402/502/503/101) diode	"	diodo
144		8309-705-032	Diode NT 55/C39	(D501)diode NT55/C39	"	diodo
145	6	8410-820-020	Elko 1000µF/16V	(C806) elco 1000µF/16V	Cond. chimique	condensatore elettrol.
146	6	8773-197-035	Einstellregler 500Ω	(R720)min.pre-set pot.	Pot. ajustable	trimmer ohmico
147	6	8790-009-010	Einstellregler 1KΩ	(R410)min.pre-set pot.	"	trimmer ohmico
148	6	8773-197-035	Einstellregler 1KΩ	(R710)min.pre-set pot.	"	trimmer ohmico
149	6	8790-009-017	Einstellregler 5KΩ	min.pre-set pot. (R130/230/149/249/160/ 260)	"	trimmer ohmico
150	6	8790-009-020	Einstellregler 15KΩ	min.pre-set pot. (R150/250/180/280/170/ 270/175/275)	"	trimmer ohmico
151	6	8790-009-023	Einstellregler 50KΩ	(R170/210)min.pre-set pot.	"	trimmer ohmico
152	6	8790-009-065	Einstellregler 150KΩ	(R190/290)min.pre-set pot.	"	trimmer ohmico
153	6	39703-005.00	Tandem-Potentiometer 47KΩ	(R100/200)potentiometer	Potentiomètre	potenziometro doppio

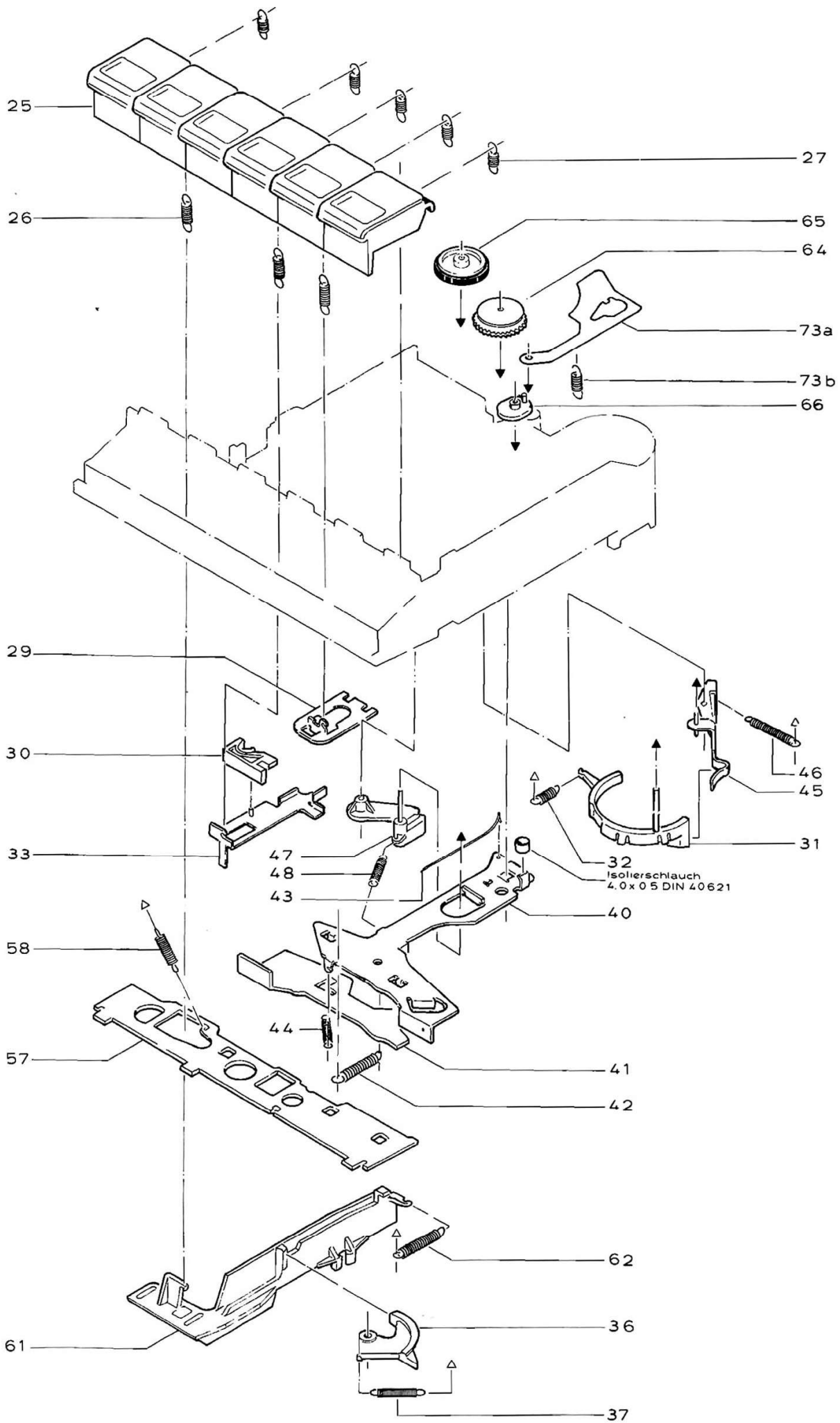
Pos. No.	Fig. No.	Bestell-Nr./Part No. Réf./Nr. d'ordinazioni	Benennung	Description	Désignation	Denominazione
			<u>Mikrofon-Buchsen-Baustein</u>	<u>microphone-socket module</u>	<u>Plaqueette prises micro</u>	<u>Modulo presa microfo.</u>
160	6	39300-752.00	MIKROPHON-BUCHSEN-BAUSTEIN KPL.	microphone socket module	Plaqueette prises micro cpl.	modulo presa microfono compl.
161		32023-140.00	3x Diodenhalter	diode socket	Entretoise	supporto diodi
162		09626-836.00	Mehrfachbuchse 8-pol.	multiple socket	Embase mult. 8 br.	presa multipla
163		39706-096.00	Schiebeschalter-Mikron	slider switch	Translateur micro	slitta di comm.microf.
164		31018-200.00	Schieber	slider	Glissière	slitta
165		31018-201.00	Zugfeder (17 Wdg.)	ext.spring (17 turns)	Ressort (17 sp.)	molla di trazione
166		19799-140.97	LE-Diodensätze CQY 72 L CQY 40 L	LE-diode CQY 72 L CQY 40 L (LED 301/302/303)	Diodes électro. Luminescentes	diodi LE
			<u>Netzteilplatte</u>	<u>mains plate</u>	<u>Circuit imp. aliment.</u>	<u>Piastra alimentazione</u>
170	6	39300-757.00	NETZTEIL-PLATTE KPL.	mains plate compl.	Circuit imp. aliment.cpl	piastra compl.
171		09623-070.00	Netzschalter	mains switch	Commutateur	interruttore rete
172		09621-113.02	6x Sicherungshalter	fuse holder contact	Support fusible	portafusibile
173		8308-524-004	Gleichrichter 840/C600	(61.801)rectifier	Redresseur	raddrizzatore
174		8308-111-200	Gleichrichter 820/C850	(61.802)rectifier	Redresseur	raddrizzatore
175		8302-210-016	Transistor BD 137-16	(T801)transistor	Transistor	transistor
176		8309-705-528	Diode NT 55/C30	(D801)diode NT55 C30	Diode	diodo
			<u>Dolby NR -Baustein</u>	<u>dolby-NR -module</u>	<u>Circuit imp.Dolby NR</u>	<u>Modulo Dolby NR</u>
180	6	39300-723.00	2x DOLBY-NR-BAUSTEIN	dolby No.module	Circuit imp.Dolby NR	modulo Dolby NR
181		19202-357.10	Entzerrerspule	(L901)equalizier coil	Bobine	bobina equalizzatore
182		39600-304.00	Buchsenleiste kpl. 4-pol.	socket bar 4-pole	Connecteur cpl. 4 br.	presa a listello
183		39600-305.00	Buchsenleiste kpl. 5-pol.	socket bar 5-pole	Connecteur cpl. 5 br.	presa a listello
184		8302-200-231	Transistor BC 238 C	transistor BC 238 C (Tr.901/902/904/906/908)	Transistor	transistor
185		8302-202-185	Transistor BC 238 B/C	(T 903/907)transistor	Transistor	transistor
186		8302-400-109	Transistor GF 268	(T905)transistor	Transistor	transistor
187		8309-001-039	Diode AA 139	(D901/905)diode	Diode	diodo
188		8309-214-032	Diode TD 473	(D906)diode TD 473	Diode	diodo
189		8309-650-002	Zener-Diode 6,8V	(D902)zener-diode 6,8V	Diode zener	diodo zener
190		8309-520-002	Diode BZ 102/2 V1	(D 903/904)diode	Diode	diodo
191		8790-209-005	Einstellregler 10KQ	(R924)min.pre-set pot.	Pot. ajustable	trimmer ohmico
			<u>Automatic-Baustein</u>	<u>automatic-module</u>	<u>Circuit imp.automatisme</u>	<u>Modulo dell'automatico</u>
200	6	39300-743.00	AUTOMATIC-BAUSTEIN KPL.	automatic module compl.	Circuit imp.aut. cpl.	modulo compl.
201		39600-407.00	Buchsenleiste kpl. 7-pol.	socket bar 7-pole	Connecteur cpl. 7 br.	presa a listello
202		39600-408.00	Buchsenleiste kpl. 8-pol.	socket bar 8-pole	Connecteur cpl 8 br.	presa a listello
203		8302-400-109	Transistor GF 268	(T601)transistor GF 268	Transistor	transistor
204		8302-202-244	Transistor GC 438 B	(T602)transistor GC 438	Transistor	transistor
205		8302-200-139	Transistor BC 308 A/B	(T603/604)transistor	Transistor	transistor
206		8302-202-236	Transistor GC 437/B/C	(T605/606)transistor	Transistor	transistor
207		8302-200-548	Transistor BC 548 C	(T607/608/609/610) transistor	Transistor	transistor
209		8309-207-003	Diode D 249	(D601...608)diode	Diode	diodo
210		8309-214-009	Diode TD 300	(D609/614)diode	Diode	diodo
211		8309-214-032	Diode TD 473	(D610/611/615/616) diode	Diode	diodo
212		8309-520-001	Diode BZ 102/1V4	(D612)diode BZ102	Diode	diodo
213		8706-609-001	Hochohmwidstand 110/390MΩ	(R607/608)high-valued resistor	Résistance	resistenza speciale

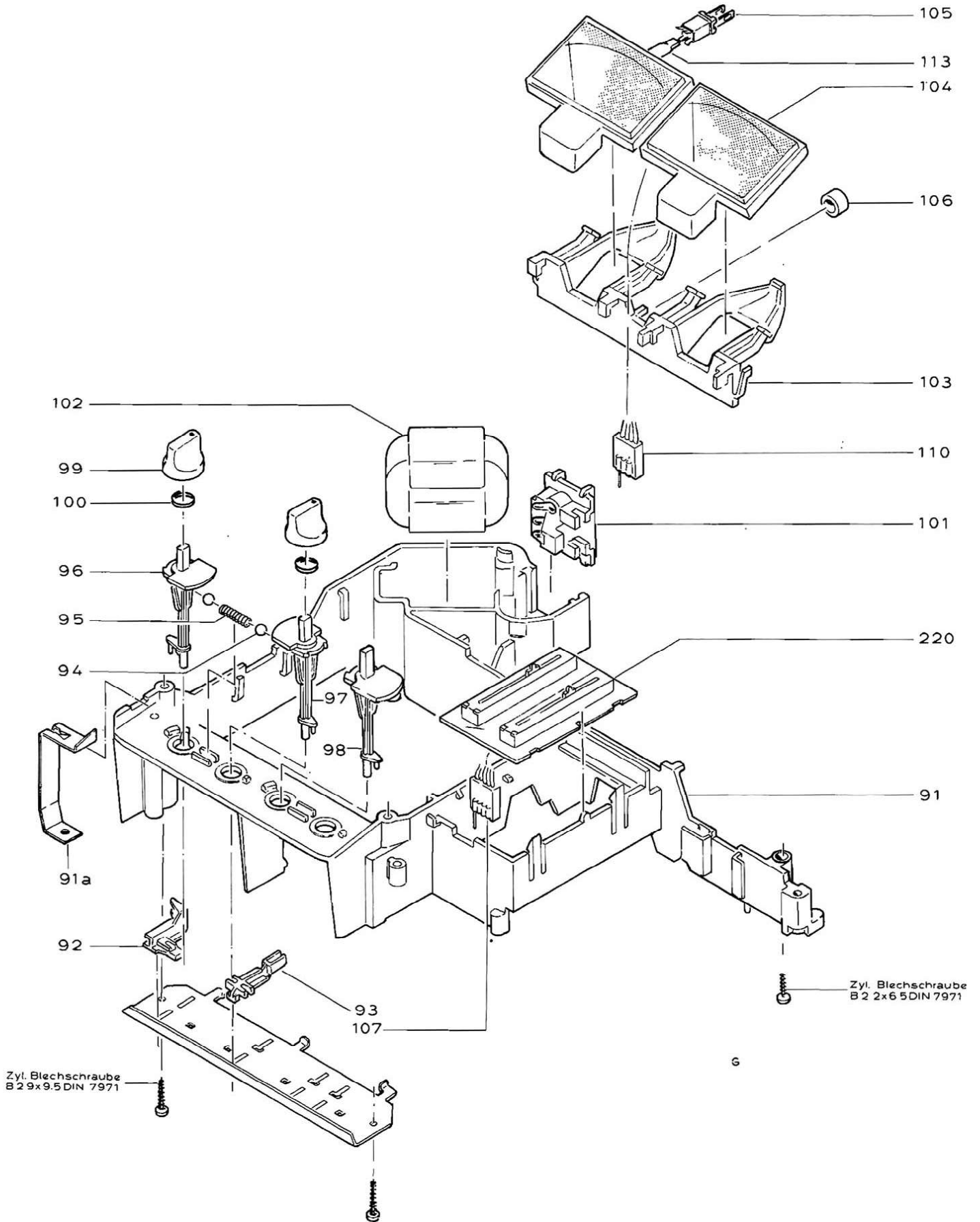
Pos. No.	Fig. No.	Bestell-Nr./Part No. Réf./Nr. d'ordinazioni	Benennung	Description	Désignation	Denominazione
214		8790-009-018	Einstellregler 10K $\Omega$	(R610)min.pre-set pot.	Pot. ajustable	trimmer ohmico
			<u>Regler-Baustein</u>	<u>control unit</u>	<u>Circuit imp.potent.</u>	<u>Modulo di regolazione</u>
220	4/6	39300-748.00	REGLER-BAUSTEIN	control unit	Circuit imp.Pot.	modulo di regolazione
221	6	39704-059.00	2x Schiebewiderstand 50K $\Omega$	(R120/220) slider potentiometer	Pot. à curseur	potenziometro a cursore

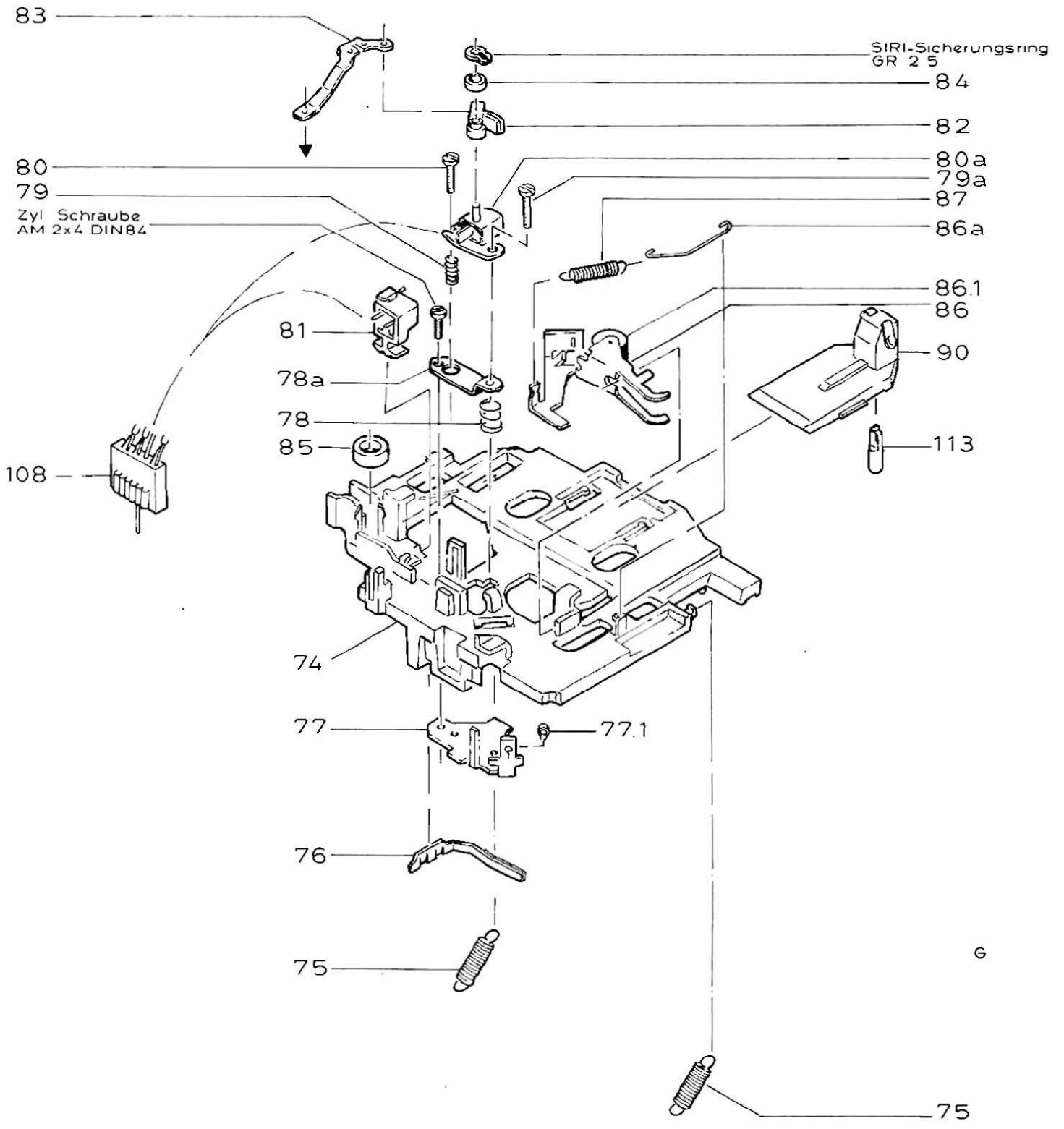




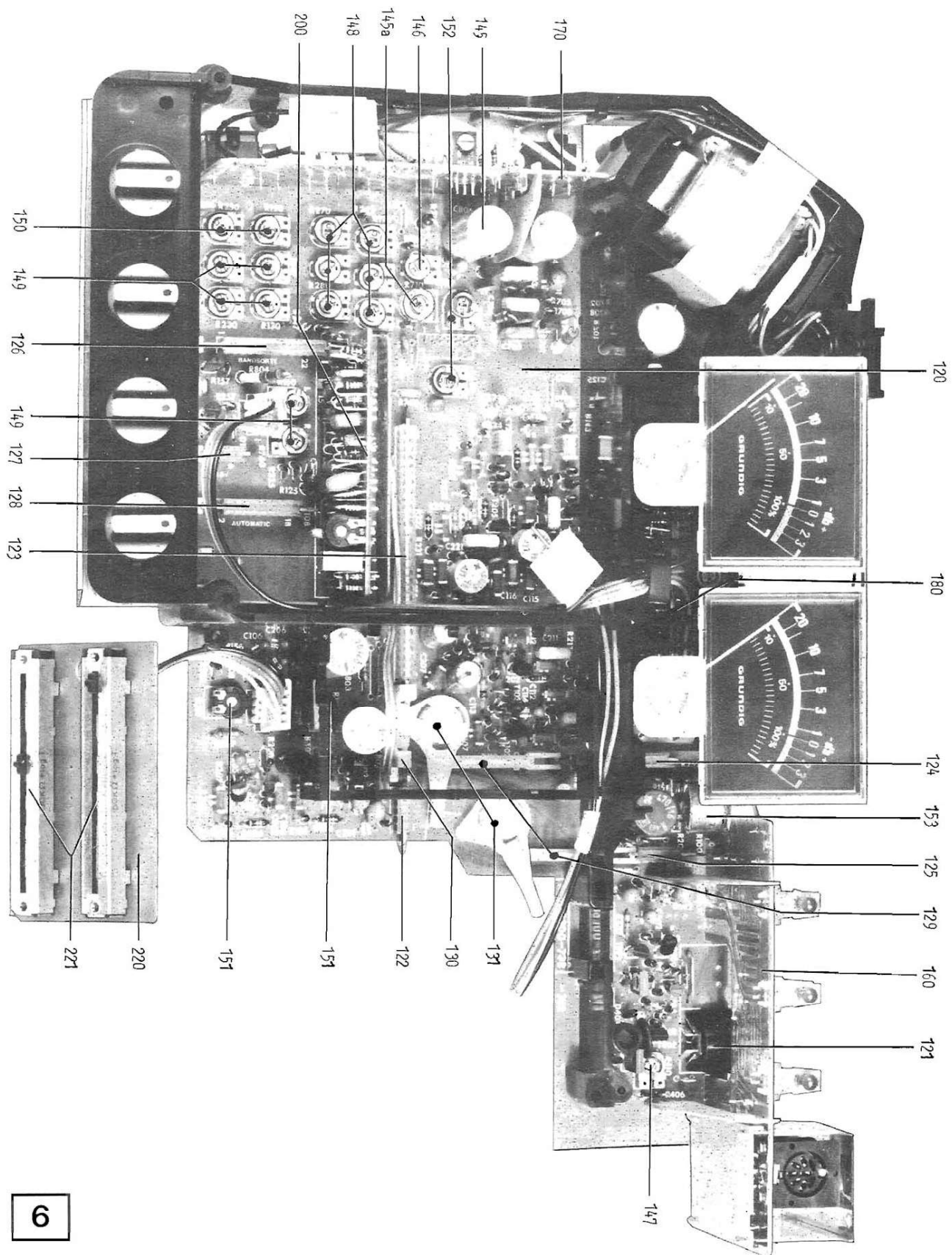








6



6

Die bei den Abbildungen verwendeten Nummern sind identisch mit den Positionsnummern  
 THE INDICATED NUMBERS ARE ITEM-NUMBERS OF THE SPARE PARTS LIST  
 LES NUMEROS DE POSITION SONT IDENTIQUES A CEUX UTILISES SUR LES FIGURES  
 I NUMERI INDICATI NELLE FOTO CORRISPONDONO ALLA IDENTICA POSIZIONE DELLA LISTA

Anderungen vorbehalten · Alterations reserved · Tous droits de modifications réservés · Con riserva di modifiche