

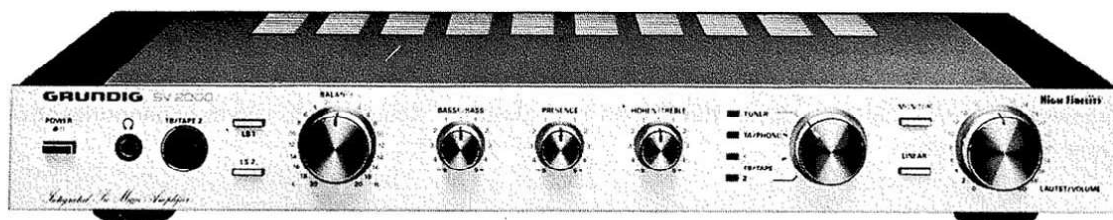
GRUNDIG

Service Anleitung



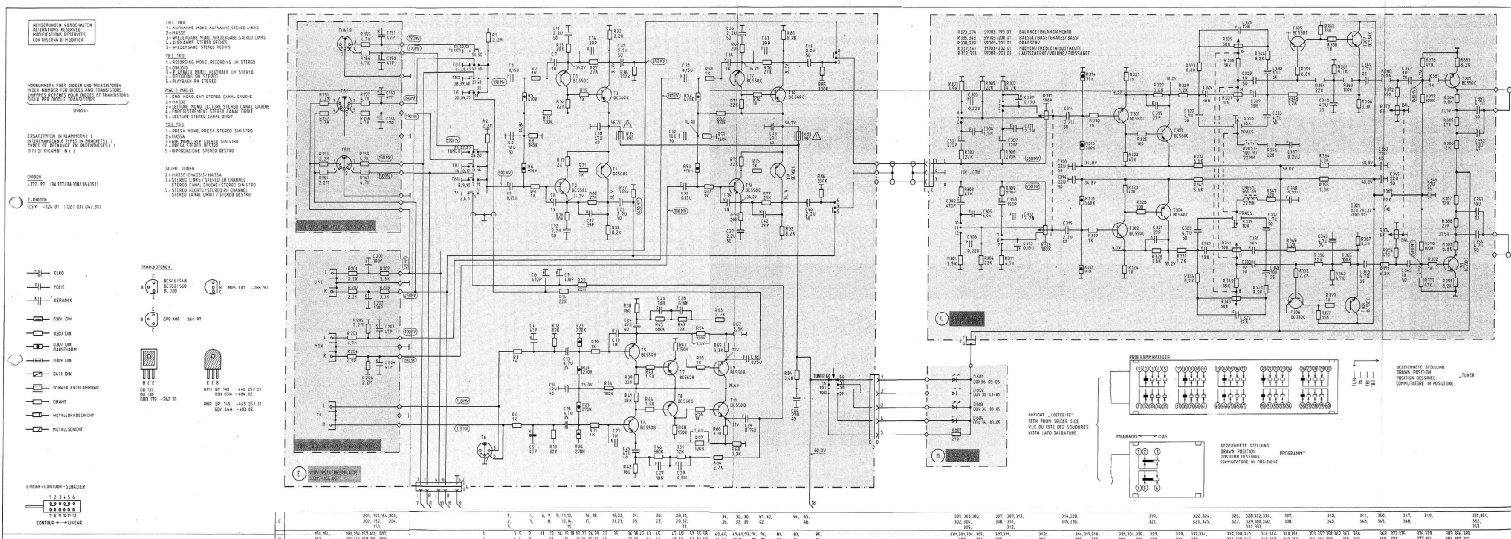
4/80

Verstärker
SV 2000
SV 2000 GB
SV 2000 U



Abgleich- und Prüfvorschrift

1. Allgemeine Hinweise
2. Ausbauhinweise
3. Arbeitspunkteinstellung des NF-Verstärkers
4. Prüfung des NF-Verstärkers
 - 4.1 Ausgangsleistung an 4Ω
 - 4.2 Leistungsbandbreite (-3 dB)
 - 4.3 Eingangsempfindlichkeit für $2 \times 50 \text{ W}$ ($\cong 14,14 \text{ V}_{\text{eff}}$)
 - 4.4 Maximale Eingangsspannung
 - 4.5 Frequenzgang linear
 - 4.6 Eingangswiderstand
 - 4.7 Entzerrung TA-Magnet
 - 4.8 Regelbereich der Klangregler
 - 4.9 Regelbereich des Balance-Reglers
 - 4.10 Physiologie (Contour)
 - 4.11 Fremdspannungsabstand
 - 4.12 Übersprechen
 - 4.13 Kurzschlußautomatik



REVISIONS:

1. ORIGINAL DESIGN

2. REVISIONS: 1. 10/15/50

3. REVISIONS: 2. 10/15/50

4. REVISIONS: 3. 10/15/50

5. REVISIONS: 4. 10/15/50

6. REVISIONS: 5. 10/15/50

7. REVISIONS: 6. 10/15/50

8. REVISIONS: 7. 10/15/50

9. REVISIONS: 8. 10/15/50

10. REVISIONS: 9. 10/15/50

11. REVISIONS: 10. 10/15/50

12. REVISIONS: 11. 10/15/50

13. REVISIONS: 12. 10/15/50

14. REVISIONS: 13. 10/15/50

15. REVISIONS: 14. 10/15/50

16. REVISIONS: 15. 10/15/50

17. REVISIONS: 16. 10/15/50

18. REVISIONS: 17. 10/15/50

19. REVISIONS: 18. 10/15/50

20. REVISIONS: 19. 10/15/50

21. REVISIONS: 20. 10/15/50

22. REVISIONS: 21. 10/15/50

23. REVISIONS: 22. 10/15/50

24. REVISIONS: 23. 10/15/50

25. REVISIONS: 24. 10/15/50

26. REVISIONS: 25. 10/15/50

27. REVISIONS: 26. 10/15/50

28. REVISIONS: 27. 10/15/50

29. REVISIONS: 28. 10/15/50

30. REVISIONS: 29. 10/15/50

31. REVISIONS: 30. 10/15/50

32. REVISIONS: 31. 10/15/50

33. REVISIONS: 32. 10/15/50

34. REVISIONS: 33. 10/15/50

35. REVISIONS: 34. 10/15/50

36. REVISIONS: 35. 10/15/50

37. REVISIONS: 36. 10/15/50

38. REVISIONS: 37. 10/15/50

39. REVISIONS: 38. 10/15/50

40. REVISIONS: 39. 10/15/50

41. REVISIONS: 40. 10/15/50

42. REVISIONS: 41. 10/15/50

43. REVISIONS: 42. 10/15/50

44. REVISIONS: 43. 10/15/50

45. REVISIONS: 44. 10/15/50

46. REVISIONS: 45. 10/15/50

47. REVISIONS: 46. 10/15/50

48. REVISIONS: 47. 10/15/50

49. REVISIONS: 48. 10/15/50

50. REVISIONS: 49. 10/15/50

51. REVISIONS: 50. 10/15/50

52. REVISIONS: 51. 10/15/50

53. REVISIONS: 52. 10/15/50

54. REVISIONS: 53. 10/15/50

55. REVISIONS: 54. 10/15/50

56. REVISIONS: 55. 10/15/50

57. REVISIONS: 56. 10/15/50

58. REVISIONS: 57. 10/15/50

59. REVISIONS: 58. 10/15/50

60. REVISIONS: 59. 10/15/50

61. REVISIONS: 60. 10/15/50

62. REVISIONS: 61. 10/15/50

63. REVISIONS: 62. 10/15/50

64. REVISIONS: 63. 10/15/50

65. REVISIONS: 64. 10/15/50

66. REVISIONS: 65. 10/15/50

67. REVISIONS: 66. 10/15/50

68. REVISIONS: 67. 10/15/50

69. REVISIONS: 68. 10/15/50

70. REVISIONS: 69. 10/15/50

71. REVISIONS: 70. 10/15/50

72. REVISIONS: 71. 10/15/50

73. REVISIONS: 72. 10/15/50

74. REVISIONS: 73. 10/15/50

75. REVISIONS: 74. 10/15/50

76. REVISIONS: 75. 10/15/50

77. REVISIONS: 76. 10/15/50

78. REVISIONS: 77. 10/15/50

79. REVISIONS: 78. 10/15/50

80. REVISIONS: 79. 10/15/50

81. REVISIONS: 80. 10/15/50

82. REVISIONS: 81. 10/15/50

83. REVISIONS: 82. 10/15/50

84. REVISIONS: 83. 10/15/50

85. REVISIONS: 84. 10/15/50

86. REVISIONS: 85. 10/15/50

87. REVISIONS: 86. 10/15/50

88. REVISIONS: 87. 10/15/50

89. REVISIONS: 88. 10/15/50

90. REVISIONS: 89. 10/15/50

91. REVISIONS: 90. 10/15/50

92. REVISIONS: 91. 10/15/50

93. REVISIONS: 92. 10/15/50

94. REVISIONS: 93. 10/15/50

95. REVISIONS: 94. 10/15/50

96. REVISIONS: 95. 10/15/50

97. REVISIONS: 96. 10/15/50

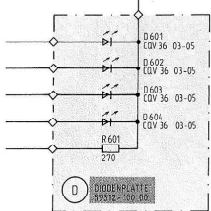
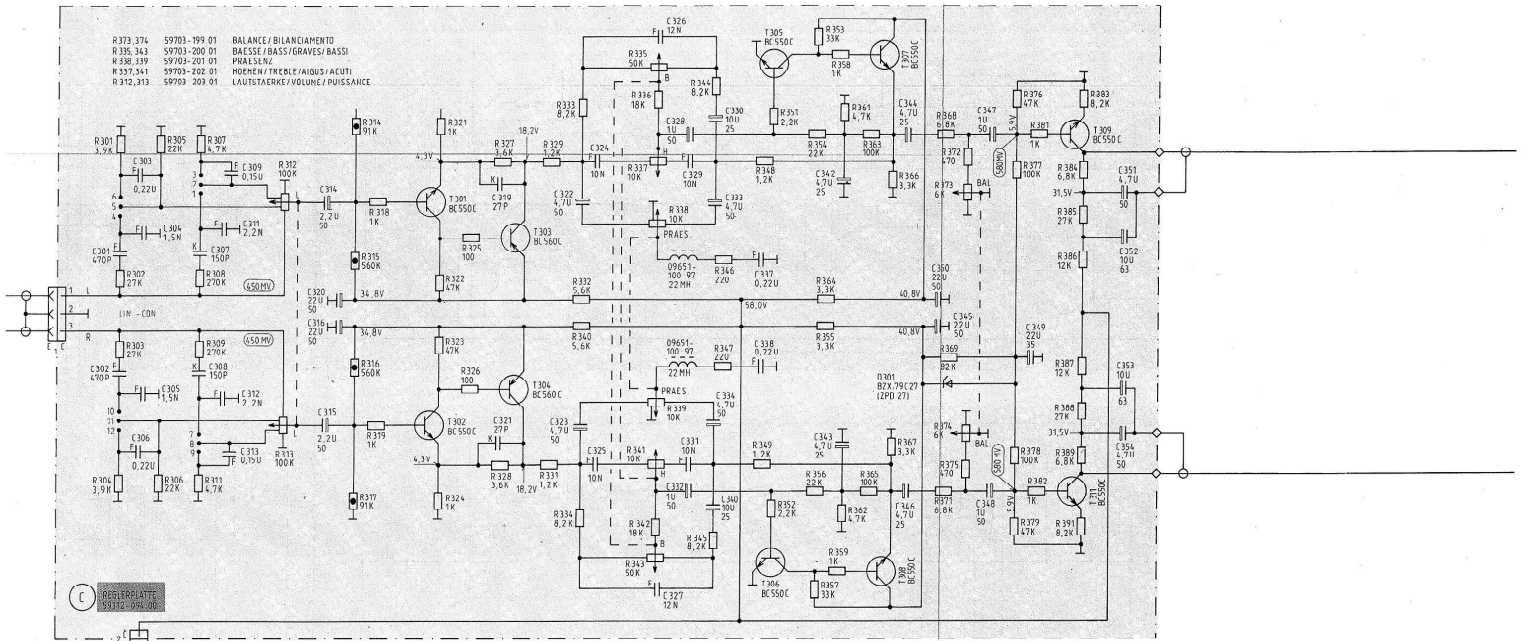
98. REVISIONS: 97. 10/15/50

99. REVISIONS: 98. 10/15/50

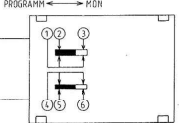
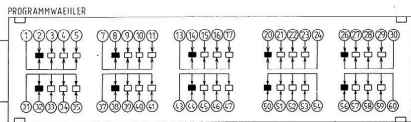
100. REVISIONS: 99. 10/15/50

| NO. | DESCRIPTION | QTY. | VALUE | PART NO. | NO. | DESCRIPTION | QTY. | VALUE | PART NO. |
|-----|-------------|------|-------|----------|-----|-------------|------|-------|----------|
| 1 | 6X4 | 1 | | 901 | 1 | 6AR5 | 1 | | 902 |
| 2 | 6AR5 | 1 | | 902 | 2 | 6AV6 | 1 | | 903 |
| 3 | 6AV6 | 1 | | 903 | 3 | 6BE6 | 1 | | 904 |
| 4 | 6BE6 | 1 | | 904 | 4 | 6BD6 | 1 | | 905 |
| 5 | 6BD6 | 1 | | 905 | 5 | 6BE7 | 1 | | 906 |
| 6 | 6BE7 | 1 | | 906 | 6 | 6X4 | 1 | | 907 |
| 7 | 6X4 | 1 | | 907 | 7 | 6AR5 | 1 | | 908 |
| 8 | 6AR5 | 1 | | 908 | 8 | 6AV6 | 1 | | 909 |
| 9 | 6AV6 | 1 | | 909 | 9 | 6BE6 | 1 | | 910 |
| 10 | 6BE6 | 1 | | 910 | 10 | 6BD6 | 1 | | 911 |
| 11 | 6BD6 | 1 | | 911 | 11 | 6BE7 | 1 | | 912 |
| 12 | 6BE7 | 1 | | 912 | 12 | 6X4 | 1 | | 913 |
| 13 | 6X4 | 1 | | 913 | 13 | 6AR5 | 1 | | 914 |
| 14 | 6AR5 | 1 | | 914 | 14 | 6AV6 | 1 | | 915 |
| 15 | 6AV6 | 1 | | 915 | 15 | 6BE6 | 1 | | 916 |
| 16 | 6BE6 | 1 | | 916 | 16 | 6BD6 | 1 | | 917 |
| 17 | 6BD6 | 1 | | 917 | 17 | 6BE7 | 1 | | 918 |
| 18 | 6BE7 | 1 | | 918 | 18 | 6X4 | 1 | | 919 |
| 19 | 6X4 | 1 | | 919 | 19 | 6AR5 | 1 | | 920 |
| 20 | 6AR5 | 1 | | 920 | 20 | 6AV6 | 1 | | 921 |
| 21 | 6AV6 | 1 | | 921 | 21 | 6BE6 | 1 | | 922 |
| 22 | 6BE6 | 1 | | 922 | 22 | 6BD6 | 1 | | 923 |
| 23 | 6BD6 | 1 | | 923 | 23 | 6BE7 | 1 | | 924 |
| 24 | 6BE7 | 1 | | 924 | 24 | 6X4 | 1 | | 925 |
| 25 | 6X4 | 1 | | 925 | 25 | 6AR5 | 1 | | 926 |
| 26 | 6AR5 | 1 | | 926 | 26 | 6AV6 | 1 | | 927 |
| 27 | 6AV6 | 1 | | 927 | 27 | 6BE6 | 1 | | 928 |
| 28 | 6BE6 | 1 | | 928 | 28 | 6BD6 | 1 | | 929 |
| 29 | 6BD6 | 1 | | 929 | 29 | 6BE7 | 1 | | 930 |
| 30 | 6BE7 | 1 | | 930 | 30 | 6X4 | 1 | | 931 |
| 31 | 6X4 | 1 | | 931 | 31 | 6AR5 | 1 | | 932 |
| 32 | 6AR5 | 1 | | 932 | 32 | 6AV6 | 1 | | 933 |
| 33 | 6AV6 | 1 | | 933 | 33 | 6BE6 | 1 | | 934 |
| 34 | 6BE6 | 1 | | 934 | 34 | 6BD6 | 1 | | 935 |
| 35 | 6BD6 | 1 | | 935 | 35 | 6BE7 | 1 | | 936 |
| 36 | 6BE7 | 1 | | 936 | 36 | 6X4 | 1 | | 937 |
| 37 | 6X4 | 1 | | 937 | 37 | 6AR5 | 1 | | 938 |
| 38 | 6AR5 | 1 | | 938 | 38 | 6AV6 | 1 | | 939 |
| 39 | 6AV6 | 1 | | 939 | 39 | 6BE6 | 1 | | 940 |
| 40 | 6BE6 | 1 | | 940 | 40 | 6BD6 | 1 | | 941 |
| 41 | 6BD6 | 1 | | 941 | 41 | 6BE7 | 1 | | 942 |
| 42 | 6BE7 | 1 | | 942 | 42 | 6X4 | 1 | | 943 |
| 43 | 6X4 | 1 | | 943 | 43 | 6AR5 | 1 | | 944 |
| 44 | 6AR5 | 1 | | 944 | 44 | 6AV6 | 1 | | 945 |
| 45 | 6AV6 | 1 | | 945 | 45 | 6BE6 | 1 | | 946 |
| 46 | 6BE6 | 1 | | 946 | 46 | 6BD6 | 1 | | 947 |
| 47 | 6BD6 | 1 | | 947 | 47 | 6BE7 | 1 | | 948 |
| 48 | 6BE7 | 1 | | 948 | 48 | 6X4 | 1 | | 949 |
| 49 | 6X4 | 1 | | 949 | 49 | 6AR5 | 1 | | 950 |
| 50 | 6AR5 | 1 | | 950 | 50 | 6AV6 | 1 | | 951 |
| 51 | 6AV6 | 1 | | 951 | 51 | 6BE6 | 1 | | 952 |
| 52 | 6BE6 | 1 | | 952 | 52 | 6BD6 | 1 | | 953 |
| 53 | 6BD6 | 1 | | 953 | 53 | 6BE7 | 1 | | 954 |
| 54 | 6BE7 | 1 | | 954 | 54 | 6X4 | 1 | | 955 |
| 55 | 6X4 | 1 | | 955 | 55 | 6AR5 | 1 | | 956 |
| 56 | 6AR5 | 1 | | 956 | 56 | 6AV6 | 1 | | 957 |
| 57 | 6AV6 | 1 | | 957 | 57 | 6BE6 | 1 | | 958 |
| 58 | 6BE6 | 1 | | 958 | 58 | 6BD6 | 1 | | 959 |
| 59 | 6BD6 | 1 | | 959 | 59 | 6BE7 | 1 | | 960 |
| 60 | 6BE7 | 1 | | 960 | 60 | 6X4 | 1 | | 961 |
| 61 | 6X4 | 1 | | 961 | 61 | 6AR5 | 1 | | 962 |
| 62 | 6AR5 | 1 | | 962 | 62 | 6AV6 | 1 | | 963 |
| 63 | 6AV6 | 1 | | 963 | 63 | 6BE6 | 1 | | 964 |
| 64 | 6BE6 | 1 | | 964 | 64 | 6BD6 | 1 | | 965 |
| 65 | 6BD6 | 1 | | 965 | 65 | 6BE7 | 1 | | 966 |
| 66 | 6BE7 | 1 | | 966 | 66 | 6X4 | 1 | | 967 |
| 67 | 6X4 | 1 | | 967 | 67 | 6AR5 | 1 | | 968 |
| 68 | 6AR5 | 1 | | 968 | 68 | 6AV6 | 1 | | 969 |
| 69 | 6AV6 | 1 | | 969 | 69 | 6BE6 | 1 | | 970 |
| 70 | 6BE6 | 1 | | 970 | 70 | 6BD6 | 1 | | 971 |
| 71 | 6BD6 | 1 | | 971 | 71 | 6BE7 | 1 | | 972 |
| 72 | 6BE7 | 1 | | 972 | 72 | 6X4 | 1 | | 973 |
| 73 | 6X4 | 1 | | 973 | 73 | 6AR5 | 1 | | 974 |
| 74 | 6AR5 | 1 | | 974 | 74 | 6AV6 | 1 | | 975 |
| 75 | 6AV6 | 1 | | 975 | 75 | 6BE6 | 1 | | 976 |
| 76 | 6BE6 | 1 | | 976 | 76 | 6BD6 | 1 | | 977 |
| 77 | 6BD6 | 1 | | 977 | 77 | 6BE7 | 1 | | 978 |
| 78 | 6BE7 | 1 | | 978 | 78 | 6X4 | 1 | | 979 |
| 79 | 6X4 | 1 | | 979 | 79 | 6AR5 | 1 | | 980 |
| 80 | 6AR5 | 1 | | 980 | 80 | 6AV6 | 1 | | 981 |
| 81 | 6AV6 | 1 | | 981 | 81 | 6BE6 | 1 | | 982 |
| 82 | 6BE6 | 1 | | 982 | 82 | 6BD6 | 1 | | 983 |
| 83 | 6BD6 | 1 | | 983 | 83 | 6BE7 | 1 | | 984 |
| 84 | 6BE7 | 1 | | 984 | 84 | 6X4 | 1 | | 985 |
| 85 | 6X4 | 1 | | 985 | 85 | 6AR5 | 1 | | 986 |
| 86 | 6AR5 | 1 | | 986 | 86 | 6AV6 | 1 | | 987 |
| 87 | 6AV6 | 1 | | 987 | 87 | 6BE6 | 1 | | 988 |
| 88 | 6BE6 | 1 | | 988 | 88 | 6BD6 | 1 | | 989 |
| 89 | 6BD6 | 1 | | 989 | 89 | 6BE7 | 1 | | 990 |
| 90 | 6BE7 | 1 | | 990 | 90 | 6X4 | 1 | | 991 |
| 91 | 6X4 | 1 | | 991 | 91 | 6AR5 | 1 | | 992 |
| 92 | 6AR5 | 1 | | 992 | 92 | 6AV6 | 1 | | 993 |
| 93 | 6AV6 | 1 | | 993 | 93 | 6BE6 | 1 | | 994 |
| 94 | 6BE6 | 1 | | 994 | 94 | 6BD6 | 1 | | 995 |
| 95 | 6BD6 | 1 | | 995 | 95 | 6BE7 | 1 | | 996 |
| 96 | 6BE7 | 1 | | 996 | 96 | 6X4 | 1 | | 997 |
| 97 | 6X4 | 1 | | 997 | 97 | 6AR5 | 1 | | 998 |
| 98 | 6AR5 | 1 | | 998 | 98 | 6AV6 | 1 | | 999 |
| 99 | 6AV6 | 1 | | 999 | 99 | 6BE6 | 1 | | 1000 |
| 100 | 6BE6 | 1 | | 1000 | | | | | |

R 373, 374 59703-199 01 BALANCE / BILANCIAMENTO
 R 335, 343 59703-200 01 BASSES / BASSI / GRAVES / BASSI
 R 338, 339 59703-201 01 PRESENZ
 R 337, 341 59703-202 01 HORNEN / TREBLE / AIGUES / ACUTI
 R 312, 313 59703-203 01 LAUTSTÄRKE / VOLUME / PUISSANCE



ANSICHT „LOETSEITE“
 SEEN FROM SOLDER SIDE
 VUE DU COTE DES SOLDERES
 VISTA LATO SALDATURE



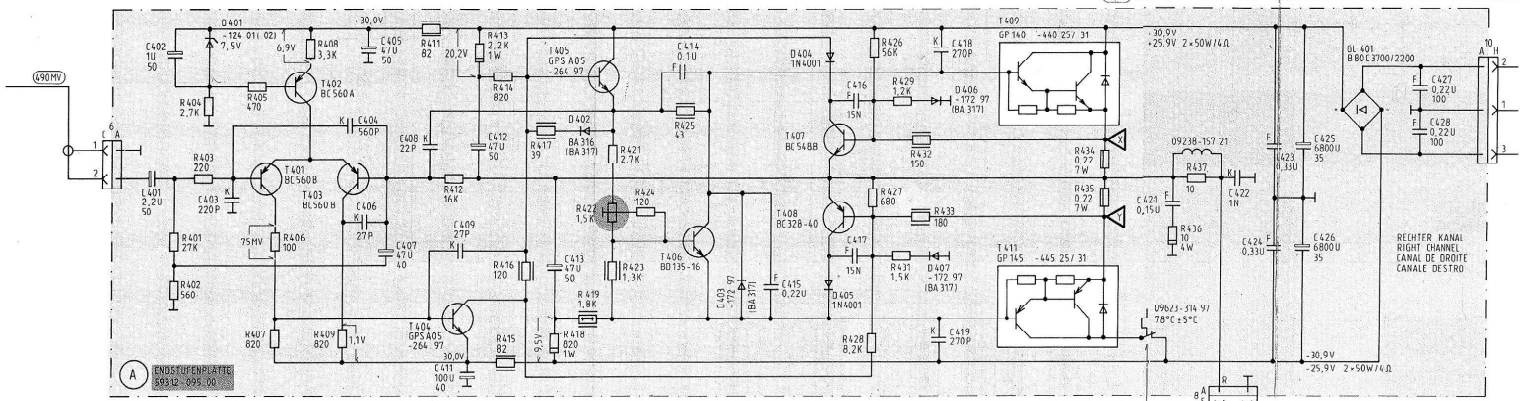
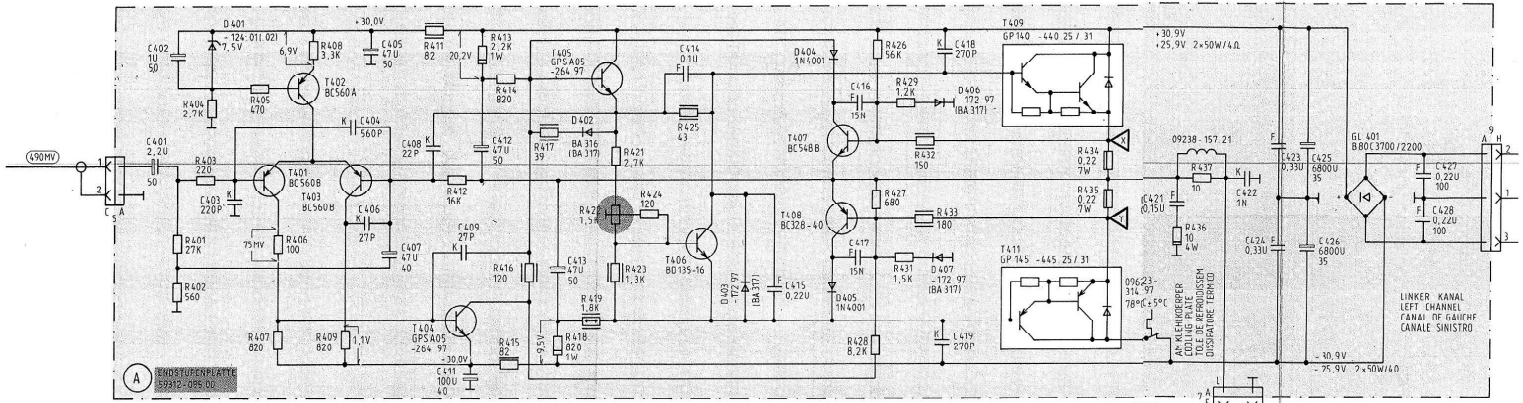
GEZEICHNETE STELLUNG
 DRAWN POSITION
 POSITION DESSINEE
 COMPUTATORE IN POSIZIONE

GEZEICHNETE STELLUNG
 DRAWN POSITION
 POSITION DESSINEE
 COMPUTATORE IN POSIZIONE

„TUNER“

GRUNDIG
 SV 2000
 SV 2000 GB
 SV 2000 U
 55049-906.01

| | | | | | | | | | | | | |
|--|-------------------------------------|---|-----------------------------------|-------------------------------------|--|-------------------------------------|----------------------------------|-------------------|--|-------------------------------------|---|---------------------------|
| 301, 303, 306, 302, 304, 307, | 307, 309, 313, 308, 311, 312, | 314, 320, 315, 316, | 319, 321, | 322, 324, 323, 325, | 326, 328, 332, 334, 327, 329, 330, 340, 331, 333, | 337, 338, | 342, 343, | 344, 346, | 350, 345, | 347, 348, | 349, | 351, 354, 352, 353, |
| 601, 301, 304, 305, 302, 306, 303, | 307, 311, 308, 309, | 312, 314, 317, 318, 315, 319, 316, | 321, 322, 326, 328, 323, | 329, 333, 334, 331, 332, 340, | 335, 338, 342, 336, 339, 343, 345, 347, 337, 341, | 344, 346, 348, 351, 349, 352, | 354, 356, 359, 355, 357, 361, | 365, 367, 366, | 368, 372, 375, 369, 373, 371, 374, | 376, 379, 377, 381, 378, 382, | 383, 386, 389, 384, 387, 391, 385, 388, | |



RECHTSTROMEINSTELLUNG
OHNE LAUTSPRECHERANSCHLUSS MIT R422
SPANNUNGSABFALL AN R434 R435
AUF 30mV ± 10% EINSTELLEN

SETTING OF QUIESCENT CURRENT
WITH LOOSPEAKER SOCKET NOT TERMINATED
ADJUST R422 TO OBTAIN A POTENTIAL DROP
ACROSS R434 R435 OF 30mV ± 10%

REGLAGE DU COURANT DE REPOS
SANS CHARGE HP REGLER RESP PAR R422 LA
CHUTE DE TENSION AUX BORNES DE R434
R435 A 30mV ± 10%

REGOL CORRENTE DI RIPOSO
SENZA CHUISORA SULL'ALTOP. REGOLARE LA
CADUTA DI TENSIONE CON R422 AGENDO SU
R434 R435 PORTANDO IL VALORE 30mV
± 10%

GEKENNZEICHNETE BAUTEILE
AUS SICHERHEITSGRUNDEN NUR DURCH ORIGINALBAUTEILE ERSETZEN!

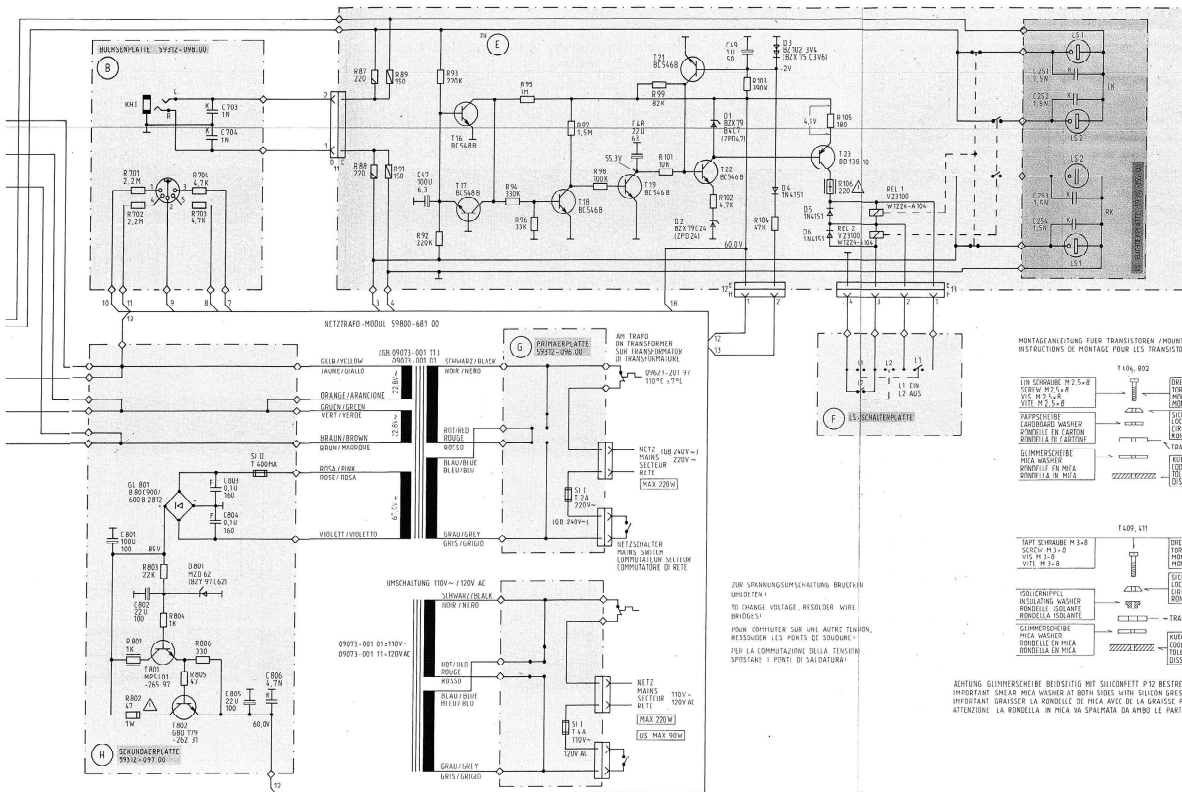
MARKED COMPONENTS
FOR SAFETY REASONS, REPLACE THESE COMPONENTS BY ORIGINAL COMPONENTS ONLY!

COMPONENTS REPÉRÉS
POUR DE RAISONS DE SÉCURITÉ, NE REMPLACEZ CES COMPOSANTS PAR DES QUE COMPOSANTS ORIGINAUX!

COMPONENTI CONTRASSEGNAATI
PER MOTIVI DI SICUREZZA SOSTITUIRELI SOLO CON PEZZI DI RIFABBRIC ORIGINALI!

401, 402, 403, 404, 405, 407, 408, 409, 412, 411, 413, 414, 415, 416, 417, 418, 419, 421, 422, 423, 425, 426, 427, 428,

401, 403, 404, 405, 406, 408, 409, 411, 412, 413, 414, 416, 417, 418, 419, 421, 422, 423, 425, 426, 427, 428, 429, 430, 431, 433, 434, 435,



SPANNUNGEN MIT GRUNDIG-MULTIVOLTMETER (R1=10MΩ), FALLS NICHT ANDERS ANGEZEIGT, GEGEN MASSA GEMESSEN. MESSWERTE GELTEN BEI 220V~ NETZSPANNUNG UND IM NICHTERWÄRMTEIN (20°C) UNTER NORMALEM LUFTDRUCK. BEI 20°C: RAUMTEMPERATUR.

↳ M SPANNUNGEN FREQUENZ (CROSS)

IF NOT OTHERWISE INDICATED ALL VOLTAGES ARE MEASURED AGAINST GROUND WITH A GRUNDIG MULTIVOLTMETER (R1=10MΩ). THE VALUES ARE VALID FOR 220V AC MAINS VOLTAGE, INSTRUMENT NOT WARMED UP, 20°C AMBIENT TEMPERATURE.

↳ IF VOLTAGES FREQUENCY (CROSS)

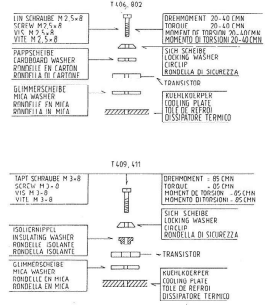
SAUF INDICATION CONTRAIRE LES TENSIONS SONT MESURÉES PAR RAPPORT AU CHÂSSIS AVEC UN VOLTMÈTRE GRUNDIG (R1=10MΩ). LES VALEURS SONT VALABLES POUR UNE TENSION SECTEUR DE 220V-CA, L'APPAREIL EN ÉTAT NON-ÉCHAUFFÉ, L'TEMPÉRATURE AMBIANTE DE 20°C.

↳ TENSIONI DI FREQUENZA (CROSS)

TENSIONI POSITIVE CON MULTIVOLTMETRO GRUNDIG (R1=10MΩ). SALVO ALTE. INDICAZIONI, SPERTE A MASSA.

↳ TENSIONI DI FREQUENZA (CROSS)

MONTAGEANLEITUNG FÜR TRANSISTOREN / MOUNTING INSTRUCTIONS FOR TRANSISTORS
INSTRUCTIONS DE MONTAGE POUR LES TRANSISTORS / INSTRUZIONI DI MONTAGGIO PER DEI TRANSISTORI

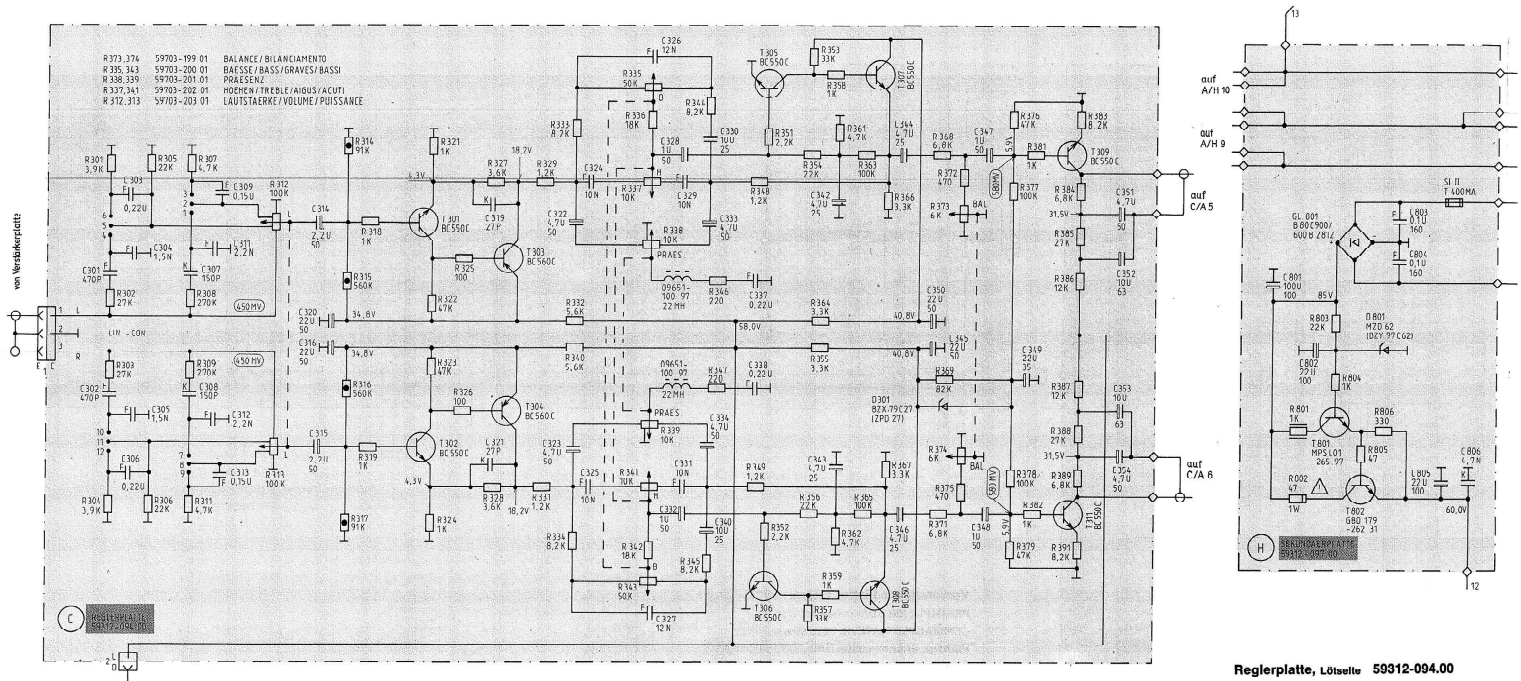


ACHTUNG GLIMMERSCHREIBE BEIDSEITIG MIT SILICONFETT P12 BESTREICHEN (WACKER-CHEMIE, MUEHLCHEN)
IMPORTANT: SHEAR MICA WASHER AT BOTH SIDES, WITH SILICON GASSÉ P12 (WACKER-CHEMIE, MUEHLCHEN)
ATTENZIONE: LA RONDELLA IN MICHA VA SPALMATO DA AMBIO LE PARTI DI GRASSO AL SILICONI P12 (WACKER-CHEMIE, MUEHLCHEN)

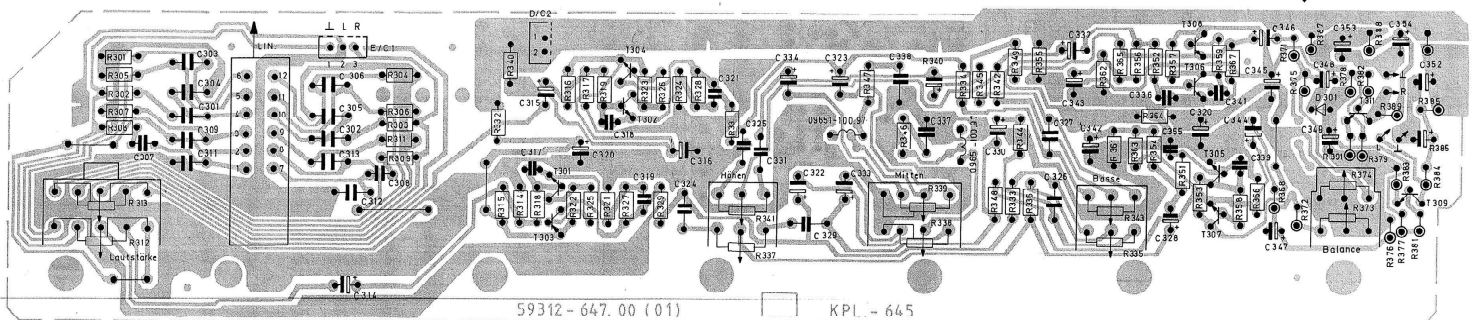
GRUNDIG
SV 2000
SV 2000 GB
SV 2000 U

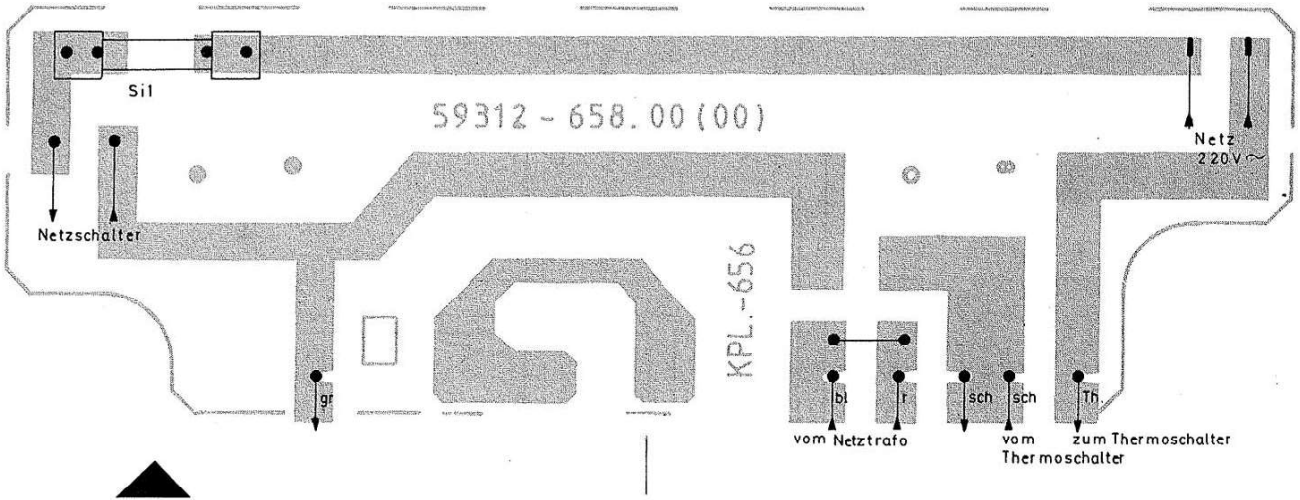
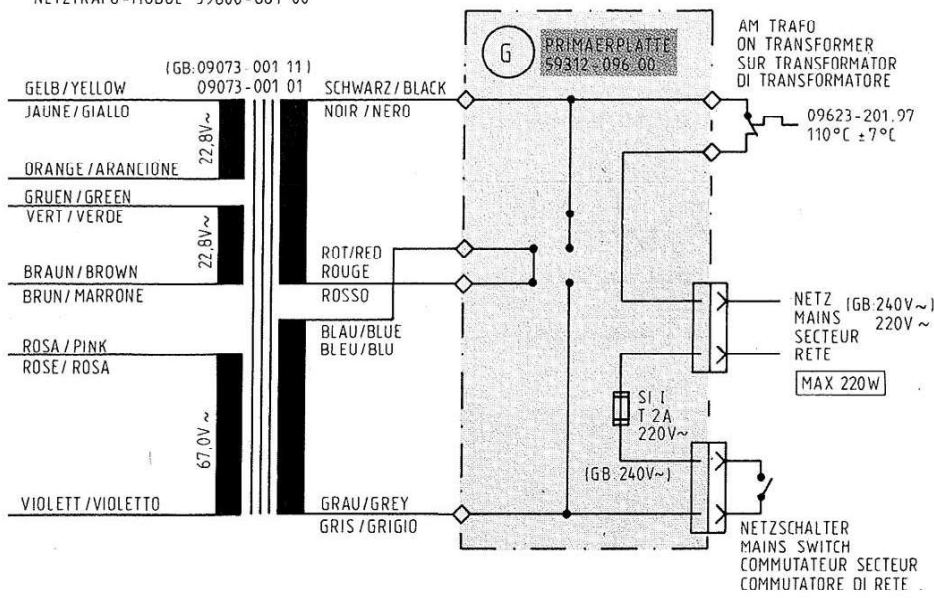
55049-906.01

22792 261180/FDN



Reglerplatte, Lötseite 59312-094.00
CONTROLS BOARD, SOLDER SIDE
CI DE REGLAGES, CÔTE SOUDURES
PIASTRA REGOLATORI, LATO SALDATURE





Primär-Platte, Lötseite 59312-096.00

PRIMARY BOARD, SOLDER SIDE

CI PRIMAIRE, COTE SOUDURES

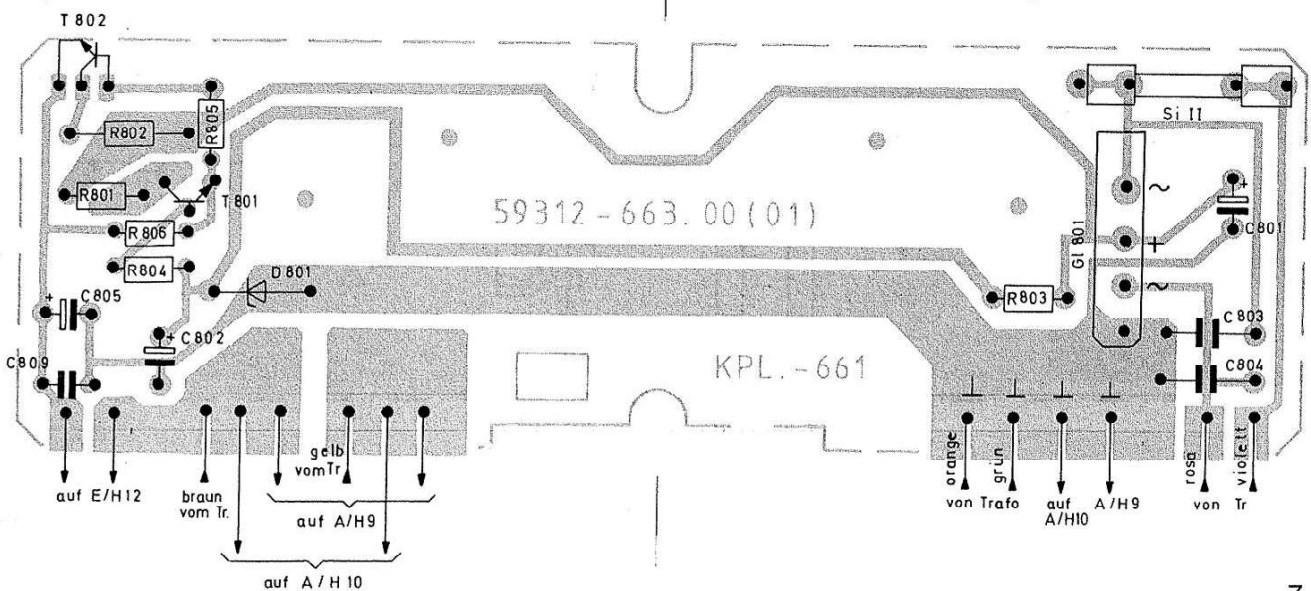
PIASTRA PRIMARIO, LATO SALDATURE

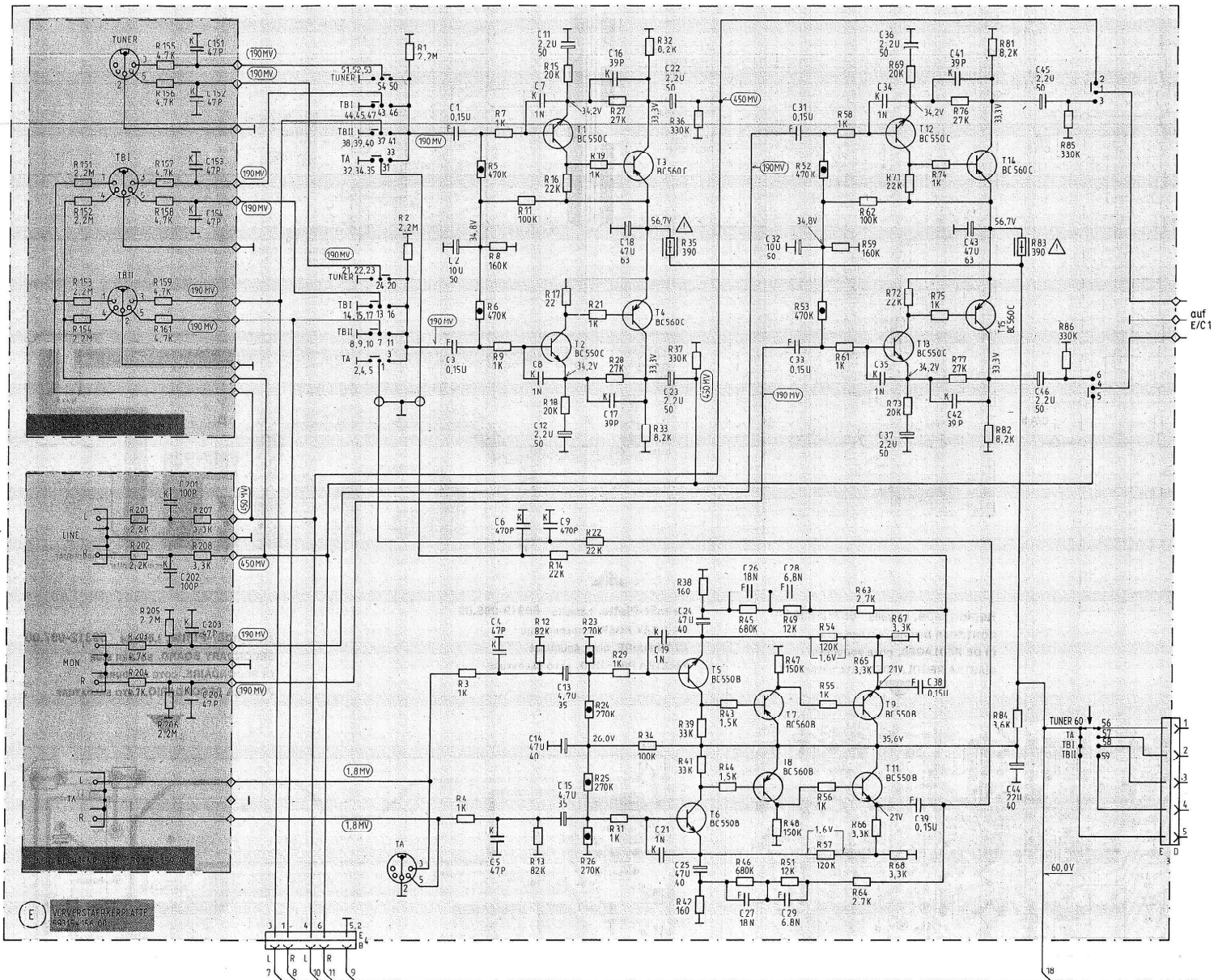
Sekundär-Platte, Lötseite 59312-097.00

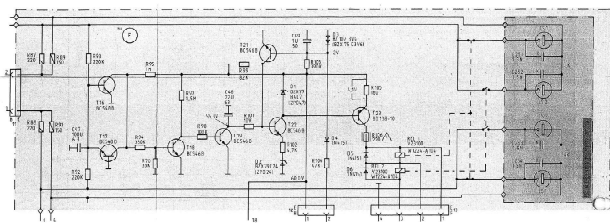
SECONDARY BOARD, SOLDER SIDE

CI SECONDAIRE, COTE SOUDURES

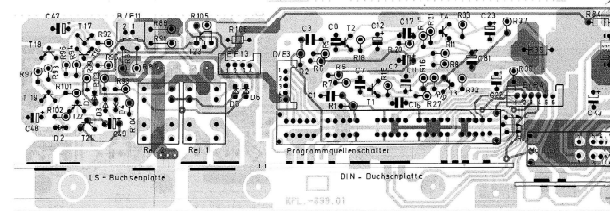
PIASTRA SECONDARIO, LATO SALDATURE



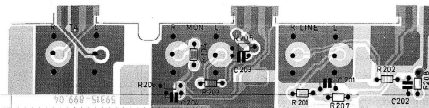




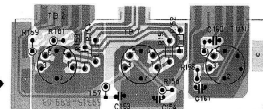
Vorverstärker-Platte, Lünette 59815-158.00
PREAMPLIFIER BOARD, socket case
CI PREAMPLIFICATEUR, coque socket
PIASTRA PREAMPLIFICATRICE, lato saldatore



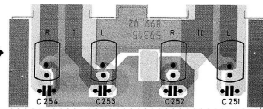
10



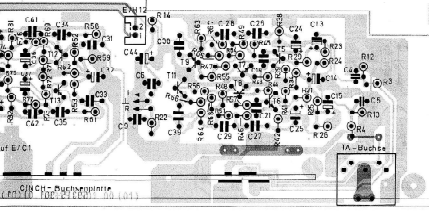
DIN-Buchsenplatte, Lünette 59815-159.00
DIN SOCKET BOARD, socket case
CI PRIBRA + CINCA +, coque socket
PIASTRA PRESE DIN, lato saldatore



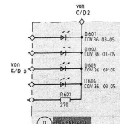
DIN-Buchsenplatte, Lünette 59815-158.00
DIN SOCKET BOARD, socket case
CI PRIBRA + CINCA +, coque socket
PIASTRA PRESE DIN, lato saldatore



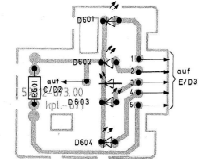
LS-Buchsen-Platte, Lünette 59815-157.00
LS-SOCKET BOARD, socket case
CIRCUIT SOCKET BRIDES HP, coque socket
PIASTRA PRESE ALLUPALANTE, lato saldatore



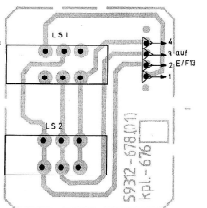
11



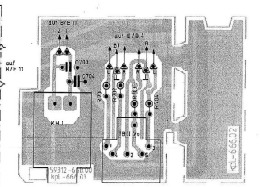
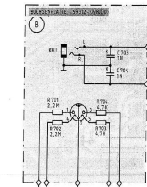
Diodenplatte, Lünette 59812-100.00
DIODE BOARD, socket case
CI DIODES, coque socket
PIASTRA DIODI, lato saldatore



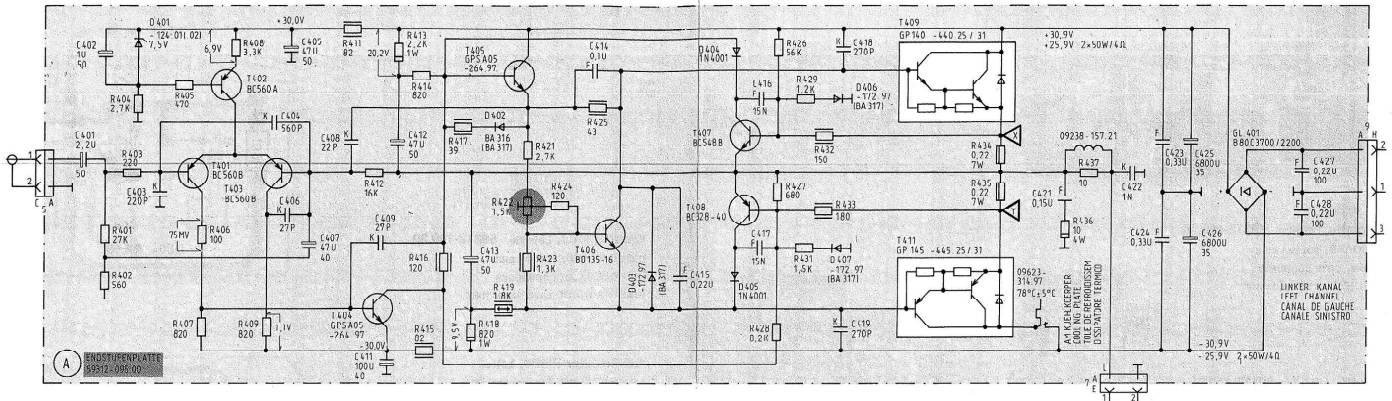
LS-Schalter-Platte, Lünette 59812-100.00
LS-SWITCH BOARD, socket case
CI COMBINATION HP, coque socket
PIASTRA COMBINATION ALLUPALANTE, lato saldatore



Buchsen-Platte, Lünette 59812-098.00
SOCKET BOARD, socket case
CI PRIBRA, coque socket
PIASTRA PRESE, lato saldatore



12



Endstufen-Platte, Lötseite 59312-095.00
 OUTPUT STAGE BOARD, SOLDER SIDE
 CI ETAGE DE SORTIE, COTE SOUDURES
 PIASTRA STADIO FINALE, LATO SALDATURE

