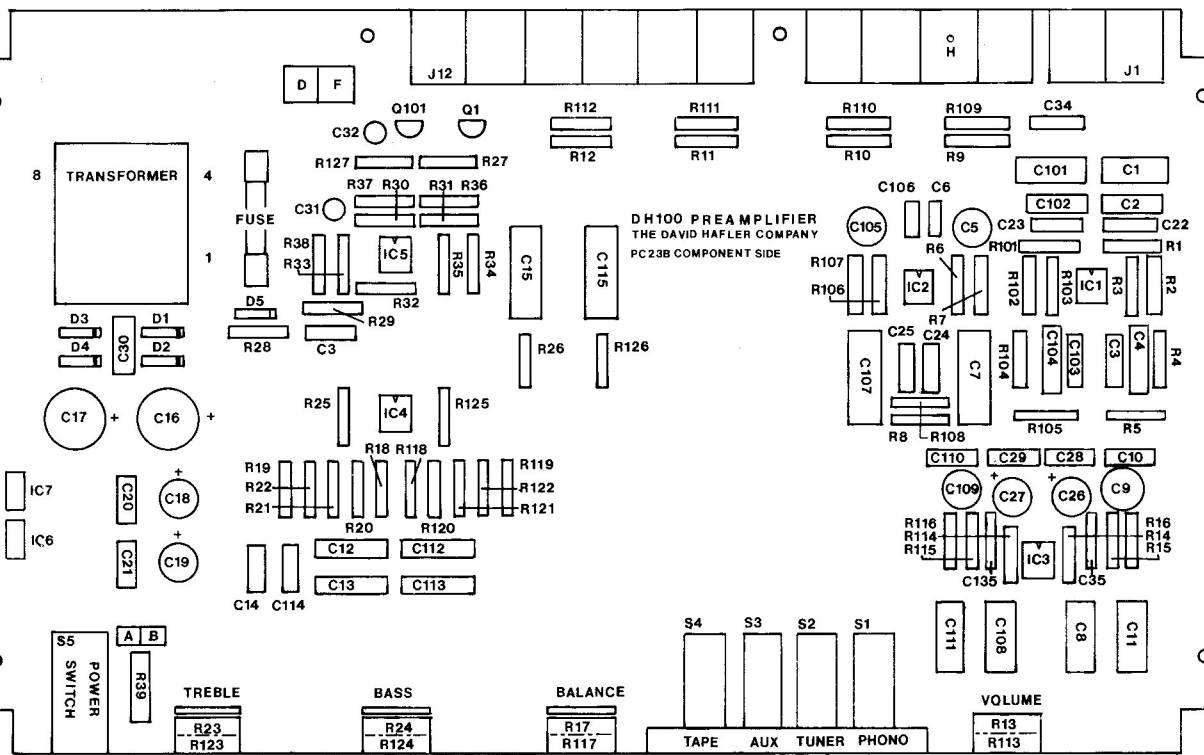


PREAMPLIFIER DH100

SCHEMATIC DIAGRAM PC23B

SERIES 2

(The following resistors are metal film, 1/4W, 1% unless noted.)



Part No.	Component	Value	Part No.	Component	Value
J1-J12	Jack, RCA phono type, single circuit		R25,125	Potentiometer, TREBLE,	2 X 25K, special taper
Q1,101	J112 muting FET		R26,126	Potentiometer, BASS,	2 X 25K, special taper
R1,101	47.5 K ohms	RM036	R27,127	Potentiometer, VOLUME,	2 X 50K audio taper
R2,102	12.1 K ohms	RM057	R14,114	274 K ohms	RM055
R3,103	316 ohms	RM015	R15,115	10.0 K ohms	RM023
R4,104	28.0 K ohms	RM053	R16,116	1.10 K ohms	RM025
R5,105	3.92 K ohms	RM054	R17,117	Potentiometer, BALANCE,	2 X 50K linear taper
R6,106	12.1 K ohms	RM057	R18,118	22.1 K ohms	RM035
R7,107	1.10 K ohms	RM025	R19,119	4.75 K ohms	RM052
R8-R11	1 megohm	RM044	R20,120	1.10 K ohms	RM025
R108-			R21,121	1.10 K ohms	RM025
R111	1 megohm	RM044	R22,122	4.75 K ohms	RM052
R12,112	150 ohms	RM013	R23,123	Potentiometer, TREBLE,	2 X 25K, special taper
R13,113	Potentiometer, VOLUME,	RP025	R24,124	Potentiometer, BASS,	2 X 25K, special taper
	2 X 50K audio taper		R25,125	22.1 K ohms	RM035
R14,114	274 K ohms	RM055	R26,126	150 ohms	RM013
R15,115	10.0 K ohms	RM023	R27,127	1000 ohms, carbon film, 5%	RC015
R16,116	1.10 K ohms	RM025	R28,29	470 K ohms, carbon film, 5%	RC044
R17,117	Potentiometer, BALANCE,	RP024	R30	10 K ohms, carbon film, 5%	RC016
	2 X 50K linear taper		R31	39 K ohms, carbon film, 5%	RC038
R18,118	22.1 K ohms	RM035	R32	2.2 megohms, carbon film, 5%	RC028
R19,119	4.75 K ohms	RM052	R33	270 ohms, carbon film, 5%	RC029
R20,120	1.10 K ohms	RM025	R34,35	100 K ohms, carbon film, 5%	RC017
R21,121	1.10 K ohms	RM025	R36	4.7 K ohms, carbon film, 5%	RC042
R22,122	4.75 K ohms	RM052	R37	1.8 K ohms, carbon film, 5%	RC023
R23,123	Potentiometer, TREBLE,	RP023	R38	390 K ohms, carbon film, 5%	RC057
	2 X 25K, special taper		R39	2.7 K ohms, carbon film, 1/2 Watt, 5%	RD124
R24,124	Potentiometer, BASS,	RP023	S1-S4	Switch, Selector assembly, Non-shorting	SA117
	2 X 25K, special taper		S5	Switch, POWER, Push-push type. SPST	SL113
R25,125	22.1 K ohms	RM035	T1	Transformer, 120VAC Primary	TA126
R26,126	150 ohms	RM013		alternate 220VAC Primary	TA127
R27,127	1000 ohms, carbon film, 5%	RC015			
R28,29	470 K ohms, carbon film, 5%	RC044			
R30	10 K ohms, carbon film, 5%	RC016			
R31	39 K ohms, carbon film, 5%	RC038			
R32	2.2 megohms, carbon film, 5%	RC028			
R33	270 ohms, carbon film, 5%	RC029			
R34,35	100 K ohms, carbon film, 5%	RC017			
R36	4.7 K ohms, carbon film, 5%	RC042			
R37	1.8 K ohms, carbon film, 5%	RC023			
R38	390 K ohms, carbon film, 5%	RC057			
R39	2.7 K ohms, carbon film, 1/2 Watt, 5%	RD124			
S1-S4	Switch, Selector assembly, Non-shorting	SA117			
S5	Switch, POWER, Push-push type. SPST	SL113			
T1	Transformer, 120VAC Primary	TA126			
	alternate 220VAC Primary	TA127			

H100 COMPONENT LIST

Part No.	Component	Value	Part No.	Component	Value
0101	Capacitor, polycarbonate.	1.0 MFD/100V	CC126	Capacitor, polypropylene.	0.033 MFD/160V
0102	Capacitor, polypropylene.	120 pFD/160V	CP112	Capacitor, polypropylene.	0.033 MFD/160V
0103	Capacitor, polypropylene.	0.027 MFD/160V	CP141	Capacitor, electrolytic.	470 MFD/25V
0104	Capacitor, polypropylene.	0.08 MFD/160V	CP142	Capacitor, polypropylene.	0.033 MFD/160V
0105	Capacitor, electrolytic, NP.	220 MFD/10V	CN112	Capacitor, ceramic disk.	0.005 MFD/1000V
0106	Capacitor, polypropylene.	0.033 MFD/160V	CP138	C31,32	Capacitor, electrolytic, NP.
0107	Capacitor, polypropylene.	2.2 MFD/100V	CP115	C33	Capacitor, polypropylene.
0108	Capacitor, polycarbonate.	1.0 MFD/100V	CC126	C34	Capacitor, ceramic disk.
0109	Capacitor, electrolytic, NP.	220 MFD/10V	CN112	C35,135	Capacitor, polypropylene.
0110	Capacitor, polypropylene.	0.033 MFD/160V	CP138	D1-D5	Diode, 1N4003
0111	Capacitor, polycarbonate.	1.0 MFD/100V	CC126	D6	LED, red, nipple tip
0112	Capacitor, polypropylene.	0.1 MFD/1%/160V	CP143	F1	Fuse, 1/16 A. (slo-blo)
0113	Capacitor, polypropylene.	0.1 MFD/1%/160V	CP143	IC1-IC4	Operational Amplifier, MC33078/5532
0114	Capacitor, polypropylene.	0.01 MFD/1%/160V	CP139	IC5	Dual Comparator, LM393
0115	Capacitor, polypropylene.	2.2 MFD/100V	CP115	IC6	Regulator, negative, 7915
0117	Capacitor, electrolytic.	1000 MFD/50V	CL124	IC7	Regulator, positive, 7815
0119	Capacitor, electrolytic.	470 MFD/25V	CL111		
0121	Capacitor, polypropylene.	0.033 MFD/160V	CP138		