

V1 12AX7 / ECC83

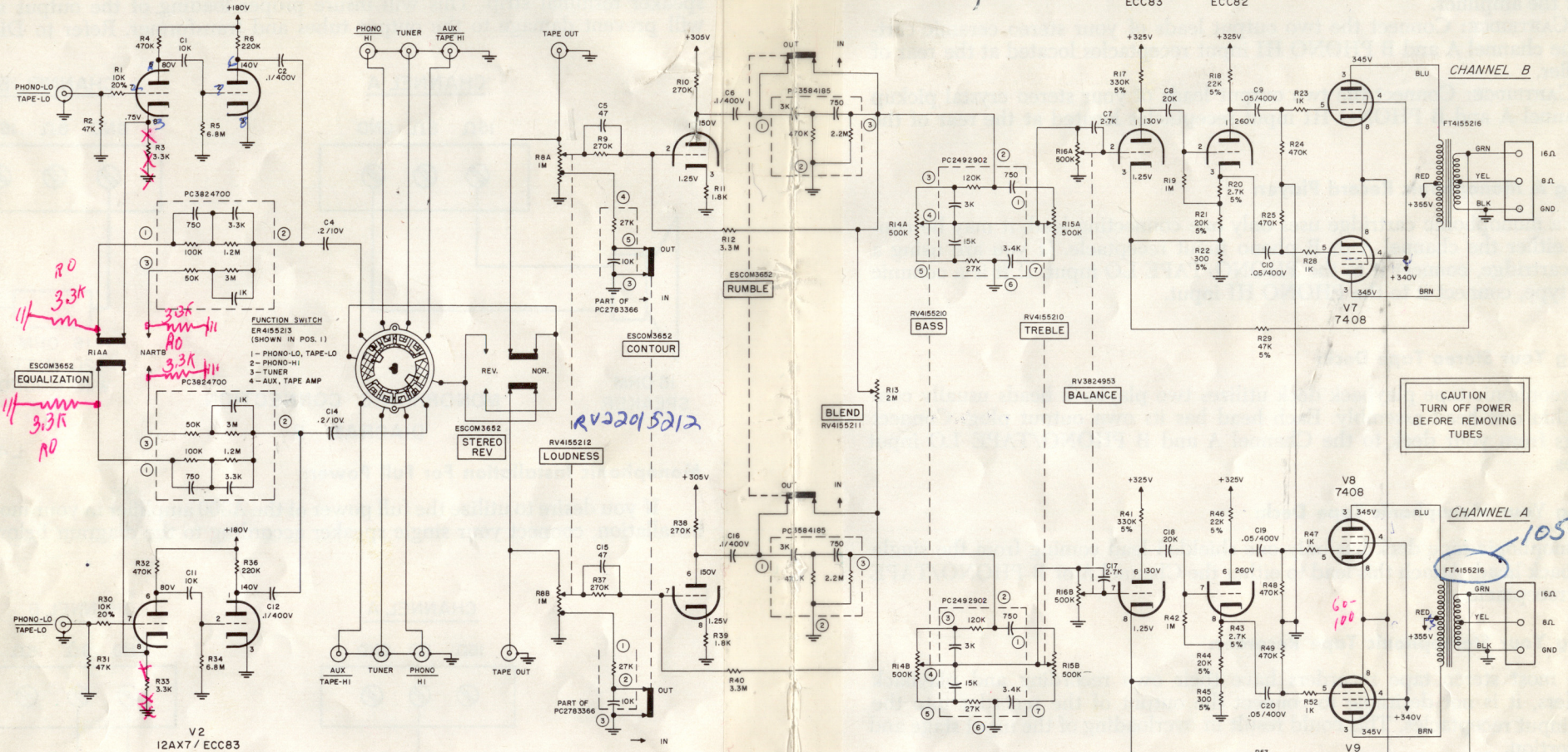
V3 12AX7 / ECC83

V4 12AX7 / ECC83

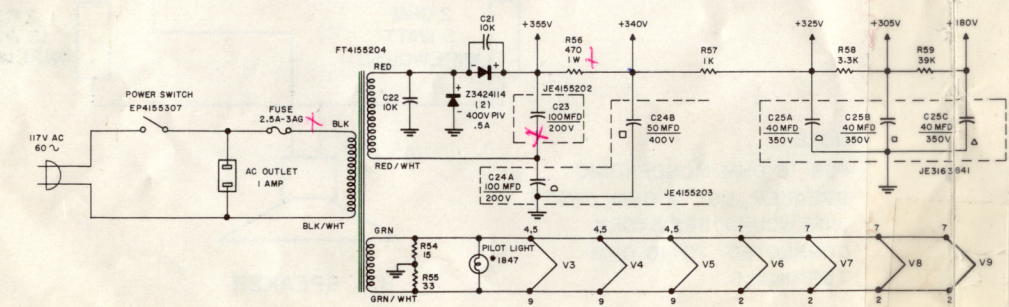
V5 12AU7 / ECC82

V6 7408

V2 12AX7 / ECC83



CAUTION  
TURN OFF POWER  
BEFORE REMOVING  
TUBES



RESISTANCE READINGS

ITEM	TUBE	PIN 1	PIN 2	PIN 3	PIN 4	PIN 5	PIN 6	PIN 7	PIN 8	PIN 9
V1	12AX7	—	6.8M	0	—	—	—	—	—	—
V2	12AX7	—	6.8M	0	—	—	—	5.7K	3.3K	—
V3	12AX7	—	700K	1.8K	—	—	—	700K	1.8K	—
V4	12AX7	—	300Ω	—	—	—	—	—	300Ω	—
V5	12AU7	—	IM	23K	—	—	—	—	IM	23K
V6	7408	—	—	—	—	—	—	500K	—	—
V7	7408	—	—	—	—	—	—	500K	—	—
V8	7408	—	—	—	—	—	—	500K	—	—
V9	7408	—	—	—	—	—	—	500K	—	—

VOLTAGE & RESISTANCE READING  
FUNCTION SWITCH IN TUNNER POSITION.  
BASS & TREBLE CONTROLS FLAT.  
BALANCE CONTROL IN CENTER.  
LOUDNESS CONTROL MAX CW POSITION.  
BLEND IN STEREO POSITION.

NOTES

- UNLESS OTHERWISE SPECIFIED—
- 1- ALL RESISTANCE VALUES IN OHMS ± 10%.
- 2- ALL RESISTORS 1/2 WATT.
- 3- ALL CAPACITORS WITH DECIMAL VALUES IN MFD.
- 4- ALL CAPACITORS WITHOUT DECIMAL VALUES IN MMF.
- 5- ALL VOLTAGES ARE DC & MAY VARY ± 20%.

S415  
S415931A

A300

Handwritten notes: "1K 11NARTS", "3M", "5K 3M".

Handwritten note: "10517345"