

SPEAKER SELECTOR



CONTOUR



RUMBLE FILTER



SCRATCH FILTER



EQUALIZATION



TREBLE



BASS



LOUDNESS



BALANCE



MODE

STEREO \* MONAURAL \* RIGHT \* LEFT \* REVERSE

FUNCTION

AUX 2 \* TUNER \* PHONO \* AUX 1 \* TAPE HD

Harman International  
Kardon

Epic





2802293

2802293

LEFT  
PREAMP  
OUT  
TAPE  
OUT  
TUX 1  
TUX 2  
LIVER  
TAPES  
NO.  
CER.  
STL  
MAGNETIC

RIGHT CHANNEL LEFT CHANNEL

HARMAN-KARDON INC.  
WESTBURY, N.Y.  
MODEL A250  
MADE IN U.S.A.

RIGHT SPEAKERS

LEFT SPEAKERS

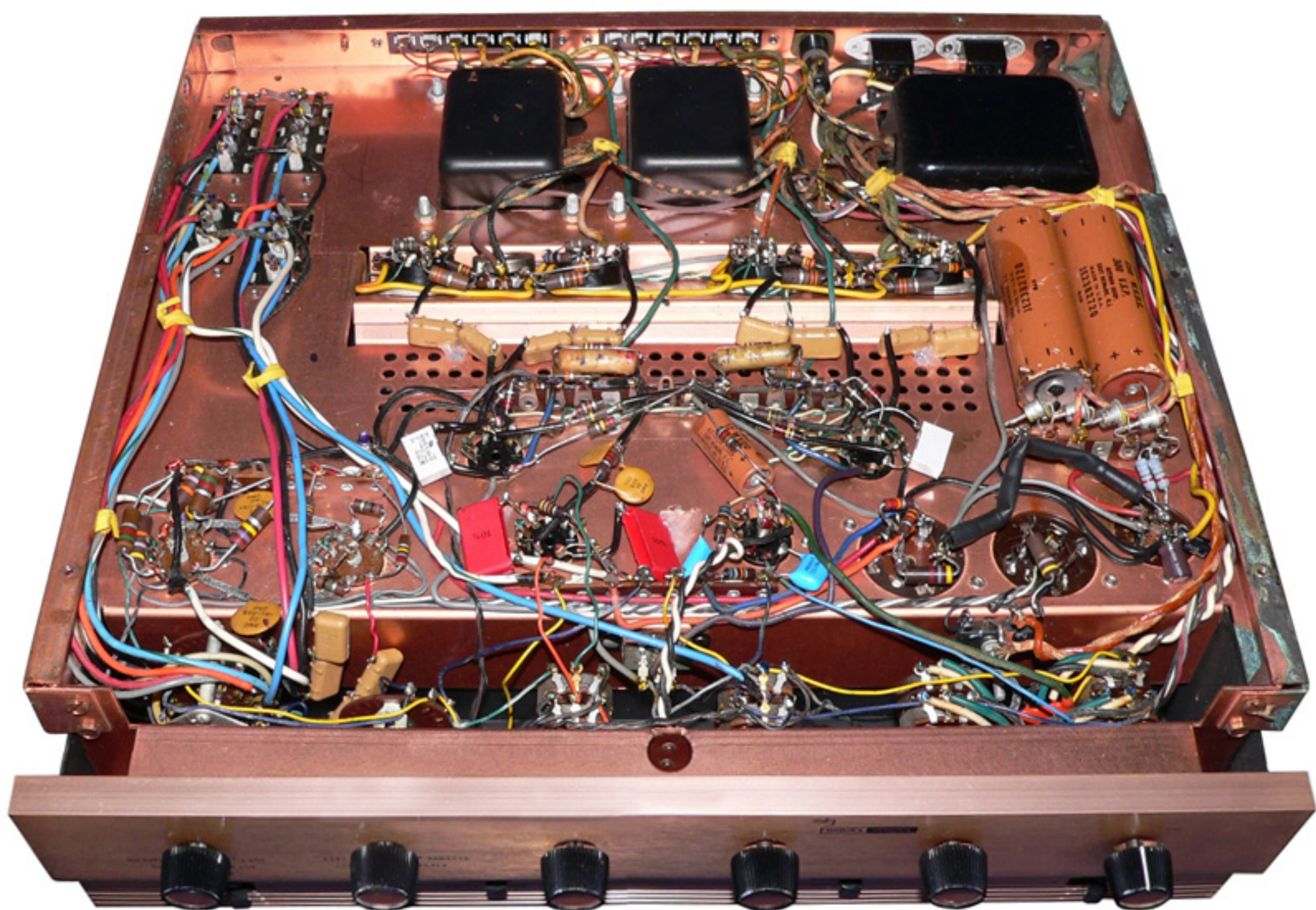
1 AMPS TOTAL

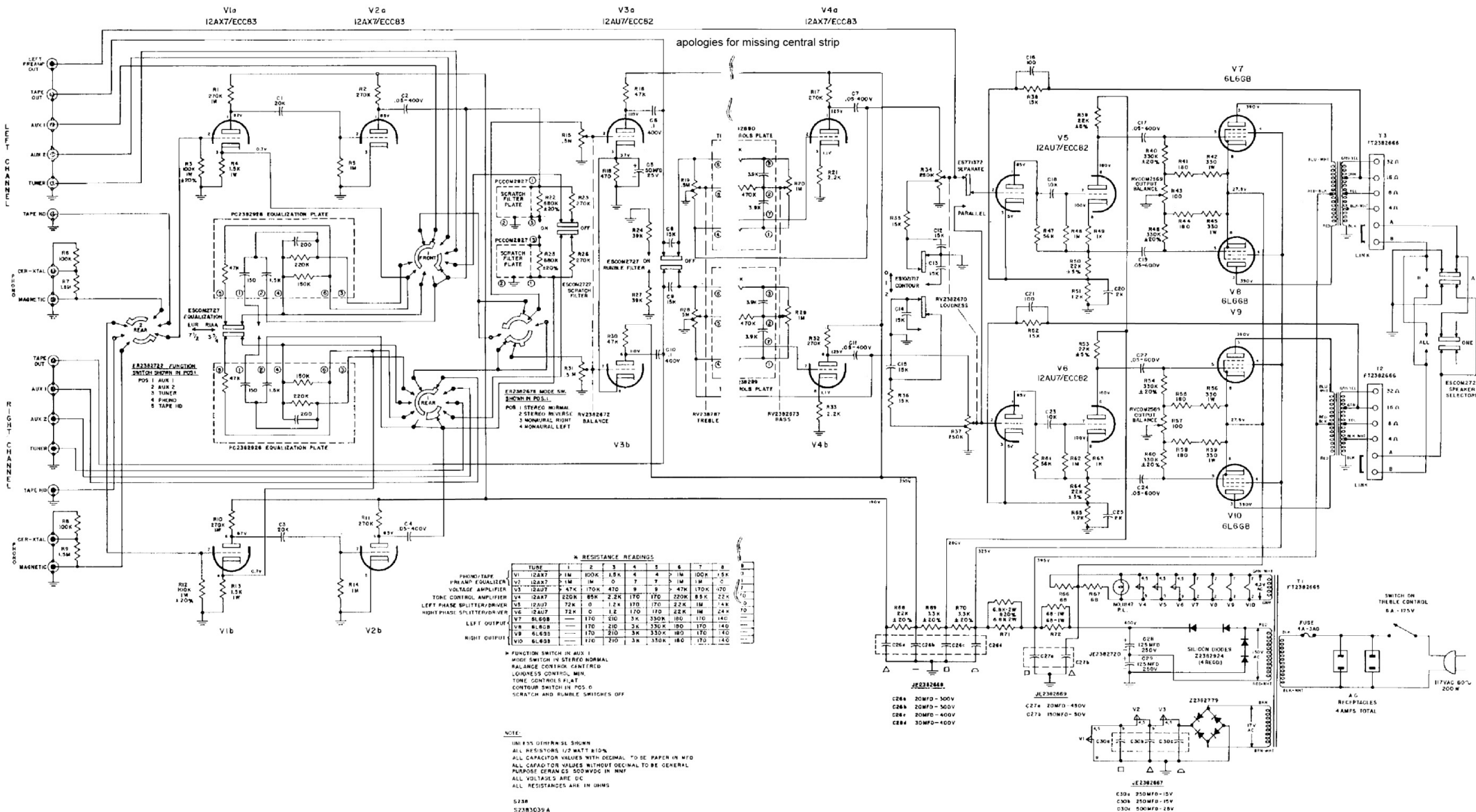
117V 60  
200W

FUSE

FT2382665E  
1052 848

20MFD 250 WV  
20MFD 250 WV  
20MFD 250 WV  
20MFD 250 WV





apologies for missing central strip

W RESISTANCE READINGS

| TUNE     | 1    | 2    | 3    | 4    | 5   | 6    | 7    | 8    |
|----------|------|------|------|------|-----|------|------|------|
| V1 12AX7 | 1M   | 100K | 4.5K | 4    | 4   | 1M   | 100K | 1.5K |
| V2 12AX7 | 1M   | 1M   | 0    | 7    | 7   | 1M   | 1M   | C    |
| V3 12AX7 | 47K  | 170K | 410  | 9    | 9   | 47K  | 170K | 70   |
| V4 12AX7 | 220K | 85K  | 2.2K | 170  | 170 | 220K | 8.5K | 2.2  |
| V5 12AU7 | 72K  | 0    | 1.2K | 170  | 170 | 22K  | 1M   | 4K   |
| V6 12AU7 | 72K  | 0    | 1.2  | 170  | 170 | 22K  | 1M   | 24K  |
| V7 6L6GB | 170  | 210  | 3K   | 330K | 180 | 170  | 140  |      |
| V8 6L6GB | 170  | 210  | 3K   | 330K | 180 | 170  | 140  |      |
| V9 6L6GB | 170  | 210  | 3K   | 330K | 180 | 170  | 140  |      |

FUNCTION SWITCH IN POS. 1  
 WIDE SWITCH IN STEREO NORMAL  
 BALANCE CONTROL CENTERED  
 LOUDNESS CONTROL MIN  
 TONE CONTROL FLAT  
 CONTOUR SWITCH IN POS. 0  
 SCRATCH AND RUMBLE SWITCHES OFF

NOTE:  
 DIM. PINS CENTERED SHOWN  
 ALL RESISTORS 1/2 WATT 5%  
 ALL CAPACITOR VALUES WITH DECIMAL TO BE PAPER IN WFO  
 ALL CAPACITOR VALUES WITHOUT DECIMAL TO BE GENERAL  
 PURPOSE CERAMIC 500VDC IN WFO  
 ALL VOLTAGES ARE DC  
 ALL RESISTANCES ARE IN OHMS