

**The Harman-Kardon  
Model 75 +**

---

**AM/Stereo FM  
Multichannel Receiver**

**Technical Manual**

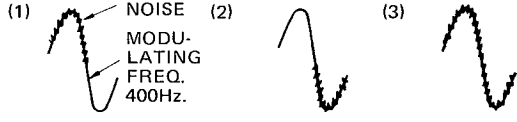
**harman/kardon**

# ALIGNMENT PROCEDURES

## FM IF & RF ALIGNMENT

**INSTRUMENTS:** FM S.S.G., modulator with 400Hz at 100%, V.T.V.M., Oscilloscope, and Distortion Meter.

**NOTE:** Set TONE control to flat response (or mechanical center of both of BASS control and TREBLE control)  
Set FUNCTION selector to FM.

Step	SIGNAL SOURCE	OUTPUT METER	ADJUST	ADJUST FOR
1	Check mechanical zero center of TUNING indicator, M101 at POWER switch OFF. Adjust it if necessary.			
2	None (FM ANTENNA terminals opened). Tuning control at no signal.	TUNING indicator, connect oscilloscope and V.T.V.M. to TAPE OUT.	TOP adjuster of T101 (or RAT CAN)	Zero or center indication ON TUNING indicator M101 observing noise output with output meter.
3	Same as above.	Same as above.	Bottom adjuster of T101.	Maximum noise output on V.T.V.M.
4	Same as above.	Same as above.	TOP and bottom adjusters of 'IF' in FRONT-END	Same as above.
5	Connect SSG to FM ANT terminal, with no signal (or SSG OFF). Tuning control at no signal.	Same as above.	Readjust TOP adjuster of T101.	Zero or center indication ON TUNING indicator, M101.
6	Set SSG output to 88MHz, Tune radio to 88MHz of SSG.	Same as above.	LO, LR and LA in FRONT-END.	Maximum noise output on V.T.V.M.
7	Set SSG output to 106MHz, and tune radio to 106MHz.	Same as above.	TCO, TCR and TCA in FRONT-END.	Same as above.
8	Repeat step 6 and 7 for best sensitivity.			
9	Use very weak signals of 88MHz. Tune radio to 88MHz.	Same as above.	LA and LR.	Zero or center indication of TUNING indicator M101.
10	Use very weak signals of 106MHz. Tune radio to 106MHz.	Same as above.	TCA and TOR.	Same as above.
11	Repeat step 3 through 5 for best setting under SSG connected but no signal.			
12	Use 98MHz, 1mV signals from SSG modulated with 400Hz at 100%. Tune radio to 98MHz. (Note: If another signal exists, shift to quiet point)	Connect distortion meter, V.T.V.M. and oscilloscope to SPEAKER out.	Bottom adjuster of T101.	Minimum harmonic distortion on distortion meter keeping noise output to 3V on V.T.V.M. (adjust VOLUME CONTROL VR301 through VR601, if necessary).
13	Same as above.	Same as above.	<p>Observe output waveform with oscilloscope at S/N = 20 to 30dB. Observed waveform will be (1), (2) or (3), below:</p>  <p>UNACCEPTABLE      UNACCEPTABLE      ACCEPTABLE</p> <p>Wave form (1) and (2) will result from misalignment.</p> <p>(1) To correct, carefully adjust two adjusters of IF on the FRONT-END and bottom adjuster of T101.</p> <p>(2) Check TUNING meter zero center again under no signals of SSG. If necessary, adjust the zero point with TOP adjuster of T101.</p> <p>(3) For ANTENNA input of 1mV from SSG, distortion shall be adjusted with bottom adjuster of T101, if, necessary.</p>	

### AM ALIGNMENT PROCEDURE

**INSTRUMENTS:** SSG, modulated with 400Hz at 30%, V.T.V.M., AM IF Sweep Generator, and Oscilloscope.

**NOTE:** Set FUNCTION selector to AM.

Connect signal source to a loop placed to radiate signals into AM ANT LOOP STICK.

Step	SIGNAL SOURCE OUTPUT	CONNECT OUTPUT METER TO	DIAL SETTING	ADJUST	ADJUST FOR
1	455kHz of sweep generator	V.T.V.M. & oscilloscope to TAPE OUT	Quiet point near 1600kHz	T162 (Black)	Maximum and symmetrical pattern on SCOPE
2				T161, input side	
3				T161, output side	
4	Repeat step 1 through 3 for best sensitivity and symmetrical pattern on oscilloscope.				
5	525kHz of S.S.G.	V.T.V.M. to TAPE OUT 1 and distortion meter together with oscilloscope to speaker out	Gang fully closed	L162 (Black)	Maximum output
6	1700kHz of S.S.G.		Gang fully opened	AM oscillator trimmer	
7	Repeat step 5 and 6 for best sensitivity				
8	600kHz of S.S.G.	Same as above	600kHz	AM ANT LOOP STICK	Same as above
9	1400kHz of S.S.G.		1400kHz	AM ANT trimmer	
10	Repeat step 8 and 9 for best sensitivity.				

### SIDE CHAIN ALIGNMENT FOR MUTING & STEREO THRESHOLD

Step	SIGNAL SOURCE	OUTPUT METER 11	ADJUST	ADJUST FOR
14	Repeat 1, 2 and 3 for optimum setting.			
15	Connect SSG to FM ANT terminal. Quiet point near 98MHz. SSG set on CW	D.C. Voltmeter from ground to R141.	STEREO THRESHOLD VR012.	1.50V on DC voltmeter
16			L101 and SSG output.	Maximum on DC voltmeter; keep DC voltage to 1.50V by adjusting SSG output. TUNING indicator, M101 must indicate zero center all times.
17			MUTING ADJUSTER, VR 101.	Finally, audio output must drop by 3dB with FM MUTING switch ON.
18	Check again zero center on TUNING INDICATOR, M101 with no signal.			

$$\begin{array}{r} 136.20 \\ + 25 \\ \hline 136.45 \\ - 2240 \\ \hline 2240 \end{array}$$

$$\begin{array}{r} 14 \\ 315 \\ 2520 \\ \hline 10080 \\ 3540 \\ \hline 13620 \end{array}$$

4.72  
7.5

$$\begin{array}{r} 5 \\ 4.72 \\ 7.5 \\ \hline 2360 \\ 3304 \\ \hline 2540 \end{array}$$

## MPX ALIGNMENT PROCEDURE

**INSTRUMENTS:** S.S.G., Stereo Generator, V.T.V.M., Oscilloscope, Oscilloscope of low input capacitance, and Distortion Meter  
L + R = 90%, PILOT = 9%, modulation

**NOTE:** Set TONE control to flat response (or mechanical center of both of BASS control and TREBLE control).  
Set FUNCTION selector to FM STEREO.

Step	SIGNAL SOURCE	OUTPUT METER	ADJUST	ADJUST FOR
1	Connect SSG modulated with MPX Generator to FM ANT terminals. Output level: 1mV Pilot level: 6%	Connect low input capacitance oscilloscope to TEST POINT TP.  Connect oscilloscope to TAPE OUT of both channels.	L102	For maximum on scope connected to T.P. at minimum resistance (or extreme counter clockwise) of VR101 and maximum resistance (or extreme clockwise of VR102.
2			L103	
3			L104	
4			VR101	
5	Same as above, but PILOT LEVEL: 9%, only RIGHT channel is modulated with main signal of 1kHz.		L102	For maximum stereo separation.
6	Change main signal modulation to LEFT channel.		L102	For maximum stereo separation.
7	Repeat step 5 and 6, and if unbalance of stereo separation between LEFT and RIGHT exists, correct it with VR102.			
8	Check PILOT level that STEREO INDICATION lights at 5.5% to 6.5% of PILOT LEVEL and that the INDICATION does not light at 1% of P.L.			
9	Return PILOT LEVEL to 9% and check stereo separation at 100Hz and 10kHz.			
10	At 32dB (40μV) of SSG output, adjust STEREO THRESHOLD, VR012 for STEREO INDICATION ON.			
11	Remove oscilloscope from test point, TP and adjust again L104 for best stereo separation.			

## POWER AMP. UNIT (Alignment of Idle current of output transistors).

**INSTRUMENTS:** High sensitivity D.C. voltmeter or synchroscope.

**NOTE:** Set VOLUME control to minimum output.  
No signal.

Step	CONNECT M.S. VOLTMETER TO	ADJUST	ADJUST FOR
1	Across emitter of Q347 and collector of Q348.	VR341	5.5mV on voltmeter.
2	Across emitter of Q447 and collector of Q448.	VR441	Same as above.
3	Across emitter of Q547 and collector of Q548.	VR541	Same as above.
4	Across emitter of Q647 and collector of Q648.	VR641	Same as above.

**SQ UNIT**

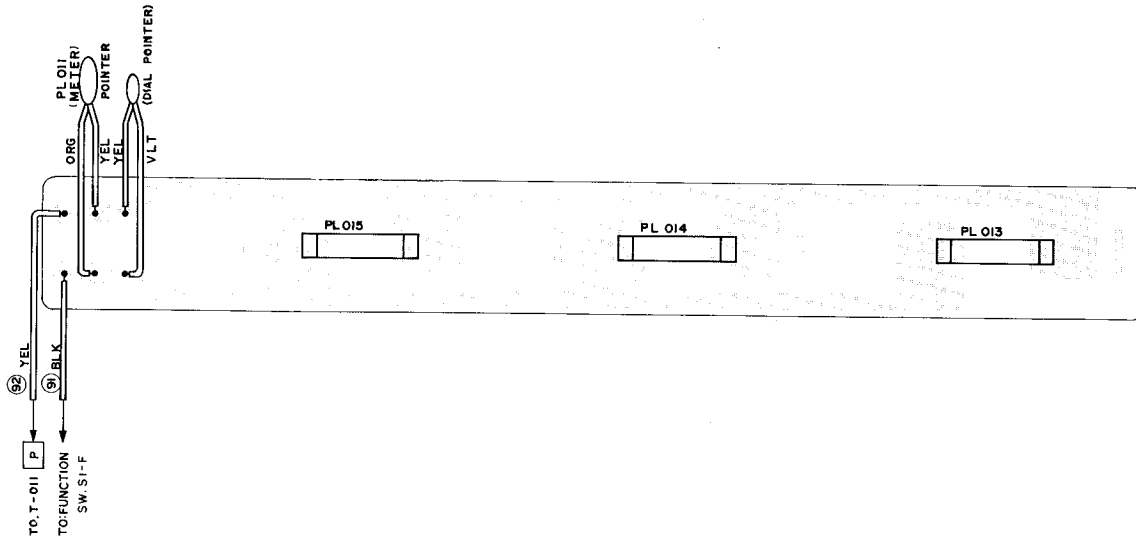
**INSTRUMENTS:** AF Oscillator, 2-V.T.V.M., and Oscilloscope

**NOTE:** Set MODE selector to ENHANCE STEREO.

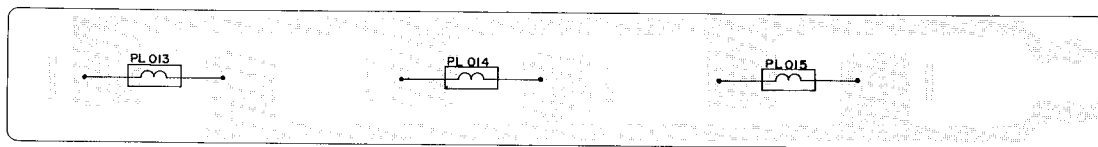
Keep AF oscillator output to 1.0V at 1000Hz during alignment.

Step	SIGNAL SOURCE	OUTPUT METER	ADJUST	ADJUST FOR
1	Connect AFO to LT.	Connect scope and V.T.V.M. to LF	VR201	1.0V on V.T.V.M.
2	Same as above.	Connect scope and V.T.V.M. to LB	VR202	1.0V on V.T.V.M.
3	Connect AFO to RT	Connect scope and V.T.V.M. to RF	VR203	1.0V on V.T.V.M.
4	Same as above.	Connect scope and V.T.V.M. to RB	VR204	1.0V on V.T.V.M.

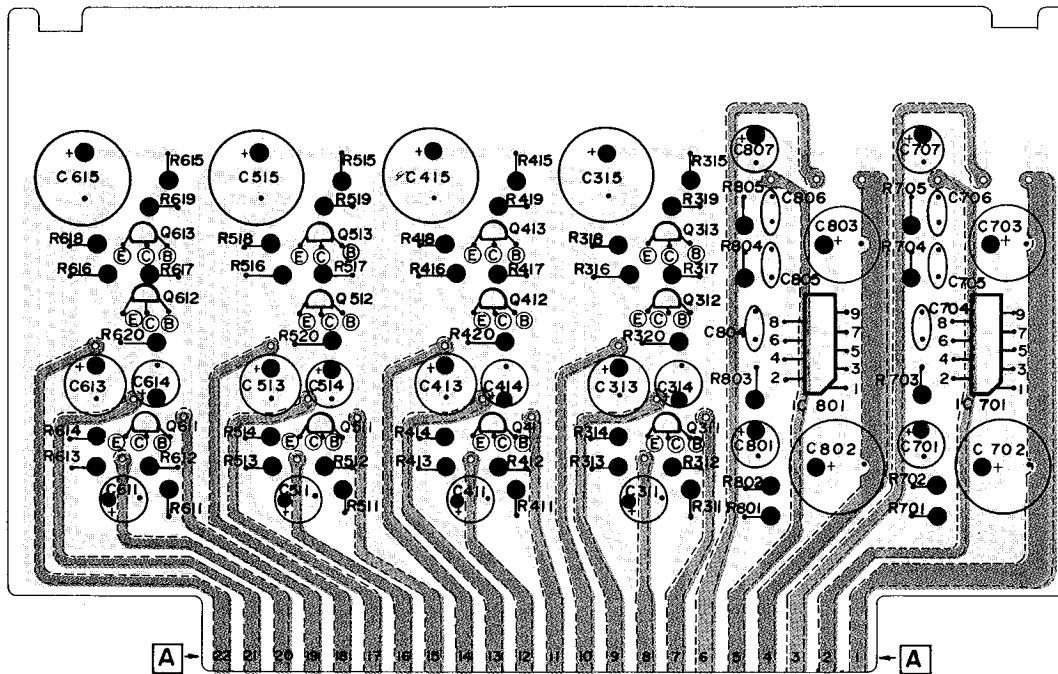
**DIAL LAMP BOARD — TOP**



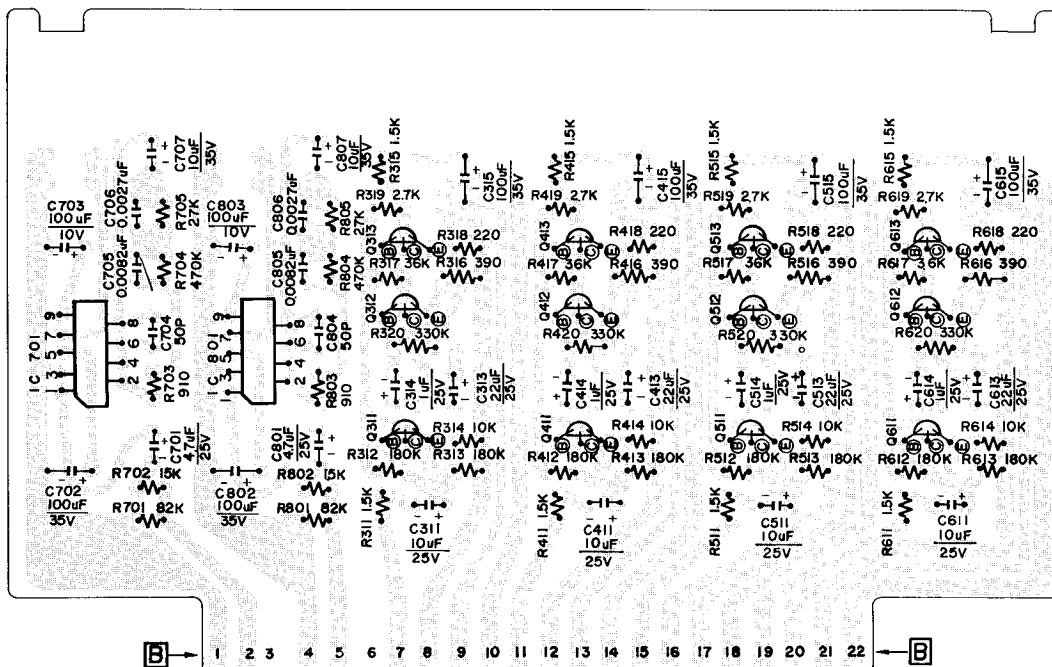
**DIAL LAMP BOARD — BOTTOM**



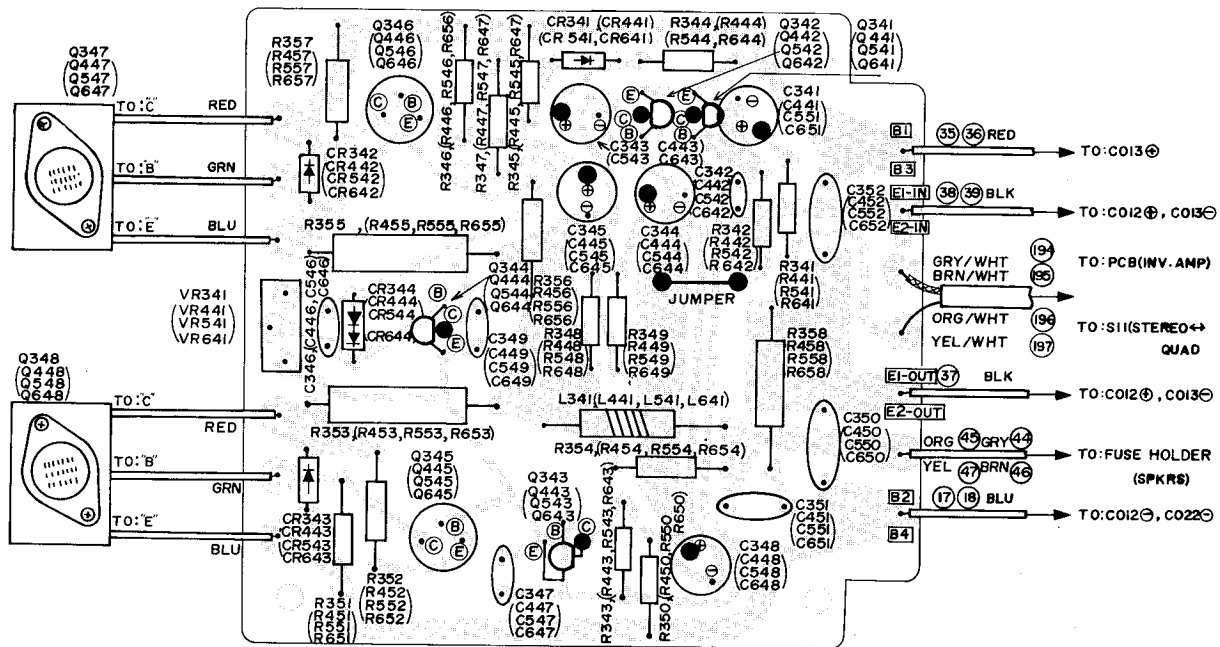
# PREAMP BOARD—TOP



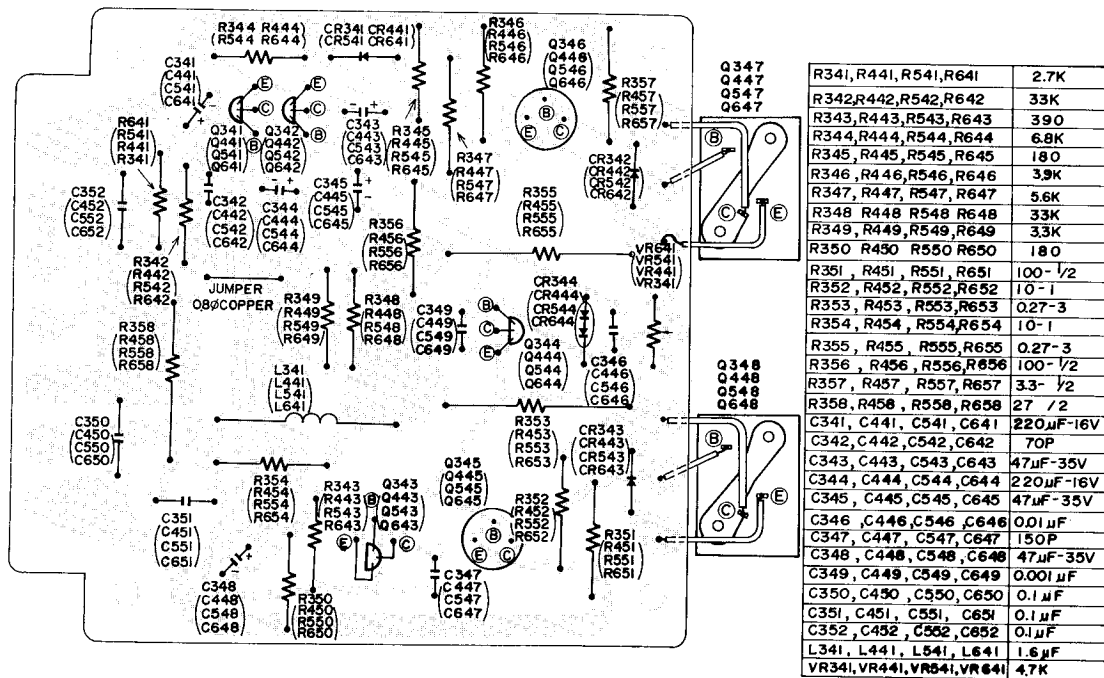
# PREAMP BOARD—BOTTOM



# POWER AMP BOARD — TOP

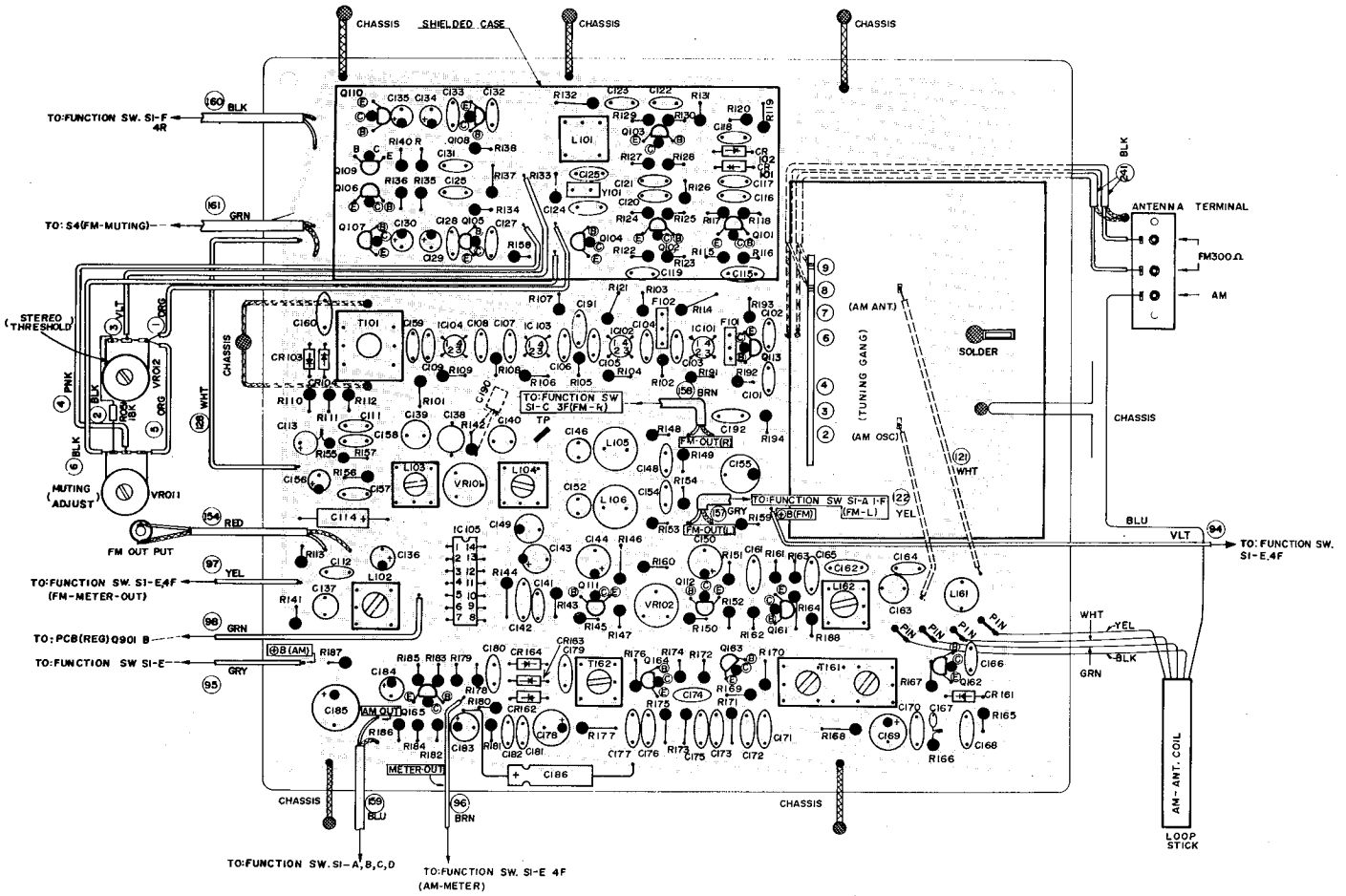


# POWER AMP BOARD — BOTTOM



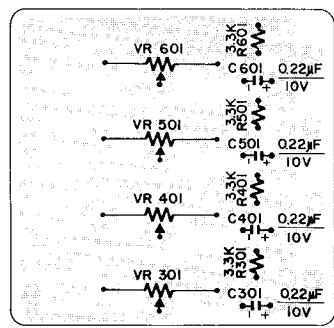
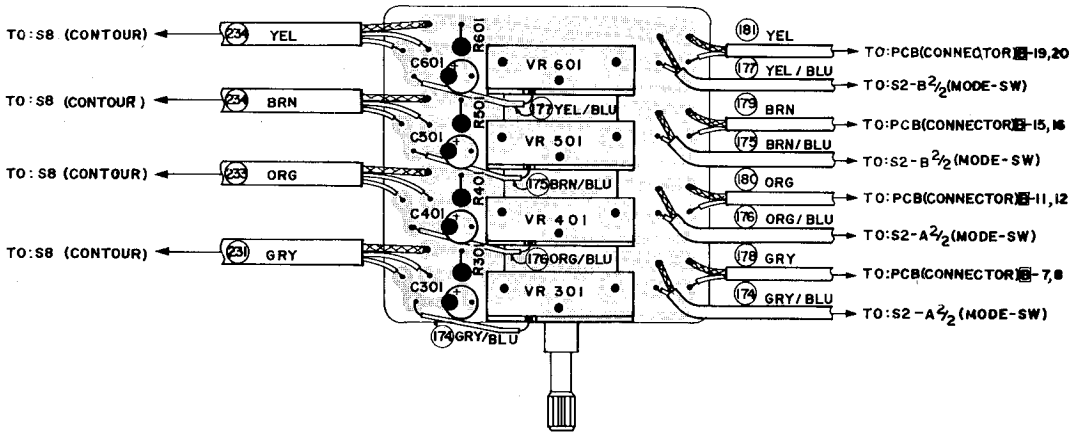
Q341-Q348	CR341-CR343	C341-C352	R341-R357	L341, VR341,	LF (LEFT FRONT)
Q441-Q448	CR441-CR443	C441-C452	R441-R457	L441, VR441,	LB (LEFT BACK)
Q541-Q548	CR541-CR543	C541-C552	R541-R557	L541, VR541,	RF (RIGHT FRONT)
Q641-Q648	CR641-CR643	C641-C652	R641-R657	L641, VR641,	RB (RIGHT BACK)

# AM-FM TUNER BOARD — TOP



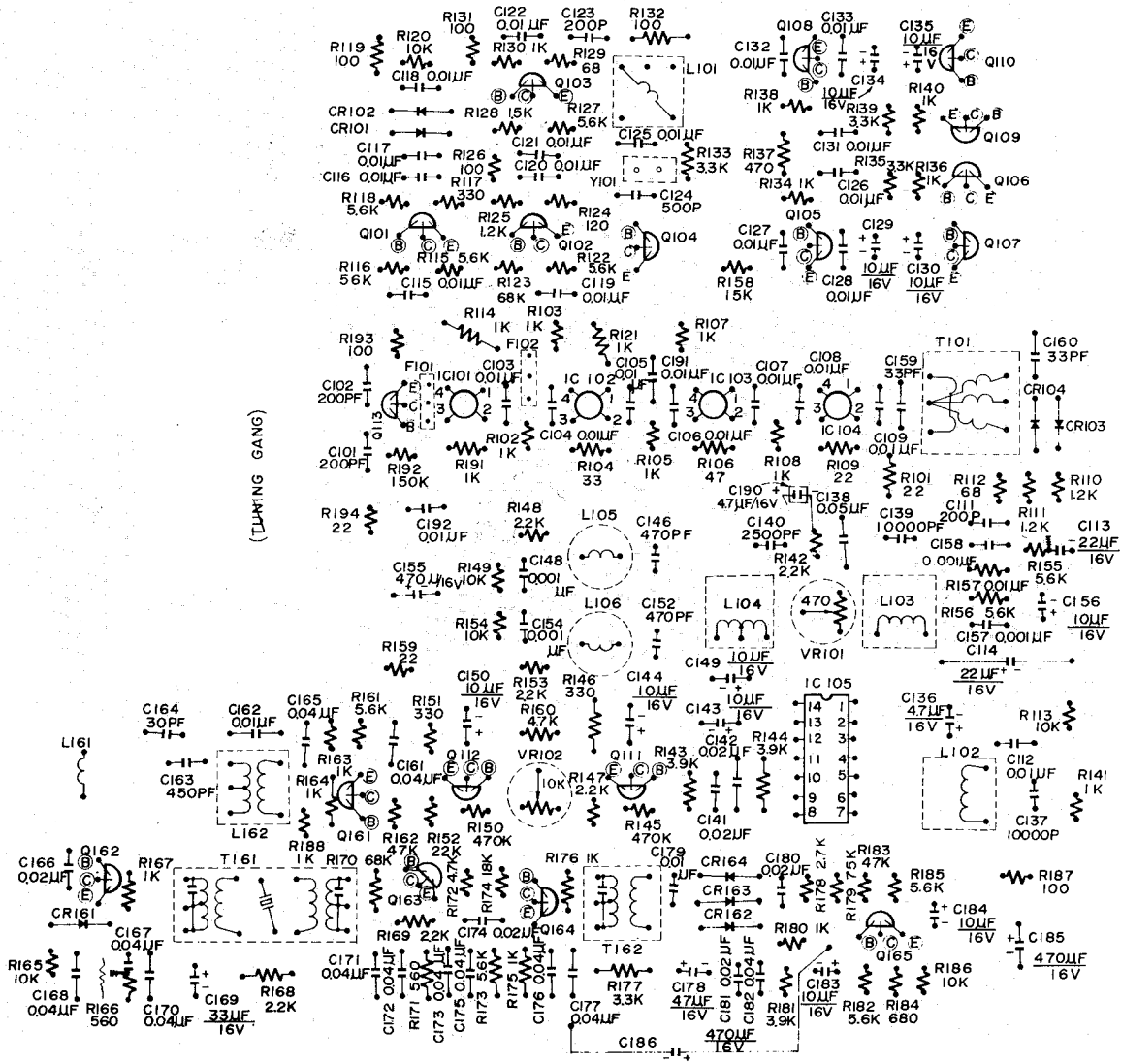
# VOLUME CONTROL BOARD — TOP

# VOLUME CONTROL BOARD — BOTTOM

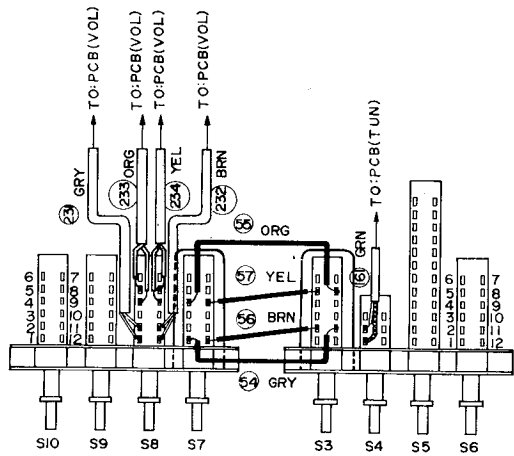




# AM-FM TUNER BOARD — BOTTOM



## SWITCH DIAGRAM

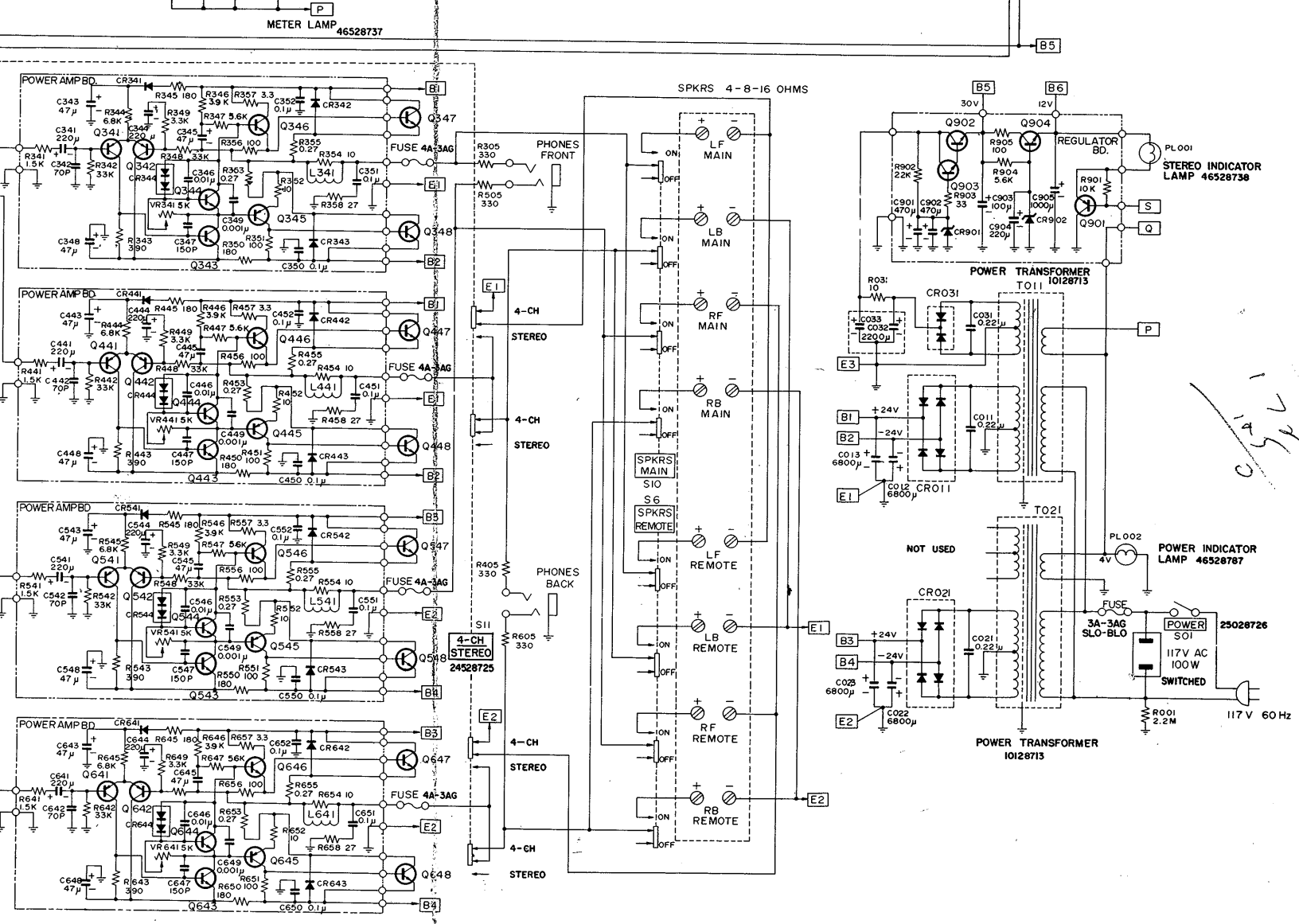
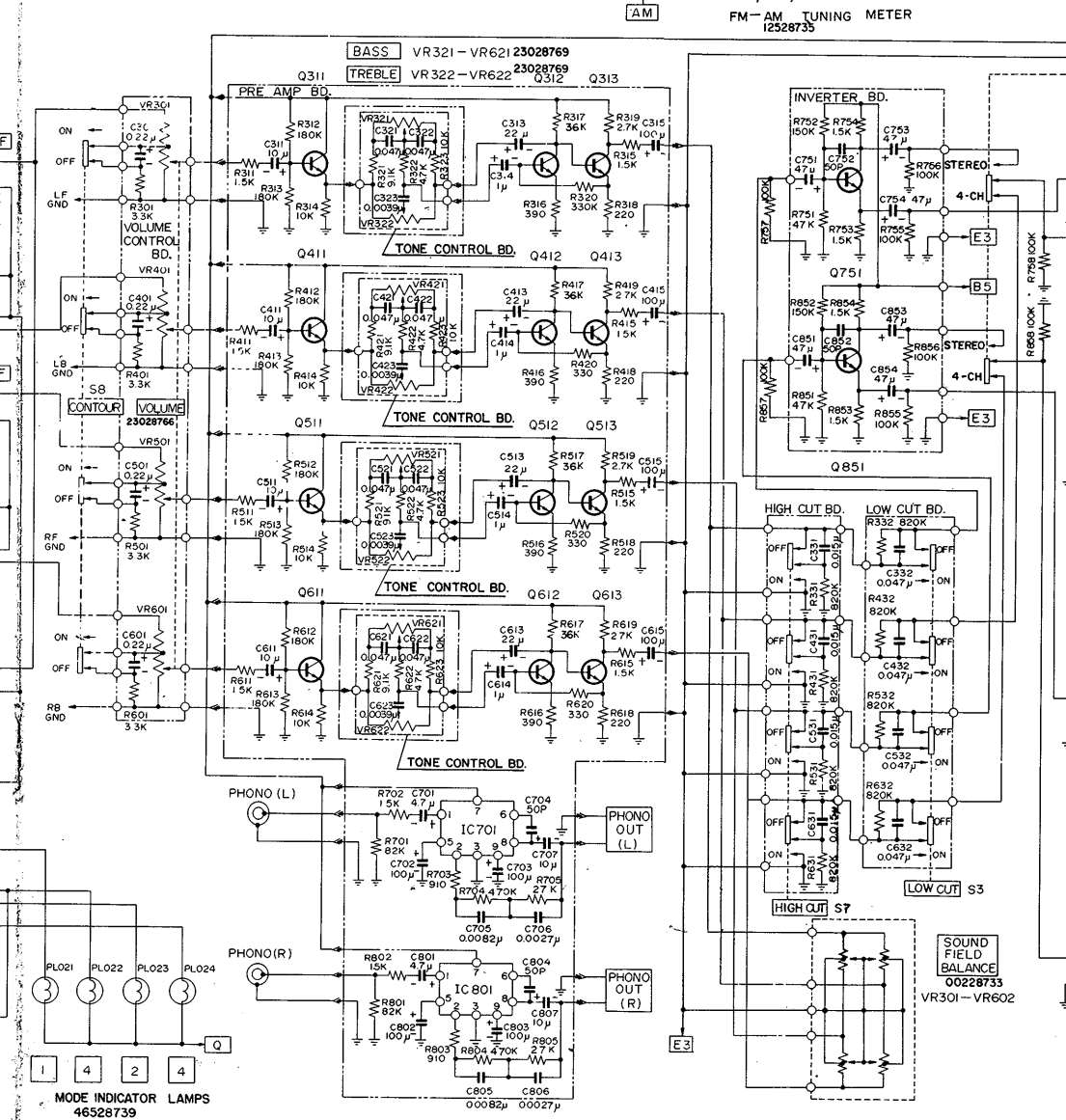
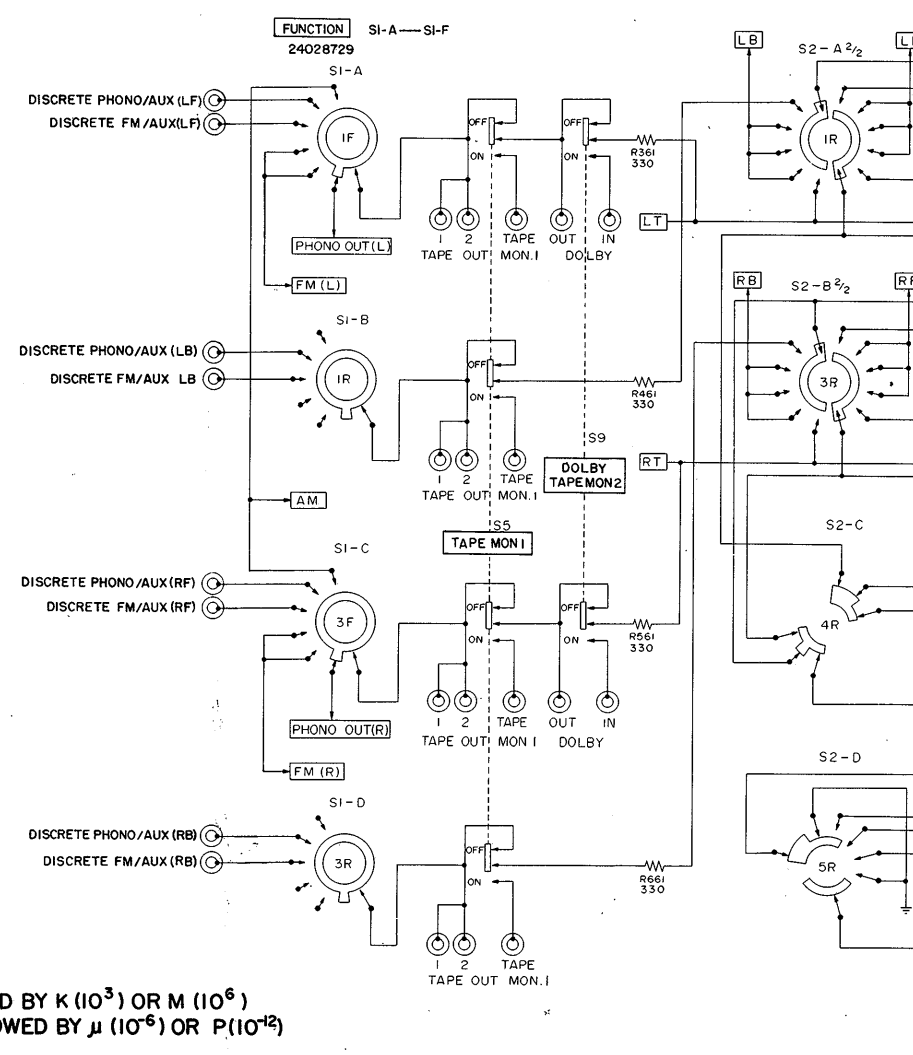
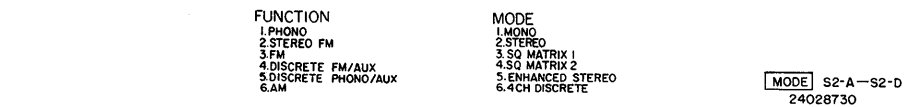
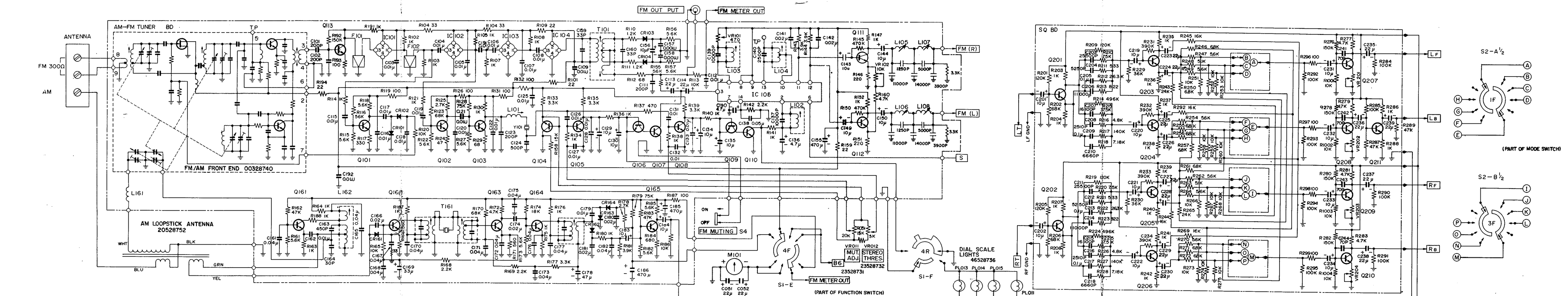


- |     |                          |
|-----|--------------------------|
| S3  | LOW CUT                  |
| S4  | FM MUTING                |
| S5  | TAPE MON.1               |
| S6  | SPKRS(REMOTE)            |
| S7  | HIGH CUT                 |
| S8  | CONTOUR                  |
| S9  | EXT DOLBY NR(TAPE MON,2) |
| S10 | SPKRS(MAIN)              |

Handwritten notes and markings:

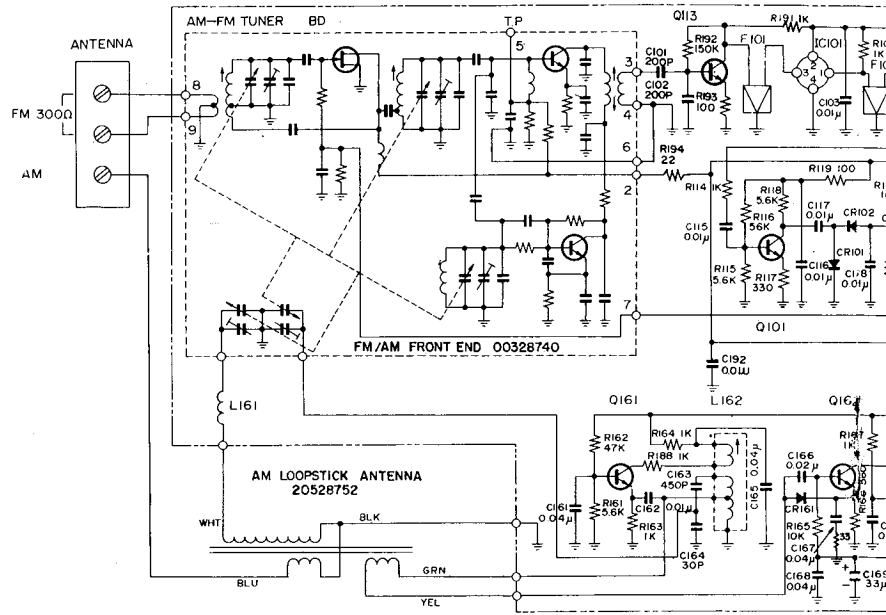
- 54
- 55
- 56
- 57
- 58
- 59
- 60
- 61
- 62
- 63
- 64
- 65
- 66
- 67
- 68
- 69
- 70
- 71
- 72
- 73
- 74
- 75
- 76
- 77
- 78
- 79
- 80
- 81
- 82
- 83
- 84
- 85
- 86
- 87
- 88
- 89
- 90
- 91
- 92
- 93
- 94
- 95
- 96
- 97
- 98
- 99
- 100

**SCHEMATIC DIAGRAM — MODEL 75 +**



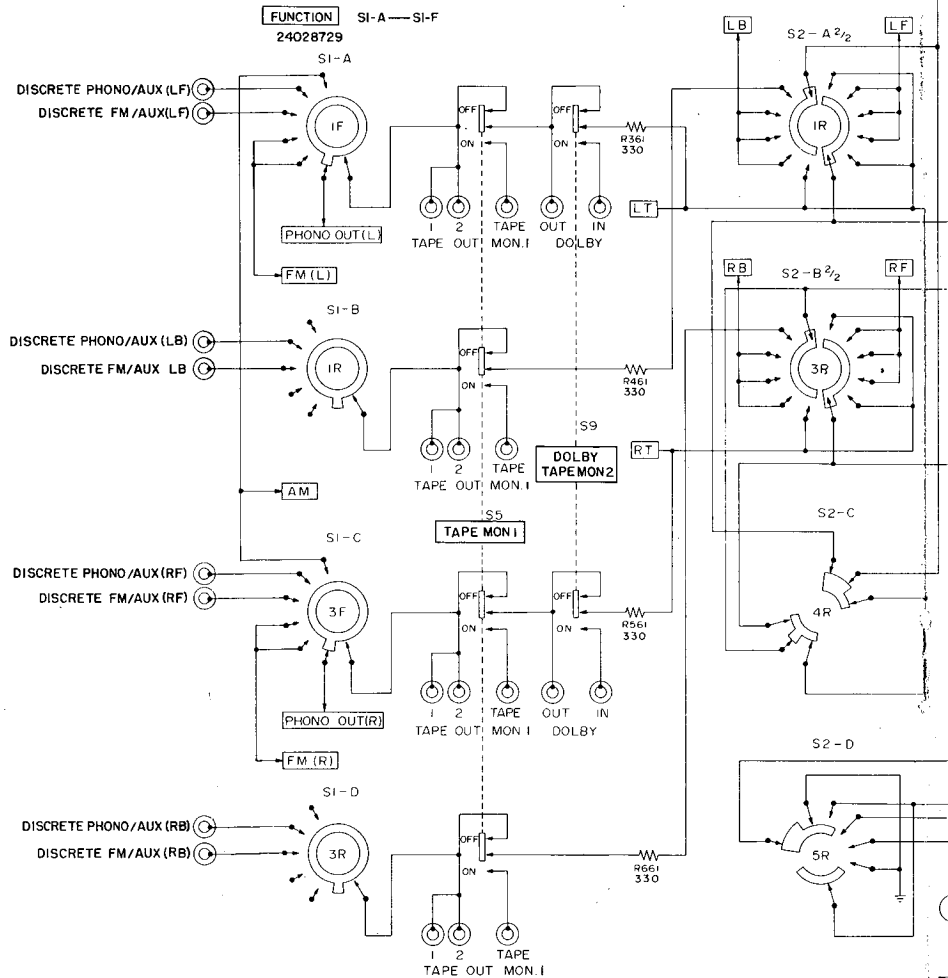
*Handwritten notes:*  
 3-5  
 1-2  
 4-5  
 6-7  
 8-9  
 10-11  
 12-13  
 14-15  
 16-17  
 18-19  
 20-21  
 22-23  
 24-25  
 26-27  
 28-29  
 30-31  
 32-33  
 34-35  
 36-37  
 38-39  
 40-41  
 42-43  
 44-45  
 46-47  
 48-49  
 50-51  
 52-53  
 54-55  
 56-57  
 58-59  
 60-61  
 62-63  
 64-65  
 66-67  
 68-69  
 70-71  
 72-73  
 74-75  
 76-77  
 78-79  
 80-81  
 82-83  
 84-85  
 86-87  
 88-89  
 90-91  
 92-93  
 94-95  
 96-97  
 98-99  
 100-101  
 102-103  
 104-105  
 106-107  
 108-109  
 110-111  
 112-113  
 114-115  
 116-117  
 118-119  
 120-121  
 122-123  
 124-125  
 126-127  
 128-129  
 130-131  
 132-133  
 134-135  
 136-137  
 138-139  
 140-141  
 142-143  
 144-145  
 146-147  
 148-149  
 150-151  
 152-153  
 154-155  
 156-157  
 158-159  
 160-161  
 162-163  
 164-165  
 166-167  
 168-169  
 170-171  
 172-173  
 174-175  
 176-177  
 178-179  
 180-181  
 182-183  
 184-185  
 186-187  
 188-189  
 190-191  
 192-193  
 194-195  
 196-197  
 198-199  
 200-201  
 202-203  
 204-205  
 206-207  
 208-209  
 210-211  
 212-213  
 214-215  
 216-217  
 218-219  
 220-221  
 222-223  
 224-225  
 226-227  
 228-229  
 230-231  
 232-233  
 234-235  
 236-237  
 238-239  
 240-241  
 242-243  
 244-245  
 246-247  
 248-249  
 250-251  
 252-253  
 254-255  
 256-257  
 258-259  
 260-261  
 262-263  
 264-265  
 266-267  
 268-269  
 270-271  
 272-273  
 274-275  
 276-277  
 278-279  
 280-281  
 282-283  
 284-285  
 286-287  
 288-289  
 290-291  
 292-293  
 294-295  
 296-297  
 298-299  
 300-301  
 302-303  
 304-305  
 306-307  
 308-309  
 310-311  
 312-313  
 314-315  
 316-317  
 318-319  
 320-321  
 322-323  
 324-325  
 326-327  
 328-329  
 330-331  
 332-333  
 334-335  
 336-337  
 338-339  
 340-341  
 342-343  
 344-345  
 346-347  
 348-349  
 350-351  
 352-353  
 354-355  
 356-357  
 358-359  
 360-361  
 362-363  
 364-365  
 366-367  
 368-369  
 370-371  
 372-373  
 374-375  
 376-377  
 378-379  
 380-381  
 382-383  
 384-385  
 386-387  
 388-389  
 390-391  
 392-393  
 394-395  
 396-397  
 398-399  
 400-401  
 402-403  
 404-405  
 406-407  
 408-409  
 410-411  
 412-413  
 414-415  
 416-417  
 418-419  
 420-421  
 422-423  
 424-425  
 426-427  
 428-429  
 430-431  
 432-433  
 434-435  
 436-437  
 438-439  
 440-441  
 442-443  
 444-445  
 446-447  
 448-449  
 450-451  
 452-453  
 454-455  
 456-457  
 458-459  
 460-461  
 462-463  
 464-465  
 466-467  
 468-469  
 470-471  
 472-473  
 474-475  
 476-477  
 478-479  
 480-481  
 482-483  
 484-485  
 486-487  
 488-489  
 490-491  
 492-493  
 494-495  
 496-497  
 498-499  
 500-501  
 502-503  
 504-505  
 506-507  
 508-509  
 510-511  
 512-513  
 514-515  
 516-517  
 518-519  
 520-521  
 522-523  
 524-525  
 526-527  
 528-529  
 530-531  
 532-533  
 534-535  
 536-537  
 538-539  
 540-541  
 542-543  
 544-545  
 546-547  
 548-549  
 550-551  
 552-553  
 554-555  
 556-557  
 558-559  
 560-561  
 562-563  
 564-565  
 566-567  
 568-569  
 570-571  
 572-573  
 574-575  
 576-577  
 578-579  
 580-581  
 582-583  
 584-585  
 586-587  
 588-589  
 590-591  
 592-593  
 594-595  
 596-597  
 598-599  
 600-601  
 602-603  
 604-605  
 606-607  
 608-609  
 610-611  
 612-613  
 614-615  
 616-617  
 618-619  
 620-621  
 622-623  
 624-625  
 626-627  
 628-629  
 630-631  
 632-633  
 634-635  
 636-637  
 638-639  
 640-641  
 642-643  
 644-645  
 646-647  
 648-649  
 650-651  
 652-653  
 654-655  
 656-657  
 658-659  
 660-661  
 662-663  
 664-665  
 666-667  
 668-669  
 670-671  
 672-673  
 674-675  
 676-677  
 678-679  
 680-681  
 682-683  
 684-685  
 686-687  
 688-689  
 690-691  
 692-693  
 694-695  
 696-697  
 698-699  
 700-701  
 702-703  
 704-705  
 706-707  
 708-709  
 710-711  
 712-713  
 714-715  
 716-717  
 718-719  
 720-721  
 722-723  
 724-725  
 726-727  
 728-729  
 730-731  
 732-733  
 734-735  
 736-737  
 738-739  
 740-741  
 742-743  
 744-745  
 746-747  
 748-749  
 750-751  
 752-753  
 754-755  
 756-757  
 758-759  
 760-761  
 762-763  
 764-765  
 766-767  
 768-769  
 770-771  
 772-773  
 774-775  
 776-777  
 778-779  
 780-781  
 782-783  
 784-785  
 786-787  
 788-789  
 790-791  
 792-793  
 794-795  
 796-797  
 798-799  
 800-801  
 802-803  
 804-805  
 806-807  
 808-809  
 810-811  
 812-813  
 814-815  
 816-817  
 818-819  
 820-821  
 822-823  
 824-825  
 826-827  
 828-829  
 830-831  
 832-833  
 834-835  
 836-837  
 838-839  
 840-841  
 842-843  
 844-845  
 846-847  
 848-849  
 850-851  
 852-853  
 854-855  
 856-857  
 858-859  
 860-861  
 862-863  
 864-865  
 866-867  
 868-869  
 870-871  
 872-873  
 874-875  
 876-877  
 878-879  
 880-881  
 882-883  
 884-885  
 886-887  
 888-889  
 890-891  
 892-893  
 894-895  
 896-897  
 898-899  
 900-901  
 902-903  
 904-905  
 906-907  
 908-909  
 910-911  
 912-913  
 914-915  
 916-917  
 918-919  
 920-921  
 922-923  
 924-925  
 926-927  
 928-929  
 930-931  
 932-933  
 934-935  
 936-937  
 938-939  
 940-941  
 942-943  
 944-945  
 946-947  
 948-949  
 950-951  
 952-953  
 954-955  
 956-957  
 958-959  
 960-961  
 962-963  
 964-965  
 966-967  
 968-969  
 970-971  
 972-973  
 974-975  
 976-977  
 978-979  
 980-981  
 982-983  
 984-985  
 986-987  
 988-989  
 990-991  
 992-993  
 994-995  
 996-997  
 998-999  
 1000-1001  
 1002-1003  
 1004-1005  
 1006-1007  
 1008-1009  
 1010-1011  
 1012-1013  
 1014-1015  
 1016-1017  
 1018-1019  
 1020-1021  
 1022-1023  
 1024-1025  
 1026-1027  
 1028-1029  
 1030-1031  
 1032-1033  
 1034-1035  
 1036-1037  
 1038-1039  
 1040-1041  
 1042-1043  
 1044-1045  
 1046-1047  
 1048-1049  
 1050-1051  
 1052-1053  
 1054-1055  
 1056-1057  
 1058-1059  
 1060-1061  
 1062-1063  
 1064-1065  
 1066-1067  
 1068-1069  
 1070-1071  
 1072-1073  
 1074-1075  
 1076-1077  
 1078-1079  
 1080-1081  
 1082-1083  
 1084-1085  
 1086-1087  
 1088-1089  
 1090-1091  
 1092-1093  
 1094-1095  
 1096-1097  
 1098-1099  
 1100-1101  
 1102-1103  
 1104-1105  
 1106-1107  
 1108-1109  
 1110-1111  
 1112-1113  
 1114-1115  
 1116-1117  
 1118-1119  
 1120-1121  
 1122-1123  
 1124-1125  
 1126-1127  
 1128-1129  
 1130-1131  
 1132-1133  
 1134-1135  
 1136-1137  
 1138-1139  
 1140-1141  
 1142-1143  
 1144-1145  
 1146-1147  
 1148-1149  
 1150-1151  
 1152-1153  
 1154-1155  
 1156-1157  
 1158-1159  
 1160-1161  
 1162-1163  
 1164-1165  
 1166-1167  
 1168-1169  
 1170-1171  
 1172-1173  
 1174-1175  
 1176-1177  
 1178-1179  
 1180-1181  
 1182-1183  
 1184-1185  
 1186-1187  
 1188-1189  
 1190-1191  
 1192-1193  
 1194-1195  
 1196-1197  
 1198-1199  
 1200-1201  
 1202-1203  
 1204-1205  
 1206-1207  
 1208-1209  
 1210-1211  
 1212-1213  
 1214-1215  
 1216-1217  
 1218-1219  
 1220-1221  
 1222-1223  
 1224-1225  
 1226-1227  
 1228-1229  
 1230-1231  
 1232-1233  
 1234-1235  
 1236-1237  
 1238-1239  
 1240-1241  
 1242-1243  
 1244-1245  
 1246-1247  
 1248-1249  
 1250-1251  
 1252-1253  
 1254-1255  
 1256-1257  
 1258-1259  
 1260-1261  
 1262-1263  
 1264-1265  
 1266-1267  
 1268-1269  
 1270-1271  
 1272-1273  
 1274-1275  
 1276-1277  
 1278-1279  
 1280-1281  
 1282-1283  
 1284-1285  
 1286-1287  
 1288-1289  
 1290-1291  
 1292-1293  
 1294-1295  
 1296-1297  
 1298-1299  
 1300-1301  
 1302-1303  
 1304-1305  
 1306-1307  
 1308-1309  
 1310-1311  
 1312-1313  
 1314-1315  
 1316-1317  
 1318-1319  
 1320-1321  
 1322-1323  
 1324-1325  
 1326-1327  
 1328-1329  
 1330-1331  
 1332-1333  
 1334-1335  
 1336-1337  
 1338-1339  
 1340-1341  
 1342-1343  
 1344-1345  
 1346-1347  
 1348-1349  
 1350-1351  
 1352-1353  
 1354-1355  
 1356-1357  
 1358-1359  
 1360-1361  
 1362-1363  
 1364-1365  
 1366-1367  
 1368-1369  
 1370-1371  
 1372-1373  
 1374-1375  
 1376-1377  
 1378-1379  
 1380-1381  
 1382-1383  
 1384-1385  
 1386-1387  
 1388-1389  
 1390-1391  
 1392-1393  
 1394-1395  
 1396-1397  
 1398-1399  
 1400-1401  
 1402-1403  
 1404-1405  
 1406-1407  
 1408-1409  
 1410-1411  
 1412-1413  
 1414-1415  
 1416-1417  
 1418-1419  
 1420-1421  
 1422-1423  
 1424-1425  
 1426-1427  
 1428-1429  
 1430-1431  
 1432-1433  
 1434-1435  
 1436-1437  
 1438-1439  
 1440-1441  
 1442-1443  
 1444-1445  
 1446-1447  
 1448-1449  
 1450-1451  
 1452-1453  
 1454-1455  
 1456-1457  
 1458-1459  
 1460-1461  
 1462-1463  
 1464-1465  
 1466-1467  
 1468-1469  
 1470-1471  
 1472-1473  
 1474-1475  
 1476-1477  
 1478-1479  
 1480-1481  
 1482-1483  
 1484-1485  
 1486-1487  
 1488-1489  
 1490-1491  
 1492-1493  
 1494-1495  
 1496-1497  
 1498-1499  
 1500-1501  
 1502-1503  
 1504-1505  
 1506-1507  
 1508-1509  
 1510-1511  
 1512-1513  
 1514-1515  
 1516-1517  
 1518-1519  
 1520-1521  
 1522-1523  
 1524-1525  
 1526-1527  
 1528-1529  
 1530-1531  
 1532-1533  
 1534-1535  
 1536-1537  
 1538-1539  
 1540-1541  
 1542-1543  
 1544-1545  
 1546-1547  
 1548-1549  
 1550-1551  
 1552-1553  
 1554-1555  
 1556-1557  
 1558-1559  
 1560-1561  
 1562-1563  
 1564-1565  
 1566-1567  
 1568-1569  
 1570-1571  
 1572-1573  
 1574-1575  
 1576-1577  
 1578-1579  
 1580-1581  
 1582-1583  
 1584-1585  
 1586-1587  
 1588-1589  
 1590-1591  
 1592-1593  
 1594-1595  
 1596-1597  
 1598-1599  
 1600-1601  
 1602-1603  
 1604-1605  
 1606-1607  
 1608-1609  
 1610-1611  
 1612-1613  
 1614-1615  
 1616-1617  
 1618-1619  
 1620-1621  
 1622-1623  
 1624-1625  
 1626-1627  
 1628-1629  
 1630-1631  
 1632-1633  
 1634-1635  
 1636-1637  
 1638-1639  
 1640-1641  
 1642-1643  
 1644-1645  
 1646-1647  
 1648-1649  
 1650-1651  
 1652-1653  
 1654-1655  
 1656-1657  
 1658-1659  
 1660-1661  
 1662-1663  
 1664-1665  
 1666-1667  
 1668-1669  
 1670-1671  
 1672-1673  
 1674-1675  
 1676-1677  
 1678-1679  
 1680-1681  
 1682-1683  
 1684-1685  
 1686-1687  
 1688-1689  
 1690-1691  
 1692-1693  
 1694-1695  
 1696-1697  
 1698-1699  
 1700-1701  
 1702-1703  
 1704-1705  
 1706-1707  
 1708-1709  
 1710-1711  
 1712-1713  
 1714-1715  
 1716-1717  
 1718-1719  
 1720-1721  
 1722-1723  
 1724-1725  
 1726-1727  
 1728-1729  
 1730-1731  
 1732-1733  
 1734-1735  
 1736-1737  
 1738-1739  
 1740-1741  
 1742-1743  
 1744-1745  
 1746-1747  
 1748-1749  
 1750-1751  
 1752-1753  
 1754-1755  
 1756-1757  
 1758-1759  
 1760-1761  
 1762-1763  
 1764-1765  
 1766-1767  
 1768-1769  
 1770-1771  
 1772-1773  
 1774-1775

# SCHEMATIC DIAGRAM — MODEL 75 +



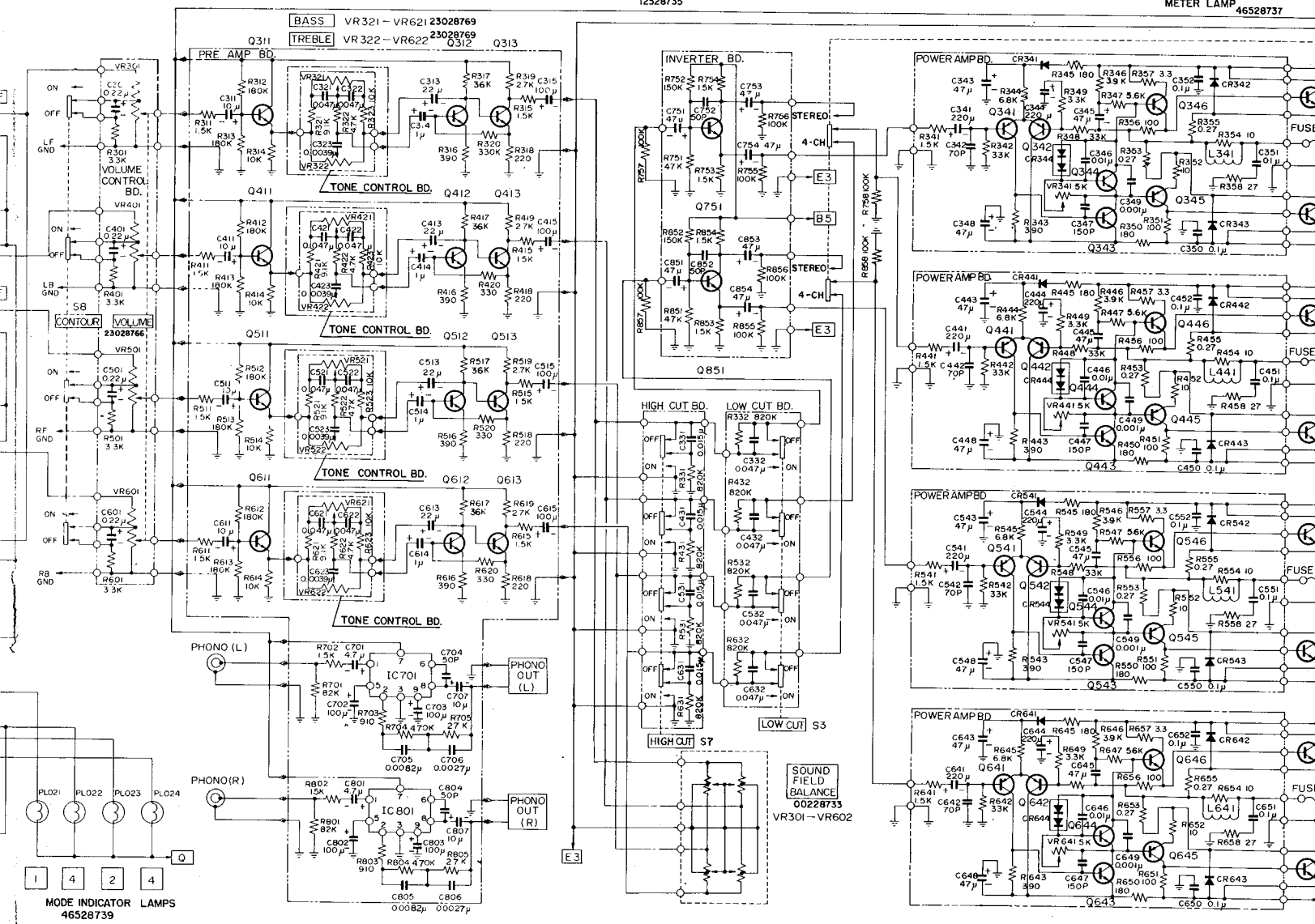
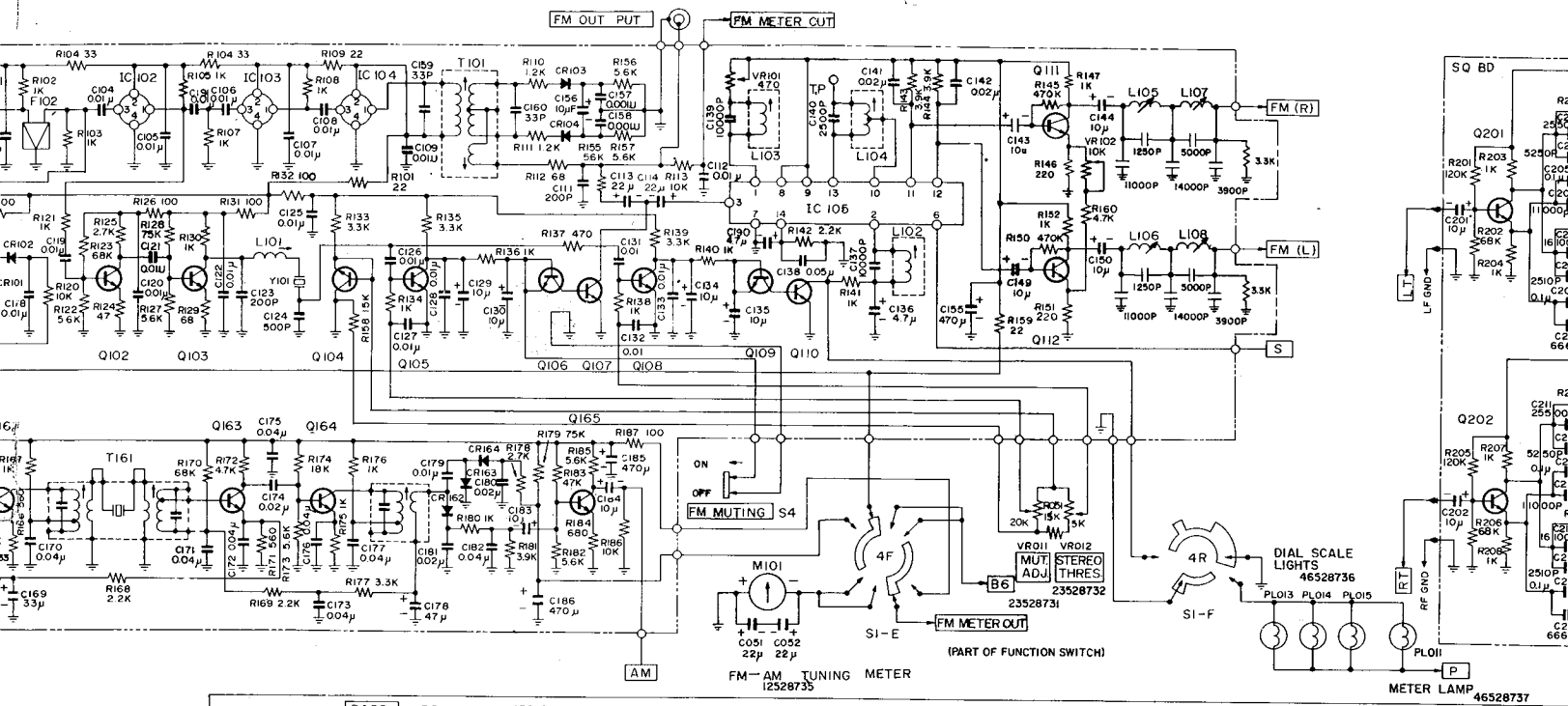
- |                       |                    |
|-----------------------|--------------------|
| <b>FUNCTION</b>       | <b>MODE</b>        |
| 1. PHONO              | 1. MONO            |
| 2. STEREO FM          | 2. STEREO          |
| 3. FM                 | 3. SQ MATRIX 1     |
| 4. DISCRETE FM/AUX    | 4. SQ MATRIX 2     |
| 5. DISCRETE PHONO/AUX | 5. ENHANCED STEREO |
| 6. AM                 | 6. 4CH DISCRETE    |

MODE S2-A-S2-D  
24028730



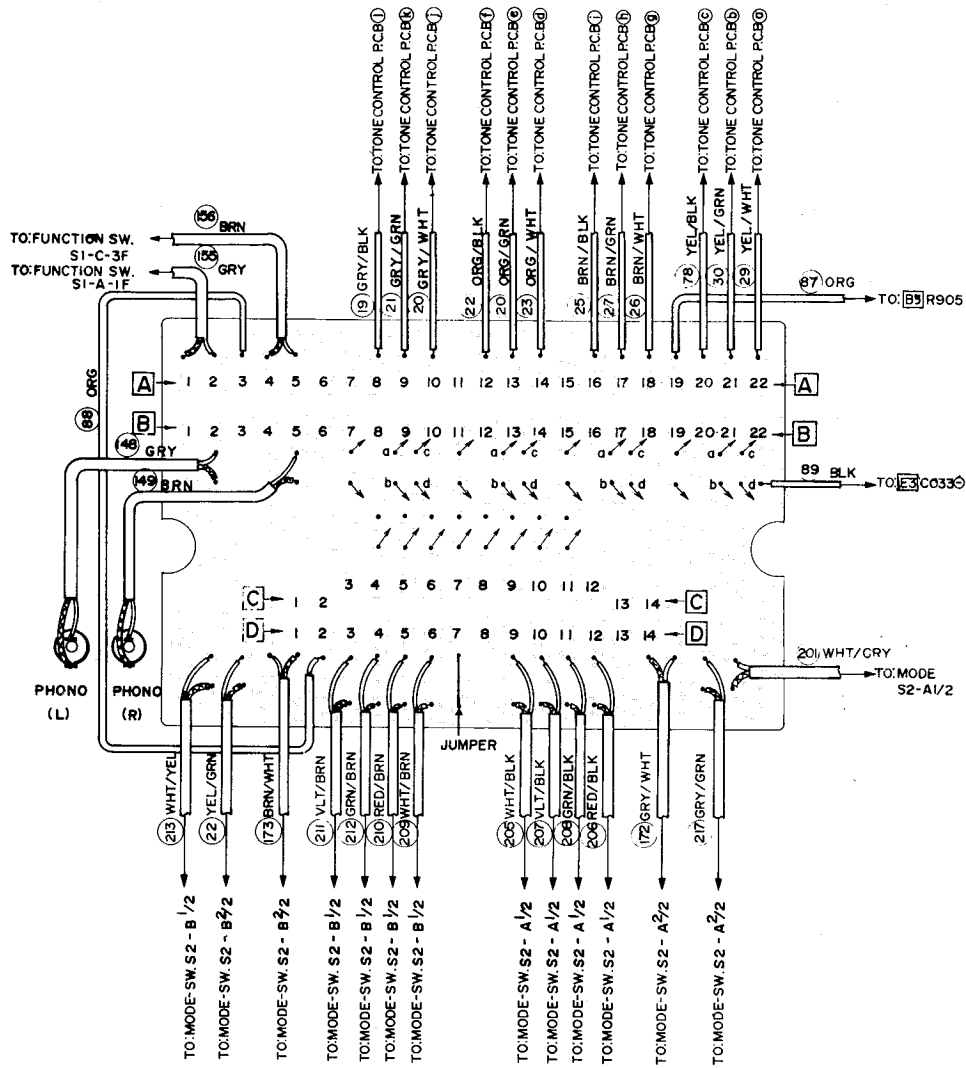
## NOTES

1. ALL RESISTORS IN OHMS UNLESS FOLLOWED BY K ( $10^3$ ) OR M ( $10^6$ )
2. ALL CAPACITORS IN FARADS UNLESS FOLLOWED BY  $\mu$  ( $10^{-6}$ ) OR P ( $10^{-12}$ )
3. ALL VOLTAGES TAKEN WITH "0" SIGNAL





# CONNECTOR BOARD

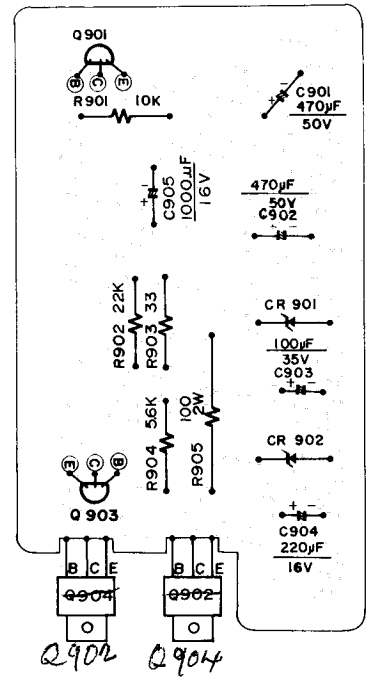
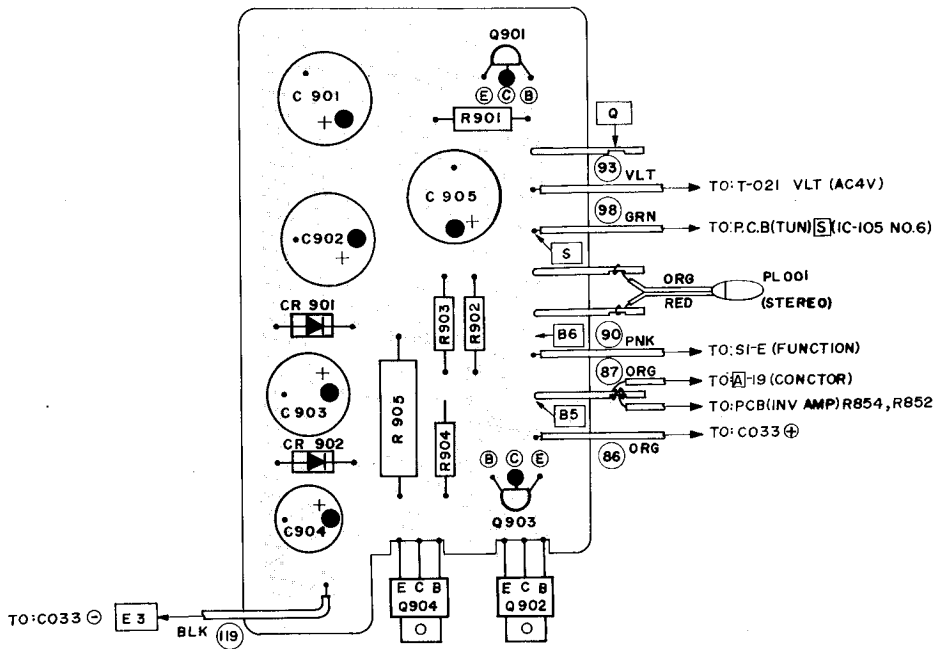


FROM	WIRE COLOR	TO
CONNECTOR-P.C.B C 4 / GND	(215) VLT / YEL	S2-B 1/2 (MODE-SW)
" " C 5 / GND	(216) GRN / YEL	S2-B 1/2 ( " " )
" " C 6 / GND	(214) RED / YEL	S2-B 1/2 ( " " )
" " C 7 / GND	(218) BRN / GRN	S2-B 2/2 ( " " )
" " C 8 / GND	(218) ORG / GRN	S2-B 2/2 ( " " )
" " C 9 / GND	(20) VLT / GRN	S2-B 1/2 ( " " )
" " C 10 / GND	(20) GRN / GRN	S2-B 1/2 ( " " )
" " C 11 / GND	(20) RED / GRN	S2-B 2/2 ( " " )
" " B 7/8 GND	(178) GRY	PCB(VOLUME)
" " B 9a / 10b	(182) GRY / VLT	SOUND FILD BALANCE
" " B 9c / 10d	(184) GRY / BLK	S7(HIGH CUT)
" " B 11/2 GND	(184) ORG	PCB(VOLUME)
" " B 13a / 14b	(184) ORG / VLT	SOUND FILD BALANCE
" " B 13c / 14d	(184) ORG / BLK	S7(HIGH CUT)
" " B 15/16 GND	(178) BRN	PCB(VOLUME)
" " B 17a / 18b	(183) BRN / VLT	SOUND FILD BALANCE
" " B 17c / 18d	(187) BRN / BLK	S7(HIGH CUT)
" " B 19/20 GND	(181) YEL	PCB(VOLUME)
" " B 21a / 22b	(182) YEL / VLT	SOUND FILD BALANCE
" " B 21c / 22d	(184) YEL / BLK	S7(HIGH CUT)

FROM	TO
C 4 / D 4 (GND)	SQ-P.C.B - C 10 - 14 (GND)
C 1 / D 1 (GND)	" - C 10 - 11 (GND)
C 3 / GND	" - C 13 (GND)
C 6 / GND	" - C 8 (GND)
C 7 / GND	" - C 7 (GND)
C 2 / GND	" - C 2 (GND)

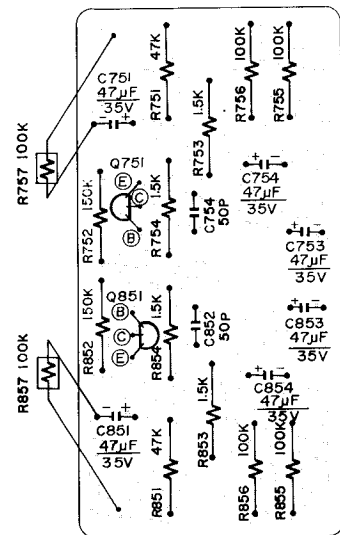
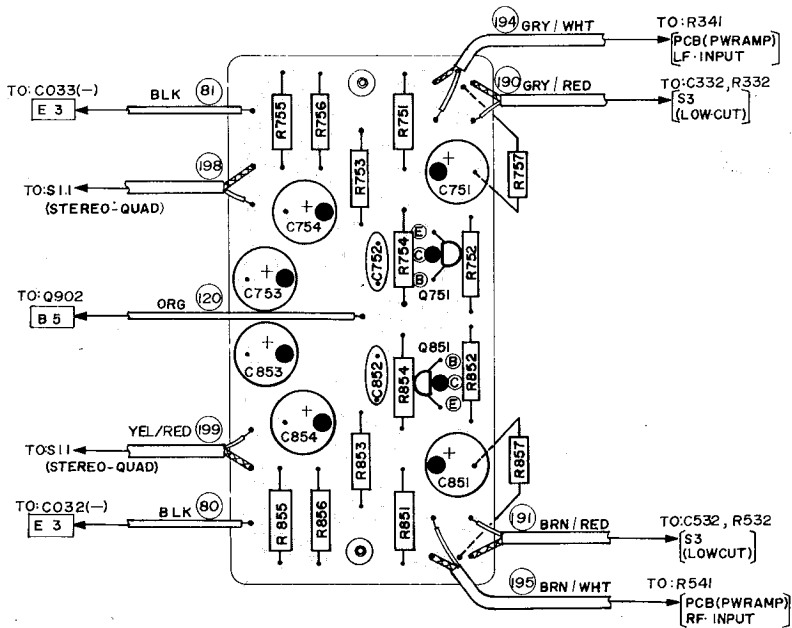
REGULATOR BOARD — TOP

REGULATOR BOARD — BOTTOM



INVERTER BOARD — TOP

INVERTER BOARD — BOTTOM

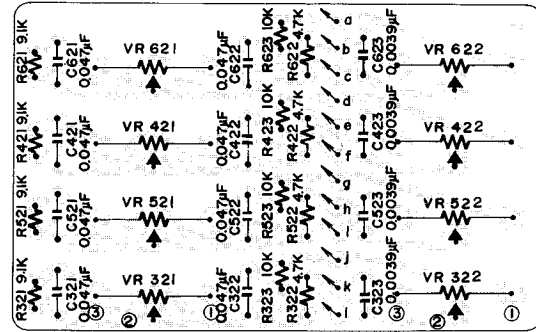
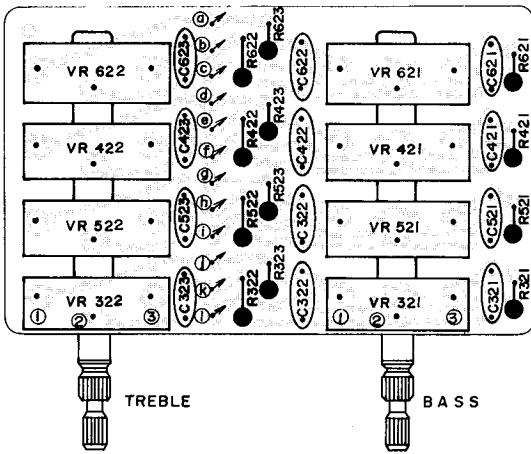






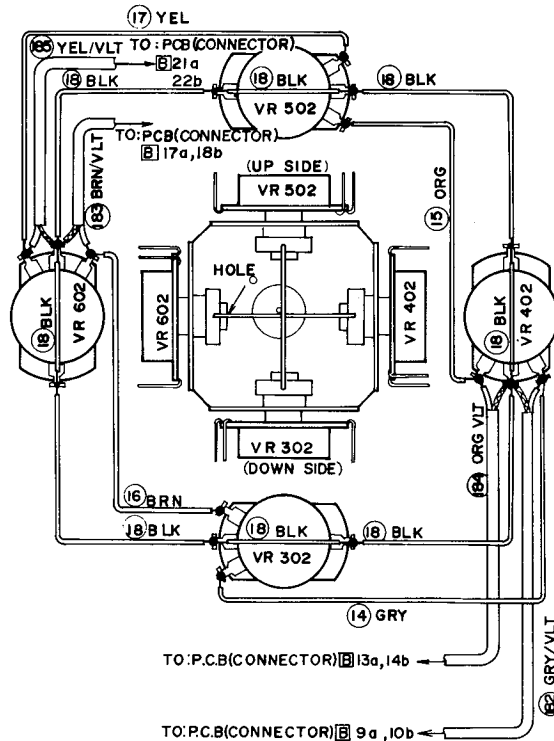
# TONE CONTROL BOARD — TOP

# TONE CONTROL BOARD — BOTTOM

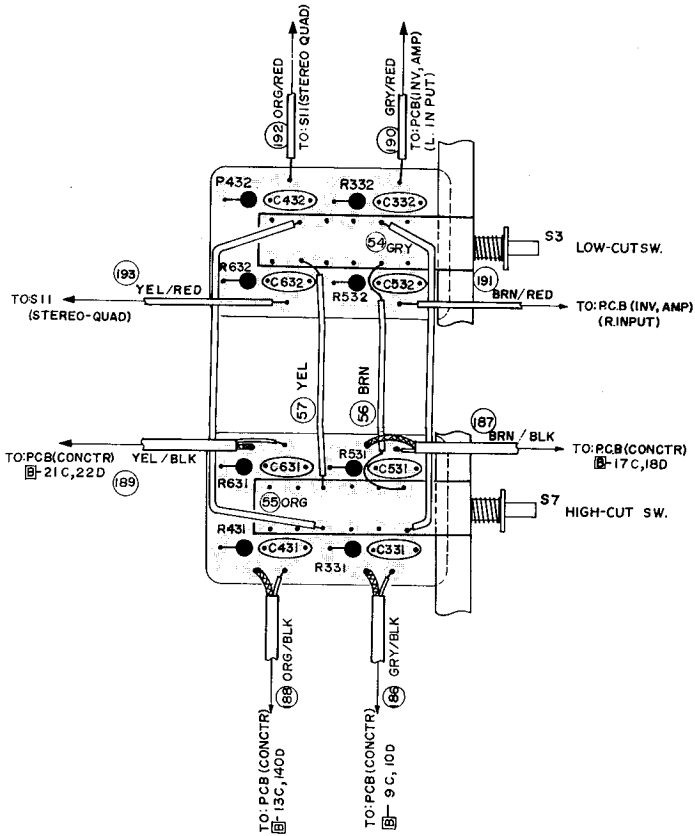


FROM	WIRE NO., COLOR	TO
TONE CONTROL PCB	① YEL / WHT	PCB(CONCTR) A-22
"	② YEL / GRN	" A-21
"	③ YEL / BLK	" A-20
"	④ ORG / WHT	" A-14
"	⑤ ORG / GRN	" A-13
"	⑥ ORG / BLK	" A-12
"	⑦ BRN / WHT	" A-18
"	⑧ BRN / GRN	" A-17
"	⑨ BRN / BLK	" A-16
"	⑩ GRY / WHT	" A-10
"	⑪ GRY / GRN	" A-9
"	⑫ GRY / BLK	" A-8

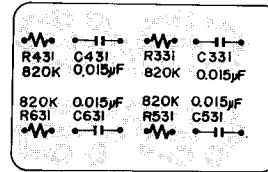
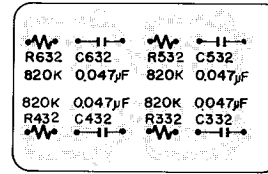
# SOUND FIELD BALANCE



# LOW CUT BOARD/HIGH CUT BOARD—TOP

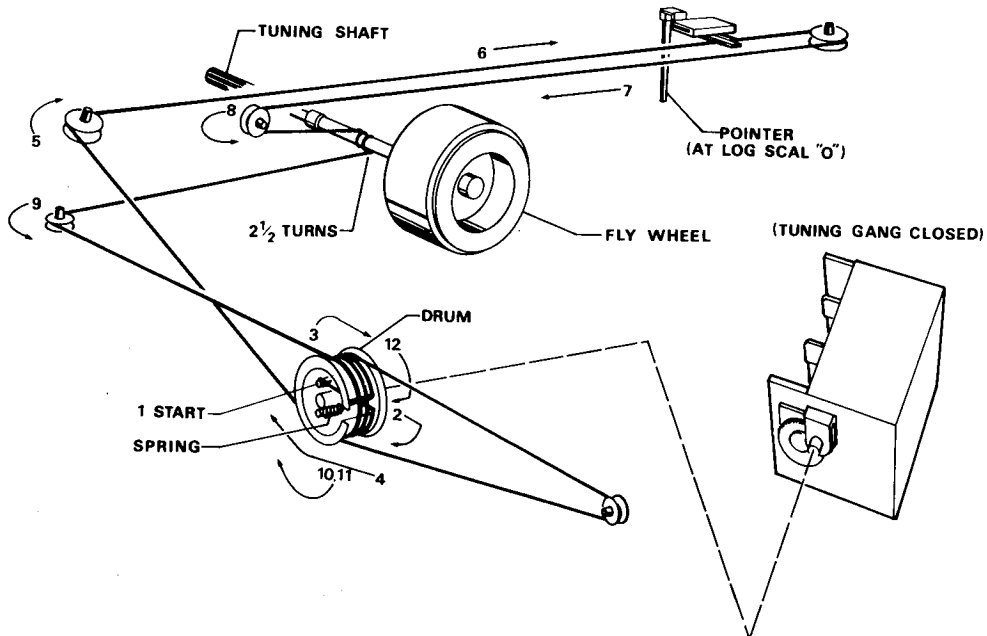


# LOW CUT BOARD — BOTTOM

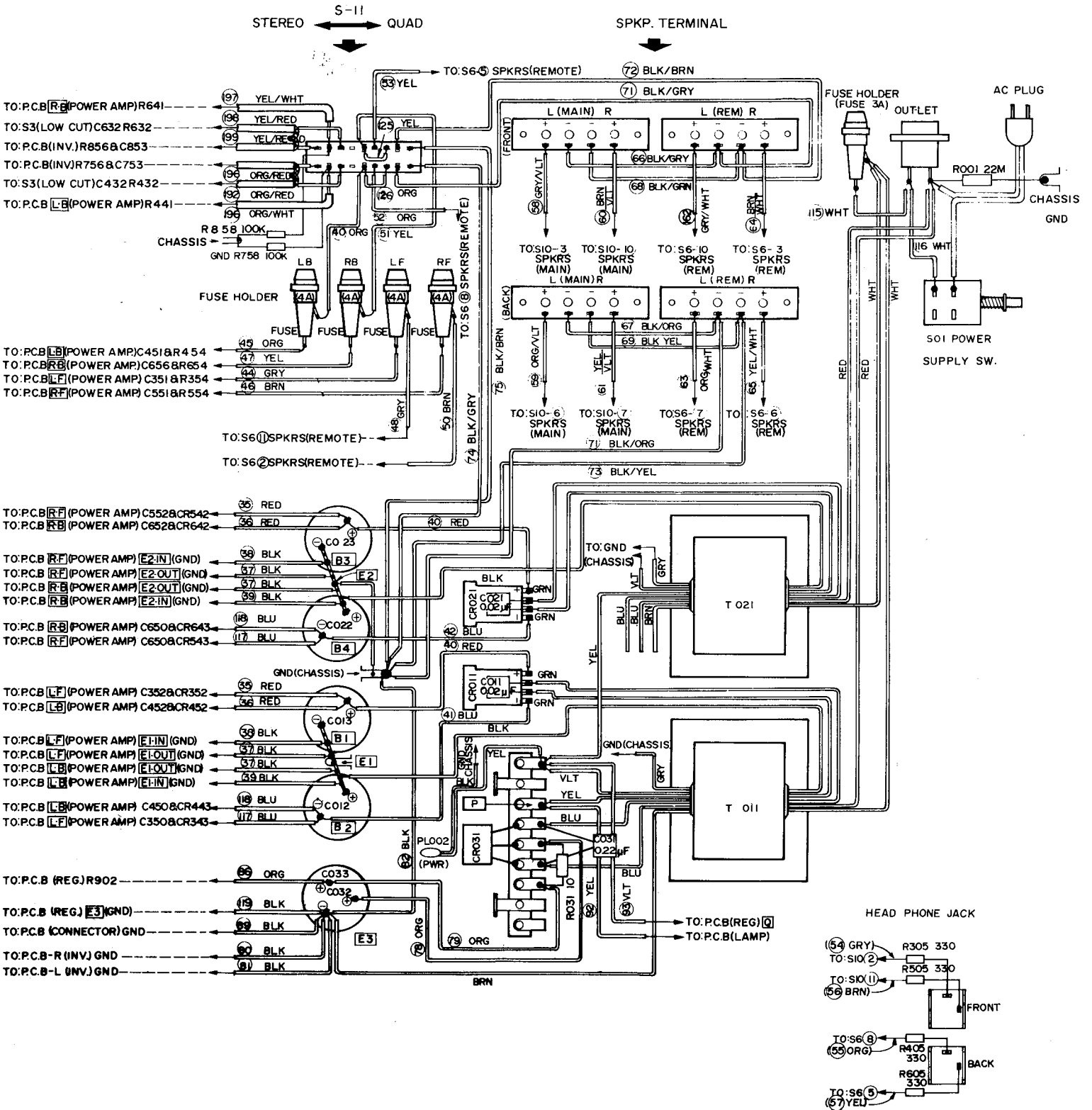


# HIGH CUT BOARD — BOTTOM

# STRINGING DIAGRAM

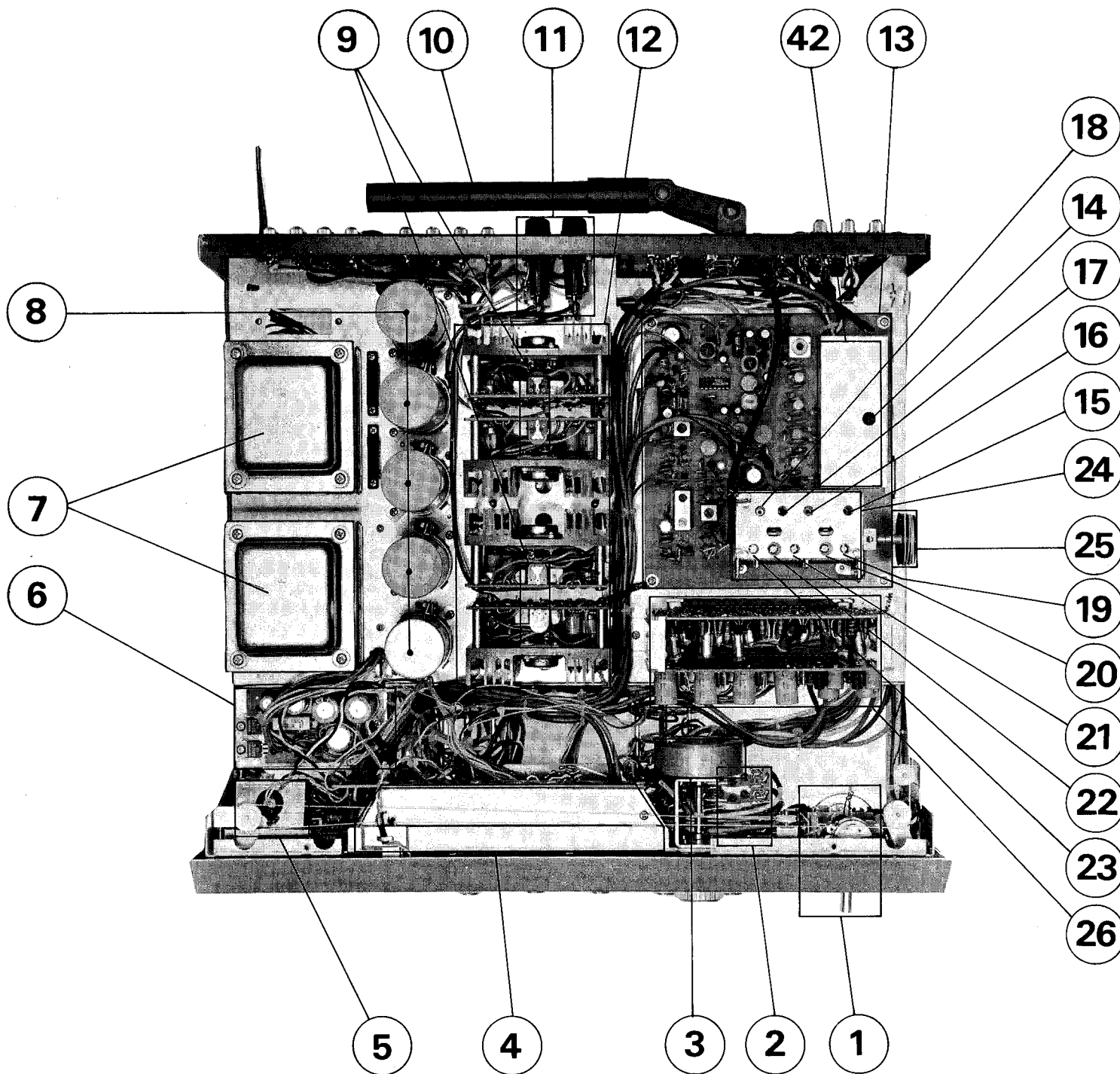


# WIRING DIAGRAM (A)





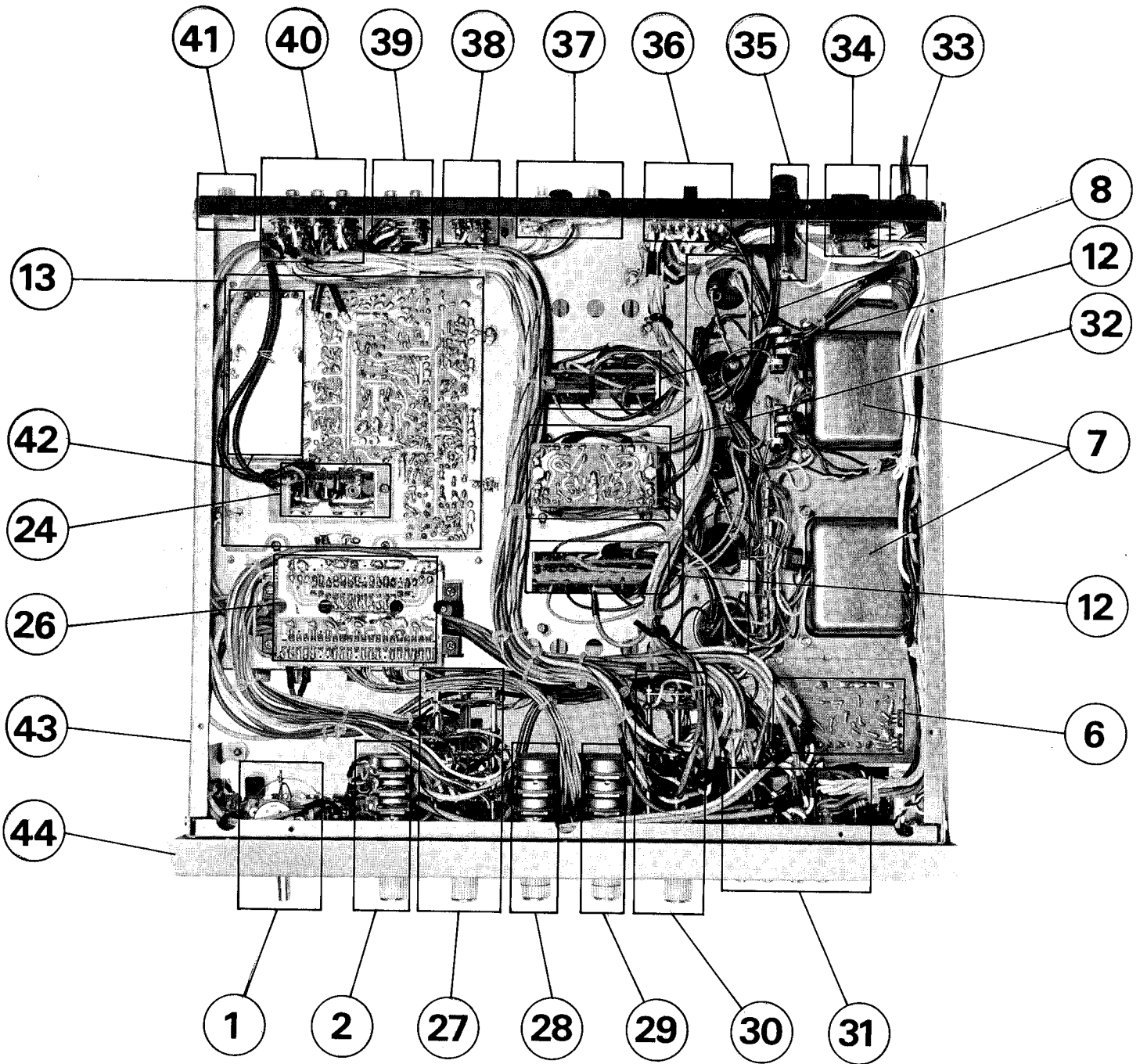
TOP VIEW



- ① JOY STICK (SOUND FIELD BALANCE)
- ② VOLUME CONTROL BD.
- ③ FLY WHEEL
- ④ DIAL LAMP HOUSE
- ⑤ METER LAMP
- ⑥ REGULATOR BD.
- ⑦ POWER TRANSFORMER
- ⑧ RIPPLE FILTER
- ⑨ IDLING ADJ. (POWER AMP.)
- ⑩ AM LOOP STICK ANTENNA
- ⑪ FUSE HOLDER (SPEAKER)
- ⑫ POWER AMP. UNIT
- ⑬ TUNER BD.

- ⑭ MUTING COIL ADJ.
- ⑮ LA FM ANTENNA COIL
- ⑯ LR FM RF COIL
- ⑰ FM IFT
- ⑱ LO FM OSC.
- ⑲ TCA FM ANT. TRIMMER
- ⑳ AM ANT. TRIM.
- ㉑ TCR FM RF TRIM.
- ㉒ AM OSC. TRIM.
- ㉓ TCO FM OSC.
- ㉔ AM-FM FRONT END
- ㉕ DIAL DRUM
- ㉖ SQ AND EQ./TONE UNIT

**BOTTOM VIEW**



- |    |                       |    |                            |
|----|-----------------------|----|----------------------------|
| ②7 | MODE SWITCH           | ③6 | STEREO—4-CH. SWITCH        |
| ②8 | TONE CONTROL (TREBLE) | ③7 | STEREO THRESHOLD } ADJ.    |
| ②9 | " (BASS)              |    | MUTING                     |
| ③0 | FUNCTION SWITCH       | ③8 | JACK (DOLBY AND FM OUTPUT) |
| ③1 | PUSH SWITCH           | ③9 | " (TAPE OUTPUT)            |
| ③2 | INVERTER AMP.         | ④0 | " (INPUT)                  |
| ③3 | POWER CORD            | ④1 | GROUND TERMINAL            |
| ③4 | AC OUTLET             | ④2 | SHIELD CASE (MUTING)       |
| ③5 | FUSE HOLDER (AC LINE) | ④3 | CHASSIS                    |
|    |                       | ④4 | ESCUTCHEON                 |

# REPLACEMENT PARTS LIST

H-K PART NO.	REF. NO.	DESCRIPTION	H-K PART NO.	REF. NO.	DESCRIPTION
<b>TRANSFORMERS &amp; COILS</b>			<b>MISCELLANEOUS</b>		
10128713	T011,021	Power Transformer	63028686		Escutcheon
12028753	L162	Coil, MW Osc.	63628687		Top Cover
12028754	T161	IFT, 455	60128688		Bottom Plate
12028755	T162	IFT	61028689		Dial Scale (Plexiglas)
12028756	T101	IFT, 10.7	61628690		Indicator (Stereo)
12028757	L102,103	Coil, MPX, 19	61628691		Indicator (Mode)
12028758	L104	Coil, MPX, 38	61628692		Clear Plate
12028759	L105,106,107,108	Inductor	63028693		Escutcheon Insert
12028760	F101,102	Ceramic Filter, 10.7	63028694		Joystick Insert
12028761	Y101	Ceramic Filter	62028695		Plastic Feet
12028762	L161	Coil, VHF	61628696		Bushing for Mode
12028763	L101	Inductor			Indicator Lamp
12028764	L341,441,541,641	Inductor	60128697		Reflector for Stereo Lamp
<b>DIODES</b>			63228698		Knob (Volume)
41028714	CR011,021	Rectifier	63228699		Knob (Tuning)
41028715	CR031	Diode DS131A(5B2)	63228700		Pushbutton
41628749	CR161,162	Diode IS188AM	63228701		Knob (Tone) Front
41628750	CR101,102	Diode IS188FM	63228702		Knob (Tone) Back
41628751	CR103,104	Diode TD73	00228703		Pushbutton Ass'y
41628778	CR341,342,343,441, 442,443,541,542, 543,641,642,643	Diode 10D1	63228704		Knob (Joystick)
42028785	CR902	Zener Diode RD13A M	63028705		Dress Ring for Joystick
42028786	CR901	Zener Diode RD35A L	61628706		Holder for Stereo Indicator
<b>CONTROLS</b>			60128707		Lamp Housing Cover (Dial)
23528731	VR011	Muting Adj.	00228708		Dial Pointer Ass'y
23528732	VR012	Stereo Thres.	00228709		Tuning Shaft Ass'y
00228733	VR302-602	Joystick Control Assy.	85028710		Felt for Knob
23028766	VR301,401,501,601	Volume Control	85028711		Felt for Knob
23028769	VR321,421,521,621	Bass Control	00228712		Antenna Holder Ass'y
23028769	VR322,422,522,622	Treble Control	65428716		Fuse Holder
<b>TRANSISTORS &amp; IC'S</b>			45028717		Fuse 3AG-4A
43128741	IC 101-104	IC LA1221	45028718		Fuse 3AG-3A Slo-Blow
43126551	IC 105	IC MC1307	65428719		AC Outlet
43128767	IC 701,801	IC LD3130	53028720		Power Cord
43025972	Q 113	2SC839H	65428721		3P Terminal Board
43025972	Q101-103	2SC930D	65428722		(ANT Terminal)
43025972	Q104	2SC537F	511		4P Terminal Board
43025972	Q105-112,165	2SC537G	65428723		(Speaker Terminal)
43025972	Q161	2SC929C	65428724		27P Pin Jack
43025972	Q162-164	2SC929D	24528725		Ground Terminal
43025972	Q201-206	2SC945P	25028726	S11	Slide Switch
43025972	Q207-211	2SC945Q	25028727	S01	(Stereo 4-CH Sw.)
43025972	Q411-413,511-513, 611-613,751,851	2SC693G	25028728	S3,4,5,6	Pushbutton Switch
43025972	Q344,444,544,644	2SC815L			(On/Off Power)
43025972	Q343,443,543,643	2SC853M	24028729	S1	Pushbutton Switch
43025972	Q903	2SC536F	24028730	S2	(Remote, Tape Mon1, FM
Above Transistors indicated by HK Part No. 43025972 can be replaced by 2N3417			65428734		Muting, Lowcut
<b>TRANSISTORS &amp; IC'S</b>			12528735		Pushbutton Switch
43027722	Q341,342,441,442, 541,542,641,642	2SC640L	46528736		(Main, Ext Dolby NR.)
43027722	Q901	2SA545L	46528737		Contour, High Cut)
Above Transistors indicated by HK Part No. 43027722 can be replaced by 2N5807			46528738		Rotary Switch (Function)
43027213	Q902	2SD330C	46528739		Rotary Switch (Mode)
43027213	Q904	2SD325C	46528787		Headphone Jack
43024216	Q347,348,447,448, 547,548,647,648	2SD322M	00328740		Meter
43026284	Q346,446,546,646	2SC959M	20528752		Pilot Lamp (Dial)
43026285	Q345,445,545,645	2SA606M	38128776		Lamp (Meter)
			66028777		Lamp (Stereo)
			90728788		Lamp (Mode Indicator)
			90728186		Lamp (Power)
			90728187		Front End

NOTE: To speed handling of your order be sure to include both the model and serial numbers which appear at the back of the chassis, in addition to the quantity, part number and part description of the items ordered. Orders from independent dealers, independent servicemen, and retail customers will be shipped on a cash in advance basis. Harman-Kardon reserves the right to substitute equivalent parts for those originally installed in this chassis. All parts should be ordered from Harman-Kardon, 55 Ames Court, Plainview, L.I., N.Y. 11803, Att: Parts Department.