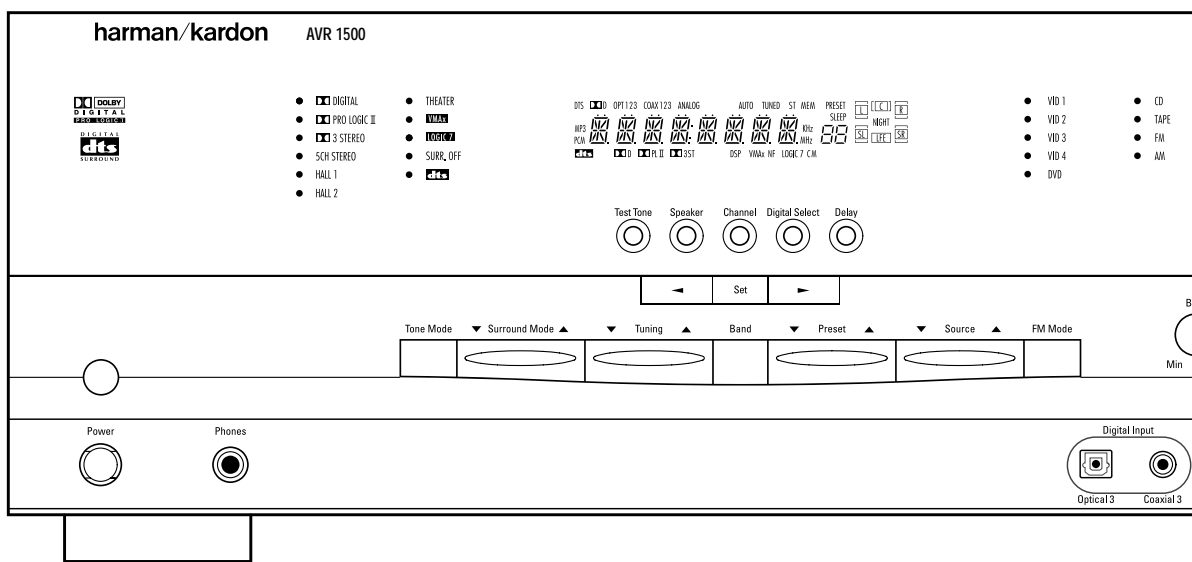


# AVR 1500 Audio/Video Receiver

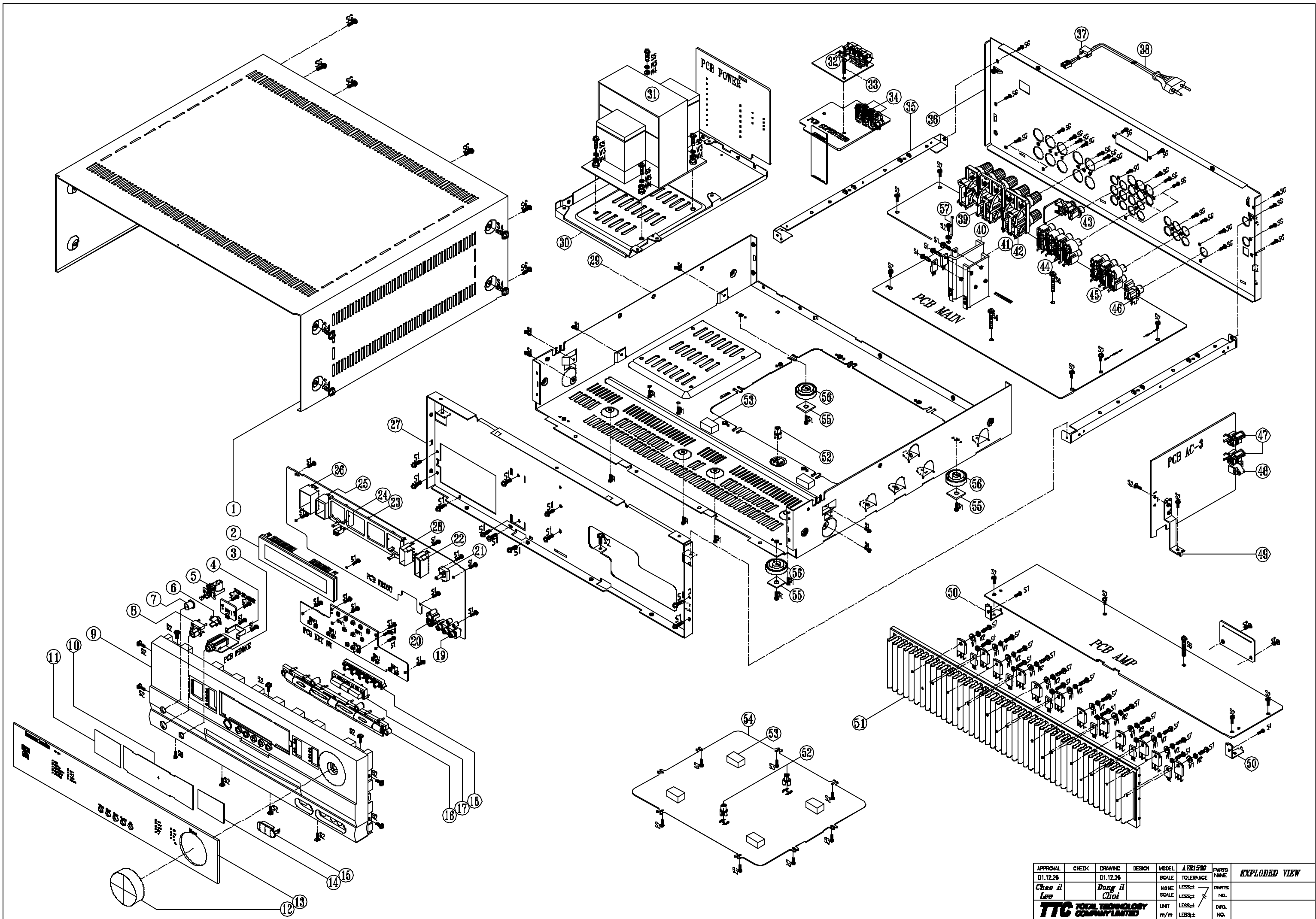
## SERVICE MANUAL

PACK 1500  
Amplifier



harman/kardon®

Power for the Digital Revolution.™



APPROVAL	CHECK	DRAWING	DESIGN	MODEL	Δ VER 500	PARTS NAME	EXPLODED VIEW
01.12.26		01.12.26		SCALE	TOLERANCE	PARTS NO.	
Chae il Lee		Dong il Choi		NONE	LESS±	PARTS NO.	
				SCALE	LESS±	DWG. NO.	
				UNIT	LESS±		
				m/m	LESS±		

**TTC TOTAL TECHNOLOGY COMPANY LIMITED**

# AVR1500 EXPLODED VIEW PART LIST

NO.	Part#	QTY	Description
1	55178250XX	1	AC PLN COVER TOP AVR520 --
2	55155740NR	1	DISPLAY HNA-10MM22
3	55088400XX	1	CONN-PHJAC 6.35 ST HORIZ EST-J6313 BK 0 0
4	55124350XX	1	AC PLN BRACKET HEADPHONE RT2280/RT2250(PAV5007/PAV5005)
5	55178200NR	1	SM PUSH POWER SWITCH 5.0A 250.0V 100MIOHM TT 2P
6	55177810XX	1	AC DEC BUTTON POWER HIPS DVD10
7	55178220XX	1	AC MLD BJTUN INDICATOR STAND-BY AVR520
8	55177820XX	1	AC DEC BUTTON STANDBY
9	55263260XX	1	AC DEC CABINET PANEL FRONT AVR1500
10	55177800XX	1	AC DEC CRYSTAL FILTER DISPLAY
11	55191560XX	1	AC NON-METAL DIFFUSER 0.2T 62.5*41 NH
12	55177740XX	1	AC DEC KNOB MAIN HIPS 94H
13	55262250XX	11	AC DEC CRYSTAL DISPLAY AVR1500
14	55177890XX	1	AC NON-METAL DIFFUSER 0.2T 59.6*41 NH
15	55258280XX	1	AC DEC CAP DIGITAL
16	55177790XX	1	AC DEC BUTTON 7 KEY
17	55177780XX	1	AC DEC BUTTON 3 KEY HIPS 4
18	55177780XX	1	AC DEC BUTTON 5 KEY
19	55113740XX	1	CON PHONO SCKT RCA-307 3 PINS
20	55113980XX	1	CON DIN SCKT SOCKET CONNECTOR 5VHS EST-S408J
21	55134900NR	1	SM ROT EC1682420*45 5V 5000A 10T 3P 0 0
22	55178840XX	2	AC PLASTIC MOLD REFRACTOR E VH
23	55244320XX	1	AC MLD HOLDER FL-GUIDE HIPS 94HB AVR120
24	55155830NR	1	IC-REMOTE RPM0938-RSIP-A3 RECEIVER 38KHZ
25	55191520XX	1	AC PLASTIC MOLD REFRACTOR A NH
26	55178830XX	1	AC PLASTIC MOLD REFRACTOR F NH
27	55178250XX	1	AC CPL CABINET CHASSIS FRONT SECC 1.0T AVR520
28	55191530XX	1	AC PLASTIC MOLD REFRACTOR B VH
29	55192680XX	1	AC CPL CABINET CHASSIS MAIN DCR600MK2
30	55124310XX	1	AC PLN BRACKET TRANS RT2280
31	55282240NR	1	TF-LAM POWER-TRANSFORMER 230V
32	55227740XX	1	AC WSA ASY KST-N1114MV1-80 TU MODULE AVR2500
33	55126360XX	1	AC MLD BJTUN SUPPORT RT2280/RT2250(PAV5007/PAV5005)
34	55148520XX	3	CON DIN SCKT MIX SOCKET RCA-118JP15
35	55178170XX	2	AC PLN BRACKET FRAME-GUIDE SECC T1.0
36	55262220XX	1	AC CPL REAR PANEL AVR1500
37	55125180XX	1	AC MLD CLAMP AC CORE RT2280/RT2250(PAV5007/PAV5005)
38	55188980XX	1	WIRE-MGRDM 0.75MM2 1830MM BK CORE POWER CE
39	55262240XX	1	CONN-SPE TERMINAL SPKR 6P -- FE 4.5MM 6 GN 0 0
40	55191380XX	1	CONN-SPE TERMINAL SPKR 4P SH0410376P FE 19MM 4 BK 0 0
41	55130170XX	1	AC METAL HEATSINK REG TR RT2280 2P --
42	55130180XX	1	AC METAL HEATSINK REG TR RT2280 3P --
43	55262230XX	1	CON PHONO SCKT RCA 2P
44	55178330XX	2	CON PHONO SCKT RCA 4P JW4104RS GND
45	55088230XX	1	CON PHONO SCKT RCA-806P 6 PINS
46	55191370XX	1	CON PHONO SCKT RCA 1P JACK JED10003XN
47	55248370XX	2	CON PHONO SCKT RCA 1P V/GND JED10003LN 06
48	55125430XX	1	D-LEM TORX1788 RD RND CL
49	55124320XX	1	AC PLN BRACKET AC3 PCB RT2280/RT2250(PAV5007/PAV5005)
50	55132220XX	2	AC PLN BRACKET MAIN PCB RT2280
51	55184300XX	1	AC METAL HEATSINK POWER AL5063T3 5.0T TV5100 --
52	55164880XX	4	AC MLD BRACKET SPACE PCB
53	55125220XX	6	AC BUFFER PCB
54	55227770XX	1	AC PLN COVER BOTTOM SECC T1.0 DVR600NKI --
55	55174780XX	4	AC FOOT RUBBER ROUND 3.0MM 25.0MM JIS 80 Y DIA
56	55178110XX	4	AC FOOT ASSY ROUND 12.5MM 50MM NOT DEFINED Y DIA
57	55212280XX	1	CABLE-FIX CLAMP WIRE

XX	55178860XX	1	AC SPRING PLATE SPRING GND C5212 0.2T
XX	55157180XX	1	FCORE FERRIT MAGNET V5T 20X10X10 F5
XX	55148840XX	1	FCORE FERRIT MAGNET RING34 34.5X21X12 K-180

S1	55127070XX	41	SCREW-ST 3MM 10MM
S2	55127120XX	25	SCREW-ST 3MM 8MM
S3	55127280XX	7	SCREW-ST 3MM 6MM
S4	55127140XX	8	SCREW-ST 4MM 8MM
S5	55178340XX	4	SCREW-ST 4MM 10MM
S6	55127290XX	3	SCREW-ST 3MM 18MM
S7	55178320XX	15	SCREW-ST 3MM 12MM
S8	55164800XX	1	SCREW 3MM 8MM
S9	55135480XX	21	SCREW-SPEC 3MM 10MM

W1	55127310XX	10	WASHER-FLAT 3
W2	55127300XX	10	WASHER-SPRING 3
W3	55131550XX	4	WASHER-SPRING 4
W4	55131730XX	4	WASHER-FLAT 4

	20832870XX	2	AC PRI LABEL QC CHECK CRK01217(20 X 13MM)
	55148150XX	2	AC PRI LABEL RISK GDRM1211
	55174780XX	1	AC PRI LABEL DATE
	55262280XX	1	AC PRI LABEL SERIAL AVR1500

## PL TITLE : AC MECH BOM AVR1500 OEM

Pos	Tocom#	SName
0050	55263260	AC DEC CABINET PANEL FRONT AVR1500
0060	55177740	AC DEC KNOB MAIN HIPS 94H
0070	55177760	AC DEC BUTTON 3 KEY HIPS 9
0080	55177780	AC DEC BUTTON 5 KEY
0090	55177790	AC DEC BUTTON 7 KEY
0100	55262250	AC DEC CRYSTAL DISPLAY AVR1500
0110	55177800	AC DEC CRYSTAL FILTER DISPLAY
0120	55177810	AC DEC BUTTON POWER HIPS DVD10
0130	55177820	AC DEC BUTTON STANDBY
0140	55178020	AC MLD BUTTON INDICATOR STAND-BY AVR520
0150	55191520	AC PLASTIC MOLD REFRACTOR A WH
0160	55178940	AC PLASTIC MOLD REFRACTOR E WH
0161	55191530	AC PLASTIC MOLD REFRACTOR B WH
0170	55178930	AC PLASTIC MOLD REFRACTOR F WH
0180	55244320	AC MLD HOLDER FL-GUIDE HIPS 94HB AVR120
0190	55178110	AC FOOT ASSY ROUND 12.5MM 50MM NOT DEFINED Y DIA
0200	55174760	AC FOOT RUBBER ROUND 3.0MM 25.0MM JIS 60 Y DIA
0210	55258280	AC DEC CAP DIGITAL
0240	55191560	AC NON-METAL DIFFUSER 0.2T 62.5*41 WH
0250	55177990	AC NON-METAL DIFFUSER 0.2T 59.6*41 WH
0260	55178000	SWIPUSH POWER SWITCH 5.0A 250.0V 100MIOHM 1T 2P
0270	55125180	AC MLD CLAMP AC CORD RT2280/RT2250(PAV5007/PAV5005)
0280	55125220	AC BUFFER PCB
0290	55227740	AC MSA ASY KST-M1114MW1-60 TU MODULE AVR2500
0300	20181850	CABLE-FIX WIRE-TIE WITH LOCK DENNISON TRANSOCEANIC 8012 A
0301	20370190	CABLE-FIX WIRE-TIE MELLERMAI TYPE T18R 0 0
0340	55178250	AC CPL CABINET CHASSIS FRONT SECC 1.0T AVR520
0350	55192650	AC CPL CABINET CHASSIS MAIN DCR600MK2
0360	55262220	AC CPL REAR PANEL AVR1500
0370	55184300	AC METAL HEATSINK POWER AL6063T5 5.0T TAV5100 --
0380	55164980	AC MLD BRACKET SPACE PCB
0390	55124320	AC PUN BRACKET AC3 PCB RT2280/RT2250(PAV5007/PAV5005)
0400	55178170	AC PUN BRACKET FRAME-GUIDE SECC T1.0
0410	55124350	AC PUN BRACKET HEADPHONE RT2280/RT2250(PAV5007/5005)
0420	55132220	AC PUN BRACKET MAIN PCB RT2280
0430	55124310	AC PUN BRACKET TRANS RT2280
0440	55227770	AC PUN COVER BOTTOM SECC T1.0 DVR600MKII --
0450	55178050	AC PUN COVER TOP AVR520 --
0460	55178960	AC SPRING PLATE SPRING GND C5212 0.2T AVR520
0520	55188980	WIRE-MCRDM 0.75MM2 1830MM BK CORD POWER CE
0530	55157190	FCORE FERRIT MAGNET W5T 20X10X10 F5
0540	55148840	FCORE FERRIT MAGNET RING34 34.5X21X12 K-150
0550	55192760	FFC-JUMPER 19X 1.25MM 360MM
0560	55192750	FFC-JUMPER 29X 1.25MM 460MM
0570	55286010	WIRECONASY UNIQUE 2P 420MM UL1617 PVC DOUBLE INSULATED 22
0600	55135460	SCREW-SPEC 3MM 10MM JIS 27 0 0
0610	55049000	SCREW-ST 3MM 06MM JIS B 1122 03 0 0
0620	55127070	SCREW-ST 3MM 10MM JIS B 1122 25 0 0
0630	55178320	SCREW-ST 3MM 12MM JIS B 1122 53 0 A4
0640	55127290	SCREW-ST 3MM 18MM JIS B 1122 53 0 0
0650	55127280	SCREW-ST 3MM 6MM JIS B 1122 25 0 0
0660	55127120	SCREW-ST 3MM 8MM JIS B 1122 53 0 0
0670	55127140	SCREW-ST 4MM 8MM JIS B 1122 25 0 0
0680	55127310	WASHER 3.3MM 8.0MM 0.5MM Y 53 0 A4
0690	55127300	WASHER-SPR 3.1MM 6.2MM 0.8MM Y 53 0 I4
0700	55178340	SCREW-ST 4MM 10MM A124008000 53 0 A4

0710	55131550	WASHER-SPR 4.2MM 7.2MM 1.0MM N/A 53 0 0
0720	55131730	WASHER 4.8MM 12MM 1.0MM -- 53 0 I5
0750	55174780	AC PRI LABEL DATE
0760	20932870	AC PRI LABEL QC CHECK CRKD1217(20 X 13MM)
0770	55149150	AC PRI LABEL RISK CDRW1211
0780	55262280	AC PRI LABEL SERIAL AVR1500
0790	55126350	AC MLD BUTTON SUPPORT RT2280/RT2250(PAV5007/PAV5005)
0800	55285240	TF-LAM POWER-TRANSFORMER 230V
0810	55261080	AC PLASTIC KNOB CORK SH08M790B0 BK
0820	55212250	CABLE-FIX CLAMP WIRE UL DENNISON 0 0

## PL TITLE : AC EMBD IMA FRONT BD AVR1500

Pos	Tocom#	SName
0010	55260810	AC ESABD IAU FRONT BD AVR1500
0030	20290150	SOLDER BAR 52SN/45PB/3SB BAR
0040	15481260	SLDC FLUX LRES FOAM SM32DHT-2
0050	20290240	SOLDER ALPHA RELIA. II 60/40 SOLDER WIRE 1.27 MM
C216	55134340	CM 47MIOF +80% -20% 5.5V 70C
CN1	55286020	WIRECONASY UNIQUE 3P 600MM UL1007 PVC DISCRETE 26 1
CN201	55236740	WIRECONASY UNIQUE 7P 400MM UL2468 RIBBON 26 1
CN202	55129010	CONN 1.25MM 19 FE ST BK 00-8370-191-000-800 2794 A6
CN203	55192770	CONN 1.25MM 29 FE ST BK 00-8370-291-000-800 2794 A6
CN204	55158660	WIRECONASY UNIQUE 4P 80MM UL1007 PVC DISCRETE 26
CN205	55236750	WIRECONASY UNIQUE 10P 480MM UL1533 SHIELD 26 1
CN210	55158640	WIRECONASY UNIQUE 2P 110MM UL1007 PVC DISCRETE 26
CP203	55123340	CONN 2.0MM 8 MA ST NAT LW2002P08 0 0
D2	55199400	D-LEM CT-3SGTA GN RND 3.0 CL 60M0CD
D201	55179290	D-LEM LTL-1CHGEC P-GN RND CL
D201	55199400	D-LEM CT-3SGTA GN RND 3.0 CL 60M0CD
D202	55199400	D-LEM CT-3SGTA GN RND 3.0 CL 60M0CD
D203	55179290	D-LEM LTL-1CHGEC P-GN RND CL
D203	55199400	D-LEM CT-3SGTA GN RND 3.0 CL 60M0CD
D204	55179290	D-LEM LTL-1CHGEC P-GN RND CL
D204	55199400	D-LEM CT-3SGTA GN RND 3.0 CL 60M0CD
D205	55179290	D-LEM LTL-1CHGEC P-GN RND CL
D205	55199400	D-LEM CT-3SGTA GN RND 3.0 CL 60M0CD
D206	55179290	D-LEM LTL-1CHGEC P-GN RND CL
D206	55199400	D-LEM CT-3SGTA GN RND 3.0 CL 60M0CD
D207	55179290	D-LEM LTL-1CHGEC P-GN RND CL
D207	55199400	D-LEM CT-3SGTA GN RND 3.0 CL 60M0CD
D208	55179290	D-LEM LTL-1CHGEC P-GN RND CL
D208	55199400	D-LEM CT-3SGTA GN RND 3.0 CL 60M0CD
D209	55179290	D-LEM LTL-1CHGEC P-GN RND CL
D209	55199400	D-LEM CT-3SGTA GN RND 3.0 CL 60M0CD
D210	55179290	D-LEM LTL-1CHGEC P-GN RND CL
D210	55199400	D-LEM CT-3SGTA GN RND 3.0 CL 60M0CD
D211	55179290	D-LEM LTL-1CHGEC P-GN RND CL
D211	55199400	D-LEM CT-3SGTA GN RND 3.0 CL 60M0CD
D217	55179290	D-LEM LTL-1CHGEC P-GN RND CL
D217	55199400	D-LEM CT-3SGTA GN RND 3.0 CL 60M0CD
D218	55179290	D-LEM LTL-1CHGEC P-GN RND CL
D218	55199400	D-LEM CT-3SGTA GN RND 3.0 CL 60M0CD
D219	55179290	D-LEM LTL-1CHGEC P-GN RND CL
D219	55199400	D-LEM CT-3SGTA GN RND 3.0 CL 60M0CD
D220	55179290	D-LEM LTL-1CHGEC P-GN RND CL
D220	55199400	D-LEM CT-3SGTA GN RND 3.0 CL 60M0CD
D221	55179290	D-LEM LTL-1CHGEC P-GN RND CL
D221	55199400	D-LEM CT-3SGTA GN RND 3.0 CL 60M0CD
D222	55179290	D-LEM LTL-1CHGEC P-GN RND CL
D222	55199400	D-LEM CT-3SGTA GN RND 3.0 CL 60M0CD
D223	55179290	D-LEM LTL-1CHGEC P-GN RND CL
D223	55199400	D-LEM CT-3SGTA GN RND 3.0 CL 60M0CD
D224	55179290	D-LEM LTL-1CHGEC P-GN RND CL
D224	55199400	D-LEM CT-3SGTA GN RND 3.0 CL 60M0CD
D225	55179290	D-LEM LTL-1CHGEC P-GN RND CL
D225	55199400	D-LEM CT-3SGTA GN RND 3.0 CL 60M0CD
D227	55179290	D-LEM LTL-1CHGEC P-GN RND CL
D227	55199400	D-LEM CT-3SGTA GN RND 3.0 CL 60M0CD
D228	55179290	D-LEM LTL-1CHGEC P-GN RND CL
D228	55199400	D-LEM CT-3SGTA GN RND 3.0 CL 60M0CD
D229	55179290	D-LEM LTL-1CHGEC P-GN RND CL
D229	55199400	D-LEM CT-3SGTA GN RND 3.0 CL 60M0CD
D230	55179290	D-LEM LTL-1CHGEC P-GN RND CL

D230	55199400	D-LEM CT-3SGTA GN RND 3.0 CL 60M0CD
D231	55179290	D-LEM LTL-1CHGEC P-GN RND CL
D231	55199400	D-LEM CT-3SGTA GN RND 3.0 CL 60M0CD
D233	55179290	D-LEM LTL-1CHGEC P-GN RND CL
D233	55199400	D-LEM CT-3SGTA GN RND 3.0 CL 60M0CD
D234	55179290	D-LEM LTL-1CHGEC P-GN RND CL
D234	55199400	D-LEM CT-3SGTA GN RND 3.0 CL 60M0CD
D235	55179290	D-LEM LTL-1CHGEC P-GN RND CL
D235	55199400	D-LEM CT-3SGTA GN RND 3.0 CL 60M0CD
D236	55179290	D-LEM LTL-1CHGEC P-GN RND CL
D236	55199400	D-LEM CT-3SGTA GN RND 3.0 CL 60M0CD
D237	55179290	D-LEM LTL-1CHGEC P-GN RND CL
D237	55199400	D-LEM CT-3SGTA GN RND 3.0 CL 60M0CD
D238	55179290	D-LEM LTL-1CHGEC P-GN RND CL
D238	55199400	D-LEM CT-3SGTA GN RND 3.0 CL 60M0CD
D239	55179290	D-LEM LTL-1CHGEC P-GN RND CL
D239	55199400	D-LEM CT-3SGTA GN RND 3.0 CL 60M0CD
D240	55179290	D-LEM LTL-1CHGEC P-GN RND CL
D240	55199400	D-LEM CT-3SGTA GN RND 3.0 CL 60M0CD
D241	55179290	D-LEM LTL-1CHGEC P-GN RND CL
D241	55199400	D-LEM CT-3SGTA GN RND 3.0 CL 60M0CD
D244	55179290	D-LEM LTL-1CHGEC P-GN RND CL
D244	55199400	D-LEM CT-3SGTA GN RND 3.0 CL 60M0CD
D245	55179290	D-LEM LTL-1CHGEC P-GN RND CL
D245	55199400	D-LEM CT-3SGTA GN RND 3.0 CL 60M0CD
D246	55179290	D-LEM LTL-1CHGEC P-GN RND CL
D246	55199400	D-LEM CT-3SGTA GN RND 3.0 CL 60M0CD
D247	55179290	D-LEM LTL-1CHGEC P-GN RND CL
D247	55199400	D-LEM CT-3SGTA GN RND 3.0 CL 60M0CD
D266	55179290	D-LEM LTL-1CHGEC P-GN RND CL
D266	55199400	D-LEM CT-3SGTA GN RND 3.0 CL 60M0CD
D267	55179290	D-LEM LTL-1CHGEC P-GN RND CL
D267	55199400	D-LEM CT-3SGTA GN RND 3.0 CL 60M0CD
D268	55179290	D-LEM LTL-1CHGEC P-GN RND CL
D268	55199400	D-LEM CT-3SGTA GN RND 3.0 CL 60M0CD
FINGER	55178960	AC SPRING PLATE SPRING GND C5212 0.2T AVR520
FL201	55155740	DISPLAY HNA-10MM22
IC201	55336450	IC-MICROCONT CXP82860-355Q AVR1500
JA201	55113740	CON PHONO SCKT RCA-307 3 PINS
JA202	55113960	CON DIN SCKT SOCKET CONNECTOR SVHS EST-S408J
L201	55179380	LF 4U7H +10% 1.7 OHM 190.0A
L202	55179380	LF 4U7H +10% 1.7 OHM 190.0A
RM201	55155930	IC-REMOTE RPM6938-RSIP-A3 RECEIVER 38KHZ
VR201	55134900	SWIROT EC16B24204A5 5V 500U0A 10T 3P 0 0
W301	55158710	WIRECONASY UNIQUE 1P 150MM UL1007 PVC DISCRETE 22 1
W401	55158710	WIRECONASY UNIQUE 1P 150MM UL1007 PVC DISCRETE 22 1
X201	55126140	CRESONATOR 10M0 HZ 25.0 OHM 0F

PL DWG NO: 55260810

PL TITLE : AC ESABD IAU FRONT BD AVR1500

Pos	Tocom#	SName
0010	55260870	AC ESABD SMD FRONT BD AVR1500
C1	20267830	CE 47U0F +20% 16.0V 85C
C202	20267830	CE 47U0F +20% 16.0V 85C
C203	20267830	CE 47U0F +20% 16.0V 85C
C204	20269010	CE 47U0F +20% 50.0V 85C
C210	20268880	CE 10U0F +20% 50.0V 85C
C214	20267830	CE 47U0F +20% 16.0V 85C
C215	20267830	CE 47U0F +20% 16.0V 85C
C219	20269010	CE 47U0F +20% 50.0V 85C
C220	20268880	CE 10U0F +20% 50.0V 85C
C234	20268950	CE 100N0F +20% 50.0V 85C







J324	20441180	BCL 0.5MM TIN ANNEALED COPPER 10.0MM 8MM FIG 1 20322610
J325	20441240	BCL 0.5MM TIN ANNEALED COPPER 7.5MM 8MM FIG 1 20322610
J327	20441240	BCL 0.5MM TIN ANNEALED COPPER 7.5MM 8MM FIG 1 20322610
J328	20441260	BCL 0.5MM TIN ANNEALED COPPER 15.0MM 8MM FIG 1 20322610
J329	20441240	BCL 0.5MM TIN ANNEALED COPPER 7.5MM 8MM FIG 1 20322610
J330	20441250	BCL 0.5MM TIN ANNEALED COPPER 12.5MM 8MM FIG 1 20322610
J331	20441260	BCL 0.5MM TIN ANNEALED COPPER 15.0MM 8MM FIG 1 20322610
J332	20441240	BCL 0.5MM TIN ANNEALED COPPER 7.5MM 8MM FIG 1 20322610
J333	20441240	BCL 0.5MM TIN ANNEALED COPPER 7.5MM 8MM FIG 1 20322610
J334	20441250	BCL 0.5MM TIN ANNEALED COPPER 12.5MM 8MM FIG 1 20322610
J4	20441210	BCL 0.5MM TIN ANNEALED COPPER 20.0MM 8MM FIG 1 20322610
J5	20441240	BCL 0.5MM TIN ANNEALED COPPER 7.5MM 8MM FIG 1 20322610
J6	20441260	BCL 0.5MM TIN ANNEALED COPPER 15.0MM 8MM FIG 1 20322610
J7	20441210	BCL 0.5MM TIN ANNEALED COPPER 20.0MM 8MM FIG 1 20322610
J8	20441210	BCL 0.5MM TIN ANNEALED COPPER 20.0MM 8MM FIG 1 20322610
J9	20441180	BCL 0.5MM TIN ANNEALED COPPER 10.0MM 8MM FIG 1 20322610
Q222	55133210	TR-SLPLF DTC114YSA N 100MIOA
Q223	55133210	TR-SLPLF DTC114YSA N 100MIOA
Q224	55133210	TR-SLPLF DTC114YSA N 100MIOA
Q225	55133210	TR-SLPLF DTC114YSA N 100MIOA
Q227	55142670	TR-SLPLF MPSA06 N 500MIOA

PL DWG NO: 55260870

PL TITLE : AC ESABD SMD FRONT BD AVR1500

Pos	Tocom#	SName
100	55284130	AC PCB FRONT BD AVR1500 SINGLE LAYER
C201	15070900	CCCFMIN 820P0F +10% -10% 50.0V NP0
C205	20267290	CCCFMIN 100N0F +80% -20% 50.0V Y5V
C209	20267290	CCCFMIN 100N0F +80% -20% 50.0V Y5V
C211	15070900	CCCFMIN 820P0F +10% -10% 50.0V NP0
C212	15070900	CCCFMIN 820P0F +10% -10% 50.0V NP0
C213	20267290	CCCFMIN 100N0F +80% -20% 50.0V Y5V
C217	20267290	CCCFMIN 100N0F +80% -20% 50.0V Y5V
C218	20267290	CCCFMIN 100N0F +80% -20% 50.0V Y5V
C228	11058670	CCCFMIN 100P0F +5% -5% 50.0V NP0
C229	11058670	CCCFMIN 100P0F +5% -5% 50.0V NP0
C230	11058670	CCCFMIN 100P0F +5% -5% 50.0V NP0
C237	20267290	CCCFMIN 100N0F +80% -20% 50.0V Y5V
C238	20267290	CCCFMIN 100N0F +80% -20% 50.0V Y5V
C239	20267290	CCCFMIN 100N0F +80% -20% 50.0V Y5V
C240	20267290	CCCFMIN 100N0F +80% -20% 50.0V Y5V
C241	20267290	CCCFMIN 100N0F +80% -20% 50.0V Y5V
C242	80440510	RMGCFMIN 0 OHM +0% 100MIOW
C244	80440510	RMGCFMIN 0 OHM +0% 100MIOW
C245	20267290	CCCFMIN 100N0F +80% -20% 50.0V Y5V
CL211	11058670	CCCFMIN 100P0F +5% -5% 50.0V NP0
CR211	11058670	CCCFMIN 100P0F +5% -5% 50.0V NP0
D1	20496510	D-SLP 1SS355 35.0V 225MIOA
D249	20496510	D-SLP 1SS355 35.0V 225MIOA
D253	20496510	D-SLP 1SS355 35.0V 225MIOA
D254	20496510	D-SLP 1SS355 35.0V 225MIOA
D255	20496510	D-SLP 1SS355 35.0V 225MIOA
D261	80440510	RMGCFMIN 0 OHM +0% 100MIOW
D262	80440510	RMGCFMIN 0 OHM +0% 100MIOW
D263	80440510	RMGCFMIN 0 OHM +0% 100MIOW
D264	80440510	RMGCFMIN 0 OHM +0% 100MIOW
D4	20496510	D-SLP 1SS355 35.0V 225MIOA
D5	20496510	D-SLP 1SS355 35.0V 225MIOA
IC202	20718660	IC-LOGIC BU4094BF SHIFT REGISTER CMOS
IC203	20718660	IC-LOGIC BU4094BF SHIFT REGISTER CMOS
IC204	20718660	IC-LOGIC BU4094BF SHIFT REGISTER CMOS
J201	80440510	RMGCFMIN 0 OHM +0% 100MIOW

J307	80440510	RMGCFMIN 0 OHM +0% 100MIOW
J308	80440510	RMGCFMIN 0 OHM +0% 100MIOW
Q201	55133180	TR-SSD DTC114YKA N 10K0 OHM 47K0 OHM
Q202	55133180	TR-SSD DTC114YKA N 10K0 OHM 47K0 OHM
Q203	55133180	TR-SSD DTC114YKA N 10K0 OHM 47K0 OHM
Q204	55133180	TR-SSD DTC114YKA N 10K0 OHM 47K0 OHM
Q205	55133180	TR-SSD DTC114YKA N 10K0 OHM 47K0 OHM
Q207	55133180	TR-SSD DTC114YKA N 10K0 OHM 47K0 OHM
Q208	55133180	TR-SSD DTC114YKA N 10K0 OHM 47K0 OHM
Q209	55133180	TR-SSD DTC114YKA N 10K0 OHM 47K0 OHM
Q210	55133180	TR-SSD DTC114YKA N 10K0 OHM 47K0 OHM
Q211	55133180	TR-SSD DTC114YKA N 10K0 OHM 47K0 OHM
Q212	55133180	TR-SSD DTC114YKA N 10K0 OHM 47K0 OHM
Q213	55133180	TR-SSD DTC114YKA N 10K0 OHM 47K0 OHM
Q214	55133180	TR-SSD DTC114YKA N 10K0 OHM 47K0 OHM
Q215	55133180	TR-SSD DTC114YKA N 10K0 OHM 47K0 OHM
Q218	55133180	TR-SSD DTC114YKA N 10K0 OHM 47K0 OHM
Q219	55133180	TR-SSD DTC114YKA N 10K0 OHM 47K0 OHM
Q220	55133180	TR-SSD DTC114YKA N 10K0 OHM 47K0 OHM
Q221	55133180	TR-SSD DTC114YKA N 10K0 OHM 47K0 OHM
Q236	55133190	TR-SSD DTA114YKA P 10K0 OHM 47K0 OHM
Q237	55133180	TR-SSD DTC114YKA N 10K0 OHM 47K0 OHM
R1	90574440	RMGCFMIN 56K0 OHM +5% 100MIOW
R10	60444350	RMGCFMIN 47R0 OHM +5% 100MIOW
R11	60444350	RMGCFMIN 47R0 OHM +5% 100MIOW
R12	60444350	RMGCFMIN 47R0 OHM +5% 100MIOW
R2	60444350	RMGCFMIN 47R0 OHM +5% 100MIOW
R202	50886610	RMGCFMIN 10K0 OHM +5% 100MIOW
R203	50886610	RMGCFMIN 10K0 OHM +5% 100MIOW
R204	20471950	RMGCFMIN 1K0 OHM +5% 100MIOW
R205	20471950	RMGCFMIN 1K0 OHM +5% 100MIOW
R206	50886610	RMGCFMIN 10K0 OHM +5% 100MIOW
R207	50886610	RMGCFMIN 10K0 OHM +5% 100MIOW
R209	50886610	RMGCFMIN 10K0 OHM +5% 100MIOW
R210	50886610	RMGCFMIN 10K0 OHM +5% 100MIOW
R211	50886610	RMGCFMIN 10K0 OHM +5% 100MIOW
R212	50886610	RMGCFMIN 10K0 OHM +5% 100MIOW
R213	50886610	RMGCFMIN 10K0 OHM +5% 100MIOW
R214	20471950	RMGCFMIN 1K0 OHM +5% 100MIOW
R215	20471950	RMGCFMIN 1K0 OHM +5% 100MIOW
R216	30944310	RMGCFMIN 4K7 OHM +5% 100MIOW
R217	30944310	RMGCFMIN 4K7 OHM +5% 100MIOW
R218	50886610	RMGCFMIN 10K0 OHM +5% 100MIOW
R219	50886630	RMGCFMIN 100K0 OHM +5% 100MIOW
R220	20471950	RMGCFMIN 1K0 OHM +5% 100MIOW
R221	50886610	RMGCFMIN 10K0 OHM +5% 100MIOW
R222	50886610	RMGCFMIN 10K0 OHM +5% 100MIOW
R223	90574370	RMGCFMIN 82R0 OHM +5% 100MIOW
R224	90574370	RMGCFMIN 82R0 OHM +5% 100MIOW
R225	90574370	RMGCFMIN 82R0 OHM +5% 100MIOW
R227	80440370	RMGCFMIN 150R0 OHM +5% 100MIOW
R228	80440370	RMGCFMIN 150R0 OHM +5% 100MIOW
R229	80440370	RMGCFMIN 150R0 OHM +5% 100MIOW
R230	80440370	RMGCFMIN 150R0 OHM +5% 100MIOW
R231	80440370	RMGCFMIN 150R0 OHM +5% 100MIOW
R233	80440370	RMGCFMIN 150R0 OHM +5% 100MIOW
R234	80440370	RMGCFMIN 150R0 OHM +5% 100MIOW
R235	80440370	RMGCFMIN 150R0 OHM +5% 100MIOW
R236	80440370	RMGCFMIN 150R0 OHM +5% 100MIOW
R237	80440370	RMGCFMIN 150R0 OHM +5% 100MIOW
R238	80440370	RMGCFMIN 150R0 OHM +5% 100MIOW
R239	80440370	RMGCFMIN 150R0 OHM +5% 100MIOW
R240	80440370	RMGCFMIN 150R0 OHM +5% 100MIOW
R241	80440370	RMGCFMIN 150R0 OHM +5% 100MIOW
R244	80440370	RMGCFMIN 150R0 OHM +5% 100MIOW

R245	80440370	RMGCFMIN 150R0 OHM +5% 100MIOW
R246	80440370	RMGCFMIN 150R0 OHM +5% 100MIOW
R247	80440370	RMGCFMIN 150R0 OHM +5% 100MIOW
R249	20471950	RMGCFMIN 1K0 OHM +5% 100MIOW
R250	20471950	RMGCFMIN 1K0 OHM +5% 100MIOW
R251	20471950	RMGCFMIN 1K0 OHM +5% 100MIOW
R252	70434200	RMGCFMIN 100R0 OHM +5% 100MIOW
R253	20471950	RMGCFMIN 1K0 OHM +5% 100MIOW
R254	20471950	RMGCFMIN 1K0 OHM +5% 100MIOW
R255	20471950	RMGCFMIN 1K0 OHM +5% 100MIOW
R256	20471950	RMGCFMIN 1K0 OHM +5% 100MIOW
R257	70434200	RMGCFMIN 100R0 OHM +5% 100MIOW
R258	20471950	RMGCFMIN 1K0 OHM +5% 100MIOW
R259	20471950	RMGCFMIN 1K0 OHM +5% 100MIOW
R260	20471950	RMGCFMIN 1K0 OHM +5% 100MIOW
R261	20471950	RMGCFMIN 1K0 OHM +5% 100MIOW
R264	70434200	RMGCFMIN 100R0 OHM +5% 100MIOW
R265	20471950	RMGCFMIN 1K0 OHM +5% 100MIOW
R276	70434200	RMGCFMIN 100R0 OHM +5% 100MIOW
R277	10355190	RMGCFMIN 2R2 OHM +5% 100MIOW
R278	10355190	RMGCFMIN 2R2 OHM +5% 100MIOW
R279	50886610	RMGCFMIN 10K0 OHM +5% 100MIOW
R280	50886610	RMGCFMIN 10K0 OHM +5% 100MIOW
R281	50886610	RMGCFMIN 10K0 OHM +5% 100MIOW
R283	50886610	RMGCFMIN 10K0 OHM +5% 100MIOW
R284	30944310	RMGCFMIN 4K7 OHM +5% 100MIOW
R285	30944310	RMGCFMIN 4K7 OHM +5% 100MIOW
R286	50886610	RMGCFMIN 10K0 OHM +5% 100MIOW
R287	11066500	RMGCFMIN 68K0 OHM +5% 100MIOW
R288	11066500	RMGCFMIN 68K0 OHM +5% 100MIOW
R289	11066480	RMGCFMIN 47K0 OHM +5% 100MIOW
R290	30944310	RMGCFMIN 4K7 OHM +5% 100MIOW
R291	70434200	RMGCFMIN 100R0 OHM +5% 100MIOW
R292	50886630	RMGCFMIN 100K0 OHM +5% 100MIOW
R293	11066460	RMGCFMIN 8K2 OHM +5% 100MIOW
R294	50886610	RMGCFMIN 10K0 OHM +5% 100MIOW
R299	60444350	RMGCFMIN 47R0 OHM +5% 100MIOW
R3	60444350	RMGCFMIN 47R0 OHM +5% 100MIOW
R300	60444350	RMGCFMIN 47R0 OHM +5% 100MIOW
R4	60444350	RMGCFMIN 47R0 OHM +5% 100MIOW
R5	60444350	RMGCFMIN 47R0 OHM +5% 100MIOW
R7	60444350	RMGCFMIN 47R0 OHM +5% 100MIOW
R8	60444350	RMGCFMIN 47R0 OHM +5% 100MIOW
R9	60444350	RMGCFMIN 47R0 OHM +5% 100MIOW

PL DWG NO: 55260790

PL TITLE : AC EMBD IMA KEY BD AVR1500

Pos	Tocom#	SName
0010	55260850	AC ESABD IAU KEY BD AVR1500
0020	20290150	SOLDER BAR 52SN/45PB/3SB BAR
0030	15481260	SLDC FLUX LRES FOAM SM32DHT-2
0040	20290240	SOLDER ALPHA RELIA. II 60/40 SOLDER WIRE 1.27 MM
CN401	55175800	WIRECONASY UNIQUE 8P 100MM UL1007 PVC DISCRETE 26 1
CN403	5515865A	WIRECONASY UNIQUE 3P 390MM UL1007 PVC DISCRETE 26
CN405	55125040	CONN 2.0MM 12 MA R NAT MOLEX 35237-1210 0 0
CP403	55078520	CONN 2.0MM 2 MA R NAT LW2003P02 0 0
CP404	55123310	CONN 2.0MM 4 MA ST NAT LW2002P04 0 0
CP405	55124970	CONN 2.0MM 12 MA R NAT MOLEX 35336-1210 0 0
D401	55179330	D-LEM RED/GREEN 5 RD RND CL
HP601	55088400	CONN-PHJAC 6.35 ST HORZ EST-J6313 BK 0 0
R608	40440590	RMOF 330R0 OHM +5% 2.0W
R609	40440590	RMOF 330R0 OHM +5% 2.0W
W301	55158710	WIRECONASY UNIQUE 1P 150MM UL1007 PVC DISCRETE 22 1

PL DWG NO: 55260850

PL TITLE : AC ESABD IAU KEY BD AVR1500

Pos	Tocom#	SName
0010	55260910	AC ESABD SMD KEY BD AVR1500
J401	20441180	BCL 0.5MM TIN ANNEALED COPPER 10.0MM 8MM FIG 1 20322610
J402	20441240	BCL 0.5MM TIN ANNEALED COPPER 7.5MM 8MM FIG 1 20322610
J403	20441240	BCL 0.5MM TIN ANNEALED COPPER 7.5MM 8MM FIG 1 20322610
J404	20441240	BCL 0.5MM TIN ANNEALED COPPER 7.5MM 8MM FIG 1 20322610
J405	20441240	BCL 0.5MM TIN ANNEALED COPPER 7.5MM 8MM FIG 1 20322610
J407	20441180	BCL 0.5MM TIN ANNEALED COPPER 10.0MM 8MM FIG 1 20322610
SW401	55145270	SWITACT VERTICAL TACTILE F/B 50MI0A 12.0V 500MI0OHM 1T 1P
SW402	55145270	SWITACT VERTICAL TACTILE F/B 50MI0A 12.0V 500MI0OHM 1T 1P
SW403	55145270	SWITACT VERTICAL TACTILE F/B 50MI0A 12.0V 500MI0OHM 1T 1P
SW404	55145270	SWITACT VERTICAL TACTILE F/B 50MI0A 12.0V 500MI0OHM 1T 1P
SW405	55145270	SWITACT VERTICAL TACTILE F/B 50MI0A 12.0V 500MI0OHM 1T 1P
SW406	55145270	SWITACT VERTICAL TACTILE F/B 50MI0A 12.0V 500MI0OHM 1T 1P
SW407	55145270	SWITACT VERTICAL TACTILE F/B 50MI0A 12.0V 500MI0OHM 1T 1P
SW408	55145270	SWITACT VERTICAL TACTILE F/B 50MI0A 12.0V 500MI0OHM 1T 1P
SW409	55145270	SWITACT VERTICAL TACTILE F/B 50MI0A 12.0V 500MI0OHM 1T 1P
SW410	55145270	SWITACT VERTICAL TACTILE F/B 50MI0A 12.0V 500MI0OHM 1T 1P
SW411	55145270	SWITACT VERTICAL TACTILE F/B 50MI0A 12.0V 500MI0OHM 1T 1P
SW412	55145270	SWITACT VERTICAL TACTILE F/B 50MI0A 12.0V 500MI0OHM 1T 1P
SW413	55145270	SWITACT VERTICAL TACTILE F/B 50MI0A 12.0V 500MI0OHM 1T 1P
SW414	55145270	SWITACT VERTICAL TACTILE F/B 50MI0A 12.0V 500MI0OHM 1T 1P
SW415	55145270	SWITACT VERTICAL TACTILE F/B 50MI0A 12.0V 500MI0OHM 1T 1P
SW416	55145270	SWITACT VERTICAL TACTILE F/B 50MI0A 12.0V 500MI0OHM 1T 1P
SW417	55145270	SWITACT VERTICAL TACTILE F/B 50MI0A 12.0V 500MI0OHM 1T 1P
SW418	55145270	SWITACT VERTICAL TACTILE F/B 50MI0A 12.0V 500MI0OHM 1T 1P
SW419	55145270	SWITACT VERTICAL TACTILE F/B 50MI0A 12.0V 500MI0OHM 1T 1P
SW420	55145270	SWITACT VERTICAL TACTILE F/B 50MI0A 12.0V 500MI0OHM 1T 1P

PL DWG NO: 55260910

PL TITLE : AC ESABD SMD KEY BD AVR1500

Pos	Tocom#	SName
010	55192810	AC PCB KEY BD DCR600MKII SINGLE LAYER
BD305	55126650	FBEAD SURFACE MT 300OHM FCM2012V-301T07
BD306	55126650	FBEAD SURFACE MT 300OHM FCM2012V-301T07
C1	20267290	CCCFMIN 100N0F +80% -20% 50.0V Y5V
C401	30939240	CCCFMIN 22N0F +10% -10% 50.0V X7R
C402	30939240	CCCFMIN 22N0F +10% -10% 50.0V X7R
C616	20267290	CCCFMIN 100N0F +80% -20% 50.0V Y5V
C617	11058710	CCCFMIN 560P0F +5% -5% 50.0V NP0
C618	11058710	CCCFMIN 560P0F +5% -5% 50.0V NP0
Q401	55133180	TR-SSD DTC114YKA N 10K0 OHM 47K0 OHM
R401	50886610	RMGCFMIN 10K0 OHM +5% 100MI0W
R402	20471950	RMGCFMIN 1K0 OHM +5% 100MI0W
R403	70434230	RMGCFMIN 1K2 OHM +5% 100MI0W
R404	40438290	RMGCFMIN 1K5 OHM +5% 100MI0W
R405	80440390	RMGCFMIN 2K2 OHM +5% 100MI0W
R406	50886590	RMGCFMIN 2K7 OHM +5% 100MI0W
R407	11066440	RMGCFMIN 3K3 OHM +5% 100MI0W
R408	80440400	RMGCFMIN 5K6 OHM +5% 100MI0W
R409	11066460	RMGCFMIN 8K2 OHM +5% 100MI0W
R410	90574430	RMGCFMIN 18K0 OHM +5% 100MI0W
R411	50886610	RMGCFMIN 10K0 OHM +5% 100MI0W
R412	20471950	RMGCFMIN 1K0 OHM +5% 100MI0W
R413	70434230	RMGCFMIN 1K2 OHM +5% 100MI0W
R414	40438290	RMGCFMIN 1K5 OHM +5% 100MI0W
R415	80440390	RMGCFMIN 2K2 OHM +5% 100MI0W
R416	50886590	RMGCFMIN 2K7 OHM +5% 100MI0W
R417	11066440	RMGCFMIN 3K3 OHM +5% 100MI0W
R418	80440400	RMGCFMIN 5K6 OHM +5% 100MI0W
R419	11066460	RMGCFMIN 8K2 OHM +5% 100MI0W
R420	90574430	RMGCFMIN 18K0 OHM +5% 100MI0W
R421	50886540	RMGCFMIN 330R0 OHM +5% 100MI0W
R422	50886540	RMGCFMIN 330R0 OHM +5% 100MI0W
R423	20471950	RMGCFMIN 1K0 OHM +5% 100MI0W
R424	20471950	RMGCFMIN 1K0 OHM +5% 100MI0W
R610	70434250	RMGCFMIN 15K0 OHM +5% 100MI0W
R611	70434250	RMGCFMIN 15K0 OHM +5% 100MI0W
R612	11066480	RMGCFMIN 47K0 OHM +5% 100MI0W
R613	70434250	RMGCFMIN 15K0 OHM +5% 100MI0W

Pos	Tocom#	SName
0010	55260820	AC ESABD IAU MAIN BD AVR1500
0030	20290150	SOLDER BAR 52SN/45PB/3SB BAR
0040	15481260	SLDC FLUX LRES FOAM SM32DHT-2
0050	20290240	SOLDER ALPHA RELIA. II 60/40 SOLDER WIRE 1.27 MM
0060	55130170	AC METAL HEATSINK REG TR RT2280 2P --
0070	55298430	AC METAL HEATSINK REG TR 3P --
0071	55311150	AC METAL HEATSINK DIODE --
0072	55127070	SCREW-ST 3MM 10MM JIS B 1122 25 0 0
0080	55127070	SCREW-ST 3MM 10MM JIS B 1122 25 0 0
C120	55183340	CE 8MI2F +20% 80.0V 85C
C121	55183340	CE 8MI2F +20% 80.0V 85C
C127	40433130	CE 2MI2F +20% 35.0V 85C
C128	40433130	CE 2MI2F +20% 35.0V 85C
C138	55126160	CE 6MI8F +20% 16.0V 85C
C139	55126160	CE 6MI8F +20% 16.0V 85C
C461	55129660	CPM 680N0F +10% 63.0V
CN116	55125040	CONN 2.0MM 12 MA R NAT MOLEX 35237-1210 0 0
CN201	55158630	WIRECONASY UNIQUE 3P 80MM UL1007 PVC DISCRETE 26
CN300	55285970	WIRECONASY UNIQUE 12P 190MM UL1007 PVC DISCRETE 26 1
CN400	55177600	CONN 2.5MM 10 MA ST NAT 0 0
CN501	55144670	WIRECONASY UNIQUE 7P 90MM UL1007 PVC DISCRETE 22 1
CN502	55184150	WIRECONASY UNIQUE 10P 80MM UL1007 PVC DISCRETE 26
CP116	55124970	CONN 2.0MM 12 MA R NAT MOLEX 35336-1210 0 0
CP121	55177620	CONN 2.5MM 3 MA ST NAT 0 0
CP201	55090080	CONN 2.0MM 3 MA ST NAT LW2002P03 0 0
CP301	55192770	CONN 1.25MM 29 FE ST BK 00-8370-291-000-800 2794 A6
CP304	55090050	CONN 2.0MM 10 MA ST NAT LW2002P10 0 0
CP401	55124990	CONN 2.0MM 14 MA R NAT MOLEX 35336-1410 0 0
CP402	55124960	CONN 2.0MM 11 MA R NAT MOLEX 35336-1110 0 0
CP503	55146590	CONN 2.5MM 5 MA ST NAT 0 0
D112	55134080	D-BRDLC RS603M
D113	20415060	D-SR 1N4004 400.0V 1.0A
D114	20415060	D-SR 1N4004 400.0V 1.0A
D115	20415060	D-SR 1N4004 400.0V 1.0A
D116	20415060	D-SR 1N4004 400.0V 1.0A
D118	20415060	D-SR 1N4004 400.0V 1.0A
D119	20415060	D-SR 1N4004 400.0V 1.0A
D120	20415060	D-SR 1N4004 400.0V 1.0A
D121	20415060	D-SR 1N4004 400.0V 1.0A
D900	20525530	D-SR 1N4003 200.0V 1A
G100	55135980	TERMLUG GND
IC102	20832440	IC-REGPOSFXD KIA7815API NORMAL
IC103	55124020	IC-REGNEGFXD KIA7915PI NORMAL
IC104	55123960	IC-REGPOSFXD KIA7805API NORMAL
IC105	55123990	IC-REGNEGFXD KIA7905PI NORMAL
IC106	55125450	IC-REGPOSFXD BA033T NORMAL
IC200	20832580	IC-SWITCH LC78211 ANALOG SWITCH
IC201	20832580	IC-SWITCH LC78211 ANALOG SWITCH
JK100	55262230	CON PHONO SCKT RCA 2P
JK104	55262240	CONN-SPE TERMINAL SPKR 6P -- FE 4.5MM 6 GN 0 0
JK105	55191390	CONN-SPE TERMINAL SPKR 4P SH0410376P FE 19MM 4 BK 0 0
JK106	55176330	CON PHONO SCKT RCA 4P JW4104RS GND
JK107	55176330	CON PHONO SCKT RCA 4P JW4104RS GND
JK109	55088230	CON PHONO SCKT RCA-606P 6 PINS
JK111	55191370	CON PHONO SCKT RCA 1P JACK JE010003XN
JK112	55149520	CON DIN SCKT MIX SOCKET RCA-118JP1S

JK113	55149520	CON DIN SCKT MIX SOCKET RCA-118JP1S
JK114	55149520	CON DIN SCKT MIX SOCKET RCA-118JP1S
L900	21070690	LFA 1MM 10MM 7 LEFT
L901	21070690	LFA 1MM 10MM 7 LEFT
L902	21070690	LFA 1MM 10MM 7 LEFT
L903	21070690	LFA 1MM 10MM 7 LEFT
L904	21070690	LFA 1MM 10MM 7 LEFT
R127	20696190	RW 100MIO OHM +5% 5.0W 260PPM/'C 260PPM/'C
R128	20696190	RW 100MIO OHM +5% 5.0W 260PPM/'C 260PPM/'C
R141	55154180	RMFF 270MIO OHM +10% 1.0W
R142	55154180	RMFF 270MIO OHM +10% 1.0W
R143	55154180	RMFF 270MIO OHM +10% 1.0W
R144	55154180	RMFF 270MIO OHM +10% 1.0W
R400	90572170	RMOF 270R0 OHM +5% 1.0W
R401	90572160	RMOF 220R0 OHM +5% 1.0W
R900	15022710	RMOF 10R0 OHM +5% 2.0W
R905	15022710	RMOF 10R0 OHM +5% 2.0W
R910	15022710	RMOF 10R0 OHM +5% 2.0W
R915	15022710	RMOF 10R0 OHM +5% 2.0W
R920	15022710	RMOF 10R0 OHM +5% 2.0W
RY900	55127410	RELAYPWR 24.0V 1K1OHM 5.0A 30.0V
W101	55163540	WIRECONASY UNIQUE 1P 100MM UL1007 PVC DISCRETE 18 1
W102	55285990	WIRECONASY UNIQUE 1P 300MM UL1007 PVC DISCRETE 16 1
W103	55337550	WIRECONASY UNIQUE 1P 180MM UL1007 RIBBON 18 1
W104	55337550	WIRECONASY UNIQUE 1P 180MM UL1007 RIBBON 18 1

PL DWG NO: 55260820

PL TITLE : AC ESABD IAU MAIN BD AVR1500

Pos	Tocom#	SName
0010	55260880	AC ESABD SMD MAIN BD AVR1500
C111	20268840	CE 1U0F +20% 50.0V 85C
C115	55095430	CPM 100N0F +10% 250.0V
C116	55095430	CPM 100N0F +10% 250.0V
C117	55095430	CPM 100N0F +10% 250.0V
C118	55095430	CPM 100N0F +10% 250.0V
C119	55095430	CPM 100N0F +10% 250.0V
C122	40432960	CPM 47N0F +20% 100.0V
C123	40432960	CPM 47N0F +20% 100.0V
C124	40432960	CPM 47N0F +20% 100.0V
C129	20268840	CE 1U0F +20% 50.0V 85C
C131	20268840	CE 1U0F +20% 50.0V 85C
C133	40432960	CPM 47N0F +20% 100.0V
C134	40432960	CPM 47N0F +20% 100.0V
C135	40432960	CPM 47N0F +20% 100.0V
C136	20268880	CE 10U0F +20% 50.0V 85C
C137	20268850	CE 2U2F +20% 50.0V 85C
C140	20268840	CE 1U0F +20% 50.0V 85C
C142	20268840	CE 1U0F +20% 50.0V 85C
C150	20268980	CE 22U0F +20% 50.0V 85C
C151	20252670	CE 470U0F +20% 10.0V 85C
C153	20268880	CE 10U0F +20% 50.0V 85C
C154	20268880	CE 10U0F +20% 50.0V 85C
C155	20268880	CE 10U0F +20% 50.0V 85C
C156	20268880	CE 10U0F +20% 50.0V 85C
C157	20267830	CE 47U0F +20% 16.0V 85C
C158	20267830	CE 47U0F +20% 16.0V 85C
C232	20267830	CE 47U0F +20% 16.0V 85C
C233	20268840	CE 1U0F +20% 50.0V 85C



C234	20267830	CE 47U0F +20% 16.0V 85C
C235	20267830	CE 47U0F +20% 16.0V 85C
C236	20268840	CE 1U0F +20% 50.0V 85C
C237	20267830	CE 47U0F +20% 16.0V 85C
C238	20268880	CE 10U0F +20% 50.0V 85C
C239	20268880	CE 10U0F +20% 50.0V 85C
C240	20268880	CE 10U0F +20% 50.0V 85C
C241	20268880	CE 10U0F +20% 50.0V 85C
C242	20267830	CE 47U0F +20% 16.0V 85C
C243	20267830	CE 47U0F +20% 16.0V 85C
C317	20267830	CE 47U0F +20% 16.0V 85C
C318	20267830	CE 47U0F +20% 16.0V 85C
C321	20267830	CE 47U0F +20% 16.0V 85C
C322	20267830	CE 47U0F +20% 16.0V 85C
C323	20267830	CE 47U0F +20% 16.0V 85C
C324	20267830	CE 47U0F +20% 16.0V 85C
C325	20267830	CE 47U0F +20% 16.0V 85C
C400	20268960	CE 33N0F +20% 50.0V 85C
C401	20266320	CPF 15N0F +10% 50.0V
C402	20266840	CPF 8N2F +10% 50.0V
C403	20268860	CE 3U3F +20% 50.0V 85C
C404	20268860	CE 3U3F +20% 50.0V 85C
C405	20266120	CPF 1N0F +10% 50.0V
C406	20266120	CPF 1N0F +10% 50.0V
C407	20269020	CE 100U0F +20% 16.0V 85C
C408	20269020	CE 100U0F +20% 16.0V 85C
C409	20268960	CE 33N0F +20% 50.0V 85C
C410	20266320	CPF 15N0F +10% 50.0V
C411	20266840	CPF 8N2F +10% 50.0V
C413	20268860	CE 3U3F +20% 50.0V 85C
C415	20268860	CE 3U3F +20% 50.0V 85C
C417	20268860	CE 3U3F +20% 50.0V 85C
C418	20268860	CE 3U3F +20% 50.0V 85C
C420	20268860	CE 3U3F +20% 50.0V 85C
C422	20268860	CE 3U3F +20% 50.0V 85C
C427	20267830	CE 47U0F +20% 16.0V 85C
C428	20267830	CE 47U0F +20% 16.0V 85C
C429	20267830	CE 47U0F +20% 16.0V 85C
C430	20267830	CE 47U0F +20% 16.0V 85C
C431	20267830	CE 47U0F +20% 16.0V 85C
C432	20267830	CE 47U0F +20% 16.0V 85C
C433	20268880	CE 10U0F +20% 50.0V 85C
C436	20268880	CE 10U0F +20% 50.0V 85C
C437	20268880	CE 10U0F +20% 50.0V 85C
C440	20268880	CE 10U0F +20% 50.0V 85C
C441	20268880	CE 10U0F +20% 50.0V 85C
C444	20268880	CE 10U0F +20% 50.0V 85C
C445	20268880	CE 10U0F +20% 50.0V 85C
C448	20268880	CE 10U0F +20% 50.0V 85C
C449	20268880	CE 10U0F +20% 50.0V 85C
C452	20268880	CE 10U0F +20% 50.0V 85C
C453	20268880	CE 10U0F +20% 50.0V 85C
C456	20268880	CE 10U0F +20% 50.0V 85C
C457	20269020	CE 100U0F +20% 16.0V 85C
C491	20268840	CE 1U0F +20% 50.0V 85C
C492	20268840	CE 1U0F +20% 50.0V 85C
C493	20268840	CE 1U0F +20% 50.0V 85C
C900	11055580	CC 4N7F +10% -10% 50.0V Y5P
C901	40432960	CPM 47N0F +20% 100.0V
C902	11055580	CC 4N7F +10% -10% 50.0V Y5P
C903	11055580	CC 4N7F +10% -10% 50.0V Y5P

C904	40432960	CPM 47N0F +20% 100.0V
C905	11055580	CC 4N7F +10% -10% 50.0V Y5P
C906	11055580	CC 4N7F +10% -10% 50.0V Y5P
C907	40432960	CPM 47N0F +20% 100.0V
C908	11055580	CC 4N7F +10% -10% 50.0V Y5P
C909	11055580	CC 4N7F +10% -10% 50.0V Y5P
C910	40432960	CPM 47N0F +20% 100.0V
C911	11055580	CC 4N7F +10% -10% 50.0V Y5P
C912	11055580	CC 4N7F +10% -10% 50.0V Y5P
C913	40432960	CPM 47N0F +20% 100.0V
C914	11055580	CC 4N7F +10% -10% 50.0V Y5P
C951	20268880	CE 10U0F +20% 50.0V 85C
C953	20268880	CE 10U0F +20% 50.0V 85C
C954	20268880	CE 10U0F +20% 50.0V 85C
C955	20268880	CE 10U0F +20% 50.0V 85C
C956	20268880	CE 10U0F +20% 50.0V 85C
C958	20268880	CE 10U0F +20% 50.0V 85C
C959	20268880	CE 10U0F +20% 50.0V 85C
C960	20268880	CE 10U0F +20% 50.0V 85C
C962	20252670	CE 47U0F +20% 10.0V 85C
C965	20268880	CE 10U0F +20% 50.0V 85C
C967	20268880	CE 10U0F +20% 50.0V 85C
C971	20252670	CE 47U0F +20% 10.0V 85C
C972	20268880	CE 10U0F +20% 50.0V 85C
C973	20252670	CE 47U0F +20% 10.0V 85C
C977	20267830	CE 47U0F +20% 16.0V 85C
C978	20267830	CE 47U0F +20% 16.0V 85C
C980	20267830	CE 47U0F +20% 16.0V 85C
C982	20267830	CE 47U0F +20% 16.0V 85C
D123	20421210	D-ZENER 1N5242B 12.0V 500MI0W
D400	20526990	D-ZENER 1N5235B 6.8V 500MI0W
D401	20526990	D-ZENER 1N5235B 6.8V 500MI0W
D402	70436540	D-SLP 1N4148 100.0V 150E-3A
D403	70436540	D-SLP 1N4148 100.0V 150E-3A
D404	70436540	D-SLP 1N4148 100.0V 150E-3A
D405	70436540	D-SLP 1N4148 100.0V 150E-3A
D406	70436540	D-SLP 1N4148 100.0V 150E-3A
D407	70436540	D-SLP 1N4148 100.0V 150E-3A
D408	70436540	D-SLP 1N4148 100.0V 150E-3A
D409	70436540	D-SLP 1N4148 100.0V 150E-3A
D410	70436540	D-SLP 1N4148 100.0V 150E-3A
D411	70436540	D-SLP 1N4148 100.0V 150E-3A
D412	70436540	D-SLP 1N4148 100.0V 150E-3A
D413	70436540	D-SLP 1N4148 100.0V 150E-3A
D414	70436540	D-SLP 1N4148 100.0V 150E-3A
D415	70436540	D-SLP 1N4148 100.0V 150E-3A
D416	70436540	D-SLP 1N4148 100.0V 150E-3A
D417	70436540	D-SLP 1N4148 100.0V 150E-3A
D418	20526960	D-ZENER 1N5231B 5.1V 500MI0W
J1	20441240	BCL 0.5MM TIN ANNEALED COPPER 7.5MM 8MM FIG 1 20322610
J108	20441240	BCL 0.5MM TIN ANNEALED COPPER 7.5MM 8MM FIG 1 20322610
J109	20441240	BCL 0.5MM TIN ANNEALED COPPER 7.5MM 8MM FIG 1 20322610
J11	20441240	BCL 0.5MM TIN ANNEALED COPPER 7.5MM 8MM FIG 1 20322610
J110	20330130	BCL 0.5MM TIN ANNEALED COPPER 6.0MM 8MM FIG 1 20322610
J111	20441250	BCL 0.5MM TIN ANNEALED COPPER 12.5MM 8MM FIG 1 20322610
J112	20330130	BCL 0.5MM TIN ANNEALED COPPER 6.0MM 8MM FIG 1 20322610
J113	20441180	BCL 0.5MM TIN ANNEALED COPPER 10.0MM 8MM FIG 1 20322610
J115	20441250	BCL 0.5MM TIN ANNEALED COPPER 12.5MM 8MM FIG 1 20322610
J12	20441260	BCL 0.5MM TIN ANNEALED COPPER 15.0MM 8MM FIG 1 20322610
J121	20441240	BCL 0.5MM TIN ANNEALED COPPER 7.5MM 8MM FIG 1 20322610
J13	20441180	BCL 0.5MM TIN ANNEALED COPPER 10.0MM 8MM FIG 1 20322610









J88	20441260	BCL 0.5MM TIN ANNEALED COPPER 15.0MM 8MM FIG 1 20322610
J89	20441260	BCL 0.5MM TIN ANNEALED COPPER 15.0MM 8MM FIG 1 20322610
J9	20441240	BCL 0.5MM TIN ANNEALED COPPER 7.5MM 8MM FIG 1 20322610
J91	20441260	BCL 0.5MM TIN ANNEALED COPPER 15.0MM 8MM FIG 1 20322610
J92	20441210	BCL 0.5MM TIN ANNEALED COPPER 20.0MM 8MM FIG 1 20322610
J93	20441210	BCL 0.5MM TIN ANNEALED COPPER 20.0MM 8MM FIG 1 20322610
J94	20441250	BCL 0.5MM TIN ANNEALED COPPER 12.5MM 8MM FIG 1 20322610
J95	20441260	BCL 0.5MM TIN ANNEALED COPPER 15.0MM 8MM FIG 1 20322610
J96	20330130	BCL 0.5MM TIN ANNEALED COPPER 6.0MM 8MM FIG 1 20322610
J97	20441210	BCL 0.5MM TIN ANNEALED COPPER 20.0MM 8MM FIG 1 20322610
J98	20441250	BCL 0.5MM TIN ANNEALED COPPER 12.5MM 8MM FIG 1 20322610
J99	20441240	BCL 0.5MM TIN ANNEALED COPPER 7.5MM 8MM FIG 1 20322610
Q102	20508210	TR-SLPLF KTA1266 Y P 150MIOA
Q103	20508210	TR-SLPLF KTA1266 Y P 150MIOA
Q104	55133250	TR-SLPLF 2SC1740S R N 150MIOA 50V
Q105	55133250	TR-SLPLF 2SC1740S R N 150MIOA 50V
Q106	20508210	TR-SLPLF KTA1266 Y P 150MIOA
Q107	20556600	TR-SHPLF KTC3200BL N 100MIOA 120V
Q108	55133230	TR-SLPLF KTA1268 GR P 100MIOA -120V
Q391	55133340	TR-SLPLF DTC114TS N 600MIOA
Q392	55133220	TR-SLPLF DTA114YSA P 100MIOA
Q393	55112030	TR-M FET RA/TAD 2SK117Y N 300MIOA 14MIOA
Q400	55133220	TR-SLPLF DTA114YSA P 100MIOA
Q401	55133220	TR-SLPLF DTA114YSA P 100MIOA
Q402	55133220	TR-SLPLF DTA114YSA P 100MIOA
Q403	55133220	TR-SLPLF DTA114YSA P 100MIOA
Q404	55133290	TR-SLPLF KTD1302 B N 300MIOA 20V
Q405	55133290	TR-SLPLF KTD1302 B N 300MIOA 20V
Q406	55133290	TR-SLPLF KTD1302 B N 300MIOA 20V
Q407	55133290	TR-SLPLF KTD1302 B N 300MIOA 20V
Q408	55133290	TR-SLPLF KTD1302 B N 300MIOA 20V
Q409	55133290	TR-SLPLF KTD1302 B N 300MIOA 20V
Q900	20508080	TR-SLPLF KTC3198BL N 150MIOA
Q951	55101930	TR-SLPLF 2SA933ASR P -3.0A -20V
Q951	55180600	TR-SLPLF 2SA933S P -150MIOA -50V
Q952	55101930	TR-SLPLF 2SA933ASR P -3.0A -20V
Q952	55180600	TR-SLPLF 2SA933S P -150MIOA -50V
Q954	55157120	TR-SLPLF KTC2874 A N 300MIOA 20V
Q954	55179210	TR-SLPSWA KTC2874 B N
Q957	55101930	TR-SLPLF 2SA933ASR P -3.0A -20V
Q957	55180600	TR-SLPLF 2SA933S P -150MIOA -50V
Q959	55157120	TR-SLPLF KTC2874 A N 300MIOA 20V
Q959	55179210	TR-SLPSWA KTC2874 B N
Q960	55157120	TR-SLPLF KTC2874 A N 300MIOA 20V
Q960	55179210	TR-SLPSWA KTC2874 B N
Q961	55101930	TR-SLPLF 2SA933ASR P -3.0A -20V
Q961	55180600	TR-SLPLF 2SA933S P -150MIOA -50V
Q962	55157120	TR-SLPLF KTC2874 A N 300MIOA 20V
Q962	55179210	TR-SLPSWA KTC2874 B N
Q971	55133220	TR-SLPLF DTA114YSA P 100MIOA
R114	11059600	RCF 120R0 OHM +5% 250MIOA
R115	20469460	RCF 2K2 OHM +5% 250MIOA
R130	20469460	RCF 2K2 OHM +5% 250MIOA
R148	11059600	RCF 120R0 OHM +5% 250MIOA
R158	50882950	RCF 100R0 OHM +5% 250MIOA
R159	50882950	RCF 100R0 OHM +5% 250MIOA
R224	60441560	RCF 560R0 OHM +5% 250MIOA
R230	60441560	RCF 560R0 OHM +5% 250MIOA
R231	11059640	RCF 1K0 OHM +5% 250MIOA
R232	11059640	RCF 1K0 OHM +5% 250MIOA
R233	11059640	RCF 1K0 OHM +5% 250MIOA

R239	20469450	RCF 220R0 OHM +5% 250MIOW
R240	11059640	RCF 1K0 OHM +5% 250MIOW
R241	11059640	RCF 1K0 OHM +5% 250MIOW
R242	11059640	RCF 1K0 OHM +5% 250MIOW
R243	20469450	RCF 220R0 OHM +5% 250MIOW
R312	70434200	RMGCFMIN 100R0 OHM +5% 100MIOW
R313	70434200	RMGCFMIN 100R0 OHM +5% 100MIOW
R314	20471950	RMGCFMIN 1K0 OHM +5% 100MIOW
R329	50882950	RCF 100R0 OHM +5% 250MIOW
R332	50882950	RCF 100R0 OHM +5% 250MIOW
R418	40435670	RCF 47K0 OHM +5% 250MIOW
R419	40435670	RCF 47K0 OHM +5% 250MIOW
R420	40435670	RCF 47K0 OHM +5% 250MIOW
R421	40435670	RCF 47K0 OHM +5% 250MIOW
R422	11059780	RCF 1M0 OHM +5% 250MIOW
R423	11059780	RCF 1M0 OHM +5% 250MIOW
R424	11059780	RCF 1M0 OHM +5% 250MIOW
R425	11059780	RCF 1M0 OHM +5% 250MIOW
R468	20469460	RCF 2K2 OHM +5% 250MIOW
R469	20469460	RCF 2K2 OHM +5% 250MIOW
R470	20469460	RCF 2K2 OHM +5% 250MIOW
R471	20469460	RCF 2K2 OHM +5% 250MIOW
R472	20469460	RCF 2K2 OHM +5% 250MIOW
R473	20469460	RCF 2K2 OHM +5% 250MIOW
R474	30939460	RCF 750R0 OHM +5% 250MIOW
R475	11059670	RCF 2K7 OHM +5% 250MIOW
R485	11059640	RCF 1K0 OHM +5% 250MIOW
R901	30939390	RCF 39R0 OHM +5% 250MIOW
R902	30939390	RCF 39R0 OHM +5% 250MIOW
R903	30939390	RCF 39R0 OHM +5% 250MIOW
R904	30939390	RCF 39R0 OHM +5% 250MIOW
R906	30939390	RCF 39R0 OHM +5% 250MIOW
R907	30939390	RCF 39R0 OHM +5% 250MIOW
R908	30939390	RCF 39R0 OHM +5% 250MIOW
R909	30939390	RCF 39R0 OHM +5% 250MIOW
R911	30939390	RCF 39R0 OHM +5% 250MIOW
R912	30939390	RCF 39R0 OHM +5% 250MIOW
R913	30939390	RCF 39R0 OHM +5% 250MIOW
R914	30939390	RCF 39R0 OHM +5% 250MIOW
R916	30939390	RCF 39R0 OHM +5% 250MIOW
R917	30939390	RCF 39R0 OHM +5% 250MIOW
R918	30939390	RCF 39R0 OHM +5% 250MIOW
R919	30939390	RCF 39R0 OHM +5% 250MIOW
R921	30939390	RCF 39R0 OHM +5% 250MIOW
R922	30939390	RCF 39R0 OHM +5% 250MIOW
R923	30939390	RCF 39R0 OHM +5% 250MIOW
R924	30939390	RCF 39R0 OHM +5% 250MIOW
R930	50883000	RCF 3K3 OHM +5% 250MIOW
R931	40435670	RCF 47K0 OHM +5% 250MIOW
R991	11059640	RCF 1K0 OHM +5% 250MIOW
R992	11059640	RCF 1K0 OHM +5% 250MIOW
R993	11059640	RCF 1K0 OHM +5% 250MIOW

PL DWG NO: 55260880

PL TITLE : AC ESABD SMD MAIN BD AVR1500

Pos	Tocom#	SName
0010	55283770	AC PCB MAIN BD AVR1500 SINGLE LAYER
C112	20267290	CCCFMIN 100N0F +80% -20% 50.0V Y5V



C125	20267290	CCCFMIN 100NOF +80% -20% 50.0V Y5V
C126	20267290	CCCFMIN 100NOF +80% -20% 50.0V Y5V
C130	20267290	CCCFMIN 100NOF +80% -20% 50.0V Y5V
C132	20267290	CCCFMIN 100NOF +80% -20% 50.0V Y5V
C141	20267290	CCCFMIN 100NOF +80% -20% 50.0V Y5V
C143	20267290	CCCFMIN 100NOF +80% -20% 50.0V Y5V
C144	11059340	CCCFMIN 10NOF +10% -10% 50.0V X7R
C145	11059340	CCCFMIN 10NOF +10% -10% 50.0V X7R
C200	11058670	CCCFMIN 100POF +5% -5% 50.0V NP0
C201	11058670	CCCFMIN 100POF +5% -5% 50.0V NP0
C202	11058670	CCCFMIN 100POF +5% -5% 50.0V NP0
C203	11058670	CCCFMIN 100POF +5% -5% 50.0V NP0
C204	11058670	CCCFMIN 100POF +5% -5% 50.0V NP0
C205	11058670	CCCFMIN 100POF +5% -5% 50.0V NP0
C206	11058670	CCCFMIN 100POF +5% -5% 50.0V NP0
C207	11058670	CCCFMIN 100POF +5% -5% 50.0V NP0
C208	11058670	CCCFMIN 100POF +5% -5% 50.0V NP0
C209	11058670	CCCFMIN 100POF +5% -5% 50.0V NP0
C210	11058670	CCCFMIN 100POF +5% -5% 50.0V NP0
C211	11058670	CCCFMIN 100POF +5% -5% 50.0V NP0
C212	11058670	CCCFMIN 100POF +5% -5% 50.0V NP0
C213	11058670	CCCFMIN 100POF +5% -5% 50.0V NP0
C214	11058670	CCCFMIN 100POF +5% -5% 50.0V NP0
C215	11058670	CCCFMIN 100POF +5% -5% 50.0V NP0
C220	11058670	CCCFMIN 100POF +5% -5% 50.0V NP0
C221	11058670	CCCFMIN 100POF +5% -5% 50.0V NP0
C222	11058670	CCCFMIN 100POF +5% -5% 50.0V NP0
C223	11058670	CCCFMIN 100POF +5% -5% 50.0V NP0
C224	11058670	CCCFMIN 100POF +5% -5% 50.0V NP0
C225	11058670	CCCFMIN 100POF +5% -5% 50.0V NP0
C226	11058670	CCCFMIN 100POF +5% -5% 50.0V NP0
C227	11058670	CCCFMIN 100POF +5% -5% 50.0V NP0
C228	11058670	CCCFMIN 100POF +5% -5% 50.0V NP0
C229	11058670	CCCFMIN 100POF +5% -5% 50.0V NP0
C230	11058670	CCCFMIN 100POF +5% -5% 50.0V NP0
C231	11058670	CCCFMIN 100POF +5% -5% 50.0V NP0
C244	11058670	CCCFMIN 100POF +5% -5% 50.0V NP0
C245	11058670	CCCFMIN 100POF +5% -5% 50.0V NP0
C246	11058670	CCCFMIN 100POF +5% -5% 50.0V NP0
C247	11058670	CCCFMIN 100POF +5% -5% 50.0V NP0
C248	11058670	CCCFMIN 100POF +5% -5% 50.0V NP0
C249	11058670	CCCFMIN 100POF +5% -5% 50.0V NP0
C319	15049350	CCCFMIN 470NOF +80% -20% 16.0V Y5V
C412	11058670	CCCFMIN 100POF +5% -5% 50.0V NP0
C414	11058670	CCCFMIN 100POF +5% -5% 50.0V NP0
C416	11058670	CCCFMIN 100POF +5% -5% 50.0V NP0
C419	11058670	CCCFMIN 100POF +5% -5% 50.0V NP0
C421	11058670	CCCFMIN 100POF +5% -5% 50.0V NP0
C423	11058670	CCCFMIN 100POF +5% -5% 50.0V NP0
C424	11058670	CCCFMIN 100POF +5% -5% 50.0V NP0
C425	11058670	CCCFMIN 100POF +5% -5% 50.0V NP0
C426	11058670	CCCFMIN 100POF +5% -5% 50.0V NP0
C434	50882360	CCCFMIN 33POF +5% -5% 50.0V NP0
C435	30938730	CCCFMIN 220POF +5% -5% 50.0V NP0
C438	50882360	CCCFMIN 33POF +5% -5% 50.0V NP0
C439	30938730	CCCFMIN 220POF +5% -5% 50.0V NP0
C442	50882360	CCCFMIN 33POF +5% -5% 50.0V NP0
C443	30938730	CCCFMIN 220POF +5% -5% 50.0V NP0
C446	50882360	CCCFMIN 33POF +5% -5% 50.0V NP0
C447	30938730	CCCFMIN 220POF +5% -5% 50.0V NP0
C450	50882360	CCCFMIN 33POF +5% -5% 50.0V NP0

C451	30938730	CCCFMIN 220P0F +5% -5% 50.0V NP0
C454	50882360	CCCFMIN 33P0F +5% -5% 50.0V NP0
C455	30938730	CCCFMIN 220P0F +5% -5% 50.0V NP0
C460	11058670	CCCFMIN 100P0F +5% -5% 50.0V NP0
C952	20267290	CCCFMIN 100N0F +80% -20% 50.0V Y5V
C957	20267290	CCCFMIN 100N0F +80% -20% 50.0V Y5V
C961	11058670	CCCFMIN 100P0F +5% -5% 50.0V NP0
C966	20267290	CCCFMIN 100N0F +80% -20% 50.0V Y5V
C970	11058670	CCCFMIN 100P0F +5% -5% 50.0V NP0
C974	11058670	CCCFMIN 100P0F +5% -5% 50.0V NP0
C975	11058670	CCCFMIN 100P0F +5% -5% 50.0V NP0
C976	20267290	CCCFMIN 100N0F +80% -20% 50.0V Y5V
C979	20267290	CCCFMIN 100N0F +80% -20% 50.0V Y5V
C981	20267290	CCCFMIN 100N0F +80% -20% 50.0V Y5V
C983	20267290	CCCFMIN 100N0F +80% -20% 50.0V Y5V
C984	11058670	CCCFMIN 100P0F +5% -5% 50.0V NP0
C985	11058670	CCCFMIN 100P0F +5% -5% 50.0V NP0
C986	11058670	CCCFMIN 100P0F +5% -5% 50.0V NP0
D122	20496510	D-SLP 1SS355 35.0V 225MIOA
D200	20496510	D-SLP 1SS355 35.0V 225MIOA
D201	20496510	D-SLP 1SS355 35.0V 225MIOA
IC107	20718770	IC-LOGIC BU4053BF MULTIPLEXER CMOS
IC108	20920060	IC-OPERAMP KIA4558F DUAL OP
IC108	20976940	IC-OPERAMP BA4558F DUAL OP
IC202	20920060	IC-OPERAMP KIA4558F DUAL OP
IC202	20976940	IC-OPERAMP BA4558F DUAL OP
IC301	20920060	IC-OPERAMP KIA4558F DUAL OP
IC301	20976940	IC-OPERAMP BA4558F DUAL OP
IC302	20920060	IC-OPERAMP KIA4558F DUAL OP
IC302	20976940	IC-OPERAMP BA4558F DUAL OP
IC303	20920060	IC-OPERAMP KIA4558F DUAL OP
IC303	20976940	IC-OPERAMP BA4558F DUAL OP
IC400	55187340	IC-LOWFREQ M62446FP MITSUBISHI TONE/VOL/BAL/MUTE
IC401	20920060	IC-OPERAMP KIA4558F DUAL OP
IC401	20976940	IC-OPERAMP BA4558F DUAL OP
IC402	20920060	IC-OPERAMP KIA4558F DUAL OP
IC402	20976940	IC-OPERAMP BA4558F DUAL OP
IC403	20920060	IC-OPERAMP KIA4558F DUAL OP
IC403	20976940	IC-OPERAMP BA4558F DUAL OP
IC901	55192900	IC-SWITCH BA7626F SOP16 VIDEO
IC902	55192900	IC-SWITCH BA7626F SOP16 VIDEO
IC903	55192900	IC-SWITCH BA7626F SOP16 VIDEO
IC904	20718660	IC-LOGIC BU4094BF SHIFT REGISTER CMOS
J100	80440510	RMGCFMIN 0 OHM +0% 100MIOW
J101	80440510	RMGCFMIN 0 OHM +0% 100MIOW
J102	80440510	RMGCFMIN 0 OHM +0% 100MIOW
J106	80440510	RMGCFMIN 0 OHM +0% 100MIOW
J107	80440510	RMGCFMIN 0 OHM +0% 100MIOW
J116	80440510	RMGCFMIN 0 OHM +0% 100MIOW
J117	80440510	RMGCFMIN 0 OHM +0% 100MIOW
J119	80440510	RMGCFMIN 0 OHM +0% 100MIOW
J120	80440510	RMGCFMIN 0 OHM +0% 100MIOW
J122	80440510	RMGCFMIN 0 OHM +0% 100MIOW
J123	80440510	RMGCFMIN 0 OHM +0% 100MIOW
J124	80440510	RMGCFMIN 0 OHM +0% 100MIOW
J125	80440510	RMGCFMIN 0 OHM +0% 100MIOW
J126	80440510	RMGCFMIN 0 OHM +0% 100MIOW
J127	80440510	RMGCFMIN 0 OHM +0% 100MIOW
J128	80440510	RMGCFMIN 0 OHM +0% 100MIOW
J129	80440510	RMGCFMIN 0 OHM +0% 100MIOW
J130	80440510	RMGCFMIN 0 OHM +0% 100MIOW

J170	80440510	RMGCFMIN 0 OHM +0% 100MIOW
J211	80440510	RMGCFMIN 0 OHM +0% 100MIOW
J231	80440510	RMGCFMIN 0 OHM +0% 100MIOW
J31	80440510	RMGCFMIN 0 OHM +0% 100MIOW
J601	80440510	RMGCFMIN 0 OHM +0% 100MIOW
J602	80440510	RMGCFMIN 0 OHM +0% 100MIOW
J603	80440510	RMGCFMIN 0 OHM +0% 100MIOW
J604	80440510	RMGCFMIN 0 OHM +0% 100MIOW
Q109	55133190	TR-SSD DTA114YKA P 10K0 OHM 47K0 OHM
Q110	55039430	TR-SSD DTC323TK N 2K2 OHM
Q111	55039430	TR-SSD DTC323TK N 2K2 OHM
R116	50886630	RMGCFMIN 100K0 OHM +5% 100MIOW
R117	11066500	RMGCFMIN 68K0 OHM +5% 100MIOW
R118	11066440	RMGCFMIN 3K3 OHM +5% 100MIOW
R121	40438290	RMGCFMIN 1K5 OHM +5% 100MIOW
R122	90574400	RMGCFMIN 470R0 OHM +5% 100MIOW
R123	20471940	RMGCFMIN 680R0 OHM +5% 100MIOW
R124	60444400	RMGCFMIN 22K0 OHM +5% 100MIOW
R126	11066540	RMGCFMIN 560K0 OHM +5% 100MIOW
R129	11066540	RMGCFMIN 560K0 OHM +5% 100MIOW
R131	11066440	RMGCFMIN 3K3 OHM +5% 100MIOW
R132	80440390	RMGCFMIN 2K2 OHM +5% 100MIOW
R133	50886610	RMGCFMIN 10K0 OHM +5% 100MIOW
R135	50886610	RMGCFMIN 10K0 OHM +5% 100MIOW
R137	20471950	RMGCFMIN 1K0 OHM +5% 100MIOW
R138	80440390	RMGCFMIN 2K2 OHM +5% 100MIOW
R139	30944310	RMGCFMIN 4K7 OHM +5% 100MIOW
R140	30944310	RMGCFMIN 4K7 OHM +5% 100MIOW
R150	50886630	RMGCFMIN 100K0 OHM +5% 100MIOW
R151	50886630	RMGCFMIN 100K0 OHM +5% 100MIOW
R152	20471950	RMGCFMIN 1K0 OHM +5% 100MIOW
R153	20471950	RMGCFMIN 1K0 OHM +5% 100MIOW
R154	50886550	RMGCFMIN 560R0 OHM +5% 100MIOW
R155	50886550	RMGCFMIN 560R0 OHM +5% 100MIOW
R156	50886630	RMGCFMIN 100K0 OHM +5% 100MIOW
R157	50886630	RMGCFMIN 100K0 OHM +5% 100MIOW
R200	90574400	RMGCFMIN 470R0 OHM +5% 100MIOW
R201	90574400	RMGCFMIN 470R0 OHM +5% 100MIOW
R202	90574400	RMGCFMIN 470R0 OHM +5% 100MIOW
R203	90574400	RMGCFMIN 470R0 OHM +5% 100MIOW
R204	90574400	RMGCFMIN 470R0 OHM +5% 100MIOW
R205	90574400	RMGCFMIN 470R0 OHM +5% 100MIOW
R206	90574400	RMGCFMIN 470R0 OHM +5% 100MIOW
R207	90574400	RMGCFMIN 470R0 OHM +5% 100MIOW
R210	90574400	RMGCFMIN 470R0 OHM +5% 100MIOW
R211	90574400	RMGCFMIN 470R0 OHM +5% 100MIOW
R212	90574400	RMGCFMIN 470R0 OHM +5% 100MIOW
R213	90574400	RMGCFMIN 470R0 OHM +5% 100MIOW
R214	90574400	RMGCFMIN 470R0 OHM +5% 100MIOW
R215	90574400	RMGCFMIN 470R0 OHM +5% 100MIOW
R216	20471920	RMGCFMIN 220R0 OHM +5% 100MIOW
R218	50886630	RMGCFMIN 100K0 OHM +5% 100MIOW
R219	11066480	RMGCFMIN 47K0 OHM +5% 100MIOW
R220	90574400	RMGCFMIN 470R0 OHM +5% 100MIOW
R221	50886630	RMGCFMIN 100K0 OHM +5% 100MIOW
R222	20471920	RMGCFMIN 220R0 OHM +5% 100MIOW
R223	50886630	RMGCFMIN 100K0 OHM +5% 100MIOW
R225	11066480	RMGCFMIN 47K0 OHM +5% 100MIOW
R226	90574400	RMGCFMIN 470R0 OHM +5% 100MIOW
R227	50886630	RMGCFMIN 100K0 OHM +5% 100MIOW
R228	20471920	RMGCFMIN 220R0 OHM +5% 100MIOW

R229	50886630	RMGCFMIN 100K0 OHM +5% 100MIOW
R234	20471920	RMGCFMIN 220R0 OHM +5% 100MIOW
R236	50886630	RMGCFMIN 100K0 OHM +5% 100MIOW
R237	50886630	RMGCFMIN 100K0 OHM +5% 100MIOW
R238	50886630	RMGCFMIN 100K0 OHM +5% 100MIOW
R244	50886630	RMGCFMIN 100K0 OHM +5% 100MIOW
R245	50886630	RMGCFMIN 100K0 OHM +5% 100MIOW
R291	50886630	RMGCFMIN 100K0 OHM +5% 100MIOW
R292	50886630	RMGCFMIN 100K0 OHM +5% 100MIOW
R293	50886630	RMGCFMIN 100K0 OHM +5% 100MIOW
R294	50886630	RMGCFMIN 100K0 OHM +5% 100MIOW
R320	50886550	RMGCFMIN 560R0 OHM +5% 100MIOW
R321	50886630	RMGCFMIN 100K0 OHM +5% 100MIOW
R324	70434200	RMGCFMIN 100R0 OHM +5% 100MIOW
R325	70434200	RMGCFMIN 100R0 OHM +5% 100MIOW
R326	50886630	RMGCFMIN 100K0 OHM +5% 100MIOW
R327	70434230	RMGCFMIN 1K2 OHM +5% 100MIOW
R328	80440390	RMGCFMIN 2K2 OHM +5% 100MIOW
R330	70434230	RMGCFMIN 1K2 OHM +5% 100MIOW
R331	80440390	RMGCFMIN 2K2 OHM +5% 100MIOW
R333	11066440	RMGCFMIN 3K3 OHM +5% 100MIOW
R334	11066440	RMGCFMIN 3K3 OHM +5% 100MIOW
R335	11066440	RMGCFMIN 3K3 OHM +5% 100MIOW
R336	11066440	RMGCFMIN 3K3 OHM +5% 100MIOW
R337	11066440	RMGCFMIN 3K3 OHM +5% 100MIOW
R338	11066440	RMGCFMIN 3K3 OHM +5% 100MIOW
R339	60444370	RMGCFMIN 180R0 OHM +5% 100MIOW
R340	60444370	RMGCFMIN 180R0 OHM +5% 100MIOW
R341	20471950	RMGCFMIN 1K0 OHM +5% 100MIOW
R342	20471950	RMGCFMIN 1K0 OHM +5% 100MIOW
R391	11066480	RMGCFMIN 47K0 OHM +5% 100MIOW
R392	80440480	RMGCFMIN 3M3 OHM +5% 100MIOW
R393	50886630	RMGCFMIN 100K0 OHM +5% 100MIOW
R402	70434200	RMGCFMIN 100R0 OHM +5% 100MIOW
R403	70434200	RMGCFMIN 100R0 OHM +5% 100MIOW
R404	15268430	RMGCFMIN 1R0 OHM +5% 100MIOW
R405	15268430	RMGCFMIN 1R0 OHM +5% 100MIOW
R408	60444390	RMGCFMIN 3K9 OHM +5% 100MIOW
R409	60444390	RMGCFMIN 3K9 OHM +5% 100MIOW
R410	60444390	RMGCFMIN 3K9 OHM +5% 100MIOW
R412	60444390	RMGCFMIN 3K9 OHM +5% 100MIOW
R413	60444390	RMGCFMIN 3K9 OHM +5% 100MIOW
R414	60444390	RMGCFMIN 3K9 OHM +5% 100MIOW
R415	20471950	RMGCFMIN 1K0 OHM +5% 100MIOW
R416	20471950	RMGCFMIN 1K0 OHM +5% 100MIOW
R417	20471950	RMGCFMIN 1K0 OHM +5% 100MIOW
R426	70434200	RMGCFMIN 100R0 OHM +5% 100MIOW
R427	70434200	RMGCFMIN 100R0 OHM +5% 100MIOW
R428	70434200	RMGCFMIN 100R0 OHM +5% 100MIOW
R429	70434200	RMGCFMIN 100R0 OHM +5% 100MIOW
R430	70434200	RMGCFMIN 100R0 OHM +5% 100MIOW
R431	70434200	RMGCFMIN 100R0 OHM +5% 100MIOW
R432	50886550	RMGCFMIN 560R0 OHM +5% 100MIOW
R433	50886630	RMGCFMIN 100K0 OHM +5% 100MIOW
R434	20471950	RMGCFMIN 1K0 OHM +5% 100MIOW
R435	11066460	RMGCFMIN 8K2 OHM +5% 100MIOW
R436	50886630	RMGCFMIN 100K0 OHM +5% 100MIOW
R437	20471950	RMGCFMIN 1K0 OHM +5% 100MIOW
R438	50886550	RMGCFMIN 560R0 OHM +5% 100MIOW
R439	50886630	RMGCFMIN 100K0 OHM +5% 100MIOW
R440	20471950	RMGCFMIN 1K0 OHM +5% 100MIOW

R441	11066460	RMGCFMIN 8K2 OHM +5% 100MIOW
R442	50886630	RMGCFMIN 100K0 OHM +5% 100MIOW
R443	20471950	RMGCFMIN 1K0 OHM +5% 100MIOW
R444	50886550	RMGCFMIN 560R0 OHM +5% 100MIOW
R445	50886630	RMGCFMIN 100K0 OHM +5% 100MIOW
R446	20471950	RMGCFMIN 1K0 OHM +5% 100MIOW
R447	11066460	RMGCFMIN 8K2 OHM +5% 100MIOW
R448	50886630	RMGCFMIN 100K0 OHM +5% 100MIOW
R449	20471950	RMGCFMIN 1K0 OHM +5% 100MIOW
R450	50886550	RMGCFMIN 560R0 OHM +5% 100MIOW
R451	50886630	RMGCFMIN 100K0 OHM +5% 100MIOW
R452	20471950	RMGCFMIN 1K0 OHM +5% 100MIOW
R453	11066460	RMGCFMIN 8K2 OHM +5% 100MIOW
R454	50886630	RMGCFMIN 100K0 OHM +5% 100MIOW
R455	20471950	RMGCFMIN 1K0 OHM +5% 100MIOW
R456	50886550	RMGCFMIN 560R0 OHM +5% 100MIOW
R457	50886630	RMGCFMIN 100K0 OHM +5% 100MIOW
R458	20471950	RMGCFMIN 1K0 OHM +5% 100MIOW
R459	11066460	RMGCFMIN 8K2 OHM +5% 100MIOW
R460	50886630	RMGCFMIN 100K0 OHM +5% 100MIOW
R461	20471950	RMGCFMIN 1K0 OHM +5% 100MIOW
R462	50886550	RMGCFMIN 560R0 OHM +5% 100MIOW
R463	50886630	RMGCFMIN 100K0 OHM +5% 100MIOW
R464	90574410	RMGCFMIN 910R0 OHM +5% 100MIOW
R465	30944340	RMGCFMIN 27K0 OHM +5% 100MIOW
R466	50886630	RMGCFMIN 100K0 OHM +5% 100MIOW
R467	20471950	RMGCFMIN 1K0 OHM +5% 100MIOW
R478	20471950	RMGCFMIN 1K0 OHM +5% 100MIOW
R479	20471950	RMGCFMIN 1K0 OHM +5% 100MIOW
R480	20471950	RMGCFMIN 1K0 OHM +5% 100MIOW
R482	20471950	RMGCFMIN 1K0 OHM +5% 100MIOW
R483	20471950	RMGCFMIN 1K0 OHM +5% 100MIOW
R484	20471950	RMGCFMIN 1K0 OHM +5% 100MIOW
R951	90574370	RMGCFMIN 82R0 OHM +5% 100MIOW
R952	30944250	RMGCFMIN 10R0 OHM +5% 100MIOW
R953	90574370	RMGCFMIN 82R0 OHM +5% 100MIOW
R954	90574370	RMGCFMIN 82R0 OHM +5% 100MIOW
R955	90574370	RMGCFMIN 82R0 OHM +5% 100MIOW
R956	30944250	RMGCFMIN 10R0 OHM +5% 100MIOW
R957	90574370	RMGCFMIN 82R0 OHM +5% 100MIOW
R958	90574370	RMGCFMIN 82R0 OHM +5% 100MIOW
R959	50886610	RMGCFMIN 10K0 OHM +5% 100MIOW
R960	11066390	RMGCFMIN 75R0 OHM +5% 100MIOW
R965	90574370	RMGCFMIN 82R0 OHM +5% 100MIOW
R966	30944250	RMGCFMIN 10R0 OHM +5% 100MIOW
R969	50886610	RMGCFMIN 10K0 OHM +5% 100MIOW
R970	11066390	RMGCFMIN 75R0 OHM +5% 100MIOW
R971	11066390	RMGCFMIN 75R0 OHM +5% 100MIOW
R972	50886610	RMGCFMIN 10K0 OHM +5% 100MIOW
R973	50886610	RMGCFMIN 10K0 OHM +5% 100MIOW
R974	11066390	RMGCFMIN 75R0 OHM +5% 100MIOW
R979	70434200	RMGCFMIN 100R0 OHM +5% 100MIOW
R980	70434200	RMGCFMIN 100R0 OHM +5% 100MIOW
R982	20471950	RMGCFMIN 1K0 OHM +5% 100MIOW
R985	70434200	RMGCFMIN 100R0 OHM +5% 100MIOW
R987	20471950	RMGCFMIN 1K0 OHM +5% 100MIOW
R988	70434200	RMGCFMIN 100R0 OHM +5% 100MIOW
R989	20471950	RMGCFMIN 1K0 OHM +5% 100MIOW
R990	20471950	RMGCFMIN 1K0 OHM +5% 100MIOW
R994	20471990	RMGCFMIN 12K0 OHM +5% 100MIOW
R995	50886630	RMGCFMIN 100K0 OHM +5% 100MIOW

R996	50886630	RMGCFMIN 100K0 OHM +5% 100MI0W
R997	50886630	RMGCFMIN 100K0 OHM +5% 100MI0W

PL DWG NO: 55260770

PL TITLE : AC EMBD IMA AMP BD AVR1500

Pos	Tocom#	SName
0010	55260830	AC ESABD IAU AMP BD AVR1500
0020	20290150	SOLDER BAR 52SN/45PB/3SB BAR
0030	15481260	SLDC FLUX LRES FOAM SM32DHT-2
0040	20290240	SOLDER ALPHA RELIA. II 60/40 SOLDER WIRE 1.27 MM
C608	11054760	CE 100U0F +20% 63.0V 85C
C609	11054760	CE 100U0F +20% 63.0V 85C
C622	11054760	CE 100U0F +20% 63.0V 85C
C623	11054760	CE 100U0F +20% 63.0V 85C
C636	11054760	CE 100U0F +20% 63.0V 85C
C637	11054760	CE 100U0F +20% 63.0V 85C
C649	11054760	CE 100U0F +20% 63.0V 85C
C650	11054760	CE 100U0F +20% 63.0V 85C
C662	11054760	CE 100U0F +20% 63.0V 85C
C663	11054760	CE 100U0F +20% 63.0V 85C
CN503	55184160	WIRECONASY UNIQUE 5P 680MM UL1007 PVC DISCRETE 22
CP308	55177620	CONN 2.5MM 3 MA ST NAT 0 0
CP501	55177610	CONN 2.5MM 7 MA ST WH 0 0
CP502	55090050	CONN 2.0MM 10 MA ST NAT LW2002P10 0 0
MR601	55134140	RMOF 390MIO OHM +5% 3.0W
MR602	55134140	RMOF 390MIO OHM +5% 3.0W
MR603	55134140	RMOF 390MIO OHM +5% 3.0W
MR604	55134140	RMOF 390MIO OHM +5% 3.0W
MR605	55134140	RMOF 390MIO OHM +5% 3.0W
MR606	55134140	RMOF 390MIO OHM +5% 3.0W
MR607	55134140	RMOF 390MIO OHM +5% 3.0W
MR608	55134140	RMOF 390MIO OHM +5% 3.0W
MR609	55134140	RMOF 390MIO OHM +5% 3.0W
MR610	55134140	RMOF 390MIO OHM +5% 3.0W
Q608	55133270	TR-SHPLF 2SC4137 N 100MIOA 20V
Q613	55125560	TR-SLPSWA 2SD2389 TO3P N
Q614	55125550	TR-SLPSWA 2SB1559 TO3P P
Q623	55133270	TR-SHPLF 2SC4137 N 100MIOA 20V
Q628	55125560	TR-SLPSWA 2SD2389 TO3P N
Q629	55125550	TR-SLPSWA 2SB1559 TO3P P
Q638	55133270	TR-SHPLF 2SC4137 N 100MIOA 20V
Q643	55125560	TR-SLPSWA 2SD2389 TO3P N
Q644	55125550	TR-SLPSWA 2SB1559 TO3P P
Q653	55133270	TR-SHPLF 2SC4137 N 100MIOA 20V
Q658	55125560	TR-SLPSWA 2SD2389 TO3P N
Q659	55125550	TR-SLPSWA 2SB1559 TO3P P
Q668	55133270	TR-SHPLF 2SC4137 N 100MIOA 20V
Q673	55125560	TR-SLPSWA 2SD2389 TO3P N
Q674	55125550	TR-SLPSWA 2SB1559 TO3P P

PL DWG NO: 55260830

PL TITLE : AC ESABD IAU AMP BD AVR1500

Pos	Tocom#	SName
0010	55244050	AC PCB AMP BD DCR600MKII SINGLE LAYER
C601	20178680	CE 4U7F +20% 50.0V 85C
C602	20936650	CC 100P0F +10% -10% 50.0V Y5P
C603	55126070	CC 680P0F +10% -10% 50.0V 2B4
C604	20251930	CE 22U0F +20% 16.0V 85C

C605	20247150	CE 33U0F +20% 25.0V 85C
C606	20267830	CE 47U0F +20% 16.0V 85C
C607	14039240	CC 15P0F +5% -5% 50.0V SL
C610	13055500	CE 10U0F +20% 50.0V 85C
C612	13055500	CE 10U0F +20% 50.0V 85C
C615	20178680	CE 4U7F +20% 50.0V 85C
C616	20936650	CC 100P0F +10% -10% 50.0V Y5P
C617	55126070	CC 680P0F +10% -10% 50.0V 2B4
C618	20251930	CE 22U0F +20% 16.0V 85C
C619	20247150	CE 33U0F +20% 25.0V 85C
C620	20267830	CE 47U0F +20% 16.0V 85C
C621	14039240	CC 15P0F +5% -5% 50.0V SL
C624	13055500	CE 10U0F +20% 50.0V 85C
C626	13055500	CE 10U0F +20% 50.0V 85C
C629	20178680	CE 4U7F +20% 50.0V 85C
C630	20936650	CC 100P0F +10% -10% 50.0V Y5P
C631	55126070	CC 680P0F +10% -10% 50.0V 2B4
C632	20251930	CE 22U0F +20% 16.0V 85C
C633	20247150	CE 33U0F +20% 25.0V 85C
C634	20267830	CE 47U0F +20% 16.0V 85C
C635	14039240	CC 15P0F +5% -5% 50.0V SL
C638	13055500	CE 10U0F +20% 50.0V 85C
C639	13055500	CE 10U0F +20% 50.0V 85C
C642	20178680	CE 4U7F +20% 50.0V 85C
C643	20936650	CC 100P0F +10% -10% 50.0V Y5P
C644	55126070	CC 680P0F +10% -10% 50.0V 2B4
C645	20251930	CE 22U0F +20% 16.0V 85C
C646	20247150	CE 33U0F +20% 25.0V 85C
C647	20267830	CE 47U0F +20% 16.0V 85C
C648	14039240	CC 15P0F +5% -5% 50.0V SL
C651	13055500	CE 10U0F +20% 50.0V 85C
C652	13055500	CE 10U0F +20% 50.0V 85C
C655	20178680	CE 4U7F +20% 50.0V 85C
C656	20936650	CC 100P0F +10% -10% 50.0V Y5P
C657	55126070	CC 680P0F +10% -10% 50.0V 2B4
C658	20251930	CE 22U0F +20% 16.0V 85C
C659	20247150	CE 33U0F +20% 25.0V 85C
C660	20267830	CE 47U0F +20% 16.0V 85C
C661	14039240	CC 15P0F +5% -5% 50.0V SL
C664	13055500	CE 10U0F +20% 50.0V 85C
C665	13055500	CE 10U0F +20% 50.0V 85C
C668	20267420	CE 1U0F +20% 50.0V 105C
D601	70436540	D-SLP 1N4148 100.0V 150E-3A
D602	70436540	D-SLP 1N4148 100.0V 150E-3A
D603	70436540	D-SLP 1N4148 100.0V 150E-3A
D604	70436540	D-SLP 1N4148 100.0V 150E-3A
D605	70436540	D-SLP 1N4148 100.0V 150E-3A
D606	70436540	D-SLP 1N4148 100.0V 150E-3A
D607	70436540	D-SLP 1N4148 100.0V 150E-3A
D608	70436540	D-SLP 1N4148 100.0V 150E-3A
D609	70436540	D-SLP 1N4148 100.0V 150E-3A
D610	70436540	D-SLP 1N4148 100.0V 150E-3A
J1	20441180	BCL 0.5MM TIN ANNEALED COPPER 10.0MM 8MM FIG 1 20322610
J10	20441250	BCL 0.5MM TIN ANNEALED COPPER 12.5MM 8MM FIG 1 20322610
J100	20441180	BCL 0.5MM TIN ANNEALED COPPER 10.0MM 8MM FIG 1 20322610
J101	20441180	BCL 0.5MM TIN ANNEALED COPPER 10.0MM 8MM FIG 1 20322610
J102	20441180	BCL 0.5MM TIN ANNEALED COPPER 10.0MM 8MM FIG 1 20322610
J103	20441180	BCL 0.5MM TIN ANNEALED COPPER 10.0MM 8MM FIG 1 20322610
J104	20441180	BCL 0.5MM TIN ANNEALED COPPER 10.0MM 8MM FIG 1 20322610
J105	20441180	BCL 0.5MM TIN ANNEALED COPPER 10.0MM 8MM FIG 1 20322610
J106	20441180	BCL 0.5MM TIN ANNEALED COPPER 10.0MM 8MM FIG 1 20322610







J733	20441250	BCL 0.5MM TIN ANNEALED COPPER 12.5MM 8MM FIG 1 20322610
J734	20441180	BCL 0.5MM TIN ANNEALED COPPER 10.0MM 8MM FIG 1 20322610
J735	20441180	BCL 0.5MM TIN ANNEALED COPPER 10.0MM 8MM FIG 1 20322610
J753	20441180	BCL 0.5MM TIN ANNEALED COPPER 10.0MM 8MM FIG 1 20322610
J754	20441180	BCL 0.5MM TIN ANNEALED COPPER 10.0MM 8MM FIG 1 20322610
J79	20441180	BCL 0.5MM TIN ANNEALED COPPER 10.0MM 8MM FIG 1 20322610
J8	20441210	BCL 0.5MM TIN ANNEALED COPPER 20.0MM 8MM FIG 1 20322610
J80	20441180	BCL 0.5MM TIN ANNEALED COPPER 10.0MM 8MM FIG 1 20322610
J81	20441180	BCL 0.5MM TIN ANNEALED COPPER 10.0MM 8MM FIG 1 20322610
J82	20441180	BCL 0.5MM TIN ANNEALED COPPER 10.0MM 8MM FIG 1 20322610
J83	20441180	BCL 0.5MM TIN ANNEALED COPPER 10.0MM 8MM FIG 1 20322610
J84	20441180	BCL 0.5MM TIN ANNEALED COPPER 10.0MM 8MM FIG 1 20322610
J85	20441180	BCL 0.5MM TIN ANNEALED COPPER 10.0MM 8MM FIG 1 20322610
J86	20441180	BCL 0.5MM TIN ANNEALED COPPER 10.0MM 8MM FIG 1 20322610
J87	20441180	BCL 0.5MM TIN ANNEALED COPPER 10.0MM 8MM FIG 1 20322610
J88	20441180	BCL 0.5MM TIN ANNEALED COPPER 10.0MM 8MM FIG 1 20322610
J89	20441180	BCL 0.5MM TIN ANNEALED COPPER 10.0MM 8MM FIG 1 20322610
J9	20441180	BCL 0.5MM TIN ANNEALED COPPER 10.0MM 8MM FIG 1 20322610
J90	20441180	BCL 0.5MM TIN ANNEALED COPPER 10.0MM 8MM FIG 1 20322610
J91	20441180	BCL 0.5MM TIN ANNEALED COPPER 10.0MM 8MM FIG 1 20322610
J92	20441180	BCL 0.5MM TIN ANNEALED COPPER 10.0MM 8MM FIG 1 20322610
J93	20441180	BCL 0.5MM TIN ANNEALED COPPER 10.0MM 8MM FIG 1 20322610
J94	20441180	BCL 0.5MM TIN ANNEALED COPPER 10.0MM 8MM FIG 1 20322610
J95	20441180	BCL 0.5MM TIN ANNEALED COPPER 10.0MM 8MM FIG 1 20322610
J96	20441180	BCL 0.5MM TIN ANNEALED COPPER 10.0MM 8MM FIG 1 20322610
J97	20441180	BCL 0.5MM TIN ANNEALED COPPER 10.0MM 8MM FIG 1 20322610
J98	20441180	BCL 0.5MM TIN ANNEALED COPPER 10.0MM 8MM FIG 1 20322610
J99	20441180	BCL 0.5MM TIN ANNEALED COPPER 10.0MM 8MM FIG 1 20322610
Q601	55133230	TR-SLPLF KTA1268 GR P 100MIOA -120V
Q602	55133230	TR-SLPLF KTA1268 GR P 100MIOA -120V
Q603	55133230	TR-SLPLF KTA1268 GR P 100MIOA -120V
Q604	20508210	TR-SLPLF KTA1266 Y P 150MIOA
Q605	20556600	TR-SHPLF KTC3200BL N 100MIOA 120V
Q606	55133230	TR-SLPLF KTA1268 GR P 100MIOA -120V
Q607	20556600	TR-SHPLF KTC3200BL N 100MIOA 120V
Q609	55133260	TR-SLPLF KTA1024 Y P 50MIOA -150V
Q610	55133240	TR-SLPLF KTC3206 Y N 50MIOA 150V
Q615	20556600	TR-SHPLF KTC3200BL N 100MIOA 120V
Q616	55133230	TR-SLPLF KTA1268 GR P 100MIOA -120V
Q617	55133230	TR-SLPLF KTA1268 GR P 100MIOA -120V
Q618	55133230	TR-SLPLF KTA1268 GR P 100MIOA -120V
Q619	20508210	TR-SLPLF KTA1266 Y P 150MIOA
Q620	20556600	TR-SHPLF KTC3200BL N 100MIOA 120V
Q621	55133230	TR-SLPLF KTA1268 GR P 100MIOA -120V
Q622	20556600	TR-SHPLF KTC3200BL N 100MIOA 120V
Q624	55133260	TR-SLPLF KTA1024 Y P 50MIOA -150V
Q625	55133240	TR-SLPLF KTC3206 Y N 50MIOA 150V
Q630	20556600	TR-SHPLF KTC3200BL N 100MIOA 120V
Q631	55133230	TR-SLPLF KTA1268 GR P 100MIOA -120V
Q632	55133230	TR-SLPLF KTA1268 GR P 100MIOA -120V
Q633	55133230	TR-SLPLF KTA1268 GR P 100MIOA -120V
Q634	20508210	TR-SLPLF KTA1266 Y P 150MIOA
Q635	20556600	TR-SHPLF KTC3200BL N 100MIOA 120V
Q636	55133230	TR-SLPLF KTA1268 GR P 100MIOA -120V
Q637	20556600	TR-SHPLF KTC3200BL N 100MIOA 120V
Q639	55133260	TR-SLPLF KTA1024 Y P 50MIOA -150V
Q640	55133240	TR-SLPLF KTC3206 Y N 50MIOA 150V
Q645	20556600	TR-SHPLF KTC3200BL N 100MIOA 120V
Q646	55133230	TR-SLPLF KTA1268 GR P 100MIOA -120V
Q647	55133230	TR-SLPLF KTA1268 GR P 100MIOA -120V
Q648	55133230	TR-SLPLF KTA1268 GR P 100MIOA -120V

Q649	20508210	TR-SLPLF KTA1266 Y P 150MIOA
Q650	20556600	TR-SHPLF KTC3200BL N 100MIOA 120V
Q651	55133230	TR-SLPLF KTA1268 GR P 100MIOA -120V
Q652	20556600	TR-SHPLF KTC3200BL N 100MIOA 120V
Q654	55133260	TR-SLPLF KTA1024 Y P 50MIOA -150V
Q655	55133240	TR-SLPLF KTC3206 Y N 50MIOA 150V
Q660	20556600	TR-SHPLF KTC3200BL N 100MIOA 120V
Q661	55133230	TR-SLPLF KTA1268 GR P 100MIOA -120V
Q662	55133230	TR-SLPLF KTA1268 GR P 100MIOA -120V
Q663	55133230	TR-SLPLF KTA1268 GR P 100MIOA -120V
Q664	20508210	TR-SLPLF KTA1266 Y P 150MIOA
Q665	20556600	TR-SHPLF KTC3200BL N 100MIOA 120V
Q666	55133230	TR-SLPLF KTA1268 GR P 100MIOA -120V
Q667	20556600	TR-SHPLF KTC3200BL N 100MIOA 120V
Q669	55133260	TR-SLPLF KTA1024 Y P 50MIOA -150V
Q670	55133240	TR-SLPLF KTC3206 Y N 50MIOA 150V
Q675	20556600	TR-SHPLF KTC3200BL N 100MIOA 120V
Q676	55133210	TR-SLPLF DTC114YSA N 100MIOA
R601	11059640	RCF 1K0 OHM +5% 250MIOW
R602	30939490	RCF 33K0 OHM +5% 250MIOW
R603	30939370	RCF 15R0 OHM +5% 250MIOW
R604	30939370	RCF 15R0 OHM +5% 250MIOW
R605	11059630	RCF 680R0 OHM +5% 250MIOW
R606	30939460	RCF 750R0 OHM +5% 250MIOW
R607	30939460	RCF 750R0 OHM +5% 250MIOW
R608	50882940	RCF 68R0 OHM +5% 250MIOW
R609	50882960	RCF 150R0 OHM +5% 250MIOW
R610	30939480	RCF 10K0 OHM +5% 250MIOW
R611	20469510	RCF 43K0 OHM +5% 250MIOW
R612	30939490	RCF 33K0 OHM +5% 250MIOW
R613	20469460	RCF 2K2 OHM +5% 250MIOW
R614	60441560	RCF 560R0 OHM +5% 250MIOW
R615	60441560	RCF 560R0 OHM +5% 250MIOW
R616	60441560	RCF 560R0 OHM +5% 250MIOW
R617	60441560	RCF 560R0 OHM +5% 250MIOW
R618	60441560	RCF 560R0 OHM +5% 250MIOW
R619	60441560	RCF 560R0 OHM +5% 250MIOW
R620	60441560	RCF 560R0 OHM +5% 250MIOW
R621	60441580	RCF 22K0 OHM +5% 250MIOW
R622	60441580	RCF 22K0 OHM +5% 250MIOW
R623	50882980	RCF 820R0 OHM +5% 250MIOW
R624	80436990	RCF 910R0 OHM +5% 250MIOW
R625	80437000	RCF 1K2 OHM +5% 250MIOW
R626	11059590	RCF 82R0 OHM +5% 250MIOW
R627	11059590	RCF 82R0 OHM +5% 250MIOW
R628	70434970	RCF 3R3 OHM +5% 250MIOW
R629	70434970	RCF 3R3 OHM +5% 250MIOW
R630	50882950	RCF 100R0 OHM +5% 250MIOW
R631	50882950	RCF 100R0 OHM +5% 250MIOW
R635	80437010	RCF 1K8 OHM +5% 250MIOW
R636	20469460	RCF 2K2 OHM +5% 250MIOW
R637	80436990	RCF 910R0 OHM +5% 250MIOW
R642	20469490	RCF 6K8 OHM +5% 250MIOW
R643	11059640	RCF 1K0 OHM +5% 250MIOW
R644	30939490	RCF 33K0 OHM +5% 250MIOW
R645	30939370	RCF 15R0 OHM +5% 250MIOW
R646	30939370	RCF 15R0 OHM +5% 250MIOW
R647	11059630	RCF 680R0 OHM +5% 250MIOW
R648	30939460	RCF 750R0 OHM +5% 250MIOW
R649	30939460	RCF 750R0 OHM +5% 250MIOW
R650	50882940	RCF 68R0 OHM +5% 250MIOW

R651	50882960	RCF 150R0 OHM +5% 250MIOW
R652	30939480	RCF 10K0 OHM +5% 250MIOW
R653	20469510	RCF 43K0 OHM +5% 250MIOW
R654	30939490	RCF 33K0 OHM +5% 250MIOW
R655	20469460	RCF 2K2 OHM +5% 250MIOW
R656	60441560	RCF 560R0 OHM +5% 250MIOW
R657	60441560	RCF 560R0 OHM +5% 250MIOW
R658	60441560	RCF 560R0 OHM +5% 250MIOW
R659	60441560	RCF 560R0 OHM +5% 250MIOW
R660	60441560	RCF 560R0 OHM +5% 250MIOW
R661	60441560	RCF 560R0 OHM +5% 250MIOW
R662	60441560	RCF 560R0 OHM +5% 250MIOW
R663	60441580	RCF 22K0 OHM +5% 250MIOW
R664	60441580	RCF 22K0 OHM +5% 250MIOW
R665	50882980	RCF 820R0 OHM +5% 250MIOW
R666	80436990	RCF 910R0 OHM +5% 250MIOW
R667	80437000	RCF 1K2 OHM +5% 250MIOW
R668	11059590	RCF 82R0 OHM +5% 250MIOW
R669	11059590	RCF 82R0 OHM +5% 250MIOW
R670	70434970	RCF 3R3 OHM +5% 250MIOW
R671	70434970	RCF 3R3 OHM +5% 250MIOW
R672	50882950	RCF 100R0 OHM +5% 250MIOW
R673	50882950	RCF 100R0 OHM +5% 250MIOW
R677	80437010	RCF 1K8 OHM +5% 250MIOW
R678	20469460	RCF 2K2 OHM +5% 250MIOW
R679	80436990	RCF 910R0 OHM +5% 250MIOW
R684	20469490	RCF 6K8 OHM +5% 250MIOW
R685	11059640	RCF 1K0 OHM +5% 250MIOW
R686	30939490	RCF 33K0 OHM +5% 250MIOW
R687	30939370	RCF 15R0 OHM +5% 250MIOW
R688	30939370	RCF 15R0 OHM +5% 250MIOW
R689	11059630	RCF 680R0 OHM +5% 250MIOW
R690	30939460	RCF 750R0 OHM +5% 250MIOW
R691	30939460	RCF 750R0 OHM +5% 250MIOW
R692	50882940	RCF 68R0 OHM +5% 250MIOW
R693	50882960	RCF 150R0 OHM +5% 250MIOW
R694	30939480	RCF 10K0 OHM +5% 250MIOW
R695	20469510	RCF 43K0 OHM +5% 250MIOW
R696	30939490	RCF 33K0 OHM +5% 250MIOW
R697	20469460	RCF 2K2 OHM +5% 250MIOW
R698	60441560	RCF 560R0 OHM +5% 250MIOW
R699	60441560	RCF 560R0 OHM +5% 250MIOW
R700	60441560	RCF 560R0 OHM +5% 250MIOW
R701	60441560	RCF 560R0 OHM +5% 250MIOW
R702	60441560	RCF 560R0 OHM +5% 250MIOW
R703	60441560	RCF 560R0 OHM +5% 250MIOW
R704	60441560	RCF 560R0 OHM +5% 250MIOW
R705	60441580	RCF 22K0 OHM +5% 250MIOW
R706	60441580	RCF 22K0 OHM +5% 250MIOW
R707	50882980	RCF 820R0 OHM +5% 250MIOW
R708	80436990	RCF 910R0 OHM +5% 250MIOW
R709	80437000	RCF 1K2 OHM +5% 250MIOW
R710	11059590	RCF 82R0 OHM +5% 250MIOW
R711	11059590	RCF 82R0 OHM +5% 250MIOW
R712	70434970	RCF 3R3 OHM +5% 250MIOW
R713	70434970	RCF 3R3 OHM +5% 250MIOW
R714	50882950	RCF 100R0 OHM +5% 250MIOW
R715	50882950	RCF 100R0 OHM +5% 250MIOW
R719	80437010	RCF 1K8 OHM +5% 250MIOW
R720	20469460	RCF 2K2 OHM +5% 250MIOW
R721	80436990	RCF 910R0 OHM +5% 250MIOW

R726	20469490	RCF 6K8 OHM +5% 250MIOW
R727	11059640	RCF 1K0 OHM +5% 250MIOW
R728	30939490	RCF 33K0 OHM +5% 250MIOW
R729	30939370	RCF 15R0 OHM +5% 250MIOW
R730	30939370	RCF 15R0 OHM +5% 250MIOW
R731	11059630	RCF 680R0 OHM +5% 250MIOW
R732	30939460	RCF 750R0 OHM +5% 250MIOW
R733	30939460	RCF 750R0 OHM +5% 250MIOW
R734	50882940	RCF 68R0 OHM +5% 250MIOW
R735	50882960	RCF 150R0 OHM +5% 250MIOW
R736	30939480	RCF 10K0 OHM +5% 250MIOW
R737	20469510	RCF 43K0 OHM +5% 250MIOW
R738	30939490	RCF 33K0 OHM +5% 250MIOW
R739	20469460	RCF 2K2 OHM +5% 250MIOW
R740	60441560	RCF 560R0 OHM +5% 250MIOW
R741	60441560	RCF 560R0 OHM +5% 250MIOW
R742	60441560	RCF 560R0 OHM +5% 250MIOW
R743	60441560	RCF 560R0 OHM +5% 250MIOW
R744	60441560	RCF 560R0 OHM +5% 250MIOW
R745	60441560	RCF 560R0 OHM +5% 250MIOW
R746	60441560	RCF 560R0 OHM +5% 250MIOW
R747	60441580	RCF 22K0 OHM +5% 250MIOW
R748	60441580	RCF 22K0 OHM +5% 250MIOW
R749	50882980	RCF 820R0 OHM +5% 250MIOW
R750	80436990	RCF 910R0 OHM +5% 250MIOW
R751	80437000	RCF 1K2 OHM +5% 250MIOW
R752	11059590	RCF 82R0 OHM +5% 250MIOW
R753	11059590	RCF 82R0 OHM +5% 250MIOW
R754	70434970	RCF 3R3 OHM +5% 250MIOW
R755	70434970	RCF 3R3 OHM +5% 250MIOW
R756	50882950	RCF 100R0 OHM +5% 250MIOW
R757	50882950	RCF 100R0 OHM +5% 250MIOW
R761	80437010	RCF 1K8 OHM +5% 250MIOW
R762	20469460	RCF 2K2 OHM +5% 250MIOW
R763	80436990	RCF 910R0 OHM +5% 250MIOW
R764	20469490	RCF 6K8 OHM +5% 250MIOW
R765	11059640	RCF 1K0 OHM +5% 250MIOW
R766	30939490	RCF 33K0 OHM +5% 250MIOW
R767	30939370	RCF 15R0 OHM +5% 250MIOW
R768	30939370	RCF 15R0 OHM +5% 250MIOW
R769	11059630	RCF 680R0 OHM +5% 250MIOW
R770	30939460	RCF 750R0 OHM +5% 250MIOW
R771	30939460	RCF 750R0 OHM +5% 250MIOW
R772	50882940	RCF 68R0 OHM +5% 250MIOW
R773	50882960	RCF 150R0 OHM +5% 250MIOW
R774	30939480	RCF 10K0 OHM +5% 250MIOW
R775	20469510	RCF 43K0 OHM +5% 250MIOW
R776	30939490	RCF 33K0 OHM +5% 250MIOW
R777	20469460	RCF 2K2 OHM +5% 250MIOW
R778	60441560	RCF 560R0 OHM +5% 250MIOW
R779	60441560	RCF 560R0 OHM +5% 250MIOW
R780	60441560	RCF 560R0 OHM +5% 250MIOW
R781	60441560	RCF 560R0 OHM +5% 250MIOW
R782	60441560	RCF 560R0 OHM +5% 250MIOW
R783	60441560	RCF 560R0 OHM +5% 250MIOW
R784	60441560	RCF 560R0 OHM +5% 250MIOW
R785	60441580	RCF 22K0 OHM +5% 250MIOW
R786	60441580	RCF 22K0 OHM +5% 250MIOW
R787	50882980	RCF 820R0 OHM +5% 250MIOW
R788	80436990	RCF 910R0 OHM +5% 250MIOW
R789	80437000	RCF 1K2 OHM +5% 250MIOW

R790	11059590	RCF 82R0 OHM +5% 250MI0W
R791	11059590	RCF 82R0 OHM +5% 250MI0W
R792	70434970	RCF 3R3 OHM +5% 250MI0W
R793	70434970	RCF 3R3 OHM +5% 250MI0W
R794	50882950	RCF 100R0 OHM +5% 250MI0W
R795	50882950	RCF 100R0 OHM +5% 250MI0W
R799	80437010	RCF 1K8 OHM +5% 250MI0W
R800	20469460	RCF 2K2 OHM +5% 250MI0W
R801	80436990	RCF 910R0 OHM +5% 250MI0W
R802	20469490	RCF 6K8 OHM +5% 250MI0W
R803	60441580	RCF 22K0 OHM +5% 250MI0W
R804	60441580	RCF 22K0 OHM +5% 250MI0W
R805	50883030	RCF 150K0 OHM +5% 250MI0W
R851	60441580	RCF 22K0 OHM +5% 250MI0W
R852	60441580	RCF 22K0 OHM +5% 250MI0W
R853	60441580	RCF 22K0 OHM +5% 250MI0W

PL DWG NO: 55260800

PL TITLE : AC EMBD IMA POWER BD AVR1500

Pos	Tocom#	SName
0010	55260860	AC ESABD IAU POWER BD AVR1500
0020	20290150	SOLDER BAR 52SN/45PB/3SB BAR
0030	15481260	SLDC FLUX LRES FOAM SM32DHT-2
0040	20290240	SOLDER ALPHA RELIA. II 60/40 SOLDER WIRE 1.27 MM
C101	55095470	CC 4N7F +20% -20% 250.0V Y5V
C102	55095470	CC 4N7F +20% -20% 250.0V Y5V
C103	55095460	CPPMX 100N0F +20% -20%
C104	55095470	CC 4N7F +20% -20% 250.0V Y5V
C108	20268030	CE 1MIOF +20% 25.0V 85C
CP102	55123510	CON 3.96MM PITCH HEADER 2 POS MOLEX 35328-0210
CP303	55090060	CONN 2.0MM 7 MA ST NAT LW2002P07 0 0
CP400	55142040	WIRECONASY UNIQUE 10P 320MM UL1007 PVC DISCRETE 20 1
D101	20415060	D-SR 1N4004 400.0V 1.0A
D102	20415060	D-SR 1N4004 400.0V 1.0A
D103	20415060	D-SR 1N4004 400.0V 1.0A
D104	20415060	D-SR 1N4004 400.0V 1.0A
D105	20415060	D-SR 1N4004 400.0V 1.0A
D107	20415060	D-SR 1N4004 400.0V 1.0A
D108	20415060	D-SR 1N4004 400.0V 1.0A
D109	20415060	D-SR 1N4004 400.0V 1.0A
F101	20828800	FUSVDETIMELG 3.15 A 250.0 V 5X20
FC101	20413370	TERMFUSEHLDR FUSE-HOLDER
FC102	20413370	TERMFUSEHLDR FUSE-HOLDER
IC101	20361320	IC-REGPOSFXD KIA7806PI NORMAL
RY101	55091500	RELAYPWR 12.0V 270.0OHM 10.0A 250.0V
TRS2	55284970	TF-LAM 110V STANDBY 230V

PL DWG NO: 55260860

PL TITLE : AC ESABD IAU POWER BD AVR1500

Pos	Tocom#	SName
010	55283850	AC PCB POWER BD AVR1500 SINGLE LAYER
C105	40432960	CPM 47N0F +20% 100.0V
C106	40432960	CPM 47N0F +20% 100.0V
C107	40432960	CPM 47N0F +20% 100.0V
C109	20267420	CE 1U0F +20% 50.0V 105C
C110	20246470	CC 100N0F +80% -20% 25.0V Z5V
C111	55127400	CE 560N0F +20% 50.0V 85C
C112	55095410	CPM 220N0F +10% 63.0V
C113	13074540	CE 100U0F +20% 50.0V 85C
C114	13055500	CE 10U0F +20% 50.0V 85C
D106	70436540	D-SLP 1N4148 100.0V 150E-3A
D110	20475340	D-ZENER BZX55B30 30V 500MI0W
D111	20454630	D-ZENER 1N5239B 9.1V 500MI0W
D124	20526960	D-ZENER 1N5231B 5.1V 500MI0W
D129	70436540	D-SLP 1N4148 100.0V 150E-3A
J3	20441180	BCL 0.5MM TIN ANNEALED COPPER 10.0MM 8MM FIG 1 20322610
J4	20441180	BCL 0.5MM TIN ANNEALED COPPER 10.0MM 8MM FIG 1 20322610
J5	20441210	BCL 0.5MM TIN ANNEALED COPPER 20.0MM 8MM FIG 1 20322610
Q101	55133250	TR-SLPLF 2SC1740S R N 150MI0A 50V
Q102	55133350	TR-SLPLF MPSA56 Y P -500MI0A -300V
R101	11059580	RCF 56R0 OHM +5% 250MI0W
R102	50883000	RCF 3K3 OHM +5% 250MI0W



R103	30939370	RCF 15R0 OHM +5% 250MI0W
R104	40435640	RCF 4K7 OHM +5% 250MI0W
R105	40435640	RCF 4K7 OHM +5% 250MI0W
R106	30939360	RCF 10R0 OHM +5% 250MI0W
R107	30939480	RCF 10K0 OHM +5% 250MI0W
R108	11059640	RCF 1K0 OHM +5% 250MI0W
R109	11067570	RCF 1R0 OHM +5% 250MI0W
R110	11067570	RCF 1R0 OHM +5% 250MI0W

PL DWG NO: 55260780

PL TITLE : AC EMBD IMA DSP BD AVR1500

Pos	Tocom#	SName
0010	55260840	AC ESABD IAU DSP BD AVR1500
0020	20290150	SOLDER BAR 52SN/45PB/3SB BAR
0030	15481260	SLDC FLUX LRES FOAM SM32DHT-2
0040	20290240	SOLDER ALPHA RELIA. II 60/40 SOLDER WIRE 1.27 MM
C12	20269180	CE 1MIOF +20% 6.3V 85C
C13	20269180	CE 1MIOF +20% 6.3V 85C
C15	20269180	CE 1MIOF +20% 6.3V 85C
C33	55130270	CPF 82N0F +5% 100.0V
CP1	55124760	CONN 1.25MM 19 FE R BK 00-8370-197-000-800 2794 A6
CP401	55125060	CONN 2.0MM 14 MA R NAT MOLEX 35237-1410 0 0
CP402	55125030	CONN 2.0MM 11 MA R NAT MOLEX 35237-1110 0 0
JAC1	55125430	D-LEM TORX178B RD RND CL
JAC2	55246370	CON PHONO SCKT RCA 1P W/GND JE010003LN OG
JAC3	55246370	CON PHONO SCKT RCA 1P W/GND JE010003LN OG
T1	55176540	TFPULSE TRANSFORMER 110UH FP-110 FERRIT MAGNET
Y1	55126130	VCXO 12M288 HZ +50 PPM -50 PPM 0 OHM

PL DWG NO: 55260840

PL TITLE : AC ESABD IAU DSP BD AVR1500

Pos	Tocom#	SName
020	55260890	AC ESABD SMD TOP DSP BD AVR1500
021	55260900	AC ESABD SMD BOT DSP BD AVR1500
C1	15002130	CE 10U0F +20% 16.0V 85C
C119	15002130	CE 10U0F +20% 16.0V 85C
C153	15002130	CE 10U0F +20% 16.0V 85C
C161	15002130	CE 10U0F +20% 16.0V 85C
C166	15002130	CE 10U0F +20% 16.0V 85C
C17	15002130	CE 10U0F +20% 16.0V 85C
C171	15002130	CE 10U0F +20% 16.0V 85C
C177	15002130	CE 10U0F +20% 16.0V 85C
C18	15002130	CE 10U0F +20% 16.0V 85C
C202	15002130	CE 10U0F +20% 16.0V 85C
C21	20268850	CE 2U2F +20% 50.0V 85C
C211	15001920	CE 100U0F +20% 16.0V 85C
C212	15001920	CE 100U0F +20% 16.0V 85C
C24	20267830	CE 47U0F +20% 16.0V 85C
C27	20267830	CE 47U0F +20% 16.0V 85C
C31	15002130	CE 10U0F +20% 16.0V 85C
C32	15002130	CE 10U0F +20% 16.0V 85C
C40	20267830	CE 47U0F +20% 16.0V 85C
C46	15002130	CE 10U0F +20% 16.0V 85C
C50	20268840	CE 1U0F +20% 50.0V 85C
C53	15002130	CE 10U0F +20% 16.0V 85C
C55	15002130	CE 10U0F +20% 16.0V 85C
C56	20268840	CE 1U0F +20% 50.0V 85C
C62	15002130	CE 10U0F +20% 16.0V 85C
C68	15002130	CE 10U0F +20% 16.0V 85C
C69	20251830	CE 1U0F +20% 50.0V 85C
C71	20268840	CE 1U0F +20% 50.0V 85C
J1	20441210	BCL 0.5MM TIN ANNEALED COPPER 20.0MM 8MM FIG 1 20322610
J2	20441210	BCL 0.5MM TIN ANNEALED COPPER 20.0MM 8MM FIG 1 20322610

Pos	Tocom#	SName
100	55283630	AC PCB DSP BD AVR1500 DUAL LAYERS
BD10	80440510	RMGCFMIN 0 OHM +0% 100MIOW
BD14	55126690	FBEAD SURFACE MT 2500OHM FCM2012H-252T02
BD16	80440510	RMGCFMIN 0 OHM +0% 100MIOW
BD17	20471950	RMGCFMIN 1K0 OHM +5% 100MIOW
BD18	20471950	RMGCFMIN 1K0 OHM +5% 100MIOW
BD19	80440510	RMGCFMIN 0 OHM +0% 100MIOW
BD20	80440510	RMGCFMIN 0 OHM +0% 100MIOW
BD22	80440510	RMGCFMIN 0 OHM +0% 100MIOW
BD23	80440510	RMGCFMIN 0 OHM +0% 100MIOW
BD25	55126690	FBEAD SURFACE MT 2500OHM FCM2012H-252T02
BD26	80440510	RMGCFMIN 0 OHM +0% 100MIOW
BD27	80440510	RMGCFMIN 0 OHM +0% 100MIOW
BD29	80440510	RMGCFMIN 0 OHM +0% 100MIOW
BD30	30944260	RMGCFMIN 22R0 OHM +5% 100MIOW
BD31	30944260	RMGCFMIN 22R0 OHM +5% 100MIOW
BD32	30944260	RMGCFMIN 22R0 OHM +5% 100MIOW
BD34	80440510	RMGCFMIN 0 OHM +0% 100MIOW
BD35	80440510	RMGCFMIN 0 OHM +0% 100MIOW
BD37	30944260	RMGCFMIN 22R0 OHM +5% 100MIOW
BD38	80440510	RMGCFMIN 0 OHM +0% 100MIOW
BD39	80440510	RMGCFMIN 0 OHM +0% 100MIOW
BD4	55126690	FBEAD SURFACE MT 2500OHM FCM2012H-252T02
BD5	55126650	FBEAD SURFACE MT 300OHM FCM2012V-301T07
BD8	55126690	FBEAD SURFACE MT 2500OHM FCM2012H-252T02
C10	11059320	CCCFMIN 1N0F +10% -10% 50.0V X7R
C11	30938730	CCCFMIN 220P0F +5% -5% 50.0V NP0
C116	11059320	CCCFMIN 1N0F +10% -10% 50.0V X7R
C117	11059320	CCCFMIN 1N0F +10% -10% 50.0V X7R
C118	11059320	CCCFMIN 1N0F +10% -10% 50.0V X7R
C120	11059320	CCCFMIN 1N0F +10% -10% 50.0V X7R
C121	11059320	CCCFMIN 1N0F +10% -10% 50.0V X7R
C122	20267290	CCCFMIN 100N0F +80% -20% 50.0V Y5V
C136	11059320	CCCFMIN 1N0F +10% -10% 50.0V X7R
C14	20267290	CCCFMIN 100N0F +80% -20% 50.0V Y5V
C140	11059320	CCCFMIN 1N0F +10% -10% 50.0V X7R
C141	40435540	CCCFMIN 5N6F +10% -10% 50.0V X7R
C152	80436520	CCCFMIN 56P0F +5% -5% 50.0V NP0
C154	20469340	CCCFMIN 4N7F +10% -10% 50.0V X7R
C162	20469340	CCCFMIN 4N7F +10% -10% 50.0V X7R
C170	20469340	CCCFMIN 4N7F +10% -10% 50.0V X7R
C172	20267290	CCCFMIN 100N0F +80% -20% 50.0V Y5V
C173	20469340	CCCFMIN 4N7F +10% -10% 50.0V X7R
C178	20267290	CCCFMIN 100N0F +80% -20% 50.0V Y5V
C180	20267290	CCCFMIN 100N0F +80% -20% 50.0V Y5V
C182	20267290	CCCFMIN 100N0F +80% -20% 50.0V Y5V
C183	30938730	CCCFMIN 220P0F +5% -5% 50.0V NP0
C184	30938730	CCCFMIN 220P0F +5% -5% 50.0V NP0
C185	30938730	CCCFMIN 220P0F +5% -5% 50.0V NP0
C186	30938730	CCCFMIN 220P0F +5% -5% 50.0V NP0
C187	30938730	CCCFMIN 220P0F +5% -5% 50.0V NP0
C204	11058670	CCCFMIN 100P0F +5% -5% 50.0V NP0
C213	11059320	CCCFMIN 1N0F +10% -10% 50.0V X7R
C214	11059320	CCCFMIN 1N0F +10% -10% 50.0V X7R
C215	11059320	CCCFMIN 1N0F +10% -10% 50.0V X7R

C22	11059340	CCCFMIN 10N0F +10% -10% 50.0V X7R
C23	20267320	CCCFMIN 220N0F +80% -20% 50.0V Y5V
C26	11059340	CCCFMIN 10N0F +10% -10% 50.0V X7R
C29	40435540	CCCFMIN 5N6F +10% -10% 50.0V X7R
C3	11059320	CCCFMIN 1N0F +10% -10% 50.0V X7R
C35	11059340	CCCFMIN 10N0F +10% -10% 50.0V X7R
C38	11059320	CCCFMIN 1N0F +10% -10% 50.0V X7R
C39	11059320	CCCFMIN 1N0F +10% -10% 50.0V X7R
C4	11059340	CCCFMIN 10N0F +10% -10% 50.0V X7R
C44	11059320	CCCFMIN 1N0F +10% -10% 50.0V X7R
C45	11059320	CCCFMIN 1N0F +10% -10% 50.0V X7R
C47	11059320	CCCFMIN 1N0F +10% -10% 50.0V X7R
C48	11059320	CCCFMIN 1N0F +10% -10% 50.0V X7R
C5	20267290	CCCFMIN 100N0F +80% -20% 50.0V Y5V
C51	11059320	CCCFMIN 1N0F +10% -10% 50.0V X7R
C52	11059320	CCCFMIN 1N0F +10% -10% 50.0V X7R
C54	11059320	CCCFMIN 1N0F +10% -10% 50.0V X7R
C58	11059320	CCCFMIN 1N0F +10% -10% 50.0V X7R
C59	11058670	CCCFMIN 100P0F +5% -5% 50.0V NP0
C60	11059330	CCCFMIN 2N2F +10% -10% 50.0V X7R
C61	20267290	CCCFMIN 100N0F +80% -20% 50.0V Y5V
C63	11058670	CCCFMIN 100P0F +5% -5% 50.0V NP0
C64	11058670	CCCFMIN 100P0F +5% -5% 50.0V NP0
C65	11059330	CCCFMIN 2N2F +10% -10% 50.0V X7R
C72	30938700	CCCFMIN 68P0F +5% -5% 50.0V NP0
C74	20267290	CCCFMIN 100N0F +80% -20% 50.0V Y5V
C78	30938730	CCCFMIN 220P0F +5% -5% 50.0V NP0
C8	11059320	CCCFMIN 1N0F +10% -10% 50.0V X7R
C9	11059320	CCCFMIN 1N0F +10% -10% 50.0V X7R
IC1	5512539A	IC COMM CS4228 QFP44 E VERSION CODEC ID
IC11	20920060	IC-OPERAMP KIA4558F DUAL OP
IC11	20976940	IC-OPERAMP BA4558F DUAL OP
IC12	20920060	IC-OPERAMP KIA4558F DUAL OP
IC12	20976940	IC-OPERAMP BA4558F DUAL OP
IC14	55125410	IC-LOWFREQ CS8415A-CS DSP
IC18	55125420	IC-LOGIC 74VHC244MX INVERTER CMOS
IC19	55125420	IC-LOGIC 74VHC244MX INVERTER CMOS
IC4	55171060	IC-EPROM AT27LV010A-90JC
IC5	55125380	IC-LOWFREQ CS493263-CL DSP
IC6	20920060	IC-OPERAMP KIA4558F DUAL OP
IC6	20976940	IC-OPERAMP BA4558F DUAL OP
IC7	20920060	IC-OPERAMP KIA4558F DUAL OP
IC7	20976940	IC-OPERAMP BA4558F DUAL OP
IC8	20920060	IC-OPERAMP KIA4558F DUAL OP
IC8	20976940	IC-OPERAMP BA4558F DUAL OP
IC9	55133310	IC-LOGIC M74HCU04M1R INVERTER HCT
L1	55185090	LF-SMD 33U0H +10%
Q2	20970480	TR-SLPSWA KTA1504Y P -50V -150MIOA
R1	50886630	RMGCFMIN 100K0 OHM +5% 100MIOW
R101	55126660	FBEAD SURFACE MT 600OHM FCM2012V-601T05
R105	11066390	RMGCFMIN 75R0 OHM +5% 100MIOW
R107	30944310	RMGCFMIN 4K7 OHM +5% 100MIOW
R108	30944310	RMGCFMIN 4K7 OHM +5% 100MIOW
R11	30944310	RMGCFMIN 4K7 OHM +5% 100MIOW
R110	20471970	RMGCFMIN 2K4 OHM +5% 100MIOW
R111	20471950	RMGCFMIN 1K0 OHM +5% 100MIOW
R113	50886610	RMGCFMIN 10K0 OHM +5% 100MIOW
R114	50886610	RMGCFMIN 10K0 OHM +5% 100MIOW
R116	50886610	RMGCFMIN 10K0 OHM +5% 100MIOW
R117	50886610	RMGCFMIN 10K0 OHM +5% 100MIOW
R118	50886610	RMGCFMIN 10K0 OHM +5% 100MIOW

R12	90574400	RMGCFMIN 470R0 OHM +5% 100MIOW
R125	70434200	RMGCFMIN 100R0 OHM +5% 100MIOW
R127	30944250	RMGCFMIN 10R0 OHM +5% 100MIOW
R13	20471960	RMGCFMIN 1K8 OHM +5% 100MIOW
R14	70434220	RMGCFMIN 820R0 OHM +5% 100MIOW
R140	70434220	RMGCFMIN 820R0 OHM +5% 100MIOW
R141	50886630	RMGCFMIN 100K0 OHM +5% 100MIOW
R142	20471950	RMGCFMIN 1K0 OHM +5% 100MIOW
R15	20471990	RMGCFMIN 12K0 OHM +5% 100MIOW
R150	50886630	RMGCFMIN 100K0 OHM +5% 100MIOW
R151	20471950	RMGCFMIN 1K0 OHM +5% 100MIOW
R152	50886630	RMGCFMIN 100K0 OHM +5% 100MIOW
R153	20471950	RMGCFMIN 1K0 OHM +5% 100MIOW
R154	50886630	RMGCFMIN 100K0 OHM +5% 100MIOW
R155	20471950	RMGCFMIN 1K0 OHM +5% 100MIOW
R156	50886630	RMGCFMIN 100K0 OHM +5% 100MIOW
R157	20471950	RMGCFMIN 1K0 OHM +5% 100MIOW
R158	20471990	RMGCFMIN 12K0 OHM +5% 100MIOW
R159	20471990	RMGCFMIN 12K0 OHM +5% 100MIOW
R16	30944310	RMGCFMIN 4K7 OHM +5% 100MIOW
R160	20471990	RMGCFMIN 12K0 OHM +5% 100MIOW
R161	20471990	RMGCFMIN 12K0 OHM +5% 100MIOW
R162	70434200	RMGCFMIN 100R0 OHM +5% 100MIOW
R164	20471990	RMGCFMIN 12K0 OHM +5% 100MIOW
R17	50886610	RMGCFMIN 10K0 OHM +5% 100MIOW
R18	80440420	RMGCFMIN 33K0 OHM +5% 100MIOW
R188	30944330	RMGCFMIN 20K0 OHM +5% 100MIOW
R19	30944310	RMGCFMIN 4K7 OHM +5% 100MIOW
R190	50886610	RMGCFMIN 10K0 OHM +5% 100MIOW
R193	20471990	RMGCFMIN 12K0 OHM +5% 100MIOW
R194	90574400	RMGCFMIN 470R0 OHM +5% 100MIOW
R195	70434200	RMGCFMIN 100R0 OHM +5% 100MIOW
R2	20471990	RMGCFMIN 12K0 OHM +5% 100MIOW
R20	50886630	RMGCFMIN 100K0 OHM +5% 100MIOW
R21	20471950	RMGCFMIN 1K0 OHM +5% 100MIOW
R22	50886630	RMGCFMIN 100K0 OHM +5% 100MIOW
R23	70434250	RMGCFMIN 15K0 OHM +5% 100MIOW
R24	90574400	RMGCFMIN 470R0 OHM +5% 100MIOW
R25	90574400	RMGCFMIN 470R0 OHM +5% 100MIOW
R26	20471960	RMGCFMIN 1K8 OHM +5% 100MIOW
R27	70434220	RMGCFMIN 820R0 OHM +5% 100MIOW
R28	50886630	RMGCFMIN 100K0 OHM +5% 100MIOW
R29	40438300	RMGCFMIN 6K8 OHM +5% 100MIOW
R3	70434250	RMGCFMIN 15K0 OHM +5% 100MIOW
R30	90574400	RMGCFMIN 470R0 OHM +5% 100MIOW
R31	30944310	RMGCFMIN 4K7 OHM +5% 100MIOW
R32	90574400	RMGCFMIN 470R0 OHM +5% 100MIOW
R33	20471970	RMGCFMIN 2K4 OHM +5% 100MIOW
R34	70434220	RMGCFMIN 820R0 OHM +5% 100MIOW
R35	50886630	RMGCFMIN 100K0 OHM +5% 100MIOW
R37	90574400	RMGCFMIN 470R0 OHM +5% 100MIOW
R38	20471970	RMGCFMIN 2K4 OHM +5% 100MIOW
R39	11066480	RMGCFMIN 47K0 OHM +5% 100MIOW
R4	20471990	RMGCFMIN 12K0 OHM +5% 100MIOW
R40	50886610	RMGCFMIN 10K0 OHM +5% 100MIOW
R41	20471950	RMGCFMIN 1K0 OHM +5% 100MIOW
R42	70434250	RMGCFMIN 15K0 OHM +5% 100MIOW
R43	50886610	RMGCFMIN 10K0 OHM +5% 100MIOW
R44	80440370	RMGCFMIN 150R0 OHM +5% 100MIOW
R45	80440370	RMGCFMIN 150R0 OHM +5% 100MIOW
R46	30944330	RMGCFMIN 20K0 OHM +5% 100MIOW

R47	11066480	RMGCFMIN 47K0 OHM +5% 100MI0W
R48	50886610	RMGCFMIN 10K0 OHM +5% 100MI0W
R49	50886610	RMGCFMIN 10K0 OHM +5% 100MI0W
R5	90574400	RMGCFMIN 470R0 OHM +5% 100MI0W
R50	50886610	RMGCFMIN 10K0 OHM +5% 100MI0W
R51	80440370	RMGCFMIN 150R0 OHM +5% 100MI0W
R52	80440370	RMGCFMIN 150R0 OHM +5% 100MI0W
R53	70434250	RMGCFMIN 15K0 OHM +5% 100MI0W
R54	50886610	RMGCFMIN 10K0 OHM +5% 100MI0W
R55	30944250	RMGCFMIN 10R0 OHM +5% 100MI0W
R56	80440390	RMGCFMIN 2K2 OHM +5% 100MI0W
R57	80440510	RMGCFMIN 0 OHM +0% 100MI0W
R58	90574400	RMGCFMIN 470R0 OHM +5% 100MI0W
R59	55126660	FBEAD SURFACE MT 600OHM FCM2012V-601T05
R6	70434200	RMGCFMIN 100R0 OHM +5% 100MI0W
R61	50886630	RMGCFMIN 100K0 OHM +5% 100MI0W
R62	20471990	RMGCFMIN 12K0 OHM +5% 100MI0W
R63	90574400	RMGCFMIN 470R0 OHM +5% 100MI0W
R64	90574400	RMGCFMIN 470R0 OHM +5% 100MI0W
R65	50886610	RMGCFMIN 10K0 OHM +5% 100MI0W
R67	11066480	RMGCFMIN 47K0 OHM +5% 100MI0W
R68	11066480	RMGCFMIN 47K0 OHM +5% 100MI0W
R69	20471970	RMGCFMIN 2K4 OHM +5% 100MI0W
R7	40438300	RMGCFMIN 6K8 OHM +5% 100MI0W
R70	70434220	RMGCFMIN 820R0 OHM +5% 100MI0W
R71	50886630	RMGCFMIN 100K0 OHM +5% 100MI0W
R72	20471990	RMGCFMIN 12K0 OHM +5% 100MI0W
R73	20471930	RMGCFMIN 510R0 OHM +5% 100MI0W
R74	80440390	RMGCFMIN 2K2 OHM +5% 100MI0W
R77	90574400	RMGCFMIN 470R0 OHM +5% 100MI0W
R79	90574400	RMGCFMIN 470R0 OHM +5% 100MI0W
R8	70434250	RMGCFMIN 15K0 OHM +5% 100MI0W
R89	70434200	RMGCFMIN 100R0 OHM +5% 100MI0W

PL DWG NO: 55260900

PL TITLE : AC ESABD SMD BOT DSP BD AVR1500

Pos	Tocom#	SName
BD1	55126690	FBEAD SURFACE MT 2500OHM FCM2012H-252T02
BD11	55126690	FBEAD SURFACE MT 2500OHM FCM2012H-252T02
BD12	55126690	FBEAD SURFACE MT 2500OHM FCM2012H-252T02
BD13	55126690	FBEAD SURFACE MT 2500OHM FCM2012H-252T02
BD15	55126690	FBEAD SURFACE MT 2500OHM FCM2012H-252T02
BD2	55126690	FBEAD SURFACE MT 2500OHM FCM2012H-252T02
BD21	55126690	FBEAD SURFACE MT 2500OHM FCM2012H-252T02
BD3	55126690	FBEAD SURFACE MT 2500OHM FCM2012H-252T02
BD33	55126690	FBEAD SURFACE MT 2500OHM FCM2012H-252T02
BD36	55126690	FBEAD SURFACE MT 2500OHM FCM2012H-252T02
BD6	55126690	FBEAD SURFACE MT 2500OHM FCM2012H-252T02
BD7	55126690	FBEAD SURFACE MT 2500OHM FCM2012H-252T02
C105	20267290	CCCFMIN 100N0F +80% -20% 50.0V Y5V
C137	20267290	CCCFMIN 100N0F +80% -20% 50.0V Y5V
C151	20267290	CCCFMIN 100N0F +80% -20% 50.0V Y5V
C16	20267290	CCCFMIN 100N0F +80% -20% 50.0V Y5V
C179	20267290	CCCFMIN 100N0F +80% -20% 50.0V Y5V
C181	20267290	CCCFMIN 100N0F +80% -20% 50.0V Y5V
C19	20267290	CCCFMIN 100N0F +80% -20% 50.0V Y5V
C20	20267290	CCCFMIN 100N0F +80% -20% 50.0V Y5V
C206	20267290	CCCFMIN 100N0F +80% -20% 50.0V Y5V

C25	20267290	CCCFMIN 100N0F +80% -20% 50.0V Y5V
C28	20267290	CCCFMIN 100N0F +80% -20% 50.0V Y5V
C30	20267290	CCCFMIN 100N0F +80% -20% 50.0V Y5V
C34	11059330	CCCFMIN 2N2F +10% -10% 50.0V X7R
C37	20267290	CCCFMIN 100N0F +80% -20% 50.0V Y5V
C41	20267290	CCCFMIN 100N0F +80% -20% 50.0V Y5V
C42	20267290	CCCFMIN 100N0F +80% -20% 50.0V Y5V
C43	20267290	CCCFMIN 100N0F +80% -20% 50.0V Y5V
C49	20267290	CCCFMIN 100N0F +80% -20% 50.0V Y5V
C57	20267290	CCCFMIN 100N0F +80% -20% 50.0V Y5V
C6	20267290	CCCFMIN 100N0F +80% -20% 50.0V Y5V
C66	20267290	CCCFMIN 100N0F +80% -20% 50.0V Y5V
C67	20267290	CCCFMIN 100N0F +80% -20% 50.0V Y5V
C70	20267290	CCCFMIN 100N0F +80% -20% 50.0V Y5V
C73	20267290	CCCFMIN 100N0F +80% -20% 50.0V Y5V
C75	40435180	CCCFMIN 47P0F +5% -5% 50.0V NP0
C76	30938730	CCCFMIN 220P0F +5% -5% 50.0V NP0
C77	20468970	CCCFMIN 330P0F +5% -5% 50.0V NP0
C81	11059440	CCCFMIN 10P0F +0P25F -0P25F 50.0V NP0
C82	11059440	CCCFMIN 10P0F +0P25F -0P25F 50.0V NP0
C83	11059440	CCCFMIN 10P0F +0P25F -0P25F 50.0V NP0
C84	11059440	CCCFMIN 10P0F +0P25F -0P25F 50.0V NP0
C85	11059440	CCCFMIN 10P0F +0P25F -0P25F 50.0V NP0
C86	11059440	CCCFMIN 10P0F +0P25F -0P25F 50.0V NP0
C87	11059440	CCCFMIN 10P0F +0P25F -0P25F 50.0V NP0
C88	11059440	CCCFMIN 10P0F +0P25F -0P25F 50.0V NP0
C99	20267290	CCCFMIN 100N0F +80% -20% 50.0V Y5V
IC10	55229970	IC-LOGIC MM74HC151M SOIC16 MULTIPLEXER CMOS
IC2	55170220	IC-LOGIC F/F 74VHC574MX FLIP/FLOP HCMOS
IC3	55170220	IC-LOGIC F/F 74VHC574MX FLIP/FLOP HCMOS
L4	55185090	LF-SMD 33U0H +10%
L5	55185090	LF-SMD 33U0H +10%
R10	15112590	RMGCFMIN 3R3 OHM +5% 100MI0W
R36	50886600	RMGCFMIN 5K1 OHM +5% 100MI0W
R60	55126660	FBEAD SURFACE MT 600OHM FCM2012V-601T05
R66	11066460	RMGCFMIN 8K2 OHM +5% 100MI0W
R81	50886610	RMGCFMIN 10K0 OHM +5% 100MI0W
R82	50886610	RMGCFMIN 10K0 OHM +5% 100MI0W
R83	50886610	RMGCFMIN 10K0 OHM +5% 100MI0W
R84	50886610	RMGCFMIN 10K0 OHM +5% 100MI0W
R85	50886610	RMGCFMIN 10K0 OHM +5% 100MI0W
R86	50886610	RMGCFMIN 10K0 OHM +5% 100MI0W
R87	50886610	RMGCFMIN 10K0 OHM +5% 100MI0W
R88	50886610	RMGCFMIN 10K0 OHM +5% 100MI0W
R9	15112590	RMGCFMIN 3R3 OHM +5% 100MI0W

PL DWG NO: 55260720

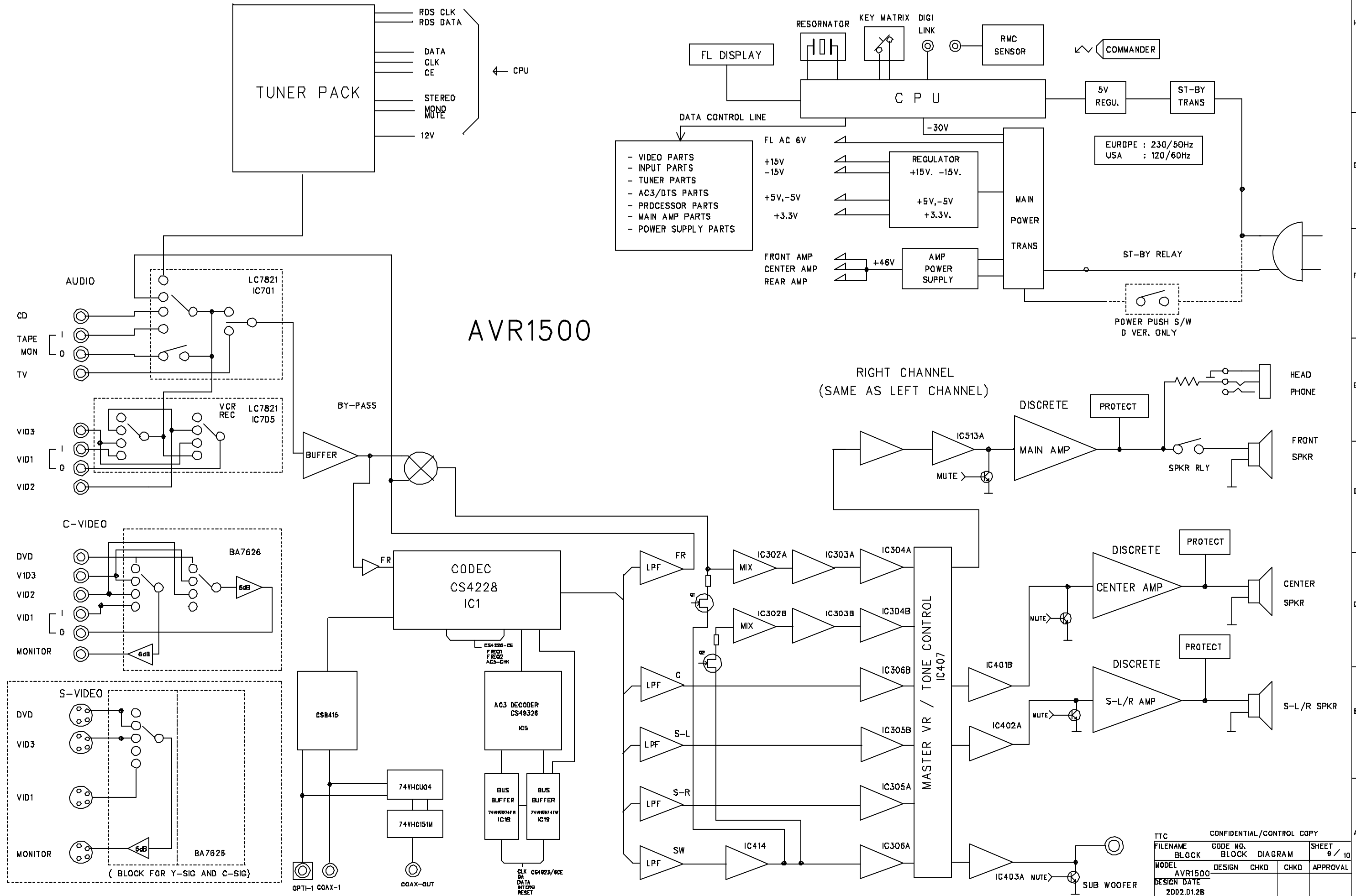
PL TITLE : AC BOM PKG AVR1500

Pos	Tocom#	SName
0050	55127490	ANTENNA WIRE ANTENNA LOOP CT01-AM 0 0
0060	55262340	EPR RCT REMOCON AVR1500 OEM -- W/O BATTERY --
0070	5502022A	BATNCALK 1.5V AAA 1.15 AH
0080	55262380	AC CARTON AVR1500
0100	55178740	AC PRI LABEL CARD-WARRANTY PAPE
0110	55178610	AC CPL ENDCAP CUSHION POLY 0.024
0120	55127460	ANTENNA WIRE 75 OHM WIRE CT03-FM 0 0
0130	55178620	AC PRI LABEL "PLEASE" AVR520
0140	55262310	AC PRI LABEL BARCODE AVR1500
0150	55178770	AC PRI LABEL SAFETY LEAF
0160	55164890	AC CPL BAG POLY PE T0.05 500MM X 300MM
0170	55170660	AC SHEET EPE DVD5 920MM X 1000MM
0180	55262420	AC BOOK INSTR AVR1500
0190	20676090	AC CPL BAG PE 230MM X 120MM
0200	20194780	CABLE-FIX CABLE-TIE THE FITMOS PLASTIC 0 0
0210	20357620	TAPE-ADH ROLL 3M #373 0.06MM 76MM TRA
0220	20194840	TAPE-ADH ROLL 3M#610 0.11MM 12.7MM --



# BLOCK DIAGRAM

3			2			1		
NO	DATE	POS.	CONTENTS	NO	DATE	POS.	CONTENTS	



TTC		CONFIDENTIAL/CONTROL COPY			
FILENAME	BLOCK	CODE NO.	DIAGRAM	SHEET	9 / 10
AVR1500					
DESIGN		CHKD			
DATE					
2002.01.28					

6

5

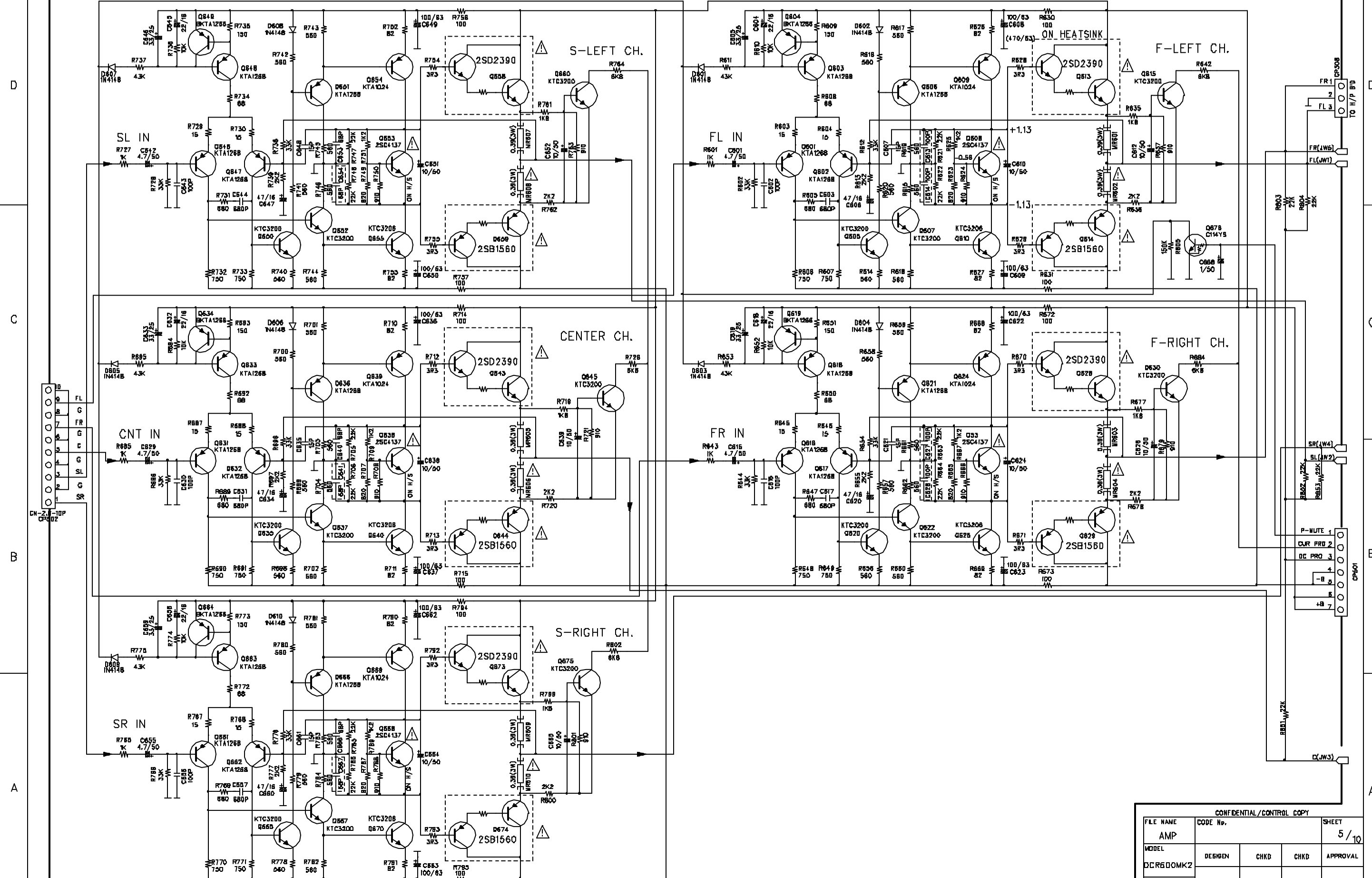
4

3

2

1

SCHEMATIC DIAGRAM



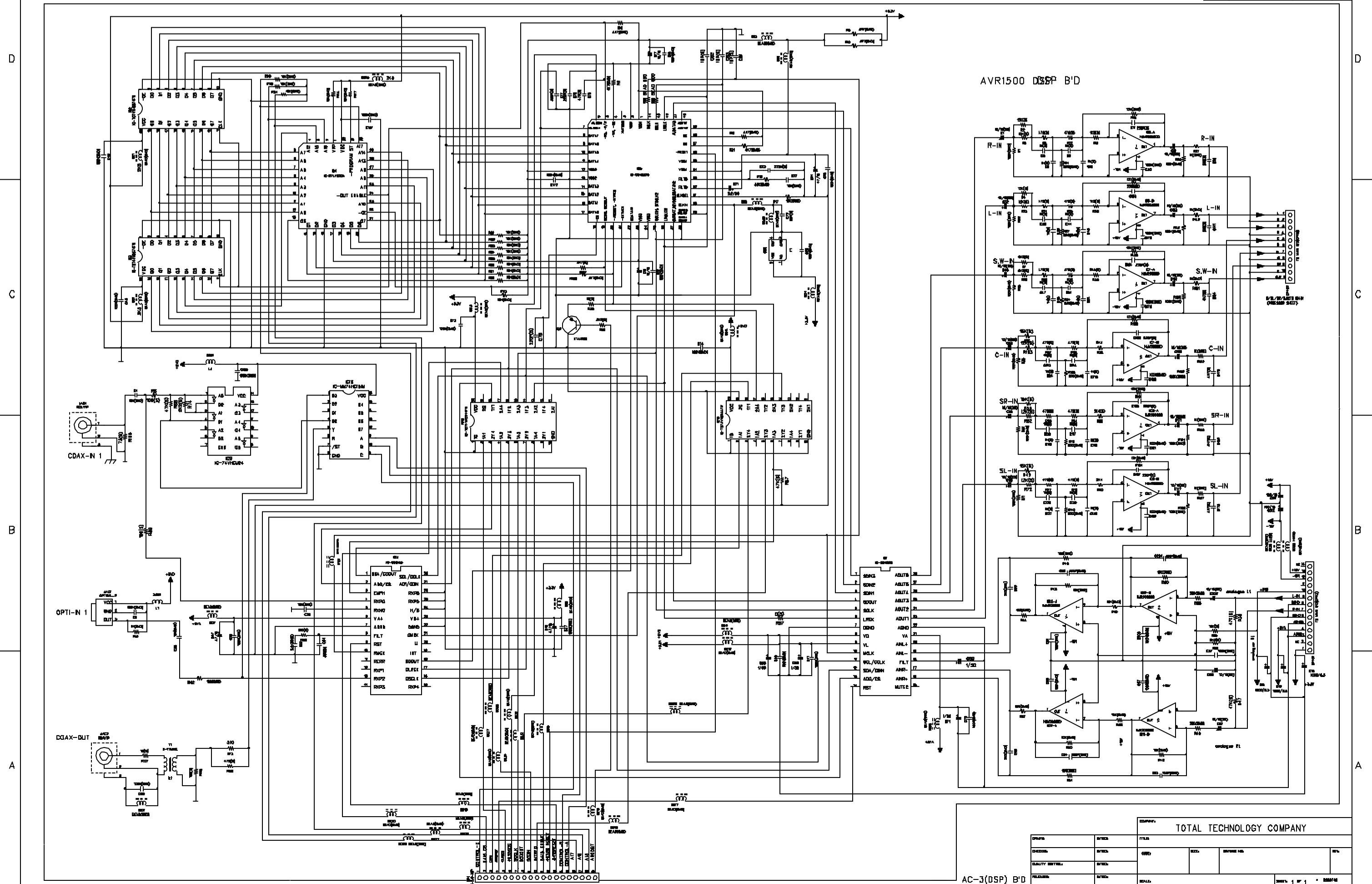
CONFIDENTIAL/CONTROL COPY				
FILE NAME	CODE No.			SHEET
AMP				5/10
MODEL	DESIGN	CHKD	CHKD	APPROVAL
DCR600MK2				
DESIGN DATE				
2001.06.20				

# SCHEMATIC DIAGRAM

AVR1500

DSP B'D

REVISION HISTORY			
LT#	DOB No.	APPROVER	DATE

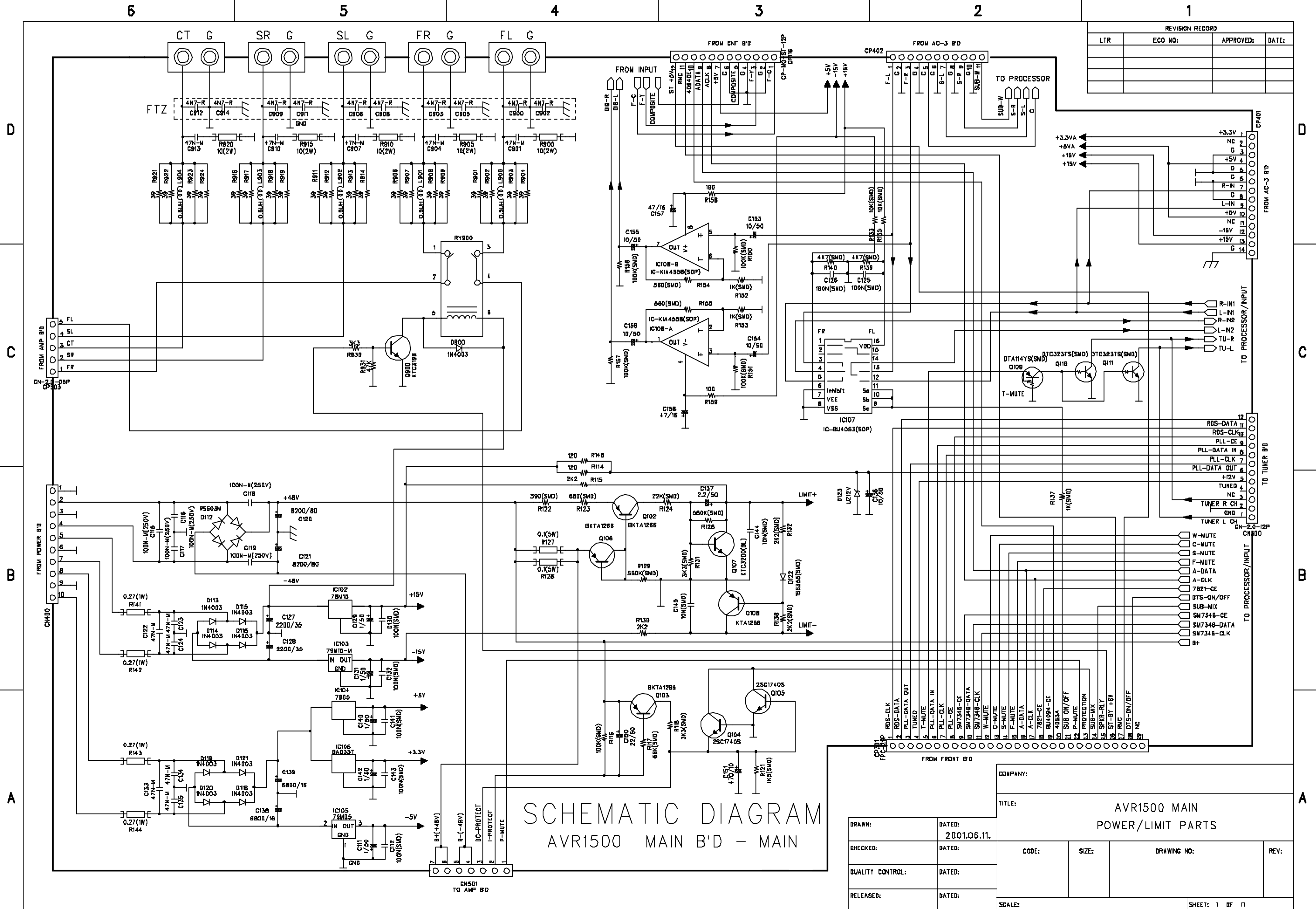


AVR1500 DSP B'D

AC-3(DSP) B'D

TOTAL TECHNOLOGY COMPANY

DESIGN	DATE	FILE	REV	DATE	BY



SCHEMATIC DIAGRAM  
AVR1500 MAIN B'D - MAIN

DRAWN:		DATED: 2001.06.11.		COMPANY:	
CHECKED:		DATED:		TITLE: AVR1500 MAIN POWER/LIMIT PARTS	
QUALITY CONTROL:		DATED:		CODE:	SIZE:
RELEASED:		DATED:		DRAWING NO:	REV:
SCALE:				SHEET: 1 OF 11	

6

5

4

3

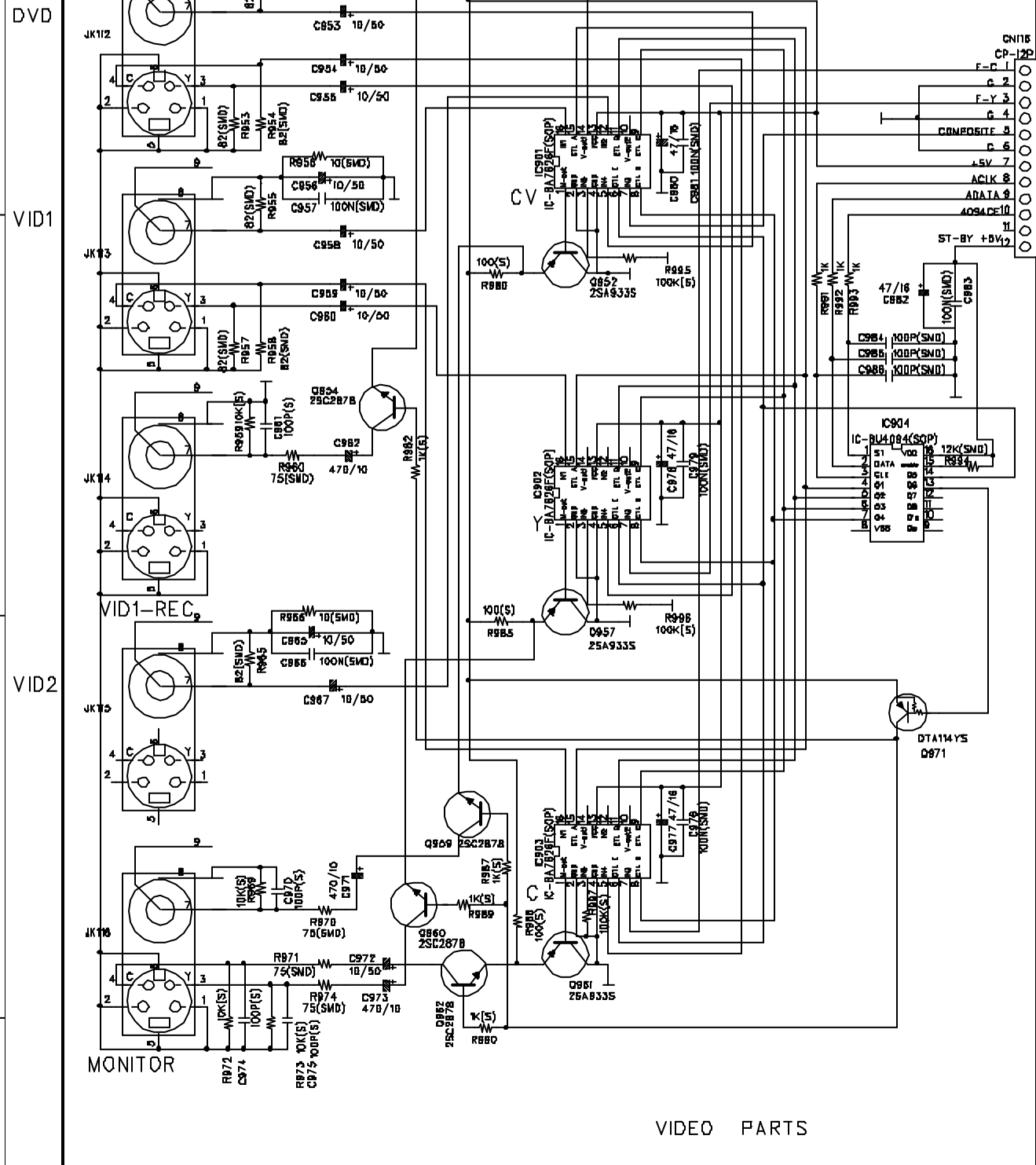
2

1

REVISION RECORD			
LTR	ECO NO:	APPROVED:	DATE:

D

D



VIDEO PARTS

VID2

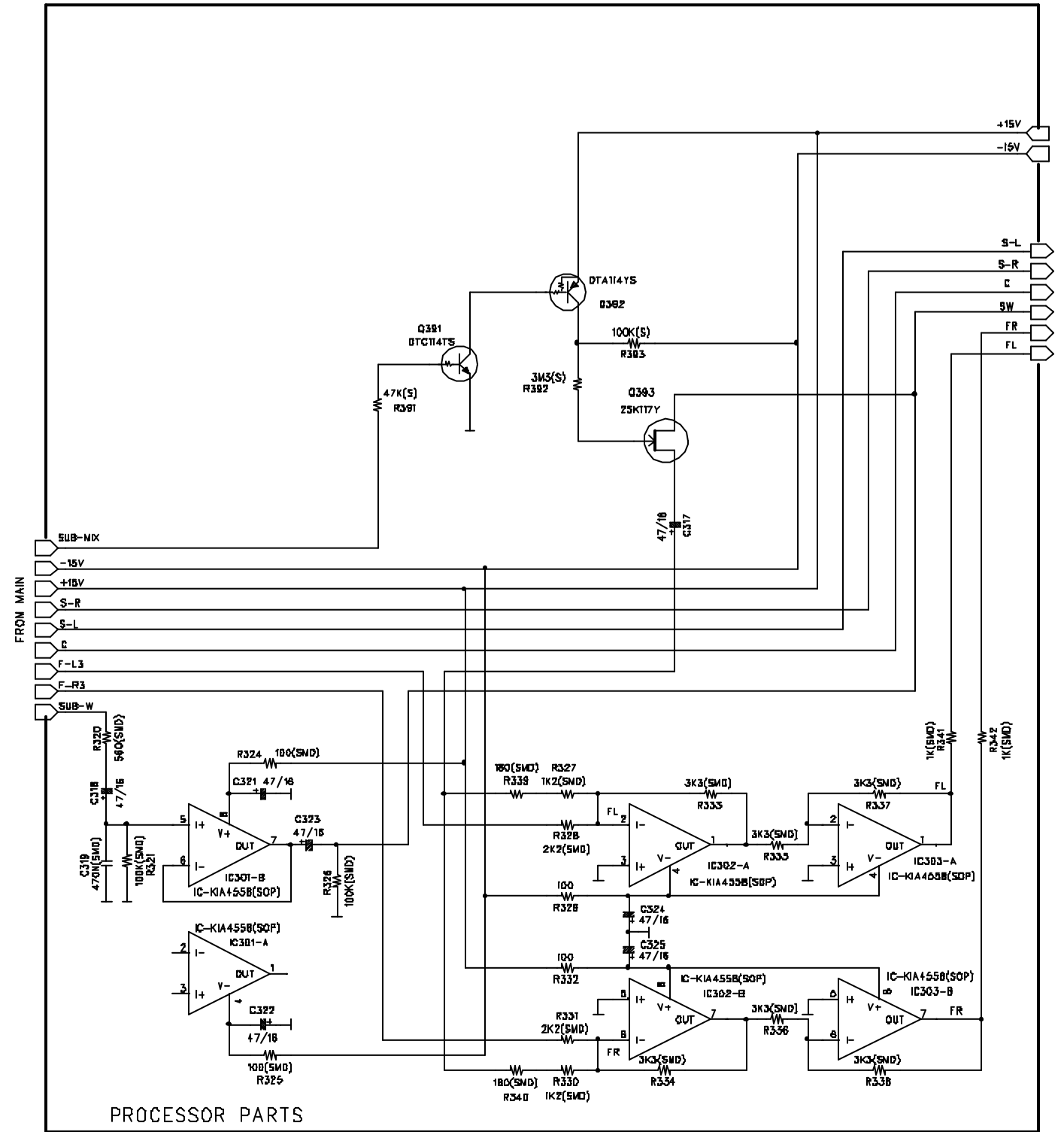
VID1-REC

VID1

DVD

MONITOR

A



PROCESSOR PARTS

# AVR1500 MAIN B'D - PROCESSOR SCHEMATIC DIAGRAM

DRAWN:	DATED:
CHECKED:	DATED:
QUALITY CONTROL:	DATED:
RELEASED:	DATED:

COMPANY:			
TITLE:			
AVR1500 MAIN PROCESSOR/S-VIDEO PARTS			
CODE:	SIZE:	DRAWING NO:	REV:
SCALE:	SHEET: 3 OF 11		

A

6

5

4

3

2

1

REVISION RECORD			
LTR	ECO NO:	APPROVED:	DATE:

D

D

C

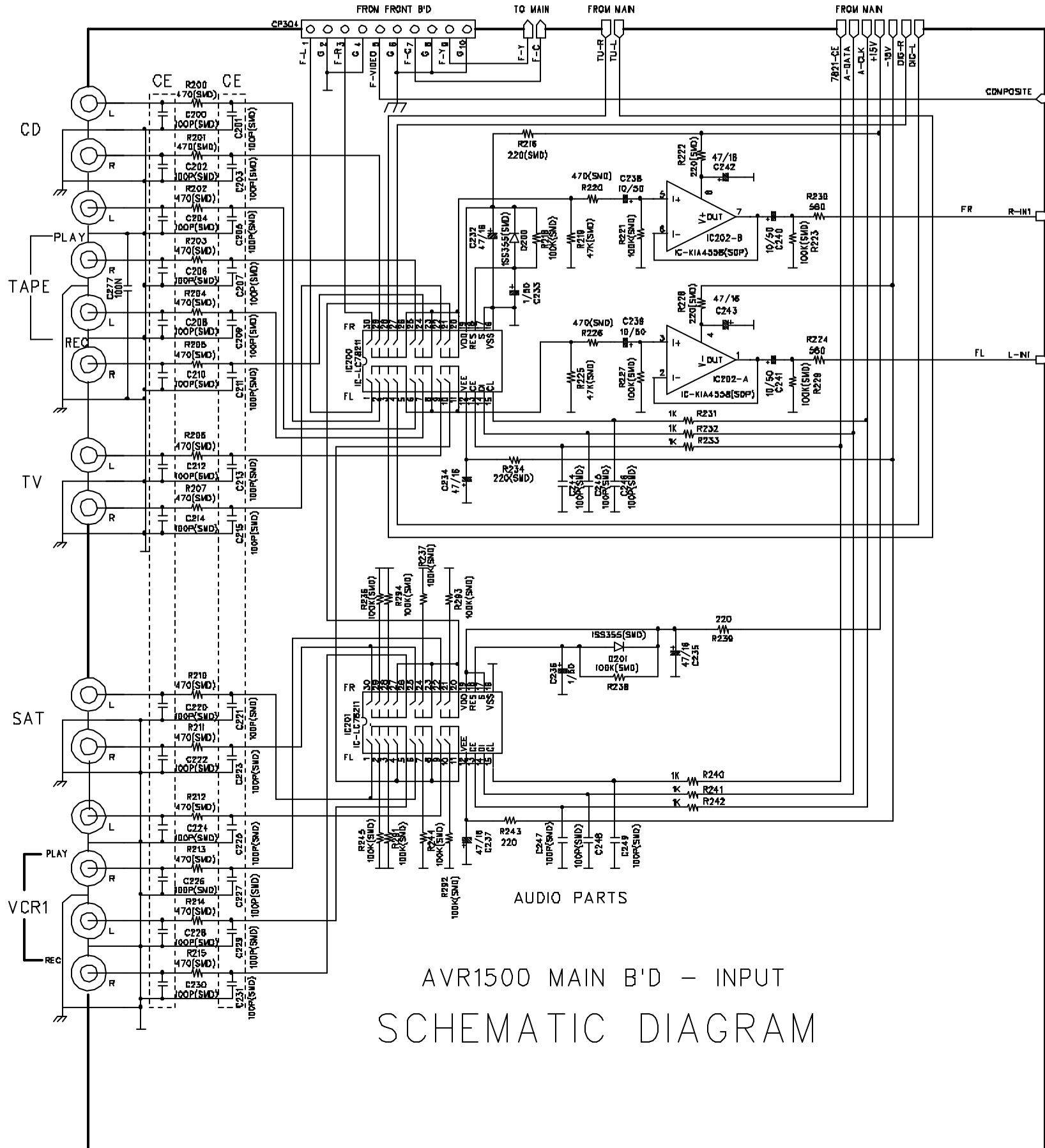
C

B

B

A

A



AVR1500 MAIN B'D - INPUT  
SCHEMATIC DIAGRAM

DRAWN:		DATED: 2001.06.11.		COMPANY:	
CHECKED:		DATED:		TITLE: AVR1500 MAIN AUDIO/C-VIDEO PARTS	
QUALITY CONTROL:		DATED:		CODE:	SIZE:
RELEASED:		DATED:		DRAWING NO:	
				REV:	
				SCALE:	SHEET: 2 OF 18

6

5

4

3

2

1

REVISION RECORD			
LTR	ECO NO:	APPROVED:	DATE:

# AVR1500 MAIN B'D - VOLUME SCHEMATIC DIAGRAM

D

C

B

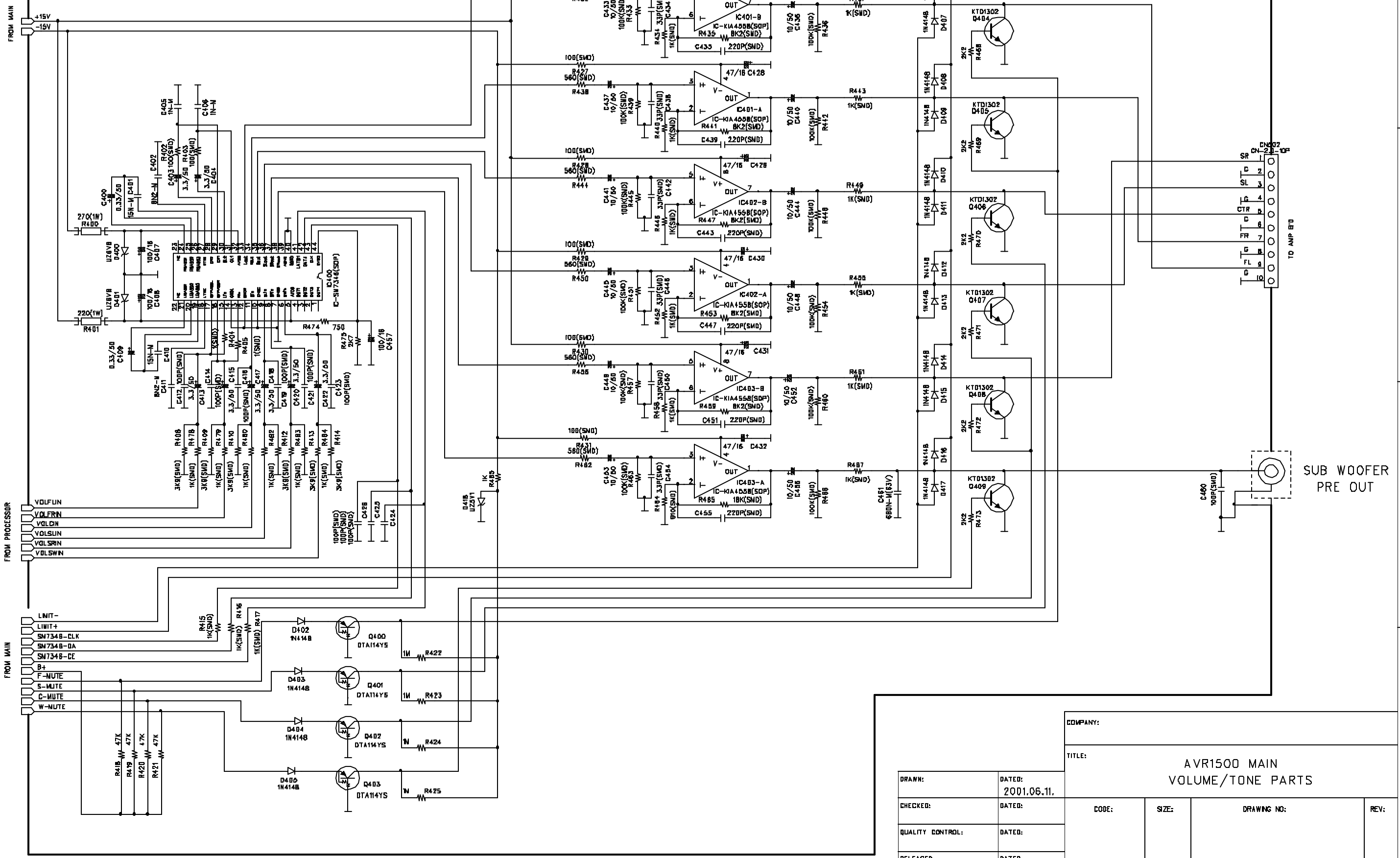
A

D

C

B

A



SUB WOOFER  
PRE OUT

DRAWN:		DATED:		COMPANY:	
CHECKED:		DATED:		TITLE:	
QUALITY CONTROL:		DATED:		AVR1500 MAIN VOLUME/TONE PARTS	
RELEASED:		DATED:		CODE:	SIZE:
				DRAWING NO:	
				REV:	
				SCALE:	
				SHEET: 4 OF 11	

6

5

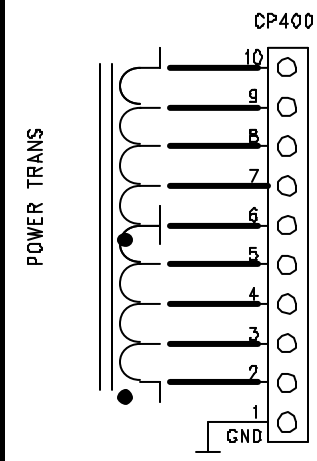
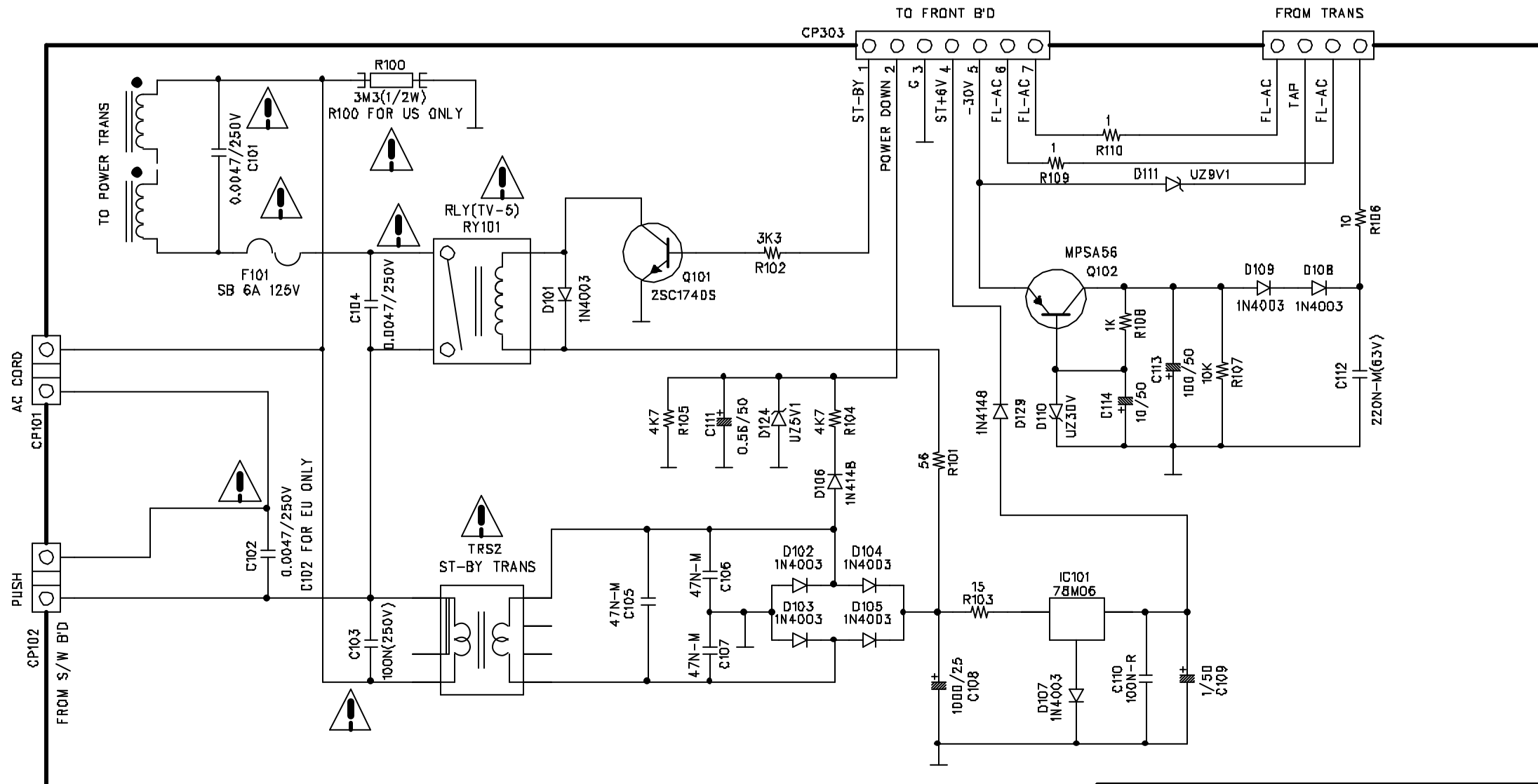
4

3

2

1

REVISION RECORD			
LTR	ECO NO:	APPROVED:	DATE:

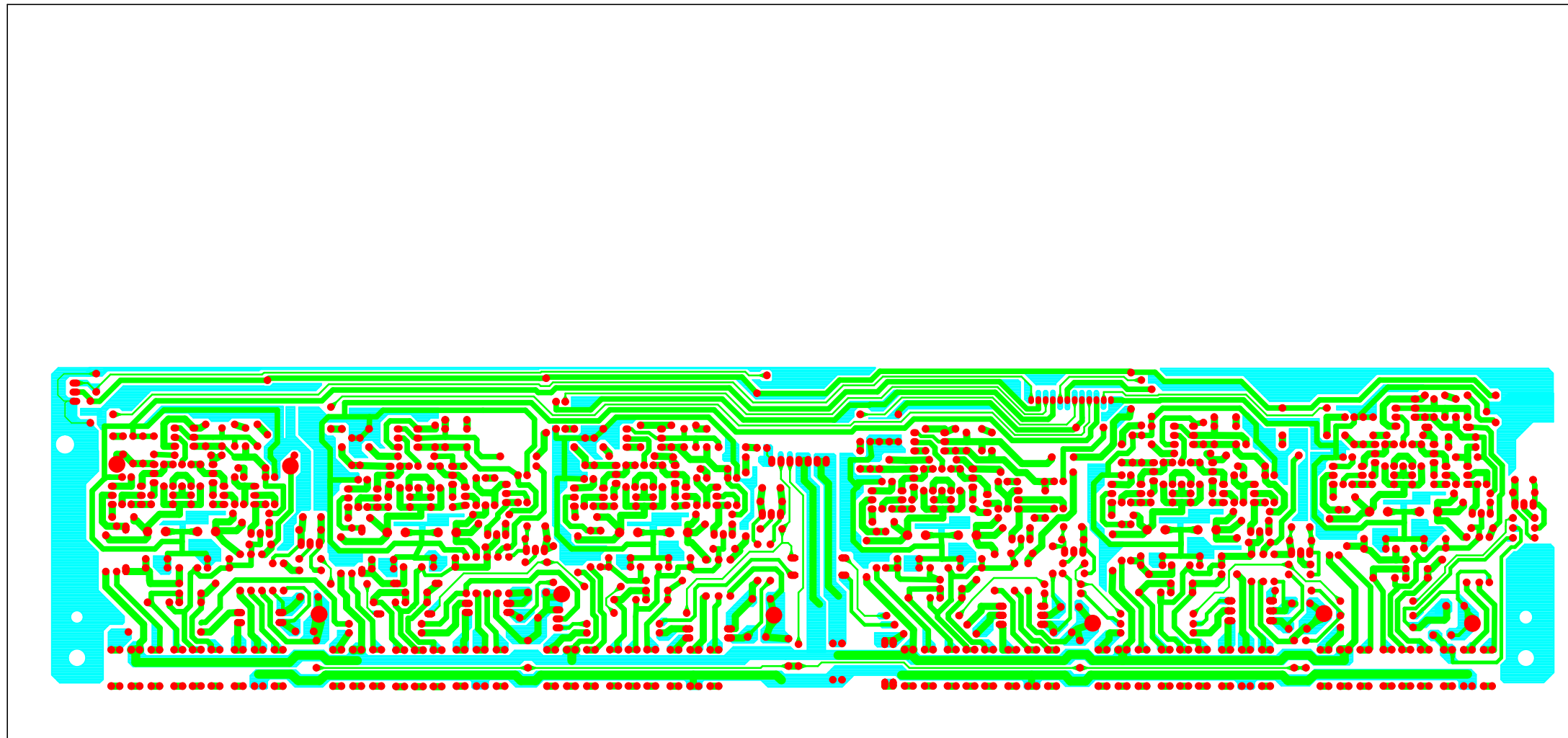


TO MAIN B'D

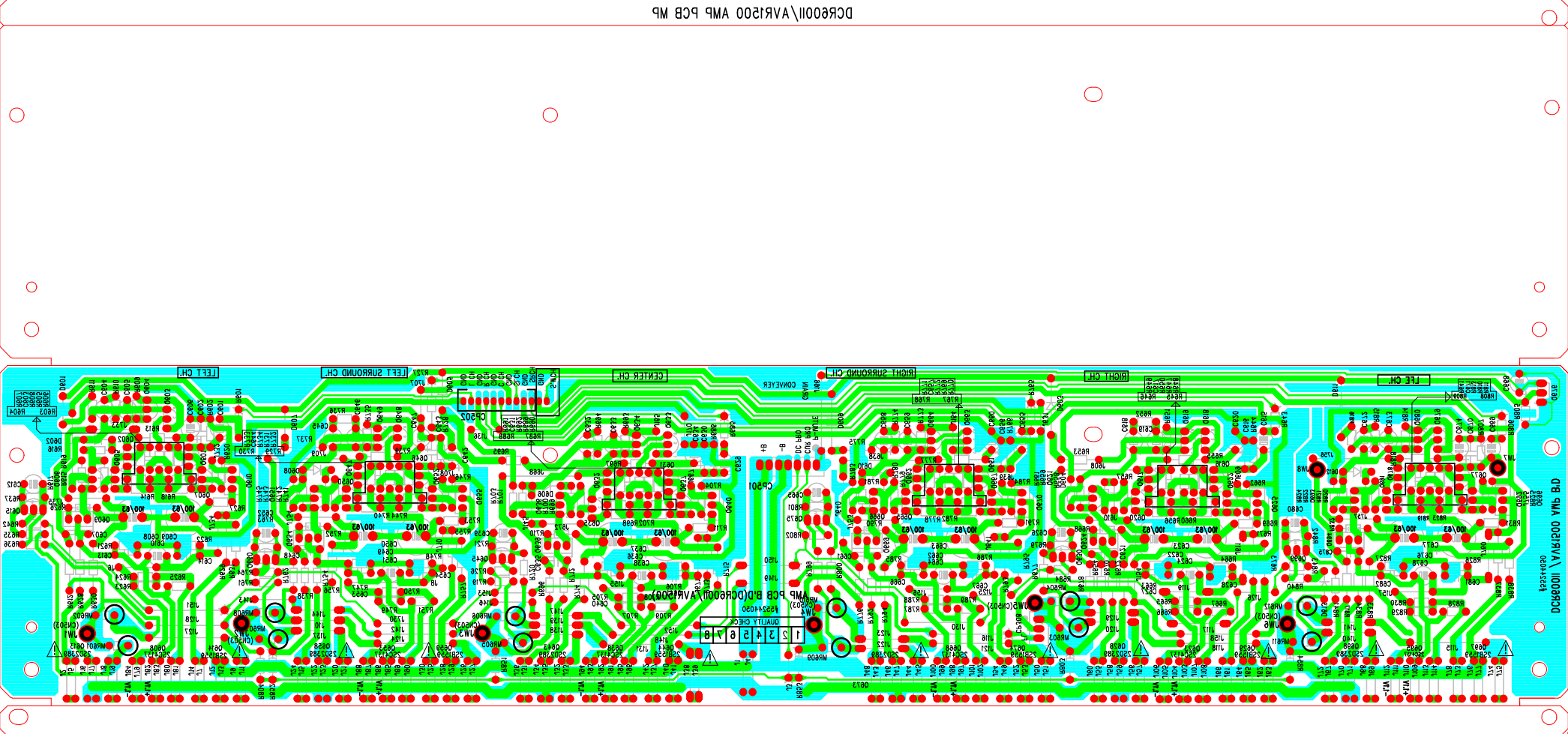
COMPANY:			
TITLE: <b>POWER B'D</b>			
DRAWN:	DATED: <b>2001.06.20</b>	CDDE:	SIZE:
CHECKED:	DATED:	DRAWING NO:	
QUALITY CONTROL:	DATED:		REV:
RELEASED:	DATED:	SCALE:	SHEET: OF



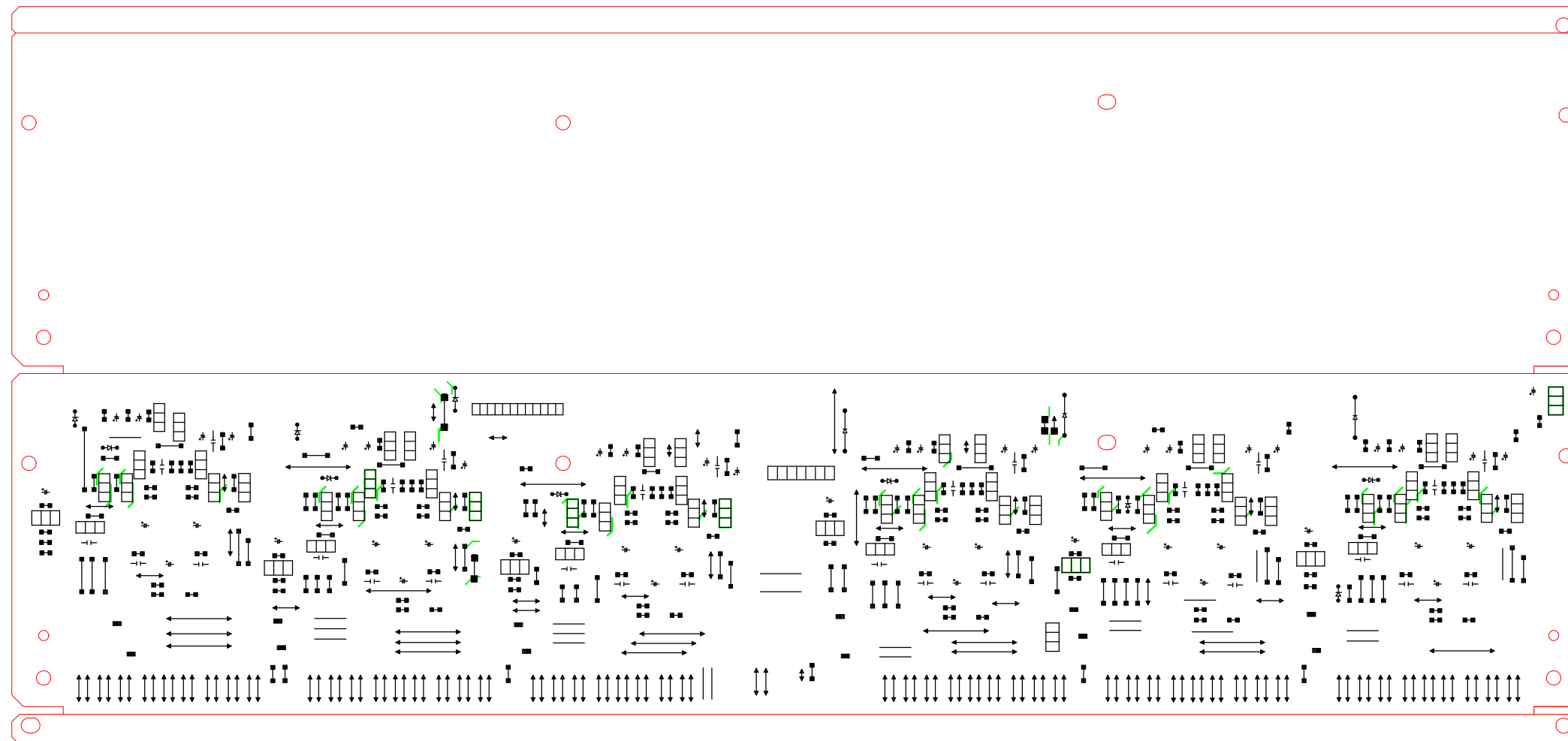
Power amp bot silk



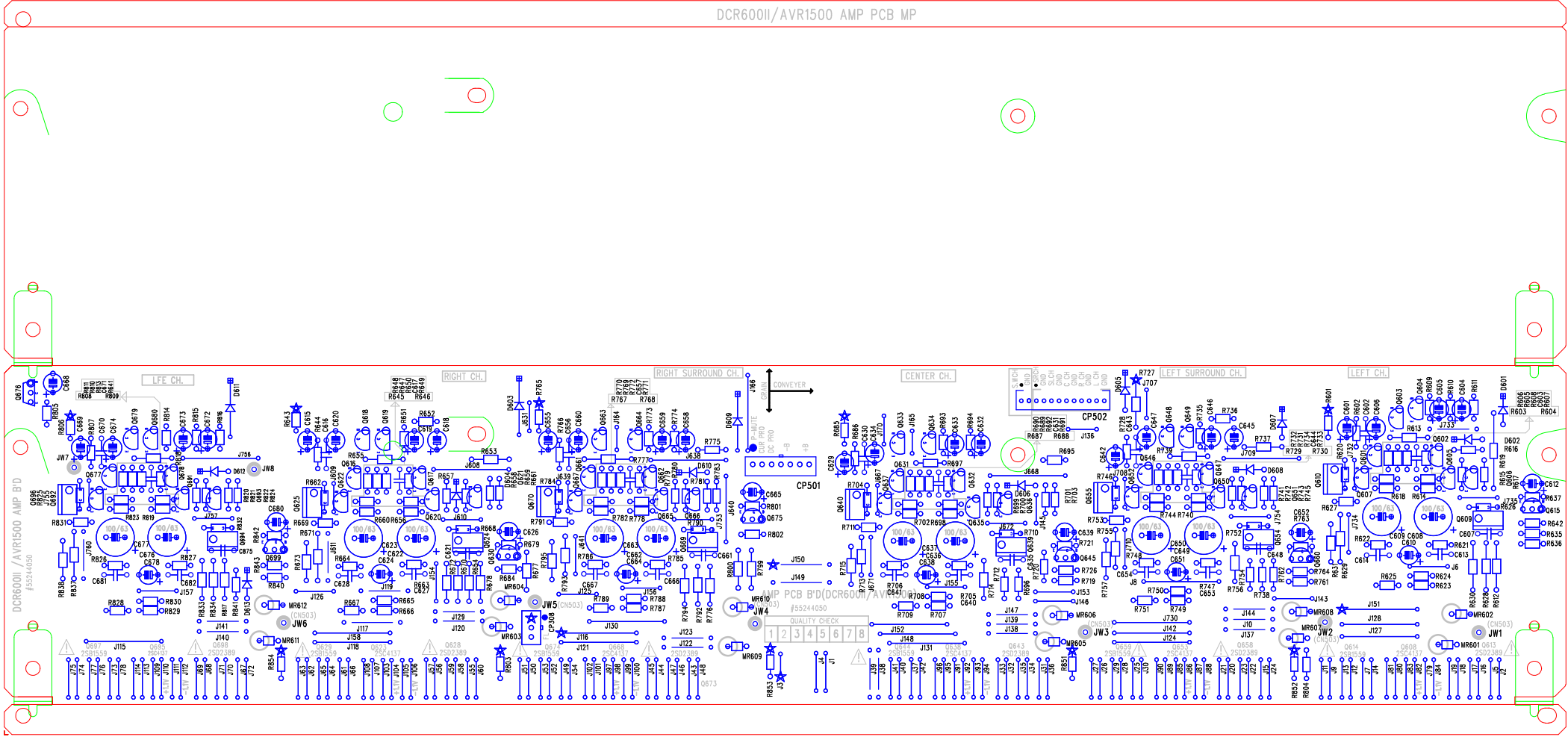
Power amp bot  
pattern



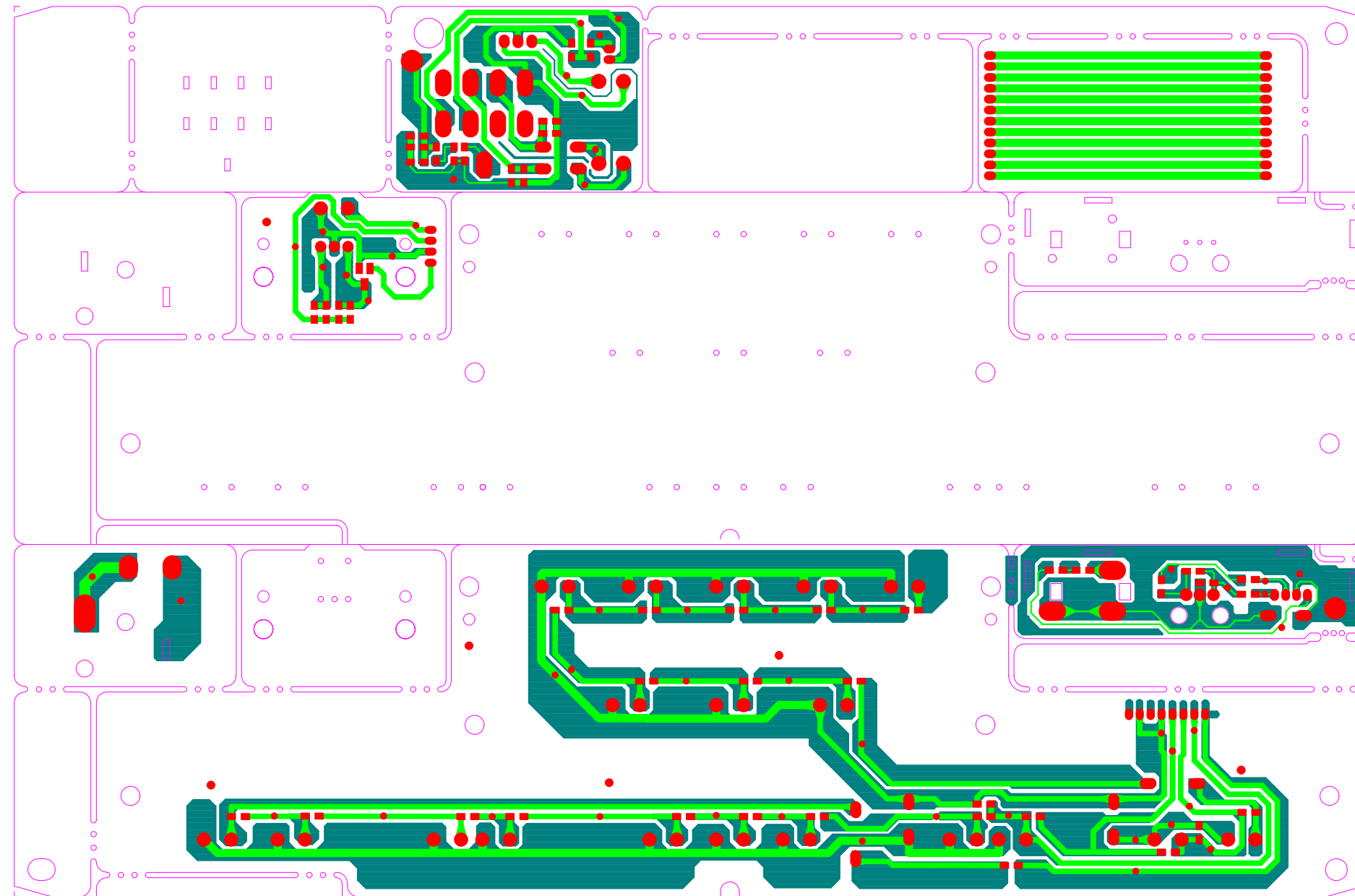
power amp pattern



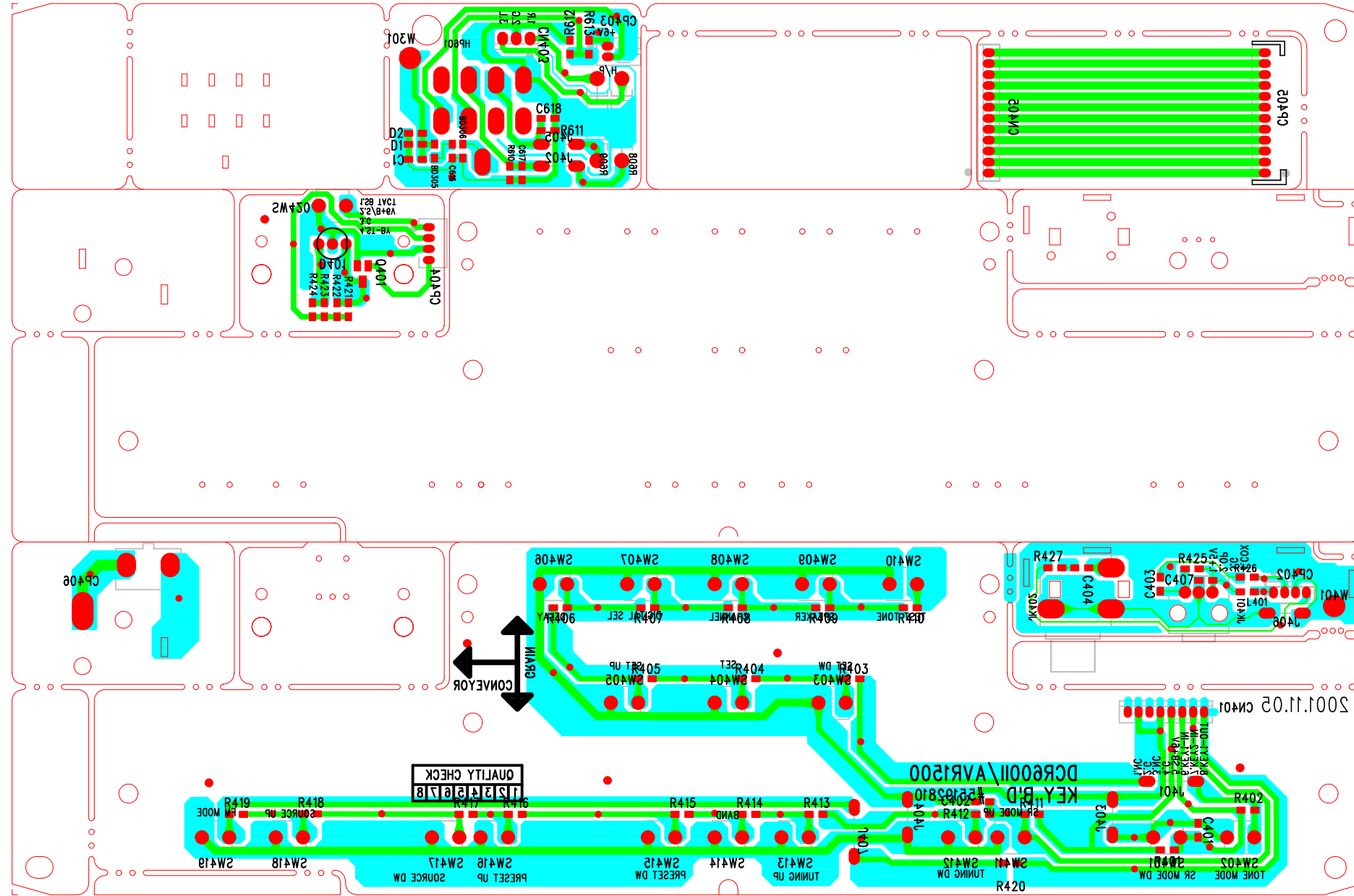
Power amp silk



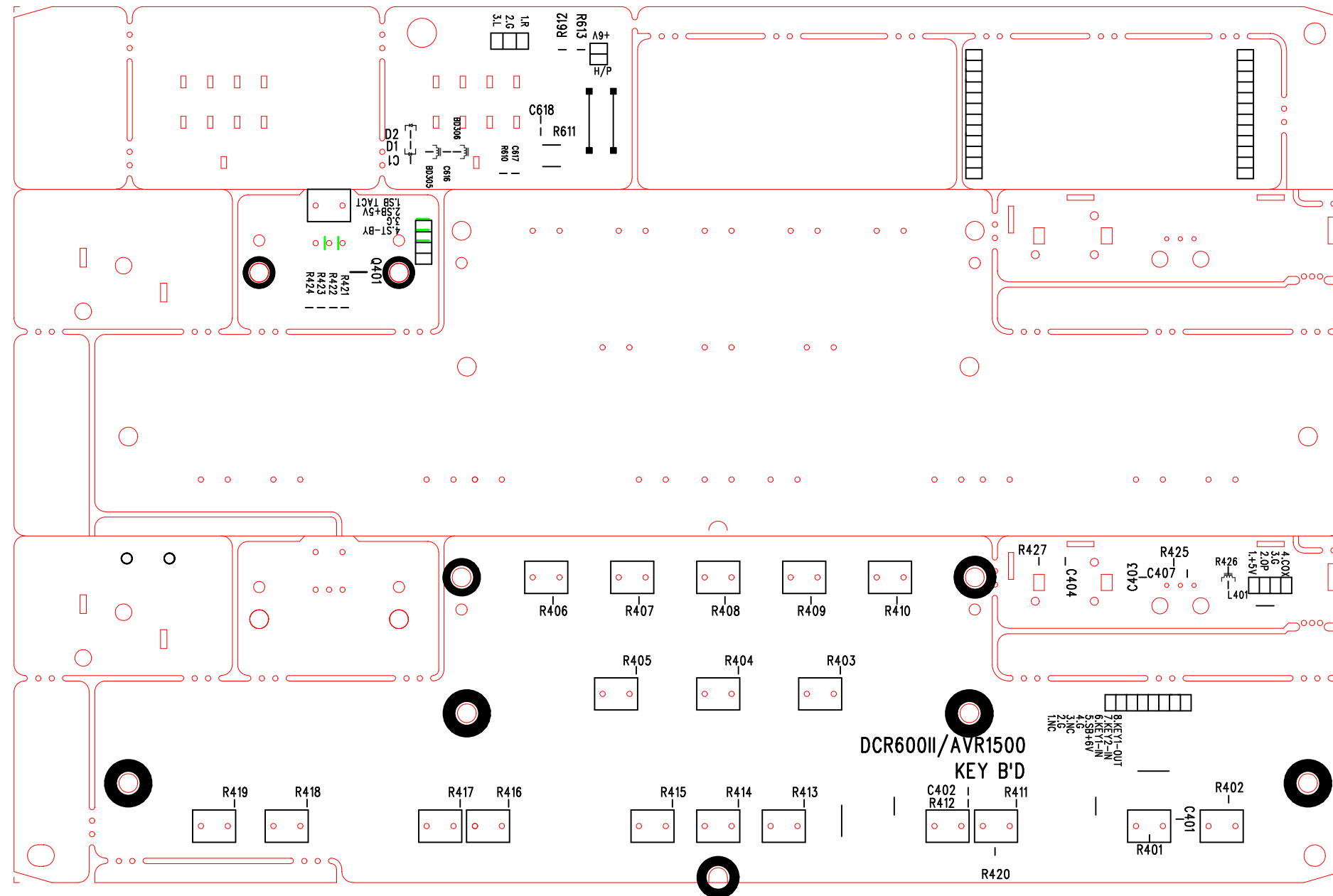
key bot p



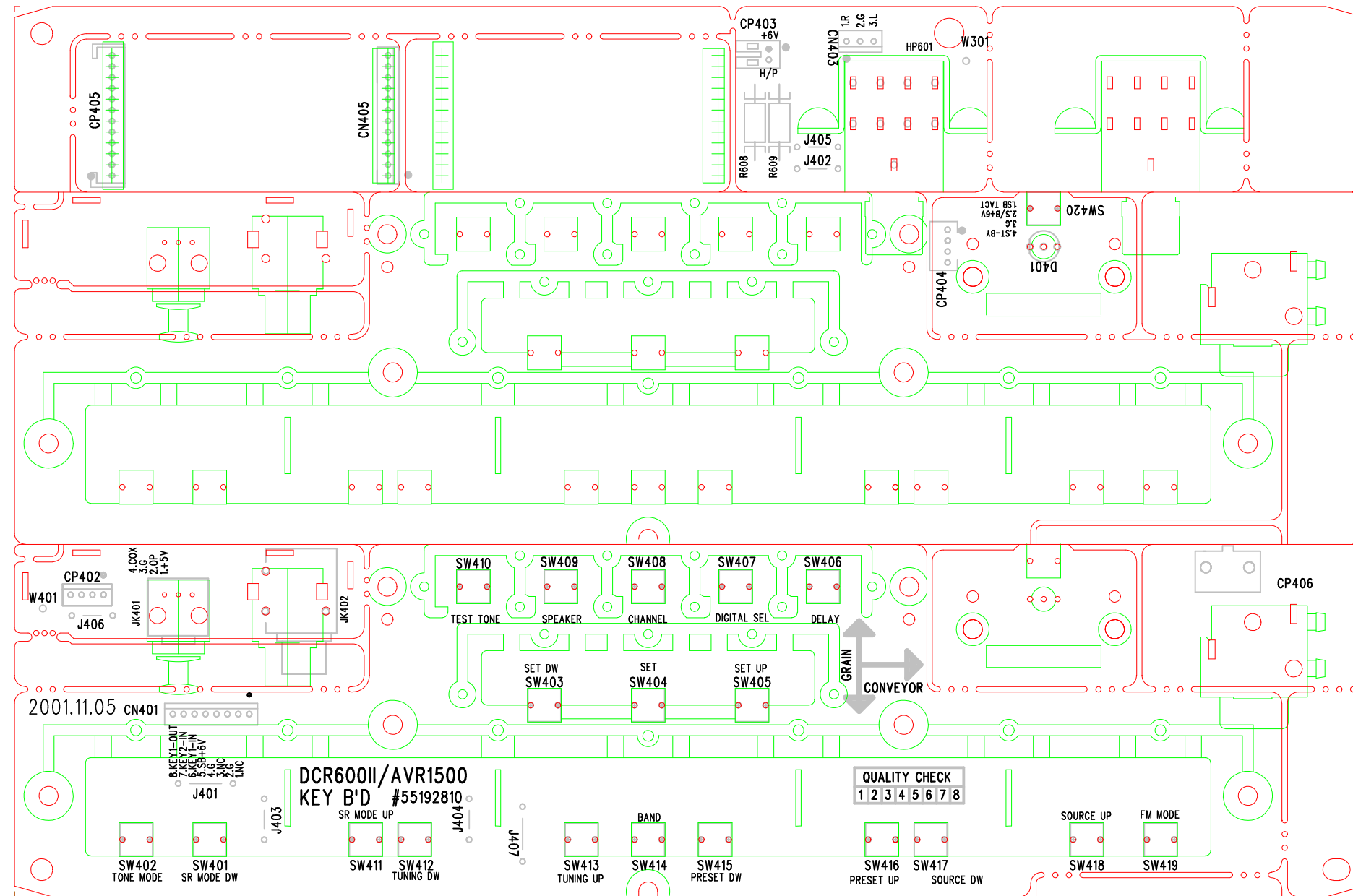
# Key botton pattern



key botton silk

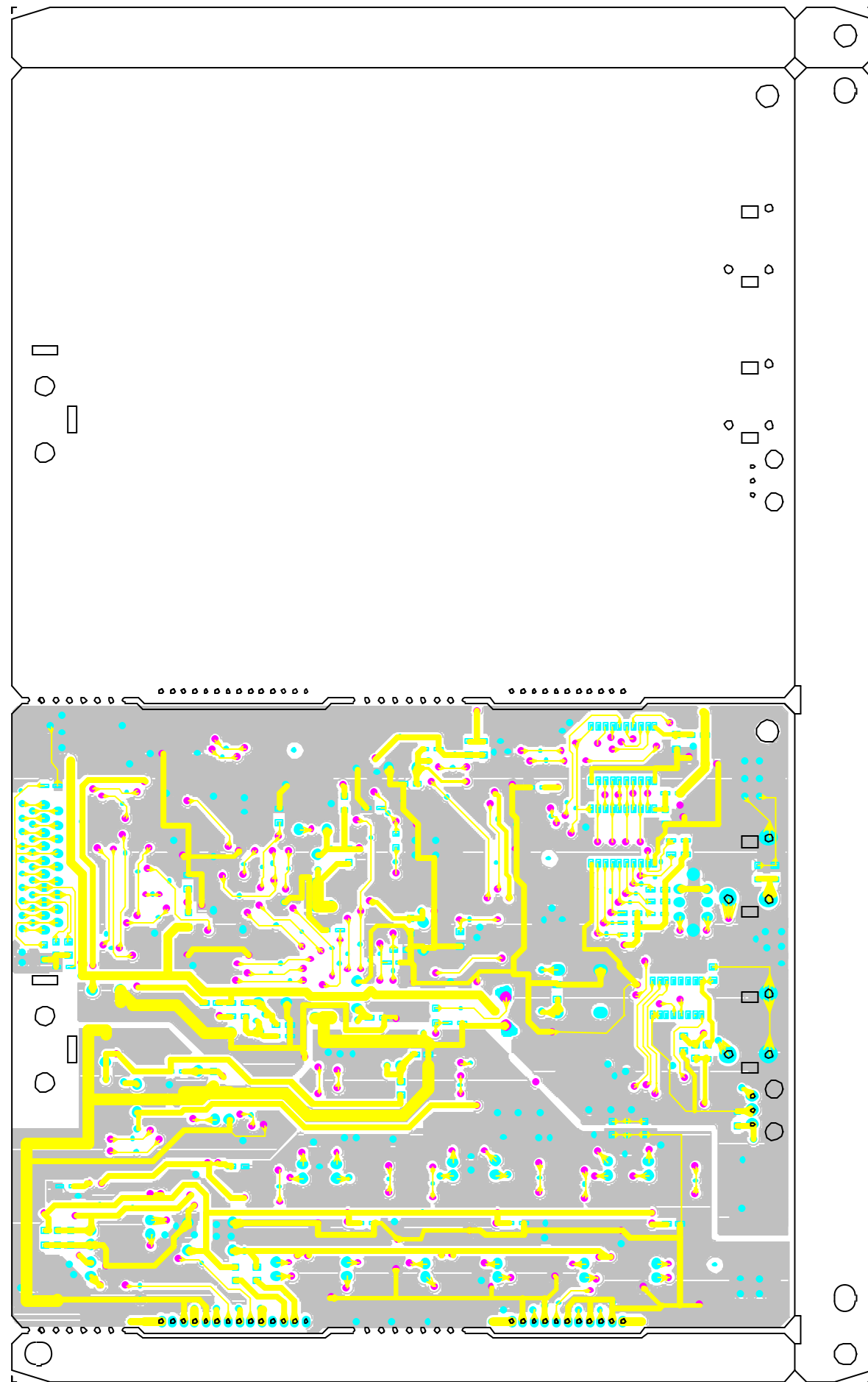


# Key top silk

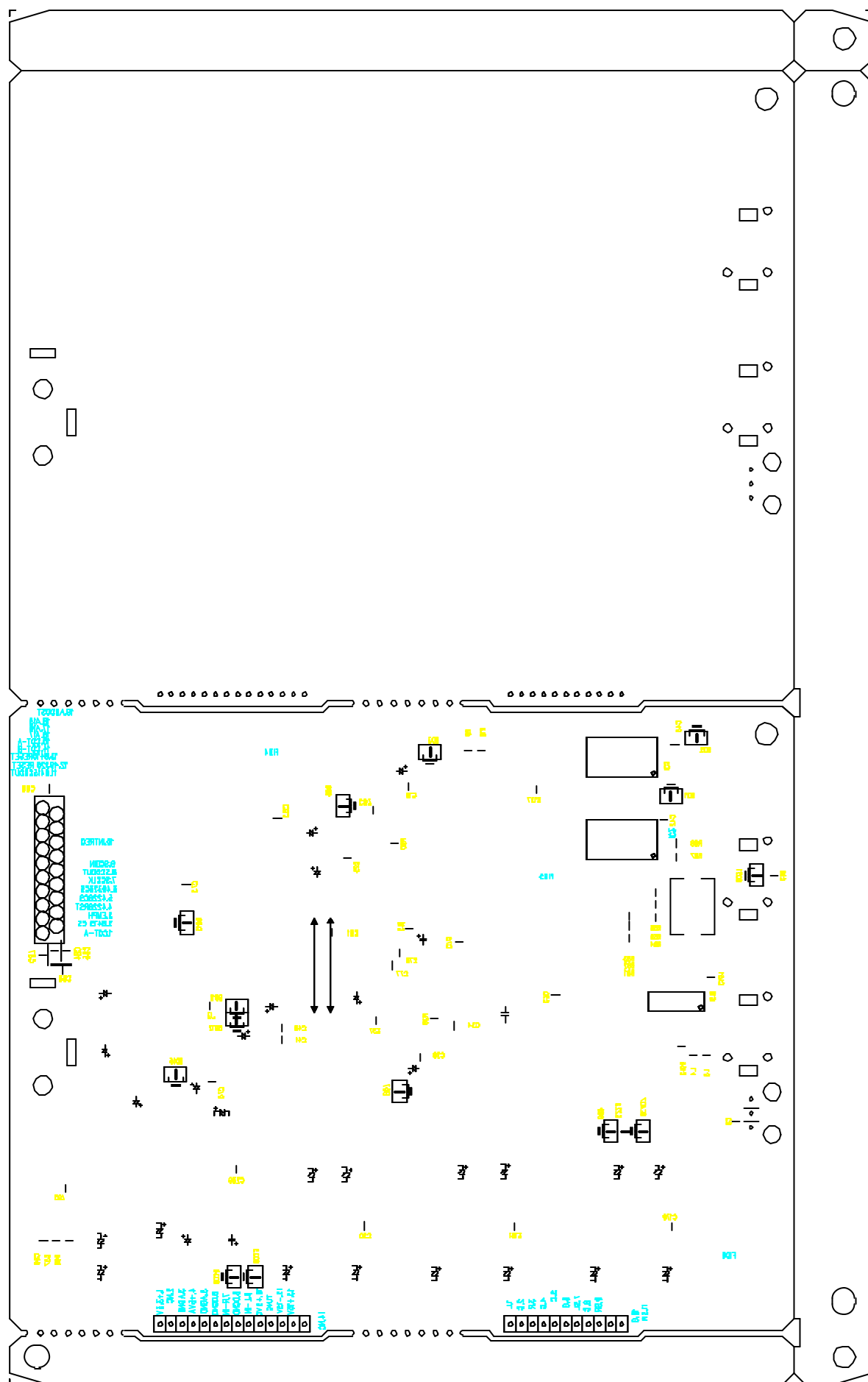




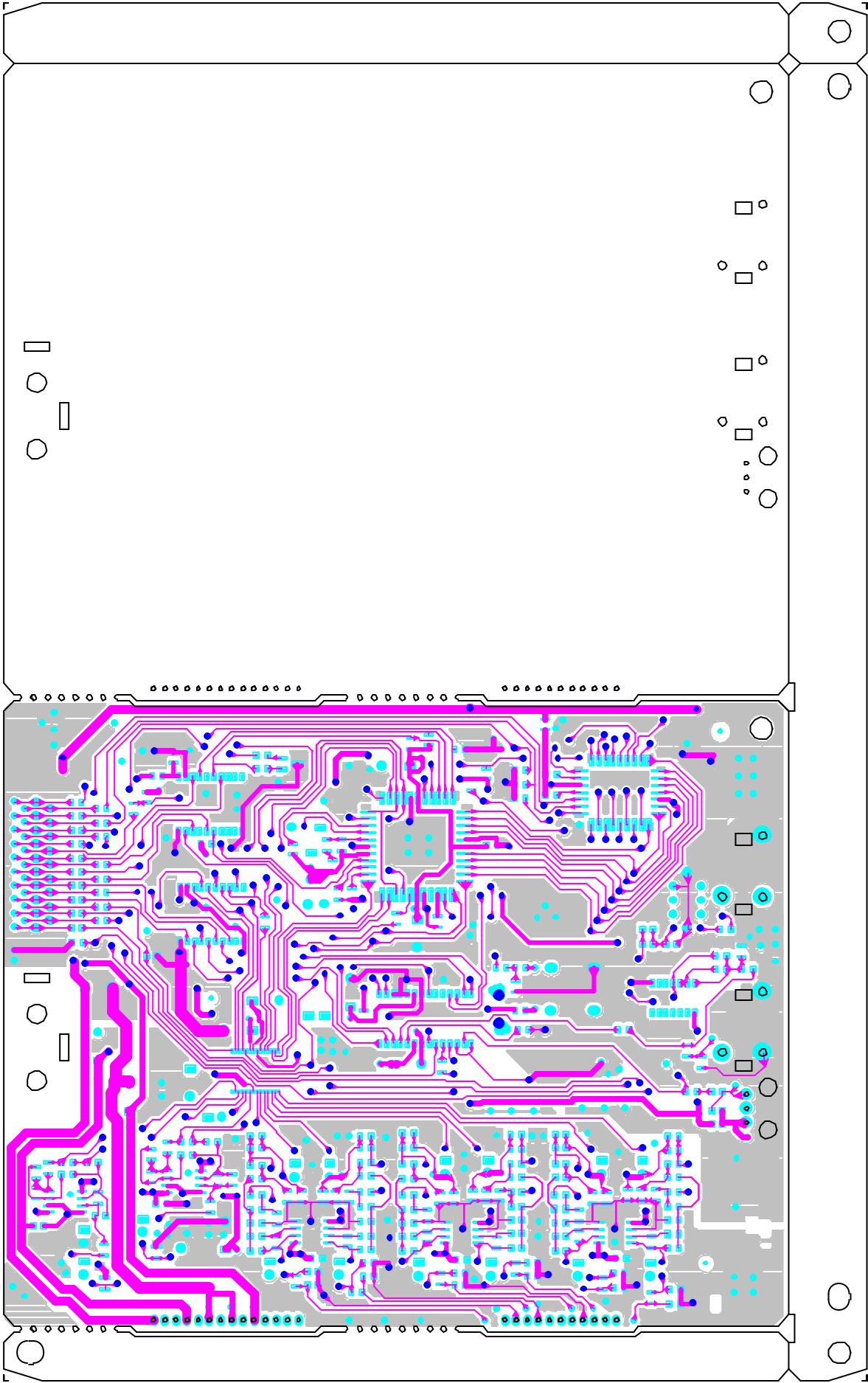
# DSP pattern



# DSP silk

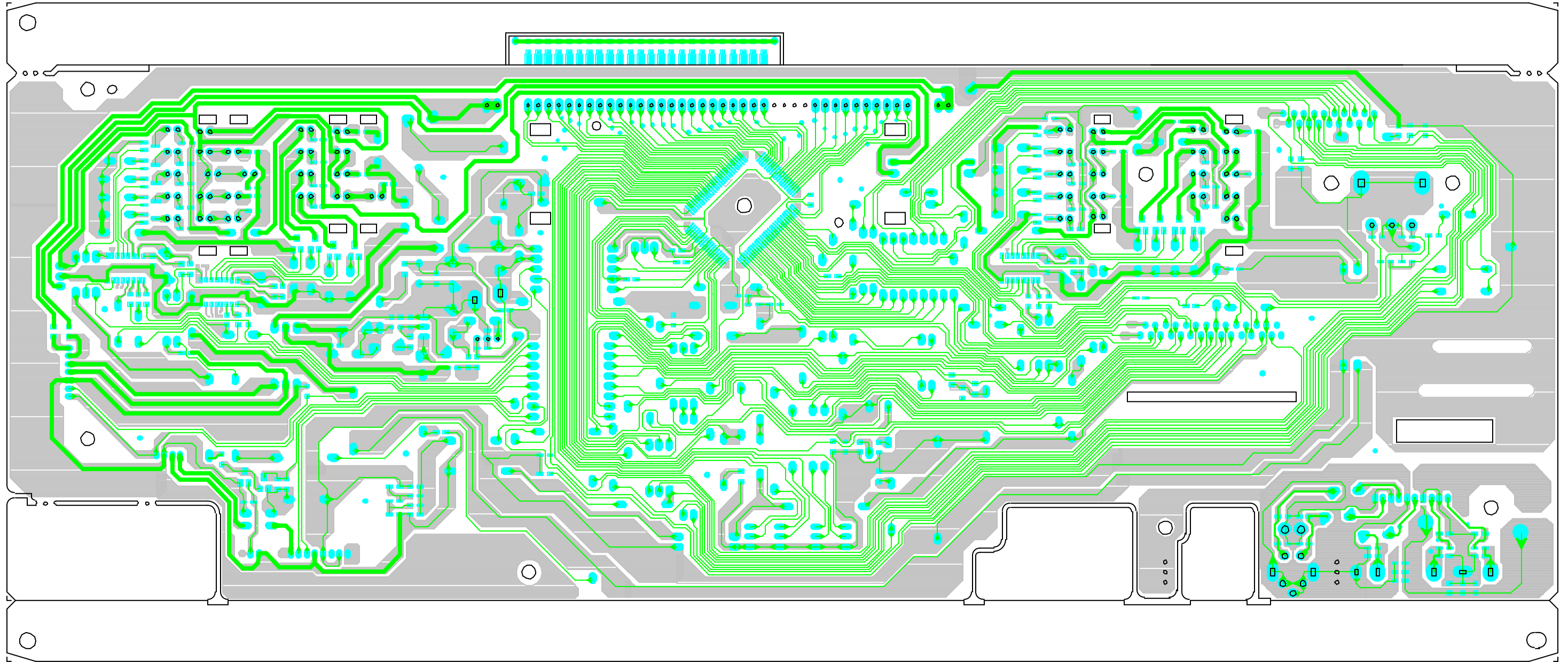


DSP top pattern

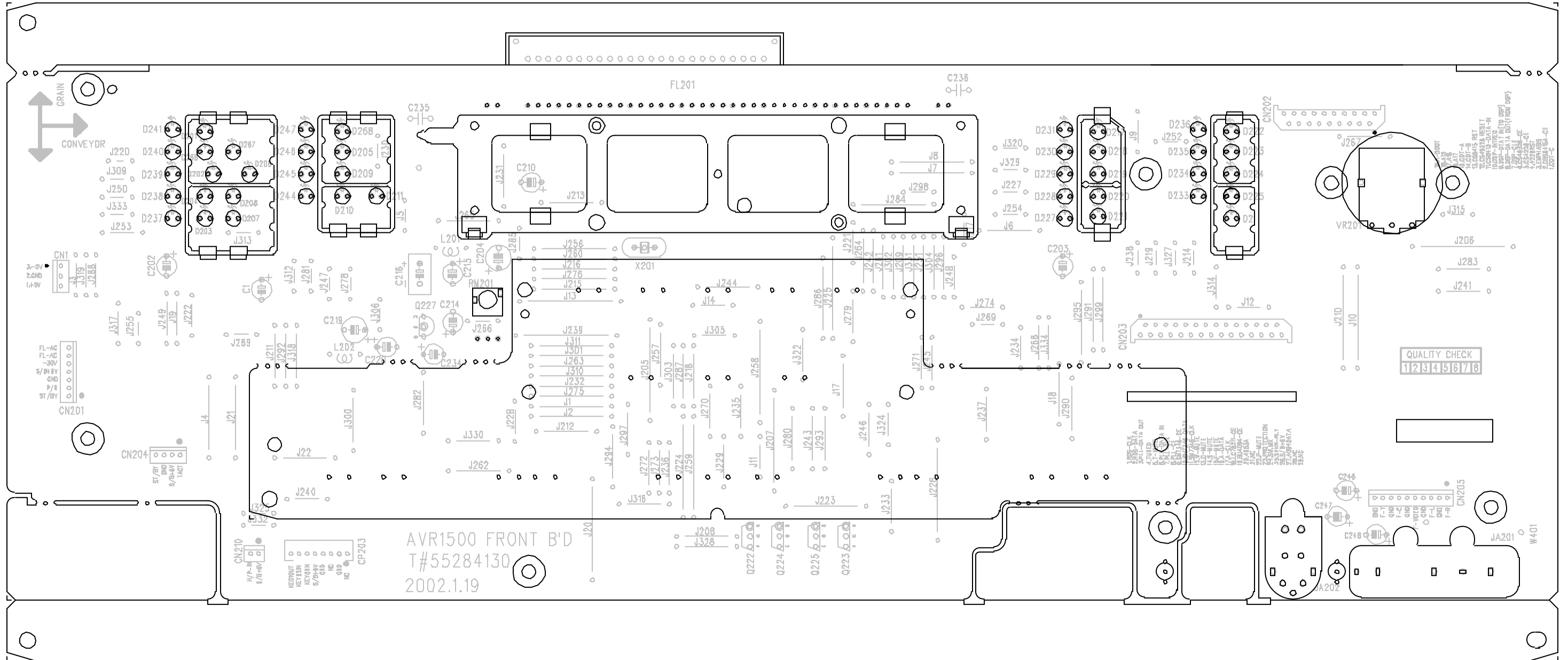




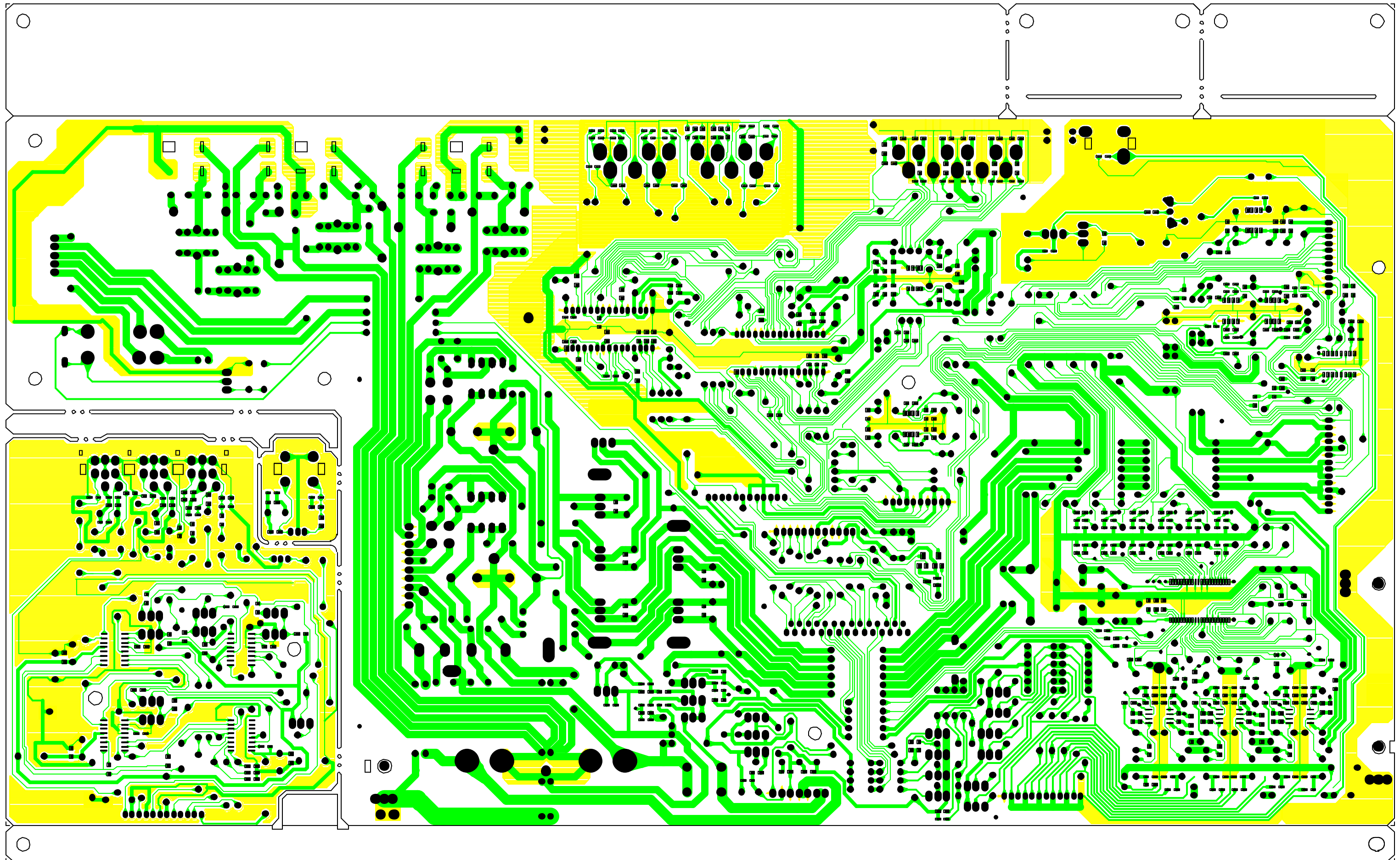
Front Pattern

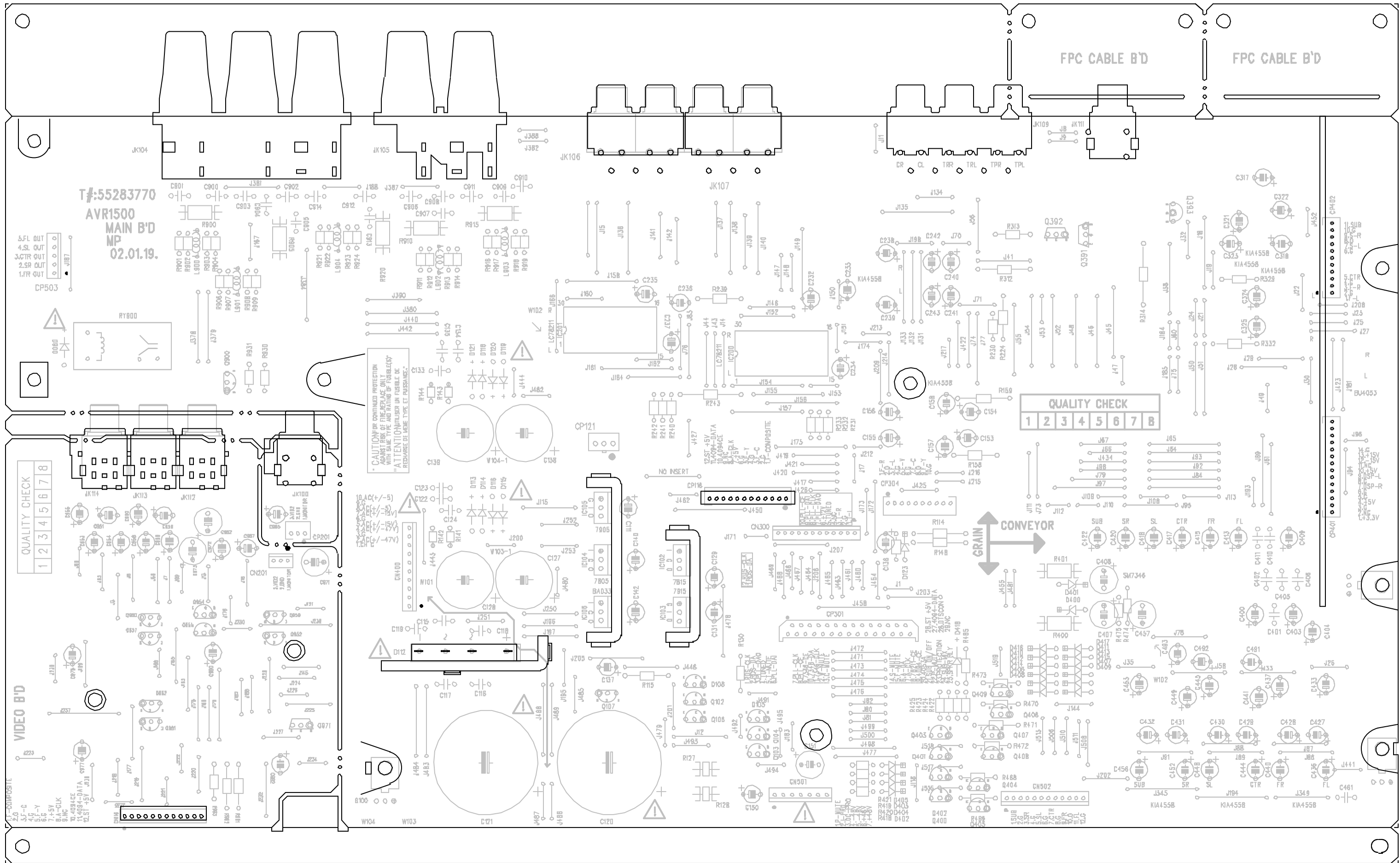


Front silk



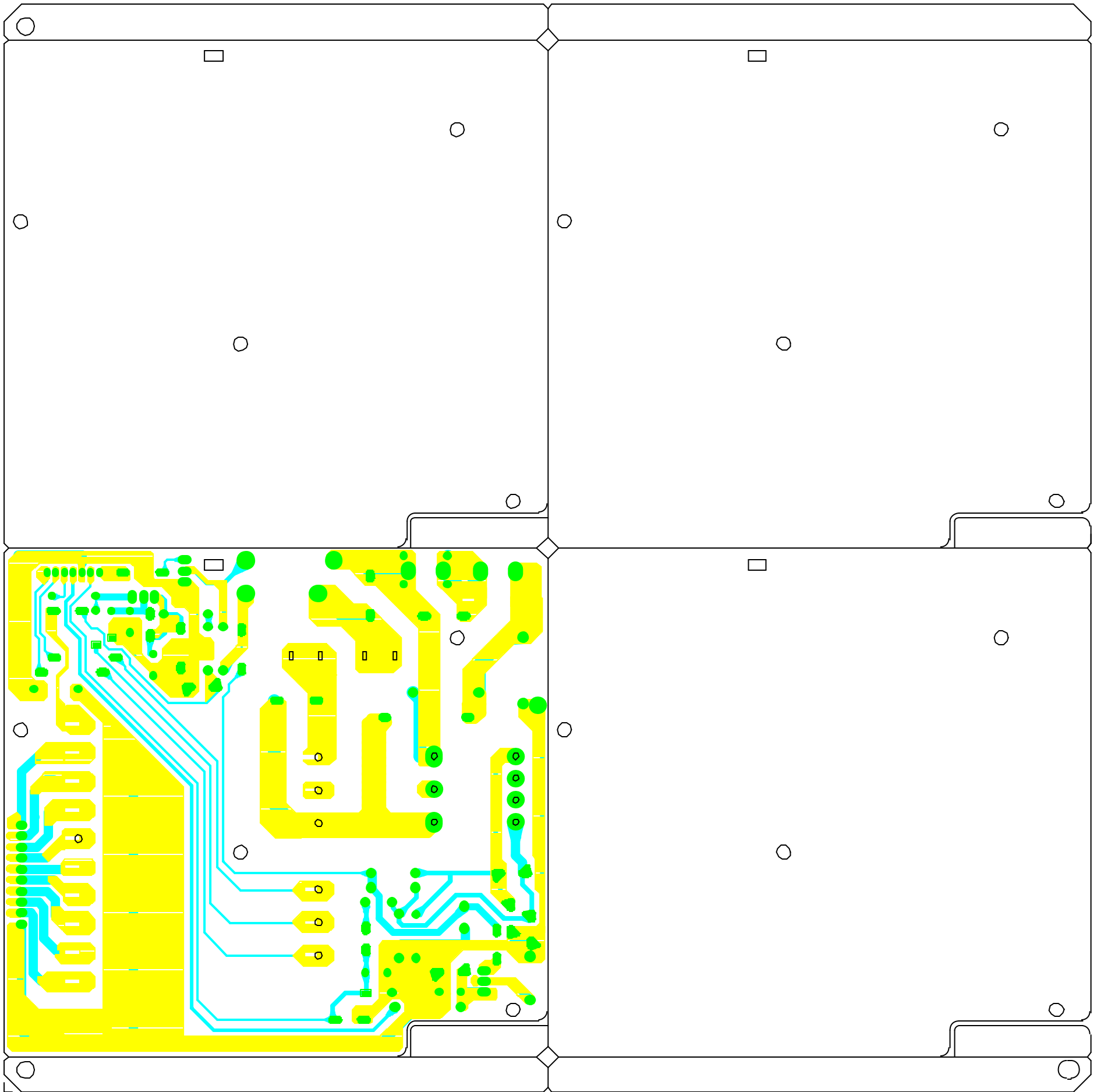
Main Pattern







# Power pattern



# Power silk

